

Product Range

The new generation  
of diaphragm valves



**+GF+**

**GEORG FISCHER**  
PIPING SYSTEMS



# Benefits

You can expect a great deal more from the new generation of diaphragm valves: More safety, simplicity and efficiency.

It began with the wish for something new. Out of this came something new for the market: safer, simpler and more efficient. Georg Fischer Piping Systems is revolutionizing your idea of a diaphragm valve.



## Safety

Where there is no metal, there is no corrosion. Just like in the new generation of diaphragm valves from GF Piping Systems. Instead of the usual four metal screws, the new diaphragm valve has only a central plastic housing nut. And what is the direct advantage of this? The corrosion-free connection guarantees homogeneous expansion when exposed to temperature variations, which eliminates the need to retighten the screws. This results in uniform surface pressure that guarantees tightness up to 16 bar operating pressure.



## Simplicity

Open or closed, automatic or manual: With flicks of the wrist the new diaphragm valve can increase flow or turn everything off completely. The lockable handwheel is a standard feature, the two-coloured position indicator shows the actual position of the diaphragm at a glance. Moreover, at the same time the upper housing section is the interface for a self-adjusting electrical position indicator. All the installation dimensions of the previous model were retained so it is backward compatible.



## Efficiency

What is your definition of efficiency? 10, 15 or even 20 percent more? The new generation of diaphragm valves offers 100 percent more flow. That means doubling the flow rate at constant energy consumption. The key lies in the optimized geometry of the valve body. At the same time, the new diaphragm valve has linear flow characteristics and thus guarantees both increased efficiency and constantly stable processes. The minimized dead space also provides maximal hygiene.

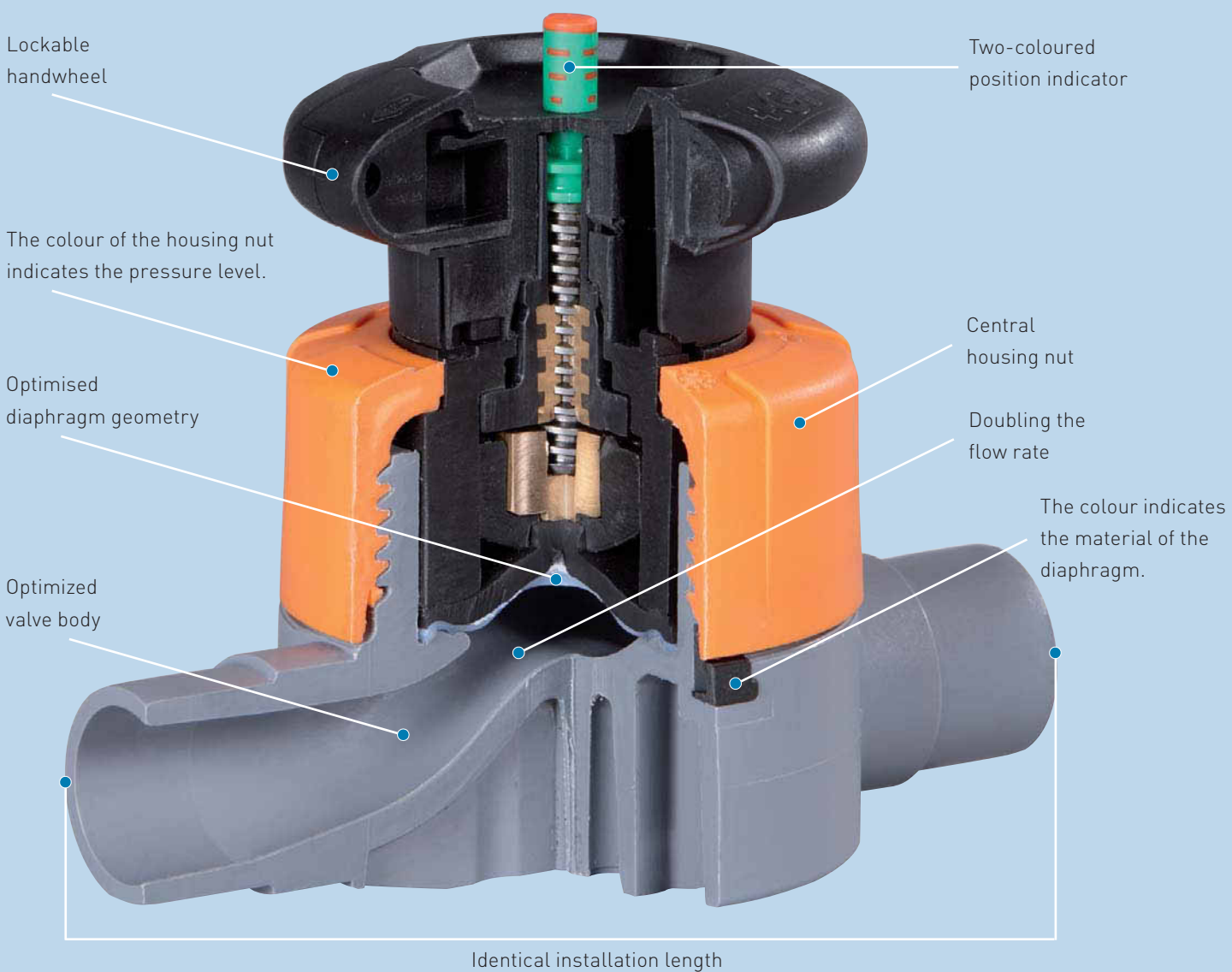
# Features

The sum of innovative developments guarantees the added value.

What is important and what isn't? GF Piping Systems asked about the requirements and that was the basis for developing the technical solutions. This way of proceeding is what makes the valve so extraordinary. In the new generation of diaphragm valves, there is something over and above

innovation in details that is crucial for success. The optimized valve body guarantees the sensational flow rate. The installation length is identical to the length in the previous model and this makes for problem-free backward-compatibility. The central housing nut holds everything together

with a new level of reliability. There are many other characteristics that make the new generation of diaphragm valves a globally successful product innovation.



Functions and configurations can differ from the illustration, depending on the type.

# The system

At a glance.

There are almost no limits to the applications of the new generation of diaphragm valves. Regardless of whether it is the manual or the pneumatic valve.



Retrofitting of the feedback unit.



## Materials

The application determines the material. Therefore, for optimal reliability, we offer you the choice of these materials: PVC-U, PVC-C, ABS as well as PP-H, PP-n and PVDF. With diaphragm materials available in EPDM, PTFE, FPM and NBR, the valves can be utilized with almost all chemicals.

## Connections

Do you need a true union valve with solvent cement socket, do you want to weld in the valve, do you have to create a threaded connection to existing components of the plant or does the standard call for a specific flange? We help you with the right answer for a reliable connection.

## International standards

No matter where you intend to use your valves, compatibility is obligatory. We ensure worldwide connection with international standards such as ISO, BS, ASTM, ANSI and JIS.

## Standardization

Compliance with international standards:

### prEN ISO 16138

Industrial valves –  
Diaphragm valves made of thermoplastics.

### ISO9393

Valves made of thermoplastics.  
Pressure test and requirements.

### EN558

Installation length of diaphragm valves corresponds to EN558.

### Approval reported:

DIBt, W270, KTW, FDA and others.

## Electrical feedback

In modern plant automation, process monitoring is increasing in importance. The optional electrical feedback can be easily assembled in a few steps.

- Removal of handwheel
- Attachment of electrical position indicator
- Attachment of handwheel
- Wiring of plugs
- One-time opening/closing of the valve for calibration.

# System details

A product innovation that is more than the sum of its details.

The focus of the innovation was not the technical details but rather the absolute customer requirements. GF Piping Systems developed technical solutions in response to these requirements. The result can be seen in the details.



Optimised flow geometry.

## Central housing nut

Proven for decades in threaded unions and now applied to the housing: Simple, even surface pressure, no retightening. Very important: The uniform expansion with temperature changes of the plastic-plastic connection prevents leaks.

## Uniform diaphragm interface

Simplified spare parts, easy exchange, enormous flexibility: The diaphragm interface was constructed in such a way that the threaded connection does not transfer pressure forces to the diaphragm pin.

## Two-coloured position indicator

How far is my valve opened? The clearly visible two-coloured position indicator shows the actual position at a glance from a distance.

## Locking

Is the process set? Secure it against undesired tampering with the integrated locking mechanism and with a padlock. In normal operation,

the lock mechanism disappears in the handwheel, so that the ergonomics are not impeded.

## Optimised flow geometry

An optimised flow geometry with soft transitions and radii doubles the flow rate compared to a typical diaphragm valve. The control characteristics are almost linear.

A worldwide unique manufacturing procedure makes this possible. It also provides maximal hygiene with minimized dead space. With no disruptive flow turbulence, noise and wear and tear are significantly decreased.

In addition to reduced pressure losses, an optimised flow rate also means that energy is conserved, and this lowers operating costs.



Clearly visible position indicator.



Handwheel unlocked.



Handwheel locked.

# The DIASTAR system

Simple automation.

GF Piping Systems has the optimal actuator configuration for your individual needs. You can rely on the pneumatic DIASTAR valves.



DIASTAR Six

## **DIASTAR Six**

Are you looking for a cost-effective solution with a long working life for elastomer diaphragms up to 6 bar? Then you are on the right track with DIASTAR Six. It combines high quality with the basic functions of a pneumatic actuator. Its compact construction is also an advantage.



DIASTAR Ten

## **DIASTAR Ten**

Optimally suited for all standard applications up to 10 bar requiring integration of accessories. Uncomplicated integration into the plant automation is possible through the appropriate interface. DIASTAR Ten also offers the possibility of using a PTFE diaphragm. The cost-benefit ratio is unbeatable.



DIASTAR Sixteen

## **DIASTAR Sixteen**

This is our strongest one. It guarantees reliable control of operating pressures up to 16 bar. Are you looking for maximal reliability? And do you want an integrated accessory interface for simple system integration?

Then DIASTAR Sixteen is the right choice.

## **Variety of accessories**

Individual solutions must also fit individual requirements; otherwise they are not solutions. For your modern plant automation, we offer the appropriate variety of accessories:

- 3/2-way pilot valves for single acting valves
- 5/2-way pilot valves for double acting actuators
- Valve clusters for rational automation with interfaces for the common bus protocols
- AS interface for simple bus communication
- Stroke limiter for fine adjustment and manual override
- Electrical position indicator with self-adjusting limit switches
- Positioner for demanding regulation applications



# Details DIASTAR

The right actuator for every situation. It's quality is already well-known and now further optimised.

Building on the design of the manual valve, the pneumatic actuators from GF Piping Systems have also been thoroughly reworked. The result of this development can also be seen in the details.



Comprehensive accessory assortment.



The rotary air connections permit compact installation of the unit.

## Appropriate actuator and accessories

A long diaphragm working life is fundamental for the reliability of your application. That is why we offer you the right DIASTAR to correspond to your application with the use of 3, 4, or 6 spring assemblies for high closing forces and with integrated fixed stop in the actuator to avoid overloading the diaphragm. The low maintenance piston actuators with double spindle guide allows a long working life.

## Rotary air connection

In tight installation locations the actuators may be assembled back to back. The air connection can be turned to the desired position in 90° steps in all actuators.

## Housing material

The fibreglass-reinforced PP housing material ensures that your actuator will withstand aggressive environmental conditions. Extensive use of plastics and stainless steel protects the interior of the valve.

## Mechanical interface

The DIASTAR Ten and Sixteen both have a mechanical interface to which accessories can be attached without difficulty. This is essential, since the actuation technology is an integral component of the total plant control. Our accessory program offers you a number of options for equipment that responds to your requirements. Self-adjusting limit switches, positioner, solenoid pilot valves, valve clusters with bus communication, AS-i-control heads and more.



Fixed stop and spring assemblies for a longer valve working life.



# Table of contents

	Page
PVC-U metric	12
PVC-U metric silicone free/paintcompatible and oil free	27
PVC-U Inch BS	30
PVC-U ASTM/ANSI	35
PVC-U ASTM/ANSI/BS silicone free/paintcompatible	47
PVC-U JIS	49
PVC-U JIS silicone free/paintcompatible and oil free	61
PVC-C metric	68
PVC-C ASTM/ANSI/BS	80
PVC-C ASTM/ANSI silicone free/paint compatible	90
PVC-C JIS	92
ABS metric	93
ABS Inch BS	104
PROGEF Standard metric	109
PROGEF Standard ASTM/ANSI	133
PROGEF Standard JIS	139
PROGEF Natural	145
PROGEF Plus JIS	151
PROGEF Plus metric/ASTM/ANSI/BS	157
SYGEF Standard metric/ASTM/ANSI	161
SYGEF Standard JIS	181
SYGEF Plus metric/ASTM/ANSI	186
Spare parts	196



# Copiable Configurator +GF+ Diaphragm Valve

## Valve body type

- A20 Type 514 - True Union Design
- A21 Type 515 - Spigots
- A22 Type 517 - Flanges

## Material

- B01 PVC-U
- B02 PVC-C
- B03 ABS

## Dimension

- C05 DN 10 3/8"
- C06 DN 15 1/2"
- C07 DN 20 3/4"
- C08 DN 25 1"
- C09 DN 32 1 1/4"
- C10 DN 40 1 1/2"
- C11 DN 50 2"

## Version

- D11 standard
- D05 silicone free / oil free

## Diaphragm

- E01 EPDM
- E02 FPM
- E11 NBR
- E12 PTFE/EPDM
- E04 PTFE/FPM

## Connecting parts

- H01 PVC-U Cemented socket metric
- H02 PVC-U Cemented socket JIS
- H03 PVC-U Cemented socket ASTM
- H04 PVC-U Cemented socket Zoll BS
- H05 PVC-U Cemented spigot metric
- H06 PVC-U Threaded socket Rp (ISO)
- H08 PVC-U Threaded socket Rc (JIS)
- H09 PVC-U Threaded socket NPT (ASTM)
- H11 PVC-C Cemented socket metric
- H13 PVC-C Cemented socket Zoll ASTM
- H14 PVC-C Cemented spigot metric
- H20 ABS Cemented socket metric
- H21 ABS Cemented socket Zoll BS
- H24 ABS Cemented spigot metric
- H40 PE-80 Fusion socket metric
- H41 PE-100 Butt fusion spigot SDR11 metric
- H43 PE-100 Butt fusion spigot long SDR11 metric
- H62 Fixed flange PVC-U JIS
- H70 Backing flange PVC-U metric with PVC-U endings
- H71 Backing flange PVC-U Zoll ANSI with PVC-U endings
- H71 PVCC Backing flange PVC-U Zoll ANSI with PVC-C endings
- H72 PVCC Backing flange PP-steel metric with PVC-U endings
- H72 PVCC Backing flange PP-steel metric with PVC-C endings
- H72 ABS Backing flange PP-steel metric with ABS endings
- H73 PVCC Backing flange PP-steel Zoll ANSI with PVC-U endings
- H73 PVCC Backing flange PP-steel Zoll ANSI with PVC-C endings
- H73 ABS Backing flange PP-steel Zoll ANSI with ABS endings
- H74 PVCC Backing flange PP-V metric with PVC-U endings
- H74 PVCC Backing flange PP-V metric with PVC-C endings
- H74 ABS Backing flange PP-V metric with ABS endings
- H74 PVCC Backing flange PP-V metric with PVC-C endings
- H75 PVCC Backing flange PP-V ANSI with PVC-U endings
- H75 PVCC Backing flange PP-V ANSI with PVC-C endings
- H78 PVCC Backing flange PP-GF JIS with PVC-U endings
- H80 PVC-U valve end blank

## Electrical feedback

- I33 Electrical feedback with Ag, Ni limit switches
- I34 Electrical feedback with Au limit switches

## Manual actuated: pressure tight housing

- K30 Bonnet pressure tight
- K31 Bonnet not pressure tight

## Pressure range

- M01 PN10
- M02 PN16

## Example:

Diaphragm valve with valve body type 515, PVC-U, EPDM diaphragm, DN25, cemented spigots metric, electrical feedback, pressure tight housing, PN10



**A21 B01 C08 D11 E01 H05 I33 K30 M01**

**P =**

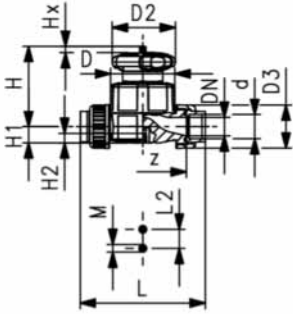


## Pneumatic Actuator DIASTAR

- P40 DIASTAR Six FC fail safe to close
- P43 DIASTAR Ten FC fail safe to close
- P44 DIASTAR Sixteen FC fail safe to close
- P45 DIASTAR Sixteen FO fail safe to open
- P46 DIASTAR Sixteen DA double acting
- P47 DIASTAR Ten FO fail safe to open
- P48 DIASTAR Ten DA double acting

# Diaphragm valves new generation

## Diaphragm valve type 514 PVC-U With solvent cement sockets metric



### Model:

- Double flow rate compared to predecessor
- One housing nut replaces four screws
- Handwheel with built-in locking mechanism
- For easy installation and removal
- Short overall length

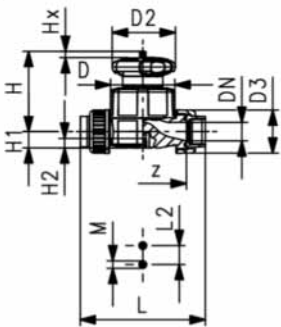
### Option:

- Individual configuration of the valve (see diagram)
- Self adjusting multifunctional module with integrated limit switches
- PN16 available as a configuration

d [mm]	DN [mm]	PN	kv-value ( $\Delta p=1$ bar) [l/min]	NBR Code	EPDM Code	PTFE/EPDM Code	FPM Code
16	10	10	125	161 514 001	161 514 011	161 514 031	161 514 061
20	15	10	125	161 514 002	161 514 012	161 514 032	161 514 062
25	20	10	271	161 514 003	161 514 013	161 514 033	161 514 063
32	25	10	481	161 514 004	161 514 014	161 514 034	161 514 064
40	32	10	759	161 514 005	161 514 015	161 514 035	161 514 065
50	40	10	1263	161 514 006	161 514 016	161 514 036	161 514 066
63	50	10	1728	161 514 007	161 514 017	161 514 037	161 514 067

d [mm]	D [mm]	D2 [mm]	D3 [mm]	L [mm]	L2 [mm]	H [mm]	H1 [mm]	H2 [mm]	M	z [mm]	Lift = Hx [mm]
16	65	65	43	124	25	73	14	12	M6	96	7
20	65	65	43	128	25	73	14	12	M6	96	7
25	80	65	51	152	25	81	18	12	M6	114	10
32	88	87	58	166	25	107	22	12	M6	122	13
40	101	87	72	192	45	115	26	15	M8	140	15
50	117	135	83	222	45	148	32	15	M8	160	19
63	144	135	100	266	45	166	39	15	M8	190	25

## Diaphragm valve type 514 PVC-U With threaded sockets Rp



### Model:

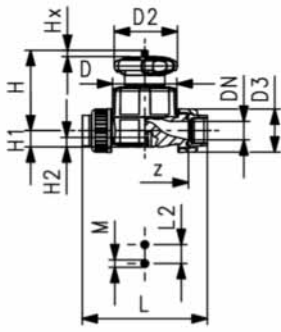
- Double flow rate compared to predecessor
- One housing nut replaces four screws
- Handwheel with built-in locking mechanism
- For easy installation and removal
- Short overall length

### Option:

- Individual configuration of the valve (see diagram)
- Self adjusting multifunctional module with integrated limit switches
- PN16 available as a configuration

Rp [inch]	DN [mm]	PN	kv-value ( $\Delta p=1$ bar) [l/min]	NBR Code	EPDM Code	PTFE/EPDM Code	FPM Code
1/2	15	10	125	161 514 402	161 514 412	161 514 432	161 514 462
3/4	20	10	271	161 514 403	161 514 413	161 514 433	161 514 463
1	25	10	481	161 514 404	161 514 414	161 514 434	161 514 464
1 1/4	32	10	759	161 514 405	161 514 415	161 514 435	161 514 465
1 1/2	40	10	1263	161 514 406	161 514 416	161 514 436	161 514 466
2	50	10	1728	161 514 407	161 514 417	161 514 437	161 514 467

table continued next page



Rp [inch]	D [mm]	D2 [mm]	D3 [mm]	L [mm]	L2 [mm]	H [mm]	H1 [mm]	H2 [mm]	M	z [mm]	Lift = Hx [mm]
½	65	65	43	128	25	73	14	12	M6	96	7
¾	80	65	51	152	25	81	18	12	M6	114	10
1	88	87	58	166	25	107	22	12	M6	122	13
1 ¼	101	87	72	192	45	115	26	15	M8	140	15
1 ½	117	135	83	222	45	148	32	15	M8	160	19
2	144	135	100	266	45	166	39	15	M8	190	25



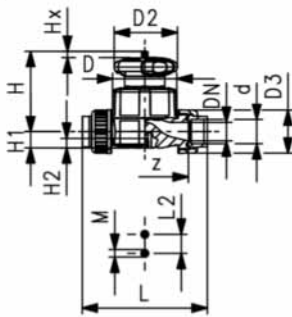
## Diaphragm valve type 514 PVC-U With fusion sockets PE80 metric

### Model:

- Double flow rate compared to predecessor
- One housing nut replaces four screws
- Handwheel with built-in locking mechanism
- For easy installation and removal
- Short overall length

### Option:

- Individual configuration of the valve (see diagram)
- Self adjusting multifunctional module with integrated limit switches
- PN16 available as a configuration



d [mm]	DN [mm]	PN	kv-value (Δp=1 bar) [l/min]	EPDM Code
20	15	10	125	<b>161 514 212</b>
25	20	10	271	<b>161 514 213</b>
32	25	10	481	<b>161 514 214</b>
40	32	10	759	<b>161 514 215</b>
50	40	10	1263	<b>161 514 216</b>
63	50	10	1728	<b>161 514 217</b>

d [mm]	D [mm]	D2 [mm]	D3 [mm]	L [mm]	L2 [mm]	H [mm]	H1 [mm]	H2 [mm]	M	z [mm]	Lift = Hx [mm]
20	65	65	43	128	25	73	14	12	M6	100	7
25	80	65	51	150	25	81	18	12	M6	118	10
32	88	87	58	162	25	107	22	12	M6	126	13
40	101	87	72	184	45	115	26	15	M8	144	15
50	117	135	83	210	45	148	32	15	M8	164	19
63	144	135	100	248	45	166	39	15	M8	194	25



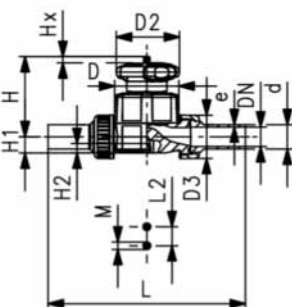
## Diaphragm valve type 514 PVC-U With butt and electro fusion ends PE100 SDR11 metric

### Model:

- Double flow rate compared to predecessor
- One housing nut replaces four screws
- Handwheel with built-in locking mechanism
- For easy installation and removal
- Short overall length

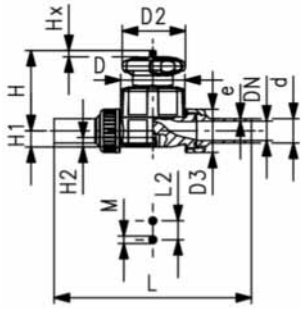
### Option:

- Individual configuration of the valve (see diagram)
- Self adjusting multifunctional module with integrated limit switches
- PN16 available as a configuration



d [mm]	DN [mm]	PN	kv-value (Δp=1 bar) [l/min]	EPDM Code
20	15	10	125	<b>161 514 312</b>
25	20	10	271	<b>161 514 313</b>
32	25	10	481	<b>161 514 314</b>

table continued next page



d [mm]	DN [mm]	PN	kv-value ( $\Delta p=1$ bar) [l/min]	EPDM Code
40	32	10	759	161 514 315
50	40	10	1263	161 514 316
63	50	10	1728	161 514 317

d [mm]	D [mm]	D2 [mm]	D3 [mm]	L [mm]	L2 [mm]	H [mm]	H1 [mm]	H2 [mm]	M	Lift = Hx [mm]	e [mm]
20	65	65	43	224	25	73	14	12	M6	7	1,9
25	80	65	51	250	25	81	18	12	M6	10	2,3
32	88	87	58	262	25	107	22	12	M6	13	2,9
40	101	87	72	296	45	115	26	15	M8	15	3,7
50	117	135	83	328	45	148	32	15	M8	19	4,6
63	144	135	100	370	45	166	39	15	M8	25	5,8



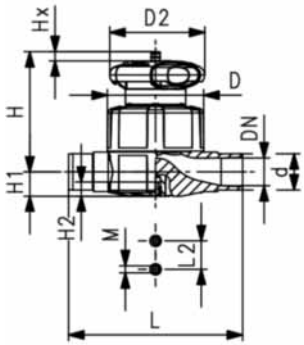
## Diaphragm valve type 515 PVC-U With solvent cement spigots metric

### Model:

- Double flow rate compared to predecessor
- One housing nut replaces four screws
- Handwheel with built-in locking mechanism
- Overall length EN 558

### Option:

- Individual configuration of the valve (see diagram)
- Self adjusting multifunctional module with integrated limit switches
- PN16 available as a configuration



d [mm]	DN [mm]	PN	kv-value ( $\Delta p=1$ bar) [l/min]	NBR Code	EPDM Code	PTFE/EPDM Code	FPM Code
20	15	10	125	161 515 002	161 515 012	161 515 032	161 515 062
25	20	10	271	161 515 003	161 515 013	161 515 033	161 515 063
32	25	10	481	161 515 004	161 515 014	161 515 034	161 515 064
40	32	10	759	161 515 005	161 515 015	161 515 035	161 515 065
50	40	10	1263	161 515 006	161 515 016	161 515 036	161 515 066
63	50	10	1728	161 515 007	161 515 017	161 515 037	161 515 067

d [mm]	D [mm]	D2 [mm]	L [mm]	L2 [mm]	H [mm]	H1 [mm]	H2 [mm]	M	Lift = Hx [mm]
20	65	65	124	25	73	14	12	M6	7
25	80	65	144	25	81	18	12	M6	10
32	88	87	154	25	107	22	12	M6	13
40	101	87	174	45	115	26	15	M8	15
50	117	135	194	45	148	32	15	M8	19
63	144	135	224	45	166	39	15	M8	25



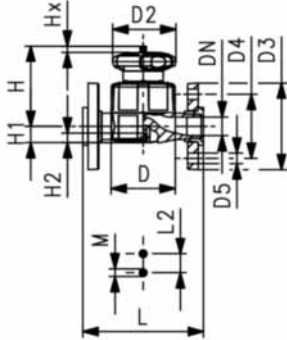
## Diaphragm valve type 517 PVC-U With backing flanges PVC-U metric/BS

### Model:

- Double flow rate compared to predecessor
- One housing nut replaces four screws
- Handwheel with built-in locking mechanism
- Overall length EN 558
- Connecting dimension: ISO 7005 PN 10, EN 1092 PN 10, DIN 2501 PN 10, BS 4504 PN 10
- Flat sealing faces

### Option:

- Individual configuration of the valve (see diagram)
- Self adjusting multifunctional module with integrated limit switches



d [mm]	DN [mm]	PN	kv-value ( $\Delta p=1$ bar) [l/min]	NBR Code	EPDM Code	PTFE/EPDM Code	FPM Code
20	15	10	125	161 517 002	161 517 012	161 517 032	161 517 062
25	20	10	271	161 517 003	161 517 013	161 517 033	161 517 063
32	25	10	481	161 517 004	161 517 014	161 517 034	161 517 064
40	32	10	759	161 517 005	161 517 015	161 517 035	161 517 065
50	40	10	1263	161 517 006	161 517 016	161 517 036	161 517 066
63	50	10	1728	161 517 007	161 517 017	161 517 037	161 517 067

d [mm]	D [mm]	D2 [mm]	D3 [mm]	D4 [mm]	D5 [mm]	L [mm]	L2 [mm]	H [mm]	H1 [mm]	H2 [mm]	M	Lift = Hx [mm]
20	65	65	95	65	14	130	25	73	14	12	M6	7
25	80	65	105	75	14	150	25	81	18	12	M6	10
32	88	87	115	85	14	160	25	107	22	12	M6	13
40	101	87	140	100	18	180	45	115	26	15	M8	15
50	117	135	150	110	18	200	45	148	32	15	M8	19
63	144	135	165	125	18	230	45	166	39	15	M8	25

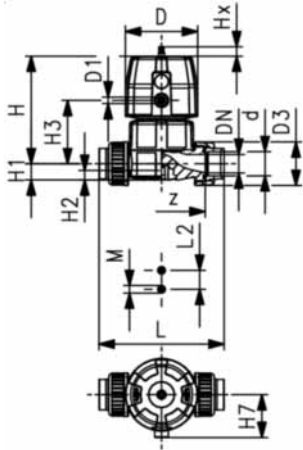


# Diaphragm valves pneumatic

## New generation

### Diaphragm valve DIASTAR Six PVC-U FC (Fail safe to close)

#### Unions with solvent cement sockets metric



#### Model:

- Double flow rate compared to predecessor
- One housing nut replaces four screws
- Rotating air connection at 90° intervals
- For easy installation and removal
- Short overall length

#### Option:

- Individual configuration of the valve (see diagram)
- PN16 available as a configuration

d [mm]	DN [mm]	PN	kv-value ( $\Delta p=1$ bar) [l/min]	EPDM Code
16	10	6	125	<b>161 614 011</b>
20	15	6	125	<b>161 614 012</b>
25	20	6	271	<b>161 614 013</b>
32	25	6	481	<b>161 614 014</b>
40	32	6	759	<b>161 614 015</b>
50	40	6	1263	<b>161 614 016</b>
63	50	6	1728	<b>161 614 017</b>

d [mm]	D [mm]	D1_G [inch]	L [mm]	L2 [mm]	H [mm]	H1 [mm]	H2 [mm]	H3 [mm]	H7 [mm]	M	z [mm]	Lift = Hx [mm]
16	68	1/8	124	25	101	14	12	60	43	M6	96	7
20	68	1/8	128	25	101	14	12	60	43	M6	96	7
25	96	1/8	152	25	132	18	12	73	57	M6	114	10
32	96	1/8	166	25	143	22	12	84	57	M6	122	13
40	120	1/8	192	45	173	26	15	99	69	M8	140	14
50	120	1/8	222	45	193	32	15	119	69	M8	160	16
63	120	1/8	266	45	205	39	15	132	69	M8	190	16



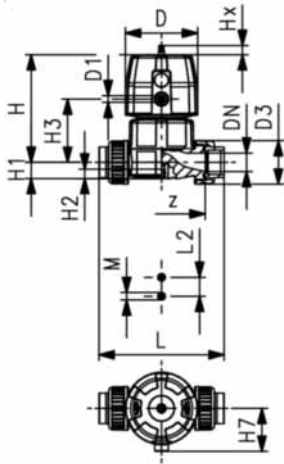
## Diaphragm valve DIASTAR Six PVC-U FC (Fail safe to close) Unions with threaded sockets Rp

### Model:

- Double flow rate compared to predecessor
- One housing nut replaces four screws
- Rotating air connection at 90° intervals
- For easy installation and removal
- Short overall length

### Option:

- Individual configuration of the valve (see diagram)
- PN16 available as a configuration



Rp [inch]	DN [mm]	PN	kv-value ( $\Delta p=1$ bar) [l/min]	EPDM Code
1/2	15	6	125	<b>161 614 412</b>
3/4	20	6	271	<b>161 614 413</b>
1	25	6	481	<b>161 614 414</b>
1 1/4	32	6	759	<b>161 614 415</b>
1 1/2	40	6	1263	<b>161 614 416</b>
2	50	6	1728	<b>161 614 417</b>

Rp [inch]	D [mm]	D1_G [inch]	L [mm]	L2 [mm]	H [mm]	H1 [mm]	H2 [mm]	H3 [mm]	H7 [mm]	M	z [mm]	Lift = Hx [mm]
1/2	68	1/8	128	25	101	14	12	60	43	M6	96	7
3/4	96	1/8	152	25	132	18	12	73	57	M6	114	10
1	96	1/8	166	25	143	22	12	84	57	M6	122	13
1 1/4	120	1/8	192	45	173	26	15	99	69	M8	140	14
1 1/2	120	1/8	222	45	193	32	15	119	69	M8	160	16
2	120	1/8	266	45	205	39	15	132	69	M8	190	16



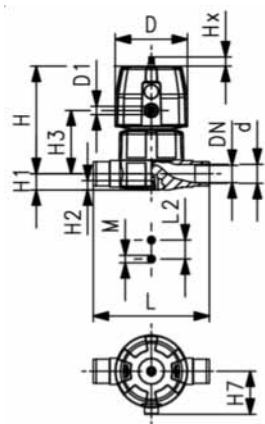
## Diaphragm valve DIASTAR Six PVC-U FC (Fail safe to close) With solvent cement spigots metric

### Model:

- Double flow rate compared to predecessor
- One housing nut replaces four screws
- Rotating air connection at 90° intervals
- Overall length EN 558

### Option:

- Individual configuration of the valve (see diagram)
- PN16 available as a configuration



d [mm]	DN [mm]	PN	kv-value ( $\Delta p=1$ bar) [l/min]	EPDM Code
20	15	6	125	<b>161 615 012</b>
25	20	6	271	<b>161 615 013</b>
32	25	6	481	<b>161 615 014</b>
40	32	6	759	<b>161 615 015</b>
50	40	6	1263	<b>161 615 016</b>
63	50	6	1728	<b>161 615 017</b>

d [mm]	D [mm]	D1_G [inch]	L [mm]	L2 [mm]	H [mm]	H1 [mm]	H2 [mm]	H3 [mm]	H7 [mm]	M	Lift = Hx [mm]
20	68	1/8	124	25	101	14	12	60	43	M6	7
25	96	1/8	144	25	132	18	12	73	57	M6	10
32	96	1/8	154	25	143	22	12	84	57	M6	13
40	120	1/8	174	45	173	26	15	99	69	M8	14
50	120	1/8	194	45	193	32	15	119	69	M8	16
63	120	1/8	224	45	205	39	15	132	69	M8	16



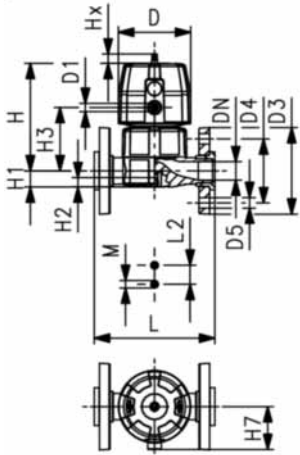
## Diaphragm valve DIASTAR Six PVC-U FC (Fail safe to close) With backing flanges PVC-U metric/BS

### Model:

- Double flow rate compared to predecessor
- One housing nut replaces four screws
- Rotating air connection at 90° intervals
- Flat sealing faces
- Overall length EN 558
- Connecting dimension: ISO 7005 PN 10, EN 1092 PN 10, DIN 2501 PN 10, BS 4504 PN 10

### Option:

- Individual configuration of the valve (see diagram)



d [mm]	DN [mm]	PN	kv-value ( $\Delta p=1$ bar) [l/min]	EPDM Code
20	15	6	125	161 617 012
25	20	6	271	161 617 013
32	25	6	481	161 617 014
40	32	6	759	161 617 015
50	40	6	1263	161 617 016
63	50	6	1728	161 617 017

d [mm]	D [mm]	D1_G [inch]	D3 [mm]	D4 [mm]	D5 [mm]	L [mm]	L2 [mm]	H [mm]	H1 [mm]	H2 [mm]	H3 [mm]	H7 [mm]	M	Lift = Hx [mm]
20	68	1/8	95	65	14	130	25	101	14	12	60	43	M6	7
25	96	1/8	105	75	14	150	25	132	18	12	73	57	M6	10
32	96	1/8	115	85	14	160	25	143	22	12	84	57	M6	13
40	120	1/8	140	100	18	180	45	173	26	15	99	69	M8	14
50	120	1/8	150	110	18	200	45	193	32	15	119	69	M8	16
63	120	1/8	165	125	18	230	45	205	39	15	132	69	M8	16



## Diaphragm valve DIASTAR Ten PVC-U FC (Fail safe to close) Unions with solvent cement sockets metric

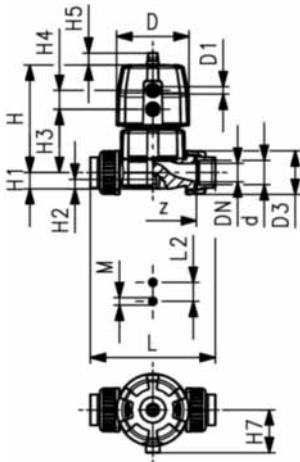
### Model:

- Double flow rate compared to predecessor
- One housing nut replaces four screws
- Rotating air connection at 90° intervals
- For easy installation and removal
- Short overall length

### Option:

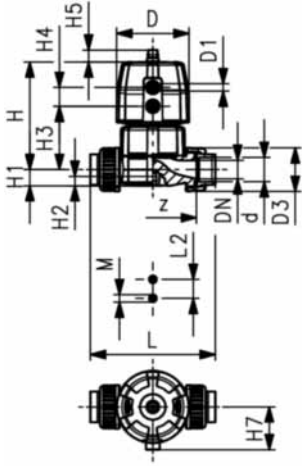
- Individual configuration of the valve (see diagram)
- Comprehensive range of accessories available
- PN16 available as a configuration

\* PN: PTFE/EPDM



d [mm]	DN [mm]	PN [bar]	kv-value ( $\Delta p=1$ bar) [l/min]	EPDM Code	PTFE/EPDM Code
16	10	10	125	161 624 011	161 624 031
20	15	10	125	161 624 012	161 624 032
25	20	10	271	161 624 013	161 624 033
32	25	10	481	161 624 014	161 624 034
40	32	10	759	161 624 015	161 624 035
50	40	10	1263	161 624 016	161 624 036
63	50	10/6*	1728	161 624 017	161 624 037

table continued next page



d [mm]	D [mm]	D1_G [inch]	L [mm]	L2 [mm]	H [mm]	H1 [mm]	H2 [mm]	H3 [mm]	H4 [mm]	H5 [mm]	H7 [mm]	M	z [mm]	Lift = Hx [mm]
16	68	1/8	124	25	101	14	12	60	24	16	43	M6	96	7
20	68	1/8	128	25	101	14	12	60	24	16	43	M6	96	7
25	96	1/8	152	25	132	18	12	73	25	16	57	M6	114	10
32	96	1/8	166	25	143	22	12	84	25	16	57	M6	122	13
40	120	1/8	192	45	173	26	15	99	26	26	69	M8	140	15
50	150	1/4	222	45	214	32	15	119	36	26	88	M8	160	19
63	150	1/4	266	45	226	39	15	132	36	26	88	M8	190	23



## Diaphragm valve DIASTAR Ten PVC-U FC (Fail safe to close) With solvent cement spigots metric

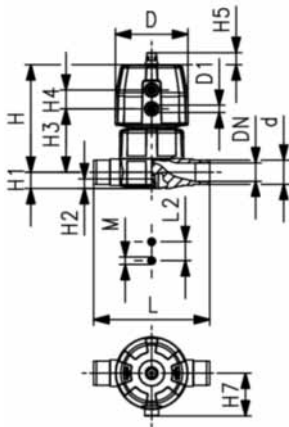
### Model:

- Double flow rate compared to predecessor
- One housing nut replaces four screws
- Rotating air connection at 90° intervals
- Overall length EN 558

### Option:

- Individual configuration of the valve (see diagram)
- Comprehensive range of accessories available
- PN16 available as a configuration

\* PN: PTFE/EPDM



d [mm]	DN [mm]	PN [bar]	kv-value ( $\Delta p=1$ bar) [l/min]	EPDM Code	PTFE/EPDM Code
20	15	10	125	161 625 012	161 625 032
25	20	10	271	161 625 013	161 625 033
32	25	10	481	161 625 014	161 625 034
40	32	10	759	161 625 015	161 625 035
50	40	10	1263	161 625 016	161 625 036
63	50	10/6*	1728	161 625 017	161 625 037

d [mm]	D [mm]	D1_G [inch]	L [mm]	L2 [mm]	H [mm]	H1 [mm]	H2 [mm]	H3 [mm]	H4 [mm]	H5 [mm]	H7 [mm]	M	Lift = Hx [mm]
20	68	1/8	124	25	101	14	12	60	24	16	43	M6	7
25	96	1/8	144	25	132	18	12	73	25	16	57	M6	10
32	96	1/8	154	25	143	22	12	84	25	16	57	M6	13
40	120	1/8	174	45	173	26	15	99	26	26	69	M8	15
50	150	1/4	194	45	214	32	15	119	36	26	88	M8	19
63	150	1/4	224	45	226	39	15	132	36	26	88	M8	23



## Diaphragm valve DIASTAR Ten PVC-U FC (Fail safe to close) With backing flanges PVC-U metric/BS

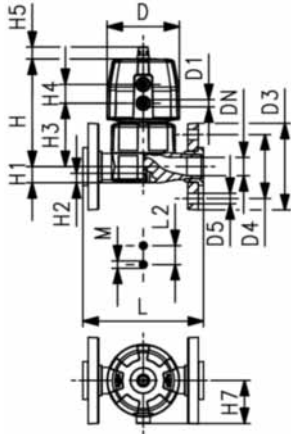
### Model:

- Double flow rate compared to predecessor
- One housing nut replaces four screws
- Rotating air connection at 90° intervals
- Flat sealing faces
- Overall length EN 558
- Connecting dimension: ISO 7005 PN 10, EN 1092 PN 10, DIN 2501 PN 10, BS 4504 PN 10

### Option:

- Individual configuration of the valve (see diagram)
- Comprehensive range of accessories available

\* PN: PTFE/EPDM



d [mm]	DN [mm]	PN [bar]	kv-value ( $\Delta p=1$ bar) [l/min]	EPDM Code	PTFE/EPDM Code
20	15	10	125	<b>161 627 012</b>	<b>161 627 032</b>
25	20	10	271	<b>161 627 013</b>	<b>161 627 033</b>
32	25	10	481	<b>161 627 014</b>	<b>161 627 034</b>
40	32	10	759	<b>161 627 015</b>	<b>161 627 035</b>
50	40	10	1263	<b>161 627 016</b>	<b>161 627 036</b>
63	50	10/6*	1728	<b>161 627 017</b>	<b>161 627 037</b>

d [mm]	D [mm]	D1_G [inch]	D3 [mm]	D4 [mm]	D5 [mm]	L [mm]	L2 [mm]	H [mm]	H1 [mm]	H2 [mm]	H3 [mm]	H4 [mm]	H5 [mm]	H7 [mm]	M
20	68	1/8	95	65	14	130	25	101	14	12	60	24	16	43	M6
25	96	1/8	105	75	14	150	25	132	18	12	73	25	16	57	M6
32	96	1/8	115	85	14	160	25	143	22	12	84	25	16	57	M6
40	120	1/8	140	100	18	180	45	173	26	15	99	26	26	69	M8
50	150	1/4	150	110	18	200	45	193	32	15	119	36	26	88	M8
63	150	1/4	165	125	18	230	45	205	39	15	132	36	26	88	M8

d [mm]	Lift = Hx [mm]
20	7
25	10
32	13
40	15
50	19
63	23



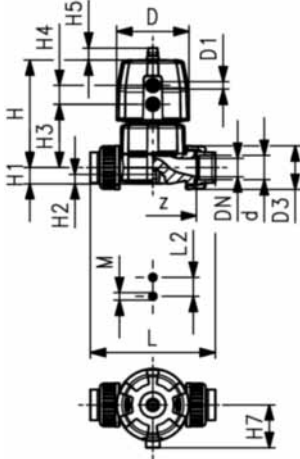
## Diaphragm valve DIASTAR Ten PVC-U FO (Fail safe to open) Unions with solvent cement sockets metric

### Model:

- Double flow rate compared to predecessor
- One housing nut replaces four screws
- Rotating air connection at 90° intervals
- For easy installation and removal
- Short overall length

### Option:

- Individual configuration of the valve (see diagram)
- Comprehensive range of accessories available
- PN16 available as a configuration



d [mm]	DN [mm]	PN [bar]	kv-value ( $\Delta p=1$ bar) [l/min]	EPDM Code	PTFE/EPDM Code
16	10	10	125	<b>161 644 011</b>	<b>161 644 031</b>
20	15	10	125	<b>161 644 012</b>	<b>161 644 032</b>
25	20	10	271	<b>161 644 013</b>	<b>161 644 033</b>
32	25	10	481	<b>161 644 014</b>	<b>161 644 034</b>
40	32	10	759	<b>161 644 015</b>	<b>161 644 035</b>
50	40	10	1263	<b>161 644 016</b>	<b>161 644 036</b>
63	50	10	1728	<b>161 644 017</b>	<b>161 644 037</b>

d [mm]	D [mm]	D1_G [inch]	L [mm]	L2 [mm]	H [mm]	H1 [mm]	H2 [mm]	H3 [mm]	H4 [mm]	H5 [mm]	H7 [mm]	M	z [mm]	Lift = Hx [mm]
16	68	1/8	124	25	101	14	12	60	24	16	43	M6	96	7
20	68	1/8	128	25	101	14	12	60	24	16	43	M6	96	7
25	96	1/8	152	25	132	18	12	73	25	16	57	M6	114	10
32	96	1/8	166	25	143	22	12	84	25	16	57	M6	122	13
40	120	1/8	192	45	173	26	15	99	26	26	69	M8	140	15
50	150	1/4	222	45	214	32	15	119	36	26	88	M8	160	19
63	150	1/4	266	45	226	39	15	132	36	26	88	M8	190	23



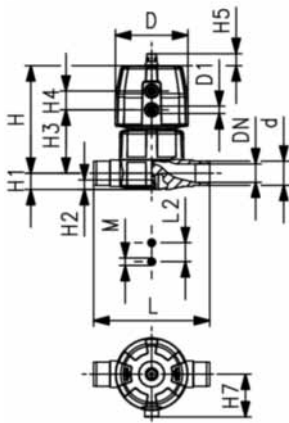
## Diaphragm valve DIASTAR Ten PVC-U FO (Fail safe to open) With solvent cement spigots metric

### Model:

- Double flow rate compared to predecessor
- One housing nut replaces four screws
- Rotating air connection at 90° intervals
- Overall length EN 558

### Option:

- Individual configuration of the valve (see diagram)
- Comprehensive range of accessories available
- PN16 available as a configuration

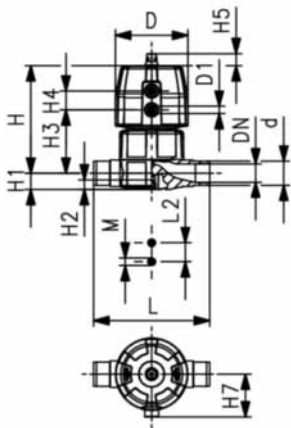


d [mm]	DN [mm]	PN [bar]	kv-value ( $\Delta p=1$ bar) [l/min]	EPDM Code	PTFE/EPDM Code
20	15	10	125	<b>161 645 012</b>	<b>161 645 032</b>
25	20	10	271	<b>161 645 013</b>	<b>161 645 033</b>
32	25	10	481	<b>161 645 014</b>	<b>161 645 034</b>
40	32	10	759	<b>161 645 015</b>	<b>161 645 035</b>
50	40	10	1263	<b>161 645 016</b>	<b>161 645 036</b>
63	50	10	1728	<b>161 645 017</b>	<b>161 645 037</b>

d [mm]	D [mm]	D1_G [inch]	L [mm]	L2 [mm]	H [mm]	H1 [mm]	H2 [mm]	H3 [mm]	H4 [mm]	H5 [mm]	H7 [mm]	M	Lift = Hx [mm]
20	68	1/8	124	25	101	14	12	60	24	16	43	M6	7
25	96	1/8	144	25	132	18	12	73	25	16	57	M6	10
32	96	1/8	154	25	143	22	12	84	25	16	57	M6	13

table continued next page





d	D	D1_G	L	L2	H	H1	H2	H3	H4	H5	H7	M	Lift = Hx
[mm]	[mm]	[inch]	[mm]	[mm]	[mm]	[mm]	[mm]	[mm]	[mm]	[mm]	[mm]		[mm]
40	120	1/8	174	45	173	26	15	99	26	26	69	M8	15
50	150	1/4	194	45	214	32	15	119	36	26	88	M8	19
63	150	1/4	224	45	226	39	15	132	36	26	88	M8	23



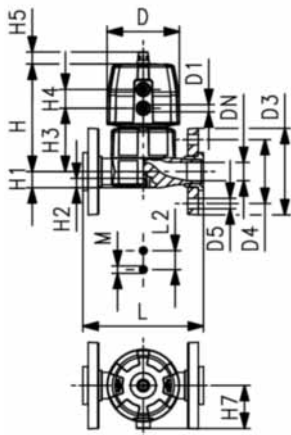
## Diaphragm valve DIASTAR Ten PVC-U FO (Fail safe to open) With backing flanges PVC-U metric/BS

### Model:

- Double flow rate compared to predecessor
- One housing nut replaces four screws
- Rotating air connection at 90° intervals
- Flat sealing faces
- Overall length EN 558
- Connecting dimension: ISO 7005 PN 10, EN 1092 PN 10, DIN 2501 PN 10, BS 4504 PN 10

### Option:

- Individual configuration of the valve (see diagram)
- Comprehensive range of accessories available



d	DN	PN	kv-value	EPDM	PTFE/EPDM
[mm]	[mm]	[bar]	( $\Delta p=1$ bar)	Code	Code
			[l/min]		
20	15	10/10*	125	<b>161 647 012</b>	<b>161 647 032</b>
25	20	10/10*	271	<b>161 647 013</b>	<b>161 647 033</b>
32	25	10/10*	481	<b>161 647 014</b>	<b>161 647 034</b>
40	32	10/10*	759	<b>161 647 015</b>	<b>161 647 035</b>
50	40	10/10*	1263	<b>161 647 016</b>	<b>161 647 036</b>
63	50	10/10*	1728	<b>161 647 017</b>	<b>161 647 037</b>

d	D	D1_G	D3	D4	D5	L	L2	H	H1	H2	H3	H4	H5	H7	M
[mm]	[mm]	[inch]	[mm]	[mm]	[mm]	[mm]	[mm]	[mm]	[mm]	[mm]	[mm]	[mm]	[mm]	[mm]	
20	68	1/8	95	65	14	130	25	101	14	12	60	24	16	43	M6
25	96	1/8	105	75	14	150	25	132	18	12	73	25	16	57	M6
32	96	1/8	115	85	14	160	25	143	22	12	84	25	16	57	M6
40	120	1/8	140	100	18	180	45	173	26	15	99	26	26	69	M8
50	150	1/4	150	110	18	200	45	214	32	15	119	36	26	88	M8
63	150	1/4	165	125	18	230	45	226	39	15	132	36	26	88	M8

d	Lift = Hx
[mm]	[mm]
20	7
25	10
32	13
40	15
50	19
63	23





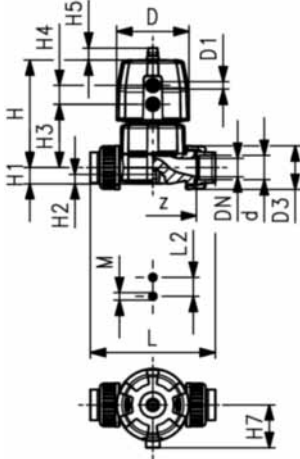
## Diaphragm valve DIASTAR Ten PVC-U DA (Double acting) Unions with solvent cement sockets metric

### Model:

- Double flow rate compared to predecessor
- One housing nut replaces four screws
- Rotating air connection at 90° intervals
- For easy installation and removal
- Short overall length

### Option:

- Individual configuration of the valve (see diagram)
- Comprehensive range of accessories available
- PN16 available as a configuration



d [mm]	DN [mm]	PN [bar]	kv-value ( $\Delta p=1$ bar) [l/min]	EPDM Code	PTFE/EPDM Code
16	10	10	125	<b>161 654 011</b>	<b>161 654 031</b>
20	15	10	125	<b>161 654 012</b>	<b>161 654 032</b>
25	20	10	271	<b>161 654 013</b>	<b>161 654 033</b>
32	25	10	481	<b>161 654 014</b>	<b>161 654 034</b>
40	32	10	759	<b>161 654 015</b>	<b>161 654 035</b>
50	40	10	1263	<b>161 654 016</b>	<b>161 654 036</b>
63	50	10	1728	<b>161 654 017</b>	<b>161 654 037</b>

d [mm]	D [mm]	D1_G [inch]	L [mm]	L2 [mm]	H [mm]	H1 [mm]	H2 [mm]	H3 [mm]	H4 [mm]	H5 [mm]	H7 [mm]	M	z [mm]	Lift = Hx [mm]
16	68	1/8	124	25	101	14	12	60	24	16	43	M6	96	7
20	68	1/8	128	25	101	14	12	60	24	16	43	M6	96	7
25	96	1/8	152	25	132	18	12	73	25	16	57	M6	114	10
32	96	1/8	166	25	143	22	12	84	25	16	57	M6	122	13
40	120	1/8	192	45	173	26	15	99	26	26	69	M8	140	15
50	150	1/4	222	45	214	32	15	119	36	26	88	M8	160	19
63	150	1/4	266	45	226	39	15	132	36	26	88	M8	190	23



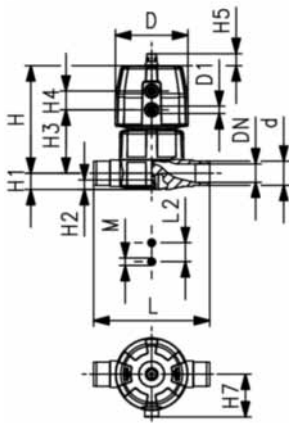
## Diaphragm valve DIASTAR Ten PVC-U DA (Double acting) With solvent cement spigots metric

### Model:

- Double flow rate compared to predecessor
- One housing nut replaces four screws
- Rotating air connection at 90° intervals
- Overall length EN 558

### Option:

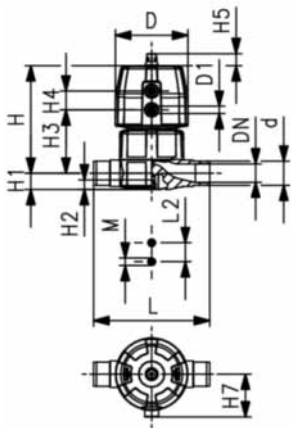
- Individual configuration of the valve (see diagram)
- Comprehensive range of accessories available
- PN16 available as a configuration



d [mm]	DN [mm]	PN [bar]	kv-value ( $\Delta p=1$ bar) [l/min]	EPDM Code	PTFE/EPDM Code
20	15	10	125	<b>161 655 012</b>	<b>161 655 032</b>
25	20	10	271	<b>161 655 013</b>	<b>161 655 033</b>
32	25	10	481	<b>161 655 014</b>	<b>161 655 034</b>
40	32	10	759	<b>161 655 015</b>	<b>161 655 035</b>
50	40	10	1263	<b>161 655 016</b>	<b>161 655 036</b>
63	50	10	1728	<b>161 655 017</b>	<b>161 655 037</b>

d [mm]	D [mm]	D1_G [inch]	L [mm]	L2 [mm]	H [mm]	H1 [mm]	H2 [mm]	H3 [mm]	H4 [mm]	H5 [mm]	H7 [mm]	M	Lift = Hx [mm]
20	68	1/8	124	25	101	14	12	60	24	16	43	M6	7
25	96	1/8	144	25	132	18	12	73	25	16	57	M6	10
32	96	1/8	154	25	143	22	12	84	25	16	57	M6	13

table continued next page



d [mm]	D [mm]	D1_G [inch]	L [mm]	L2 [mm]	H [mm]	H1 [mm]	H2 [mm]	H3 [mm]	H4 [mm]	H5 [mm]	H7 [mm]	M	Lift = Hx [mm]
40	120	1/8	174	45	173	26	15	99	26	26	69	M8	15
50	150	1/4	194	45	214	32	15	119	36	26	88	M8	19
63	150	1/4	224	45	226	39	15	132	36	26	88	M8	23



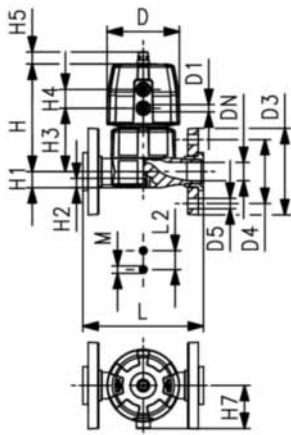
## Diaphragm valve DIASTAR Ten PVC-U DA (Double acting) With backing flanges PVC-U metric/BS

### Model:

- Double flow rate compared to predecessor
- One housing nut replaces four screws
- Rotating air connection at 90° intervals
- Flat sealing faces
- Overall length EN 558
- Connecting dimension: ISO 7005 PN 10, EN 1092 PN 10, DIN 2501 PN 10, BS 4504 PN 10

### Option:

- Individual configuration of the valve (see diagram)
- Comprehensive range of accessories available



d [mm]	DN [mm]	PN [bar]	kv-value ( $\Delta p=1$ bar) [l/min]	EPDM Code	PTFE/EPDM Code
20	15	10	125	161 657 012	161 657 032
25	20	10	271	161 657 013	161 657 033
32	25	10	481	161 657 014	161 657 034
40	32	10	759	161 657 015	161 657 035
50	40	10	1263	161 657 016	161 657 036
63	50	10	1728	161 657 017	161 657 037

d [mm]	D [mm]	D1_G [inch]	D3 [mm]	D4 [mm]	D5 [mm]	L [mm]	L2 [mm]	H [mm]	H1 [mm]	H2 [mm]	H3 [mm]	H4 [mm]	H5 [mm]	H7 [mm]	M
20	68	1/8	95	65	14	130	25	101	14	12	60	24	16	43	M6
25	96	1/8	105	75	14	150	25	132	18	12	73	25	16	57	M6
32	96	1/8	115	85	14	160	25	143	22	12	84	25	16	57	M6
40	120	1/8	140	100	18	180	45	173	26	15	99	26	26	69	M8
50	150	1/4	150	110	18	200	45	214	32	15	119	36	26	88	M8
63	150	1/4	165	125	18	230	45	226	39	15	132	36	26	88	M8

d [mm]	Lift = Hx [mm]
20	7
25	10
32	13
40	15
50	19
63	23



## Diaphragm valve DIASTAR Sixteen PVC-U FC (Fail safe to close) Unions with solvent cement sockets metric

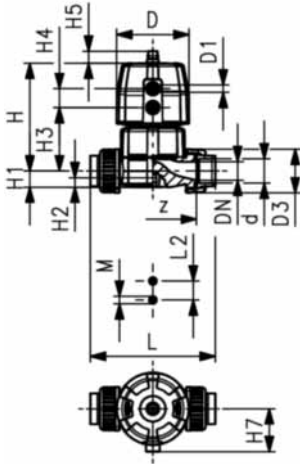
### Model:

- Double flow rate compared to predecessor
- One housing nut replaces four screws
- Rotating air connection at 90° intervals
- For easy installation and removal
- Short overall length

### Option:

- Individual configuration of the valve (see diagram)
- Comprehensive range of accessories available
- PN16 available as a configuration

\* PN: PTFE/EPDM



d [mm]	DN [mm]	PN [bar]	kv-value ( $\Delta p=1$ bar) [l/min]	EPDM Code	PTFE/EPDM Code
16	10	16/16*	125	161 634 011	161 634 031
20	15	16/16*	125	161 634 012	161 634 032
25	20	16/16*	271	161 634 013	161 634 033
32	25	16/16*	481	161 634 014	161 634 034
40	32	16/16*	759	161 634 015	161 634 035
50	40	16/16*	1263	161 634 016	161 634 036
63	50	16/10*	1728	161 634 017	161 634 037

d [mm]	D [mm]	D1_G [inch]	L [mm]	L2 [mm]	H [mm]	H1 [mm]	H2 [mm]	H3 [mm]	H4 [mm]	H5 [mm]	H7 [mm]	M	z [mm]	Lift = Hx [mm]
16	96	1/8	124	25	127	14	12	68	25	16	57	M6	96	7
20	96	1/8	128	25	127	14	12	68	25	16	57	M6	96	7
25	96	1/8	152	25	132	18	12	73	25	16	57	M6	114	10
32	120	1/8	166	25	167	22	12	93	26	26	69	M6	122	13
40	150	1/4	192	45	196	26	15	101	36	26	88	M8	140	15
50	180	1/4	222	45	239	32	15	124	37	26	103	M8	160	19
63	180	1/4	266	45	251	39	15	137	37	26	103	M8	190	23



## Diaphragm valve DIASTAR Sixteen PVC-U FC (Fail safe to close) With solvent cement spigots metric

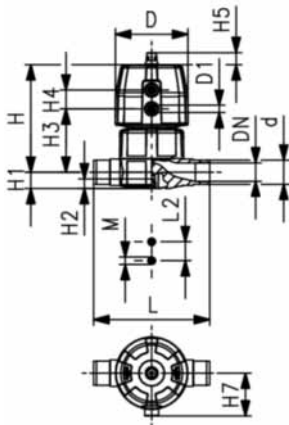
### Model:

- Double flow rate compared to predecessor
- One housing nut replaces four screws
- Rotating air connection at 90° intervals
- Overall length EN 558

### Option:

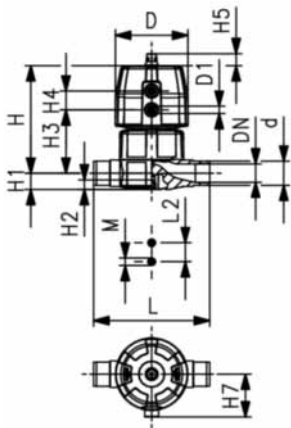
- Individual configuration of the valve (see diagram)
- Comprehensive range of accessories available
- PN16 available as a configuration

\* PN: PTFE/EPDM



d [mm]	DN [mm]	PN [bar]	kv-value ( $\Delta p=1$ bar) [l/min]	EPDM Code	PTFE/EPDM Code
20	15	16/16*	125	161 635 012	161 635 032
25	20	16/16*	271	161 635 013	161 635 033
32	25	16/16*	481	161 635 014	161 635 034
40	32	16/16*	759	161 635 015	161 635 035
50	40	16/16*	1263	161 635 016	161 635 036
63	50	16/10*	1728	161 635 017	161 635 037

table continued next page



d	D	D1_G	L	L2	H	H1	H2	H3	H4	H5	H7	M	Lift = Hx
[mm]	[mm]	[inch]	[mm]	[mm]	[mm]	[mm]	[mm]	[mm]	[mm]	[mm]	[mm]		[mm]
20	96	1/8	124	25	127	14	12	68	25	16	57	M6	7
25	96	1/8	144	25	132	18	12	73	25	16	57	M6	10
32	120	1/8	154	25	167	22	12	93	26	26	69	M6	13
40	150	1/4	174	45	196	26	15	101	36	26	88	M8	15
50	180	1/4	194	45	239	32	15	124	37	26	103	M8	19
63	180	1/4	224	45	251	39	15	137	37	26	103	M8	23

## Diaphragm valve DIASTAR Sixteen PVC-U FC (Fail safe to close) With backing flanges PVC-U metric/BS

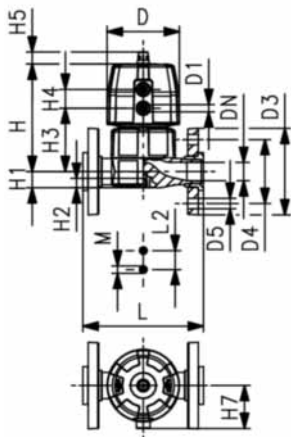


### Model:

- Double flow rate compared to predecessor
- One housing nut replaces four screws
- Rotating air connection at 90° intervals
- Flat sealing faces
- Overall length EN 558
- Connecting dimension: ISO 7005 PN 10, EN 1092 PN 10, DIN 2501 PN 10, BS 4504 PN 10

### Option:

- Individual configuration of the valve (see diagram)
- Comprehensive range of accessories available



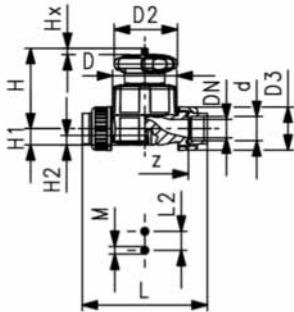
d	DN	PN	kv-value ( $\Delta p=1$ bar)	EPDM Code	PTFE/EPDM Code
[mm]	[mm]	[bar]	[l/min]		
20	15	10	125	<b>161 637 012</b>	<b>161 637 032</b>
25	20	10	271	<b>161 637 013</b>	<b>161 637 033</b>
32	25	10	481	<b>161 637 014</b>	<b>161 637 034</b>
40	32	10	759	<b>161 637 015</b>	<b>161 637 035</b>
50	40	10	1263	<b>161 637 016</b>	<b>161 637 036</b>
63	50	10	1728	<b>161 637 017</b>	<b>161 637 037</b>

d	D	D1_G	D3	D4	D5	L	L2	H	H1	H2	H3	H4	H5	H7	M
[mm]	[mm]	[inch]	[mm]	[mm]	[mm]	[mm]	[mm]	[mm]	[mm]	[mm]	[mm]	[mm]	[mm]	[mm]	
20	96	1/8	95	65	14	130	25	127	14	12	68	25	16	57	M6
25	96	1/8	105	75	14	150	25	132	18	12	73	25	16	57	M6
32	120	1/8	115	85	14	160	25	167	22	12	93	26	26	69	M6
40	150	1/4	140	100	18	180	45	196	26	15	101	36	26	88	M8
50	180	1/4	150	110	18	200	45	239	32	15	124	37	26	103	M8
63	180	1/4	165	125	18	230	45	251	39	15	137	37	26	103	M8

d	Lift = Hx
[mm]	[mm]
20	7
25	10
32	13
40	15
50	19
63	23

# Diaphragm valves new generation

## Diaphragm valve type 514 PVC-U SF With solvent cement sockets metric



### Model:

- Silicone free / paint-compatible
- Double flow rate compared to predecessor
- One housing nut replaces four screws
- Handwheel with built-in locking mechanism
- For easy installation and removal
- Short overall length

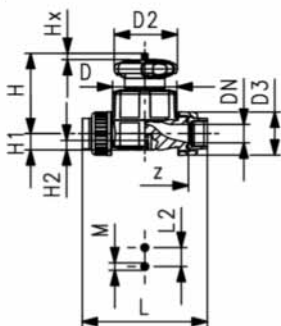
### Option:

- Individual configuration of the valve (see diagram)
- Self adjusting multifunctional module with integrated limit switches
- PN16 available as a configuration

d [mm]	DN [mm]	PN	kv-value ( $\Delta p=1$ bar) [l/min]	EPDM Code	PTFE/EPDM Code
16	10	10	125	161 514 021	161 514 071
20	15	10	125	161 514 022	161 514 072
25	20	10	271	161 514 023	161 514 073
32	25	10	481	161 514 024	161 514 074
40	32	10	759	161 514 025	161 514 075
50	40	10	1263	161 514 026	161 514 076
63	50	10	1728	161 514 027	161 514 077

d [mm]	D [mm]	D2 [mm]	D3 [mm]	L [mm]	L2 [mm]	H [mm]	H1 [mm]	H2 [mm]	M	z [mm]	Lift = Hx [mm]
16	65	65	43	124	25	73	14	12	M6	96	7
20	65	65	43	128	25	73	14	12	M6	96	7
25	80	65	51	152	25	81	18	12	M6	114	10
32	88	87	58	166	25	107	22	12	M6	122	13
40	101	87	72	192	45	115	26	15	M8	140	15
50	117	135	83	222	45	148	32	15	M8	160	19
63	144	135	100	266	45	166	39	15	M8	190	25

## Diaphragm valve type 514 PVC-U SF With threaded sockets Rp



### Model:

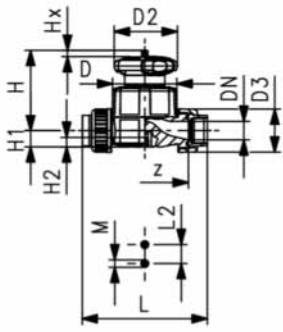
- Silicone free / paint-compatible
- Double flow rate compared to predecessor
- One housing nut replaces four screws
- Handwheel with built-in locking mechanism
- For easy installation and removal
- Short overall length

### Option:

- Individual configuration of the valve (see diagram)
- Self adjusting multifunctional module with integrated limit switches
- PN16 available as a configuration

Rp [inch]	DN [mm]	PN	kv-value ( $\Delta p=1$ bar) [l/min]	EPDM Code	PTFE/EPDM Code
1/2	15	10	125	161 514 422	161 514 472
3/4	20	10	271	161 514 423	161 514 473
1	25	10	481	161 514 424	161 514 474
1 1/4	32	10	759	161 514 425	161 514 475
1 1/2	40	10	1263	161 514 426	161 514 476
2	50	10	1728	161 514 427	161 514 477

table continued next page



Rp [inch]	D [mm]	D2 [mm]	D3 [mm]	L [mm]	L2 [mm]	H [mm]	H1 [mm]	H2 [mm]	M	z [mm]	Lift = Hx [mm]
½	65	65	43	128	25	73	14	12	M6	96	7
¾	80	65	51	152	25	81	18	12	M6	114	10
1	88	87	58	166	25	107	22	12	M6	122	13
1 ¼	101	87	72	192	45	115	26	15	M8	140	15
1 ½	117	135	83	222	45	148	32	15	M8	160	19
2	144	135	100	266	45	166	39	15	M8	190	25



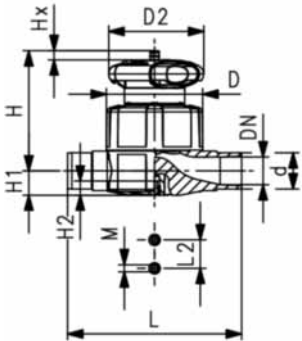
## Diaphragm valve type 515 PVC-U SF With solvent cement spigots metric

### Model:

- Silicone free / paint-compatible
- Double flow rate compared to predecessor
- One housing nut replaces four screws
- Handwheel with built-in locking mechanism
- Overall length EN 558

### Option:

- Individual configuration of the valve (see diagram)
- Self adjusting multifunctional module with integrated limit switches
- PN16 available as a configuration



d [mm]	DN [mm]	PN	kv-value ( $\Delta p=1$ bar) [l/min]	EPDM Code	PTFE/EPDM Code
20	15	10	125	<b>161 515 022</b>	<b>161 515 072</b>
25	20	10	271	<b>161 515 023</b>	<b>161 515 073</b>
32	25	10	481	<b>161 515 024</b>	<b>161 515 074</b>
40	32	10	759	<b>161 515 025</b>	<b>161 515 075</b>
50	40	10	1263	<b>161 515 026</b>	<b>161 515 076</b>
63	50	10	1728	<b>161 515 027</b>	<b>161 515 077</b>

d [mm]	D [mm]	D2 [mm]	L [mm]	L2 [mm]	H [mm]	H1 [mm]	H2 [mm]	M	Lift = Hx [mm]
20	65	65	124	25	73	14	12	M6	7
25	80	65	144	25	81	18	12	M6	10
32	88	87	154	25	107	22	12	M6	13
40	101	87	174	45	115	26	15	M8	15
50	117	135	194	45	148	32	15	M8	19
63	144	135	224	45	166	39	15	M8	25





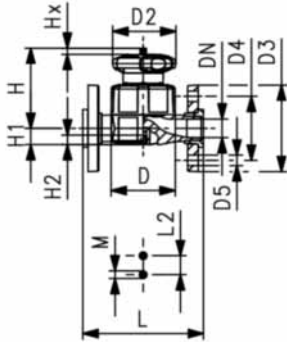
## Diaphragm valve type 517 PVC-U SF With backing flanges PVC-U metric

### Model:

- Silicone free / paint-compatible
- Double flow rate compared to predecessor
- One housing nut replaces four screws
- Handwheel with built-in locking mechanism
- Overall length EN 558
- Connecting dimension: ISO 7005 PN 10, EN 1092 PN 10, DIN 2501 PN 10, BS 4504 PN 10
- Flat sealing faces

### Option:

- Individual configuration of the valve (see diagram)
- Self adjusting multifunctional module with integrated limit switches



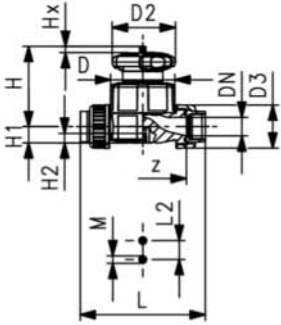
d [mm]	DN [mm]	PN	kv-value ( $\Delta p=1$ bar) [l/min]	EPDM Code	PTFE/EPDM Code
20	15	10	125	<b>161 517 022</b>	<b>161 517 072</b>
25	20	10	271	<b>161 517 023</b>	<b>161 517 073</b>
32	25	10	481	<b>161 517 024</b>	<b>161 517 074</b>
40	32	10	759	<b>161 517 025</b>	<b>161 517 075</b>
50	40	10	1263	<b>161 517 026</b>	<b>161 517 076</b>
63	50	10	1728	<b>161 517 027</b>	<b>161 517 077</b>

d [mm]	D [mm]	D2 [mm]	D3 [mm]	D4 [mm]	D5 [mm]	L [mm]	L2 [mm]	H [mm]	H1 [mm]	H2 [mm]	M	Lift = Hx [mm]
20	65	65	95	65	14	130	25	73	14	12	M6	7
25	80	65	105	75	14	150	25	81	18	12	M6	10
32	88	87	115	85	14	160	25	107	22	12	M6	13
40	101	87	140	100	18	180	45	115	26	15	M8	15
50	117	135	150	110	18	200	45	148	32	15	M8	19
63	144	135	165	125	18	230	45	166	39	15	M8	25



# Diaphragm valves new generation

## Diaphragm valve type 514 PVC-U With solvent cement sockets BS



### Model:

- Double flow rate compared to predecessor
- One housing nut replaces four screws
- Handwheel with built-in locking mechanism
- For easy installation and removal
- Short overall length

### Option:

- Individual configuration of the valve (see diagram)
- Self adjusting multifunctional module with integrated limit switches
- PN16 available as a configuration

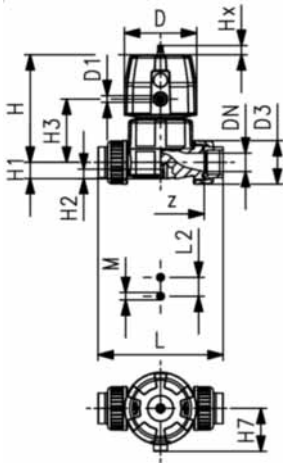
Inch	DN [mm]	PN	kv-value ( $\Delta p=1$ bar) [l/min]	NBR Code	EPDM Code	PTFE/EPDM Code	FPM Code	
1/2	15	10	125	<b>161 514 502</b>	<b>161 514 512</b>	<b>161 514 532</b>	<b>161 514 562</b>	
3/4	20	10	271	<b>161 514 503</b>	<b>161 514 513</b>	<b>161 514 533</b>	<b>161 514 563</b>	
1	25	10	481	<b>161 514 504</b>	<b>161 514 514</b>	<b>161 514 534</b>	<b>161 514 564</b>	
1 1/4	32	10	759	<b>161 514 505</b>	<b>161 514 515</b>	<b>161 514 535</b>	<b>161 514 565</b>	
1 1/2	40	10	1263	<b>161 514 506</b>	<b>161 514 516</b>	<b>161 514 536</b>	<b>161 514 566</b>	
2	50	10	1728	<b>161 514 507</b>	<b>161 514 517</b>	<b>161 514 537</b>	<b>161 514 567</b>	

Inch	D [mm]	D2 [mm]	D3 [mm]	L [mm]	L2 [mm]	H [mm]	H1 [mm]	H2 [mm]	M	z [mm]	Lift = Hx [mm]
1/2	65	65	43	128	25	73	14	12	M6	96	7
3/4	80	65	51	152	25	81	18	12	M6	114	10
1	88	87	58	166	25	107	22	12	M6	122	13
1 1/4	101	87	72	192	45	115	26	15	M8	140	15
1 1/2	117	135	83	222	45	148	32	15	M8	160	19
2	144	135	100	266	45	166	39	15	M8	190	25

# Diaphragm valves pneumatic

## New generation

### Diaphragm valve DIASTAR Six PVC-U FC (Fail safe to close) Unions with solvent cement sockets BS



**Model:**

- Double flow rate compared to predecessor
- One housing nut replaces four screws
- For easy installation and removal
- Short overall length
- Rotating air connection at 90° intervals

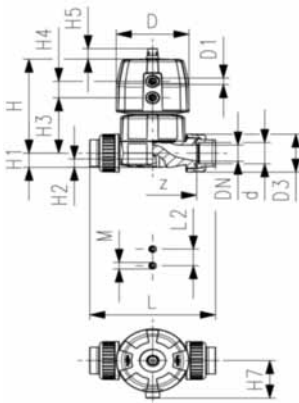
**Option:**

- Individual configuration of the valve (see diagram)
- PN16 available as a configuration

Inch	DN [mm]	PN	kv-value ( $\Delta p=1$ bar) [l/min]	EPDM Code
1/2	15	6	125	<b>161 614 512</b>
3/4	20	6	271	<b>161 614 513</b>
1	25	6	481	<b>161 614 514</b>
1 1/4	32	6	759	<b>161 614 515</b>
1 1/2	40	6	1263	<b>161 614 516</b>
2	50	6	1728	<b>161 614 517</b>

Inch	D [mm]	D1_G [inch]	L [mm]	L2 [mm]	H [mm]	H1 [mm]	H2 [mm]	H3 [mm]	H7 [mm]	M	z [mm]	Lift = Hx [mm]
1/2	68	1/8	128	25	101	14	12	60	43	M6	96	7
3/4	96	1/8	152	25	132	18	12	73	57	M6	114	10
1	96	1/8	166	25	143	22	12	84	57	M6	122	13
1 1/4	120	1/8	192	45	173	26	15	99	69	M8	140	14
1 1/2	120	1/8	222	45	193	32	15	119	69	M8	160	16
2	120	1/8	266	45	205	39	15	132	69	M8	190	16

### Diaphragm valve DIASTAR Ten PVC-U FC (Fail safe to close) Unions with solvent cement sockets BS



**Model:**

- Double flow rate compared to predecessor
- One housing nut replaces four screws
- Rotating air connection at 90° intervals
- For easy installation and removal
- Short overall length

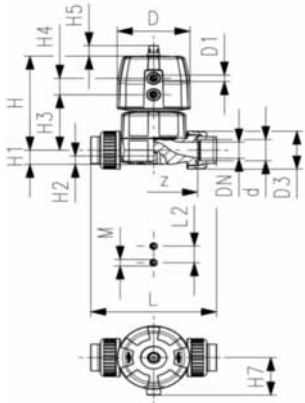
**Option:**

- Individual configuration of the valve (see diagram)
- Comprehensive range of accessories available
- PN16 available as a configuration

\* PN: PTFE/EPDM

Inch	DN [mm]	PN [bar]	kv-value ( $\Delta p=1$ bar) [l/min]	EPDM Code	PTFE/EPDM Code
1/2	15	10/10*	125	<b>161 624 512</b>	<b>161 624 532</b>
3/4	20	10/10*	271	<b>161 624 513</b>	<b>161 624 533</b>
1	25	10/10*	481	<b>161 624 514</b>	<b>161 624 534</b>
1 1/4	32	10/10*	759	<b>161 624 515</b>	<b>161 624 535</b>
1 1/2	40	10/10*	1263	<b>161 624 516</b>	<b>161 624 536</b>
2	50	10/6*	1728	<b>161 624 517</b>	<b>161 624 537</b>

table continued next page



Inch	D [mm]	D1_G [inch]	L [mm]	L2 [mm]	H [mm]	H1 [mm]	H2 [mm]	H3 [mm]	H4 [mm]	H5 [mm]	H7 [mm]	M	z [mm]	Lift = Hx [mm]
½	68	¼	128	25	101	14	12	60	24	16	43	M6	96	7
¾	96	⅝	152	25	132	18	12	73	25	16	57	M6	114	10
1	96	⅝	166	25	143	22	12	84	25	16	57	M6	122	13
1 ¼	120	⅞	192	45	173	26	15	99	26	26	69	M8	140	15
1 ½	150	¾	222	45	214	32	15	119	36	26	88	M8	160	19
2	150	¾	266	45	226	39	15	132	36	26	88	M8	190	23



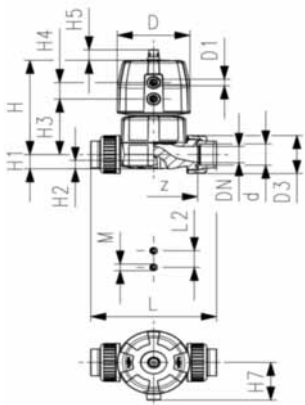
## Diaphragm valve DIASTAR Ten PVC-U FO (Fail safe to open) Unions with solvent cement sockets BS

### Model:

- Double flow rate compared to predecessor
- One housing nut replaces four screws
- Rotating air connection at 90° intervals
- For easy installation and removal
- Short overall length

### Option:

- Individual configuration of the valve (see diagram)
- Comprehensive range of accessories available
- PN16 available as a configuration



Inch	DN [mm]	PN [bar]	kv-value (Δp=1 bar) [l/min]	EPDM Code	PTFE/EPDM Code
½	15	10	125	<b>161 644 512</b>	<b>161 644 532</b>
¾	20	10	271	<b>161 644 513</b>	<b>161 644 533</b>
1	25	10	481	<b>161 644 514</b>	<b>161 644 534</b>
1 ¼	32	10	759	<b>161 644 515</b>	<b>161 644 535</b>
1 ½	40	10	1263	<b>161 644 516</b>	<b>161 644 536</b>
2	50	10	1728	<b>161 644 517</b>	<b>161 644 537</b>

Inch	D [mm]	D1_G [inch]	L [mm]	L2 [mm]	H [mm]	H1 [mm]	H2 [mm]	H3 [mm]	H4 [mm]	H5 [mm]	H7 [mm]	M	z [mm]	Lift = Hx [mm]
½	68	¼	128	25	101	14	12	60	24	16	43	M6	96	7
¾	96	⅝	152	25	132	18	12	73	25	16	57	M6	114	10
1	96	⅝	166	25	143	22	12	84	25	16	57	M6	122	13
1 ¼	120	⅞	192	45	173	26	15	99	26	26	69	M8	140	15
1 ½	150	¾	222	45	214	32	15	119	36	26	88	M8	160	19
2	150	¾	266	45	226	39	15	132	36	26	88	M8	190	23



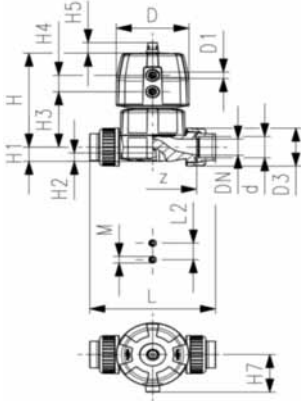
## Diaphragm valve DIASTAR Ten PVC-U DA (Double acting) Unions with solvent cement sockets BS

### Model:

- Double flow rate compared to predecessor
- One housing nut replaces four screws
- Rotating air connection at 90° intervals
- For easy installation and removal
- Short overall length

### Option:

- Individual configuration of the valve (see diagram)
- Comprehensive range of accessories available
- PN16 available as a configuration



Inch	DN [mm]	PN [bar]	kv-value ( $\Delta p=1$ bar) [l/min]	EPDM Code	PTFE/EPDM Code
½	15	10	125	161 654 512	161 654 532
¾	20	10	271	161 654 513	161 654 533
1	25	10	481	161 654 514	161 654 534
1 ¼	32	10	759	161 654 515	161 654 535
1 ½	40	10	1263	161 654 516	161 654 536
2	50	10	1728	161 654 517	161 654 537

Inch	D [mm]	D1_G [inch]	L [mm]	L2 [mm]	H [mm]	H1 [mm]	H2 [mm]	H3 [mm]	H4 [mm]	H5 [mm]	H7 [mm]	M	z [mm]	Lift = Hx [mm]
½	68	⅜	128	25	101	14	12	60	24	16	43	M6	96	7
¾	96	⅝	152	25	132	18	12	73	25	16	57	M6	114	10
1	96	⅝	166	25	143	22	12	84	25	16	57	M6	122	13
1 ¼	120	⅝	192	45	173	26	15	99	26	26	69	M8	140	15
1 ½	150	¾	222	45	214	32	15	119	36	26	88	M8	160	19
2	150	¾	266	45	226	39	15	132	36	26	88	M8	190	23

## Diaphragm valve DIASTAR Sixteen PVC-U FC (Fail safe to close) Unions with solvent cement sockets BS

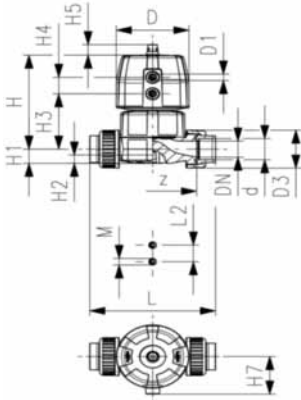
### Model:

- Double flow rate compared to predecessor
- One housing nut replaces four screws
- Rotating air connection at 90° intervals
- For easy installation and removal
- Short overall length

### Option:

- Individual configuration of the valve (see diagram)
- Comprehensive range of accessories available
- PN16 available as a configuration

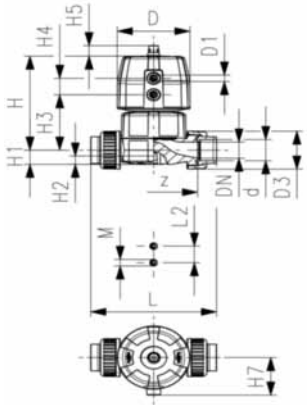
\* PN: PTFE/EPDM



Inch	DN [mm]	PN [bar]	kv-value ( $\Delta p=1$ bar) [l/min]	EPDM Code	PTFE/EPDM Code
½	15	16/16*	125	161 634 512	161 634 532
¾	20	16/16*	271	161 634 513	161 634 533
1	25	16/16*	481	161 634 514	161 634 534
1 ¼	32	16/16*	759	161 634 515	161 634 535
1 ½	40	16/16*	1263	161 634 516	161 634 536
2	50	16/10*	1728	161 634 517	161 634 537

Inch	D [mm]	D1_G [inch]	L [mm]	L2 [mm]	H [mm]	H1 [mm]	H2 [mm]	H3 [mm]	H4 [mm]	H5 [mm]	H7 [mm]	M	z [mm]	Lift = Hx [mm]
½	96	⅝	128	25	127	14	12	68	25	16	57	M6	96	7
¾	96	⅝	152	25	132	18	12	73	25	16	57	M6	114	10
1	120	⅝	166	25	167	22	12	93	26	26	69	M6	122	13

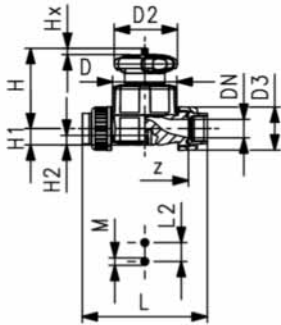
table continued next page



Inch	D [mm]	D1_G [inch]	L [mm]	L2 [mm]	H [mm]	H1 [mm]	H2 [mm]	H3 [mm]	H4 [mm]	H5 [mm]	H7 [mm]	M	z [mm]	Lift = Hx [mm]
1 ¼	150	¼	192	45	196	26	15	101	36	26	88	M8	140	15
1 ½	180	¼	222	45	239	32	15	124	37	26	103	M8	160	19
2	180	¼	266	45	251	39	15	137	37	26	103	M8	190	23

# Diaphragm valves new generation

## Diaphragm valve type 514 PVC-U With solvent cement sockets ASTM



### Model:

- Double flow rate compared to predecessor
- One housing nut replaces four screws
- Handwheel with built-in locking mechanism
- For easy installation and removal
- Short overall length

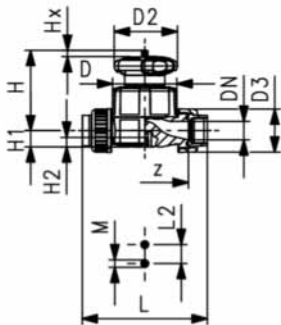
### Option:

- Individual configuration of the valve (see diagram)
- Self adjusting multifunctional module with integrated limit switches
- PN16 available as a configuration

Inch	DN [mm]	PN	kv-value ( $\Delta p=1$ bar) [l/min]	EPDM Code	PTFE/EPDM Code
1/2	15	10	125	<b>161 514 612</b>	<b>161 514 632</b>
3/4	20	10	271	<b>161 514 613</b>	<b>161 514 633</b>
1	25	10	481	<b>161 514 614</b>	<b>161 514 634</b>
1 1/4	32	10	759	<b>161 514 615</b>	<b>161 514 635</b>
1 1/2	40	10	1263	<b>161 514 616</b>	<b>161 514 636</b>
2	50	10	1728	<b>161 514 617</b>	<b>161 514 637</b>

Inch	D [mm]	D2 [mm]	D3 [mm]	L [mm]	L2 [mm]	H [mm]	H1 [mm]	H2 [mm]	M	z [mm]	Lift = Hx [mm]
1/2	65	65	43	136	25	73	14	12	M6	96	7
3/4	80	65	51	160	25	81	18	12	M6	114	10
1	88	87	58	176	25	107	22	12	M6	122	13
1 1/4	101	87	72	198	45	115	26	15	M8	140	15
1 1/2	117	135	83	232	45	148	32	15	M8	160	19
2	144	135	100	268	45	166	39	15	M8	190	25

## Diaphragm valve type 514 PVC-U With threaded sockets NPT



### Model:

- Double flow rate compared to predecessor
- One housing nut replaces four screws
- Handwheel with built-in locking mechanism
- For easy installation and removal
- Short overall length

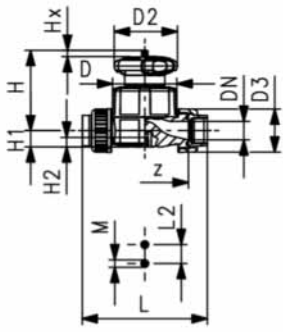
### Option:

- Individual configuration of the valve (see diagram)
- Self adjusting multifunctional module with integrated limit switches
- PN16 available as a configuration

NPT [inch]	DN [mm]	PN	kv-value ( $\Delta p=1$ bar) [l/min]	EPDM Code	PTFE/EPDM Code
1/2	15	10	125	<b>161 514 712</b>	<b>161 514 732</b>
3/4	20	10	271	<b>161 514 713</b>	<b>161 514 733</b>
1	25	10	481	<b>161 514 714</b>	<b>161 514 734</b>
1 1/4	32	10	759	<b>161 514 715</b>	<b>161 514 735</b>
1 1/2	40	10	1263	<b>161 514 716</b>	<b>161 514 736</b>
2	50	10	1728	<b>161 514 717</b>	<b>161 514 737</b>

NPT [inch]	D [mm]	D2 [mm]	D3 [mm]	L [mm]	L2 [mm]	H [mm]	H1 [mm]	H2 [mm]	M	z [mm]	Lift = Hx [mm]
1/2	65	65	43	128	25	73	14	12	M6	96	7
3/4	80	65	51	152	25	81	18	12	M6	114	10
1	88	87	58	166	25	107	22	12	M6	122	13

table continued next page



NPT [inch]	D [mm]	D2 [mm]	D3 [mm]	L [mm]	L2 [mm]	H [mm]	H1 [mm]	H2 [mm]	M	z [mm]	Lift = Hx [mm]
1 ¼	101	87	72	192	45	115	26	15	M8	140	15
1 ½	117	135	83	222	45	148	32	15	M8	160	19
2	144	135	100	266	45	166	39	15	M8	190	25



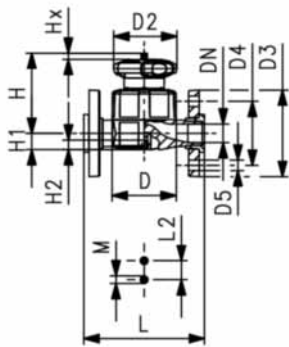
## Diaphragm valve type 517 PVC-U With backing flanges PVC-U Inch ANSI

### Model:

- Double flow rate compared to predecessor
- One housing nut replaces four screws
- Handwheel with built-in locking mechanism
- Overall length EN 558
- Connecting dimension: ANSI/ASME B 16.5 class 150, ASTM D 4024, BS 1560, BS EN 1759
- Flat sealing faces

### Option:

- Individual configuration of the valve (see diagram)
- Self adjusting multifunctional module with integrated limit switches



Inch	DN [mm]	PN	kv-value ( $\Delta p=1$ bar) [l/min]	EPDM Code	PTFE/EPDM Code
½	15	10	125	<b>161 517 612</b>	<b>161 517 632</b>
¾	20	10	271	<b>161 517 613</b>	<b>161 517 633</b>
1	25	10	481	<b>161 517 614</b>	<b>161 517 634</b>
1 ¼	32	10	759	<b>161 517 615</b>	<b>161 517 635</b>
1 ½	40	10	1263	<b>161 517 616</b>	<b>161 517 636</b>
2	50	10	1728	<b>161 517 617</b>	<b>161 517 637</b>

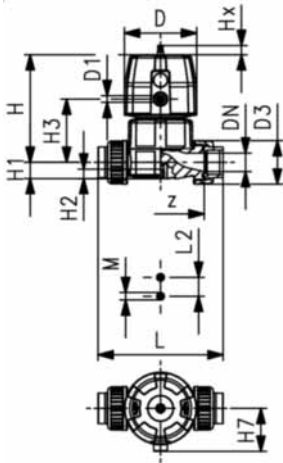
Inch	D [mm]	D2 [mm]	D3 [mm]	D4 [mm]	D5 [mm]	L [mm]	L2 [mm]	H [mm]	H1 [mm]	H2 [mm]	M	Lift = Hx [mm]
½	65	65	95	60	16	130	25	73	14	12	M6	7
¾	80	65	105	70	16	150	25	81	18	12	M6	10
1	88	87	115	79	16	160	25	107	22	12	M6	13
1 ¼	101	87	140	89	16	180	45	115	26	15	M8	15
1 ½	117	135	150	98	16	200	45	148	32	15	M8	19
2	144	135	165	121	19	230	45	166	39	15	M8	25



# Diaphragm valves pneumatic

## New generation

### Diaphragm valve DIASTAR Six PVC-U FC (Fail safe to close) Unions with solvent cement sockets ASTM



#### Model:

- Double flow rate compared to predecessor
- One housing nut replaces four screws
- Rotating air connection at 90° intervals
- For easy installation and removal
- Short overall length

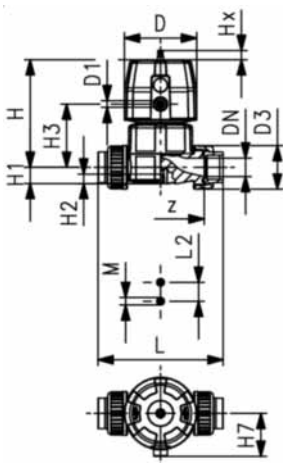
#### Option:

- Individual configuration of the valve (see diagram)
- PN16 available as a configuration

Inch	DN [mm]	PN	kv-value ( $\Delta p=1$ bar) [l/min]	EPDM Code
1/2	15	6	125	<b>161 614 612</b>
3/4	20	6	271	<b>161 614 613</b>
1	25	6	481	<b>161 614 614</b>
1 1/4	32	6	759	<b>161 614 615</b>
1 1/2	40	6	1263	<b>161 614 616</b>
2	50	6	1728	<b>161 614 617</b>

Inch	D [mm]	D1_G [inch]	L [mm]	L2 [mm]	H [mm]	H1 [mm]	H2 [mm]	H3 [mm]	H7 [mm]	M	z [mm]	Lift = Hx [mm]
1/2	68	1/8	136	25	101	14	12	60	43	M6	96	7
3/4	96	1/8	160	25	132	18	12	73	57	M6	114	10
1	96	1/8	176	25	143	22	12	84	57	M6	122	13
1 1/4	120	1/8	198	45	173	26	15	99	69	M8	140	14
1 1/2	120	1/8	232	45	193	32	15	119	69	M8	160	16
2	120	1/8	268	45	205	39	15	132	69	M8	190	16

### Diaphragm valve DIASTAR Six PVC-U FC (Fail safe to close) Unions with threaded sockets NPT



#### Model:

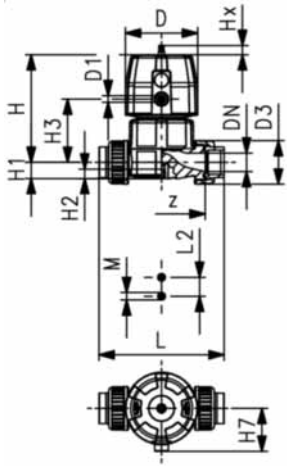
- Double flow rate compared to predecessor
- One housing nut replaces four screws
- Rotating air connection at 90° intervals
- For easy installation and removal
- Short overall length

#### Option:

- Individual configuration of the valve (see diagram)
- PN16 available as a configuration

NPT [inch]	DN [mm]	PN	kv-value ( $\Delta p=1$ bar) [l/min]	EPDM Code
1/2	15	6	125	<b>161 614 712</b>
3/4	20	6	271	<b>161 614 713</b>
1	25	6	481	<b>161 614 714</b>
1 1/4	32	6	759	<b>161 614 715</b>
1 1/2	40	6	1263	<b>161 614 716</b>
2	50	6	1728	<b>161 614 717</b>

table continued next page



NPT [inch]	D [mm]	D1_G [inch]	L [mm]	L2 [mm]	H [mm]	H1 [mm]	H2 [mm]	H3 [mm]	H7 [mm]	M	z [mm]	Lift = Hx [mm]
½	68	⅜	128	25	101	14	12	60	43	M6	96	7
¾	96	⅜	152	25	132	18	12	73	57	M6	114	10
1	96	⅜	166	25	143	22	12	84	57	M6	122	13
1 ¼	120	⅜	192	45	173	26	15	99	69	M8	140	14
1 ½	120	⅜	222	45	193	32	15	119	69	M8	160	16
2	120	⅜	266	45	205	39	15	132	69	M8	190	16



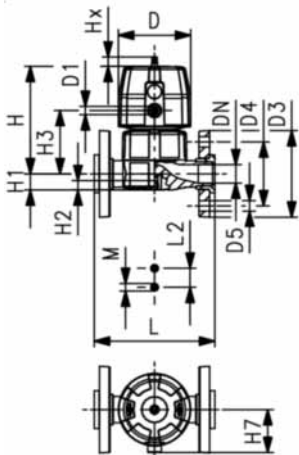
## Diaphragm valve DIASTAR Six PVC-U FC (Fail safe to close) With backing flanges PVC-U Inch ANSI

### Model:

- Double flow rate compared to predecessor
- One housing nut replaces four screws
- Rotating air connection at 90° intervals
- Flat sealing faces
- Overall length EN 558
- Connecting dimension: ANSI/ASME B 16.5 class 150, ASTM D 4024, BS 1560, BS EN 1759

### Option:

- Individual configuration of the valve (see diagram)



Inch	DN [mm]	PN	kv-value (Δp=1 bar) [l/min]	EPDM Code
½	15	6	125	<b>161 617 612</b>
¾	20	6	271	<b>161 617 613</b>
1	25	6	481	<b>161 617 614</b>
1 ¼	32	6	759	<b>161 617 615</b>
1 ½	40	6	1263	<b>161 617 616</b>
2	50	6	1728	<b>161 617 617</b>

Inch	D [mm]	D1_G [inch]	D3 [mm]	D4 [mm]	D5 [mm]	L [mm]	L2 [mm]	H [mm]	H1 [mm]	H2 [mm]	H3 [mm]	H7 [mm]	M	Lift = Hx [mm]
½	68	⅜	95	60	16	130	25	101	14	12	60	43	M6	7
¾	96	⅜	105	70	16	150	25	132	18	12	73	57	M6	10
1	96	⅜	115	79	16	160	25	143	22	12	84	57	M6	13
1 ¼	120	⅜	140	89	16	180	45	173	26	15	99	69	M8	14
1 ½	120	⅜	150	98	16	200	45	193	32	15	119	69	M8	16
2	120	⅜	165	121	19	230	45	205	39	15	132	69	M8	16



## Diaphragm valve DIASTAR Ten PVC-U FC (Fail safe to close) Unions with solvent cement sockets ASTM

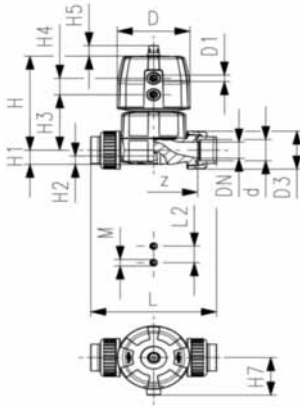
### Model:

- Double flow rate compared to predecessor
- One housing nut replaces four screws
- Rotating air connection at 90° intervals
- For easy installation and removal
- Short overall length

### Option:

- Individual configuration of the valve (see diagram)
- Comprehensive range of accessories available
- PN16 available as a configuration

\* PN: PTFE/EPDM



Inch	DN [mm]	PN [bar]	kv-value ( $\Delta p=1$ bar) [l/min]	EPDM Code	PTFE/EPDM Code
½	15	10/10*	125	<b>161 624 612</b>	<b>161 624 632</b>
¾	20	10/10*	271	<b>161 624 613</b>	<b>161 624 633</b>
1	25	10/10*	481	<b>161 624 614</b>	<b>161 624 634</b>
1 ¼	32	10/10*	759	<b>161 624 615</b>	<b>161 624 635</b>
1 ½	40	10/10*	1263	<b>161 624 616</b>	<b>161 624 636</b>
2	50	10/6*	1728	<b>161 624 617</b>	<b>161 624 637</b>

Inch	D [mm]	D1_G [inch]	L [mm]	L2 [mm]	H [mm]	H1 [mm]	H2 [mm]	H3 [mm]	H4 [mm]	H5 [mm]	H7 [mm]	M	z [mm]	Lift = Hx [mm]
½	68	⅜	136	25	101	14	12	60	24	16	43	M6	96	7
¾	96	⅝	160	25	132	18	12	73	25	16	57	M6	114	10
1	96	⅝	176	25	143	22	12	84	25	16	57	M6	122	13
1 ¼	120	⅝	198	45	173	26	15	99	26	26	69	M8	140	15
1 ½	150	¾	232	45	214	32	15	119	36	26	88	M8	160	19
2	150	¾	268	45	226	39	15	132	36	26	88	M8	190	23



## Diaphragm valve DIASTAR Ten PVC-U FC (Fail safe to close) Unions with threaded sockets NPT

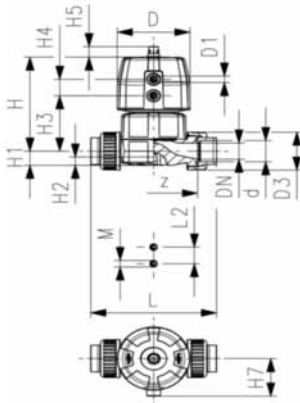
### Model:

- Double flow rate compared to predecessor
- One housing nut replaces four screws
- Rotating air connection at 90° intervals
- For easy installation and removal
- Short overall length

### Option:

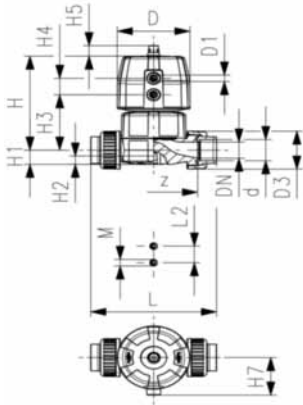
- Individual configuration of the valve (see diagram)
- Comprehensive range of accessories available
- PN16 available as a configuration

\* PN: PTFE/EPDM



NPT [inch]	DN [mm]	PN [bar]	kv-value ( $\Delta p=1$ bar) [l/min]	EPDM Code	PTFE/EPDM Code
½	15	10/10*	125	<b>161 624 712</b>	<b>161 624 732</b>
¾	20	10/10*	271	<b>161 624 713</b>	<b>161 624 733</b>
1	25	10/10*	481	<b>161 624 714</b>	<b>161 624 734</b>
1 ¼	32	10/10*	759	<b>161 624 715</b>	<b>161 624 735</b>
1 ½	40	10/10*	1263	<b>161 624 716</b>	<b>161 624 736</b>
2	50	10/6*	1728	<b>161 624 717</b>	<b>161 624 737</b>

table continued next page



NPT [inch]	D [mm]	D1_G [inch]	L [mm]	L2 [mm]	H [mm]	H1 [mm]	H2 [mm]	H3 [mm]	H4 [mm]	H5 [mm]	H7 [mm]	M	z [mm]	Lift = Hx [mm]
½	68	⅜	128	25	101	14	12	60	24	16	43	M6	96	7
¾	96	⅜	152	25	132	18	12	73	25	16	57	M6	114	10
1	96	⅜	166	25	143	22	12	84	25	16	57	M6	122	13
1 ¼	120	⅜	192	45	173	26	15	99	26	26	69	M8	140	15
1 ½	120	¼	222	45	214	32	15	119	36	26	88	M8	160	19
2	120	¼	266	45	226	39	15	132	36	26	88	M8	190	23



## Diaphragm valve DIASTAR Ten PVC-U FC (Fail safe to close) With backing flanges PVC-U Inch ANSI

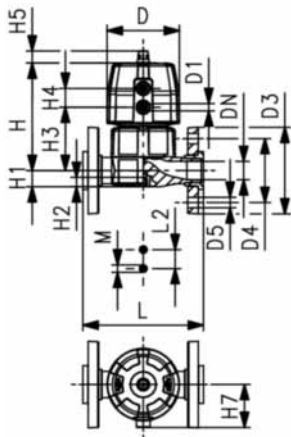
### Model:

- Double flow rate compared to predecessor
- One housing nut replaces four screws
- Rotating air connection at 90° intervals
- Flat sealing faces
- Overall length EN 558
- Connecting dimension: ANSI/ASME B 16.5 class 150, ASTM D 4024, BS 1560, BS EN 1759

### Option:

- Individual configuration of the valve (see diagram)
- Comprehensive range of accessories available

\* PN: PTFE/EPDM



Inch	DN [mm]	PN [bar]	kv-value (Δp=1 bar) [l/min]	EPDM Code	PTFE/EPDM Code
½	15	10/10*	125	161 627 612	161 627 632
¾	20	10/10*	271	161 627 613	161 627 633
1	25	10/10*	481	161 627 614	161 627 634
1 ¼	32	10/10*	759	161 627 615	161 627 635
1 ½	40	10/10*	1263	161 627 616	161 627 636
2	50	10/6*	1728	161 627 617	161 627 637

Inch	D [mm]	D1_G [inch]	D3 [mm]	D4 [mm]	D5 [mm]	L [mm]	L2 [mm]	H [mm]	H1 [mm]	H2 [mm]	H3 [mm]	H4 [mm]	H5 [mm]	H7 [mm]	M
½	68	⅜	95	60	16	130	25	101	14	12	60	24	16	43	M6
¾	96	⅜	105	70	16	150	25	132	18	12	73	25	16	57	M6
1	96	⅜	115	79	16	160	25	143	22	12	84	25	16	57	M6
1 ¼	120	⅜	140	89	16	180	45	173	26	15	99	26	26	69	M8
1 ½	150	¼	150	98	16	200	45	193	32	15	119	36	26	88	M8
2	150	¼	165	121	19	230	45	205	39	15	132	36	26	88	M8

Inch	Lift = Hx [mm]
½	7
¾	10
1	13
1 ¼	15
1 ½	19
2	23



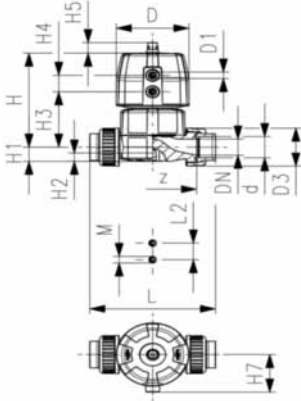
## Diaphragm valve DIASTAR Ten PVC-U FO (Fail safe to open) Unions with solvent cement sockets ASTM

### Model:

- Double flow rate compared to predecessor
- One housing nut replaces four screws
- Rotating air connection at 90° intervals
- For easy installation and removal
- Short overall length

### Option:

- Individual configuration of the valve (see diagram)
- Comprehensive range of accessories available
- PN16 available as a configuration



Inch	DN [mm]	PN [bar]	kv-value ( $\Delta p=1$ bar) [l/min]	EPDM Code	PTFE/EPDM Code
1/2	15	10	125	161 644 612	161 644 632
3/4	20	10	271	161 644 613	161 644 633
1	25	10	481	161 644 614	161 644 634
1 1/4	32	10	759	161 644 615	161 644 635
1 1/2	40	10	1263	161 644 616	161 644 636
2	50	10	1728	161 644 617	161 644 637

Inch	D [mm]	D1_G [inch]	L [mm]	L2 [mm]	H [mm]	H1 [mm]	H2 [mm]	H3 [mm]	H4 [mm]	H5 [mm]	H7 [mm]	M	z [mm]	Lift = Hx [mm]
1/2	68	1/8	136	25	101	14	12	60	24	16	43	M6	96	7
3/4	96	1/8	160	25	132	18	12	73	25	16	57	M6	114	10
1	96	1/8	176	25	143	22	12	84	25	16	57	M6	122	13
1 1/4	120	1/8	198	45	173	26	15	99	26	26	69	M8	140	15
1 1/2	150	1/4	232	45	214	32	15	119	36	26	88	M8	160	19
2	150	1/4	268	45	226	39	15	132	36	26	88	M8	190	23



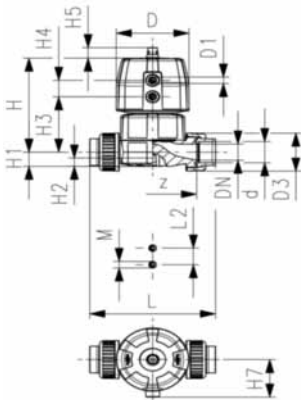
## Diaphragm valve DIASTAR Ten PVC-U FO (Fail safe to open) Unions with threaded sockets NPT

### Model:

- Double flow rate compared to predecessor
- One housing nut replaces four screws
- Rotating air connection at 90° intervals
- For easy installation and removal
- Short overall length

### Option:

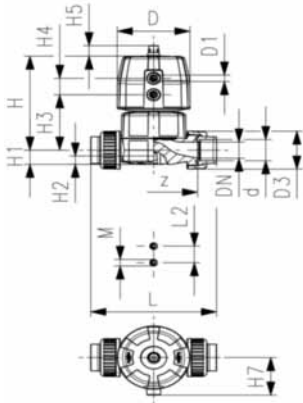
- Individual configuration of the valve (see diagram)
- Comprehensive range of accessories available
- PN16 available as a configuration



NPT [inch]	DN [mm]	PN [bar]	kv-value ( $\Delta p=1$ bar) [l/min]	EPDM Code	PTFE/EPDM Code
1/2	15	10	125	161 644 712	161 644 732
3/4	20	10	271	161 644 713	161 644 733
1	25	10	481	161 644 714	161 644 734
1 1/4	32	10	759	161 644 715	161 644 735
1 1/2	40	10	1263	161 644 716	161 644 736
2	50	10	1728	161 644 717	161 644 737

NPT [inch]	D [mm]	D1_G [inch]	L [mm]	L2 [mm]	H [mm]	H1 [mm]	H2 [mm]	H3 [mm]	H4 [mm]	H5 [mm]	H7 [mm]	M	z [mm]	Lift = Hx [mm]
1/2	68	1/8	128	25	101	14	12	60	24	16	43	M6	96	7
3/4	96	1/8	152	25	132	18	12	73	25	16	57	M6	114	10
1	96	1/8	166	25	143	22	12	84	25	16	57	M6	122	13

table continued next page



NPT [inch]	D [mm]	D1_G [inch]	L [mm]	L2 [mm]	H [mm]	H1 [mm]	H2 [mm]	H3 [mm]	H4 [mm]	H5 [mm]	H7 [mm]	M	z [mm]	Lift = Hx [mm]
1 ¼	120	½	192	45	173	26	15	99	26	26	69	M8	140	15
1 ½	150	¾	222	45	214	32	15	119	36	26	69	M8	160	19
2	150	¾	266	45	226	39	15	132	36	26	69	M8	190	23



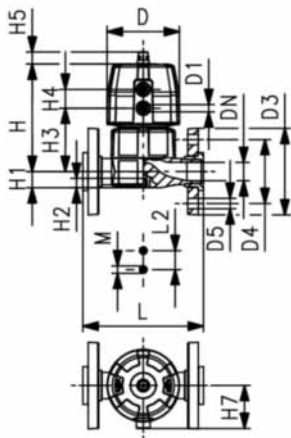
## Diaphragm valve DIASTAR Ten PVC-U FO (Fail safe to open) With backing flanges PVC-U Inch ANSI

### Model:

- Double flow rate compared to predecessor
- One housing nut replaces four screws
- Rotating air connection at 90° intervals
- Flat sealing faces
- Overall length EN 558
- Connecting dimension: ANSI/ASME B 16.5 class 150, ASTM D 4024, BS 1560, BS EN 1759

### Option:

- Individual configuration of the valve (see diagram)
- Comprehensive range of accessories available



Inch	DN [mm]	PN [bar]	kv-value (Δp=1 bar) [l/min]	EPDM Code	PTFE/EPDM Code
½	15	10	125	161 647 612	161 647 632
¾	20	10	271	161 647 613	161 647 633
1	25	10	481	161 647 614	161 647 634
1 ¼	32	10	759	161 647 615	161 647 635
1 ½	40	10	1263	161 647 616	161 647 636
2	50	10	1728	161 647 617	161 647 637

Inch	D [mm]	D1_G [inch]	D3 [mm]	D4 [mm]	D5 [mm]	L [mm]	L2 [mm]	H [mm]	H1 [mm]	H2 [mm]	H3 [mm]	H4 [mm]	H5 [mm]	H7 [mm]	M
½	68	⅜	95	60	16	130	25	101	14	12	60	24	16	43	M6
¾	96	⅜	105	70	16	150	25	132	18	12	73	25	16	57	M6
1	96	⅜	115	79	16	160	25	143	22	12	84	25	16	57	M6
1 ¼	120	⅜	140	89	16	180	45	173	26	15	99	26	26	69	M8
1 ½	150	¼	150	98	16	200	45	214	32	15	119	36	26	88	M8
2	150	¼	165	121	19	230	45	226	39	15	132	36	26	88	M8

Inch	Lift = Hx [mm]
½	7
¾	10
1	13
1 ¼	15
1 ½	19
2	23





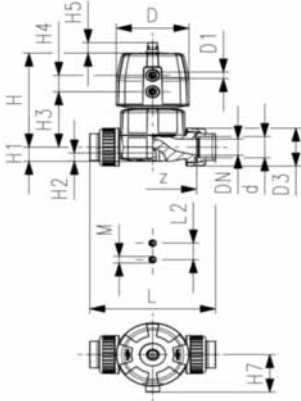
## Diaphragm valve DIASTAR Ten PVC-U DA (Double acting) Unions with solvent cement sockets ASTM

### Model:

- Double flow rate compared to predecessor
- One housing nut replaces four screws
- Rotating air connection at 90° intervals
- For easy installation and removal
- Short overall length

### Option:

- Individual configuration of the valve (see diagram)
- Comprehensive range of accessories available
- PN16 available as a configuration



Inch	DN [mm]	PN [bar]	kv-value ( $\Delta p=1$ bar) [l/min]	EPDM Code	PTFE/EPDM Code
1/2	15	10	125	<b>161 654 612</b>	<b>161 654 632</b>
3/4	20	10	271	<b>161 654 613</b>	<b>161 654 633</b>
1	25	10	481	<b>161 654 614</b>	<b>161 654 634</b>
1 1/4	32	10	759	<b>161 654 615</b>	<b>161 654 635</b>
1 1/2	40	10	1263	<b>161 654 616</b>	<b>161 654 636</b>
2	50	10	1728	<b>161 654 617</b>	<b>161 654 637</b>

Inch	D [mm]	D1_G [inch]	L [mm]	L2 [mm]	H [mm]	H1 [mm]	H2 [mm]	H3 [mm]	H4 [mm]	H5 [mm]	H7 [mm]	M	z [mm]	Lift = Hx [mm]
1/2	68	1/8	136	25	101	14	12	60	24	16	43	M6	96	7
3/4	96	1/8	160	25	132	18	12	73	25	16	57	M6	114	10
1	96	1/8	176	25	143	22	12	84	25	16	57	M6	122	13
1 1/4	120	1/8	198	45	173	26	15	99	26	26	69	M8	140	15
1 1/2	150	1/4	232	45	214	32	15	119	36	26	88	M8	160	19
2	150	1/4	268	45	226	39	15	132	36	26	88	M8	190	23



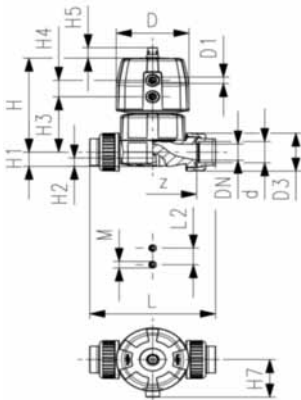
## Diaphragm valve DIASTAR Ten PVC-U DA (Double acting) Unions with threaded sockets NPT

### Model:

- Double flow rate compared to predecessor
- One housing nut replaces four screws
- Rotating air connection at 90° intervals
- For easy installation and removal
- Short overall length

### Option:

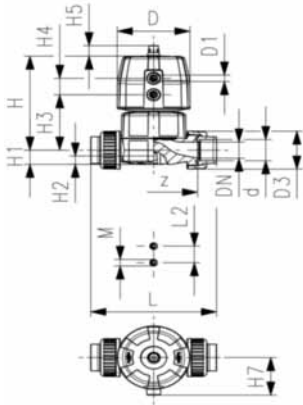
- Individual configuration of the valve (see diagram)
- Comprehensive range of accessories available
- PN16 available as a configuration



NPT [inch]	DN [mm]	PN [bar]	kv-value ( $\Delta p=1$ bar) [l/min]	EPDM Code	PTFE/EPDM Code
1/2	15	10	125	<b>161 654 712</b>	<b>161 654 732</b>
3/4	20	10	271	<b>161 654 713</b>	<b>161 654 733</b>
1	25	10	481	<b>161 654 714</b>	<b>161 654 734</b>
1 1/4	32	10	759	<b>161 654 715</b>	<b>161 654 735</b>
1 1/2	40	10	1263	<b>161 654 716</b>	<b>161 654 736</b>
2	50	10	1728	<b>161 654 717</b>	<b>161 654 737</b>

NPT [inch]	D [mm]	D1_G [inch]	L [mm]	L2 [mm]	H [mm]	H1 [mm]	H2 [mm]	H3 [mm]	H4 [mm]	H5 [mm]	H7 [mm]	M	z [mm]	Lift = Hx [mm]
1/2	68	1/8	128	25	101	14	12	60	45	16	43	M6	96	7
3/4	96	1/8	152	25	132	18	12	73	25	16	57	M6	114	10
1	96	1/8	166	25	143	22	12	84	25	16	57	M6	122	13

table continued next page



NPT [inch]	D [mm]	D1_G [inch]	L [mm]	L2 [mm]	H [mm]	H1 [mm]	H2 [mm]	H3 [mm]	H4 [mm]	H5 [mm]	H7 [mm]	M	z [mm]	Lift = Hx [mm]
1 ¼	120	½	192	45	173	26	15	99	26	26	69	M8	140	15
1 ½	150	¾	222	45	214	32	15	119	36	26	69	M8	160	19
2	150	¾	266	45	226	39	15	132	36	26	69	M8	190	23



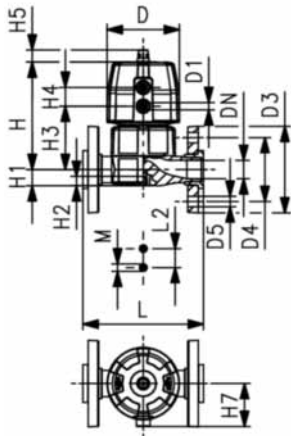
## Diaphragm valve DIASTAR Ten PVC-U DA (Double acting) With backing flanges PVC-U Inch ANSI

### Model:

- Double flow rate compared to predecessor
- One housing nut replaces four screws
- Rotating air connection at 90° intervals
- Flat sealing faces
- Overall length EN 558
- Connecting dimension: ANSI/ASME B 16.5 class 150, ASTM D 4024, BS 1560, BS EN 1759

### Option:

- Individual configuration of the valve (see diagram)
- Comprehensive range of accessories available



Inch	DN [mm]	PN [bar]	kv-value (Δp=1 bar) [l/min]	EPDM Code	PTFE/EPDM Code
½	15	10	125	161 657 612	161 657 632
¾	20	10	271	161 657 613	161 657 633
1	25	10	481	161 657 614	161 657 634
1 ¼	32	10	759	161 657 615	161 657 635
1 ½	40	10	1263	161 657 616	161 657 636
2	50	10	1728	161 657 617	161 657 637

Inch	D [mm]	D1_G [inch]	D3 [mm]	D4 [mm]	D5 [mm]	L [mm]	L2 [mm]	H [mm]	H1 [mm]	H2 [mm]	H3 [mm]	H4 [mm]	H5 [mm]	H7 [mm]	M
½	68	½	95	60	16	130	25	101	14	12	60	24	16	43	M6
¾	96	¾	105	70	16	150	25	132	18	12	73	25	16	57	M6
1	96	¾	115	79	16	160	25	143	22	12	84	25	16	57	M6
1 ¼	120	¾	140	89	16	180	45	173	26	15	99	26	26	69	M8
1 ½	150	¾	150	98	16	200	45	214	32	15	119	36	26	88	M8
2	150	¾	165	121	19	230	45	226	39	15	132	36	26	88	M8

Inch	Lift = Hx [mm]
½	7
¾	10
1	13
1 ¼	15
1 ½	19
2	23





## Diaphragm valve DIASTAR Sixteen PVC-U FC (Fail safe to close) Unions with solvent cement sockets ASTM

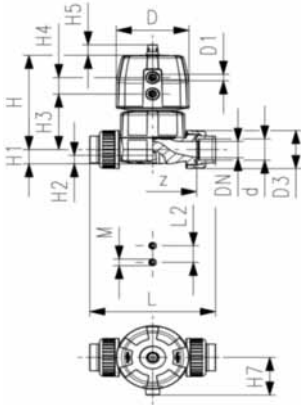
### Model:

- Double flow rate compared to predecessor
- One housing nut replaces four screws
- Rotating air connection at 90° intervals
- For easy installation and removal
- Short overall length

### Option:

- Individual configuration of the valve (see diagram)
- Comprehensive range of accessories available
- PN16 available as a configuration

\* PN: PTFE/EPDM



Inch	DN [mm]	PN [bar]	kv-value ( $\Delta p=1$ bar) [l/min]	EPDM Code	PTFE/EPDM Code
1/2	15	16/16*	125	161 634 612	161 634 632
3/4	20	16/16*	271	161 634 613	161 634 633
1	25	16/16*	481	161 634 614	161 634 634
1 1/4	32	16/16*	759	161 634 615	161 634 635
1 1/2	40	16/16*	1263	161 634 616	161 634 636
2	50	16/10*	1728	161 634 617	161 634 637

Inch	D [mm]	D1_G [inch]	L [mm]	L2 [mm]	H [mm]	H1 [mm]	H2 [mm]	H3 [mm]	H4 [mm]	H5 [mm]	H7 [mm]	M	z [mm]	Lift = Hx [mm]
1/2	96	1/8	141	25	127	14	12	68	25	16	57	M6	96	7
3/4	96	1/8	165	25	132	18	12	73	25	16	57	M6	114	10
1	120	1/8	180	25	167	22	12	93	26	26	69	M6	122	13
1 1/4	150	1/4	204	45	196	26	15	101	36	26	88	M8	140	15
1 1/2	180	1/4	230	45	239	32	15	124	37	26	103	M8	160	19
2	180	1/4	267	45	251	39	15	137	37	26	103	M8	190	23



## Diaphragm valve DIASTAR Sixteen PVC-U FC (Fail safe to close) Unions with threaded sockets NPT

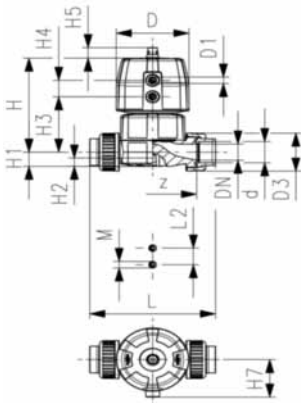
### Model:

- Double flow rate compared to predecessor
- One housing nut replaces four screws
- Rotating air connection at 90° intervals
- For easy installation and removal
- Short overall length

### Option:

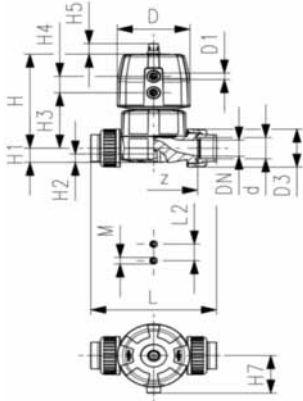
- Individual configuration of the valve (see diagram)
- Comprehensive range of accessories available
- PN16 available as a configuration

\* PN: PTFE/EPDM



NPT [inch]	DN [mm]	PN [bar]	kv-value ( $\Delta p=1$ bar) [l/min]	EPDM Code	PTFE/EPDM Code
1/2	15	16/16*	125	161 634 712	161 634 732
3/4	20	16/16*	271	161 634 713	161 634 733
1	25	16/16*	481	161 634 714	161 634 734
1 1/4	32	16/16*	759	161 634 715	161 634 735
1 1/2	40	16/16*	1263	161 634 716	161 634 736
2	50	16/10*	1728	161 634 717	161 634 737

table continued next page



NPT [inch]	D [mm]	D1_G [inch]	L [mm]	L2 [mm]	H [mm]	H1 [mm]	H2 [mm]	H3 [mm]	H4 [mm]	H5 [mm]	H7 [mm]	M	z [mm]	Lift = Hx [mm]
½	96	⅜	128	25	127	14	12	68	25	16	57	M6	96	7
¾	96	⅜	152	25	132	18	12	73	25	16	57	M6	114	10
1	120	⅜	166	25	167	22	12	93	26	26	69	M6	122	13
1 ¼	150	¼	192	45	196	26	15	101	36	26	88	M8	140	15
1 ½	180	¼	222	45	239	32	15	124	37	26	103	M8	160	19
2	180	¼	266	45	251	39	15	137	37	26	103	M8	190	23

## Diaphragm valve DIASTAR Sixteen PVC-U FC (Fail safe to close) With backing flanges PVC-U Inch ANSI

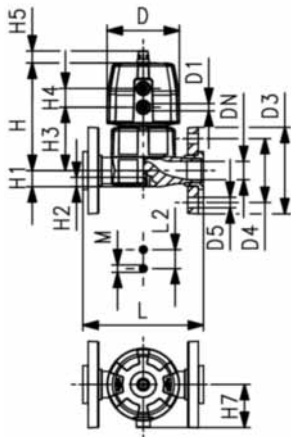
### Model:

- Double flow rate compared to predecessor
- One housing nut replaces four screws
- Rotating air connection at 90° intervals
- Flat sealing faces
- Overall length EN 558
- Connecting dimension: ANSI/ASME B 16.5 class 150, ASTM D 4024, BS 1560, BS EN 1759

### Option:

- Individual configuration of the valve (see diagram)
- Comprehensive range of accessories available

\* PN: PTFE/EPDM



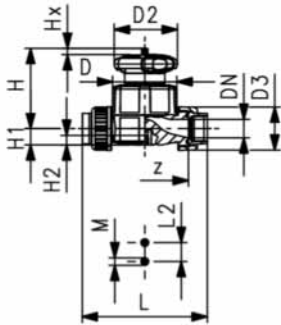
Inch	DN [mm]	PN [bar]	kv-value (Δp=1 bar) [l/min]	EPDM Code	PTFE/EPDM Code
½	15	10/10*	125	<b>161 637 612</b>	<b>161 637 632</b>
¾	20	10/10*	271	<b>161 637 613</b>	<b>161 637 633</b>
1	25	10/10*	481	<b>161 637 614</b>	<b>161 637 634</b>
1 ¼	32	10/10*	759	<b>161 637 615</b>	<b>161 637 635</b>
1 ½	40	10/10*	1263	<b>161 637 616</b>	<b>161 637 636</b>
2	50	10/10*	1728	<b>161 637 617</b>	<b>161 637 637</b>

Inch	D [mm]	D1_G [inch]	D3 [mm]	D4 [mm]	D5 [mm]	L [mm]	L2 [mm]	H [mm]	H1 [mm]	H2 [mm]	H3 [mm]	H4 [mm]	H5 [mm]	H7 [mm]	M
½	96	⅜	95	60	16	130	25	127	14	12	68	25	16	57	M6
¾	96	⅜	105	70	16	150	25	132	18	12	73	25	16	57	M6
1	120	⅜	115	79	16	160	25	167	22	12	93	26	26	69	M6
1 ¼	150	¼	140	89	16	180	45	196	26	15	101	36	26	88	M8
1 ½	180	¼	150	98	16	200	45	239	32	15	124	37	26	103	M8
2	180	¼	165	121	19	230	45	251	39	15	137	37	26	103	M8

Inch	Lift = Hx [mm]
½	7
¾	10
1	13
1 ¼	15
1 ½	19
2	23

# Diaphragm valves new generation

## Diaphragm valve type 514 PVC-U SF With solvent cement sockets BS



### Model:

- Silicone free / paint-compatible
- Double flow rate compared to predecessor
- One housing nut replaces four screws
- Handwheel with built-in locking mechanism
- For easy installation and removal
- Short overall length

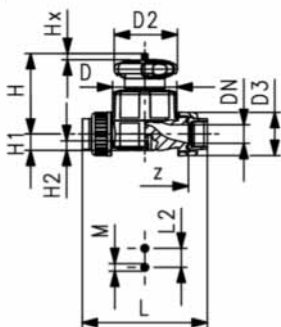
### Option:

- Individual configuration of the valve (see diagram)
- Self adjusting multifunctional module with integrated limit switches
- PN16 available as a configuration

Inch	DN [mm]	PN	kv-value ( $\Delta p=1$ bar) [l/min]	EPDM Code	PTFE/EPDM Code
1/2	15	10	125	<b>161 514 522</b>	<b>161 514 572</b>
3/4	20	10	271	<b>161 514 523</b>	<b>161 514 573</b>
1	25	10	481	<b>161 514 524</b>	<b>161 514 574</b>
1 1/4	32	10	759	<b>161 514 525</b>	<b>161 514 575</b>
1 1/2	40	10	1263	<b>161 514 526</b>	<b>161 514 576</b>
2	50	10	1728	<b>161 514 527</b>	<b>161 514 577</b>

Inch	D [mm]	D2 [mm]	D3 [mm]	L [mm]	L2 [mm]	H [mm]	H1 [mm]	H2 [mm]	M	z [mm]	Lift = Hx [mm]
1/2	65	65	43	128	25	73	14	12	M6	96	7
3/4	80	65	51	152	25	81	18	12	M6	114	10
1	88	87	58	166	25	107	22	12	M6	122	13
1 1/4	101	87	72	192	45	115	26	15	M8	140	15
1 1/2	117	135	83	222	45	148	32	15	M8	160	19
2	144	135	100	266	45	166	39	15	M8	190	25

## Diaphragm valve type 514 PVC-U SF With solvent cement sockets ASTM



### Model:

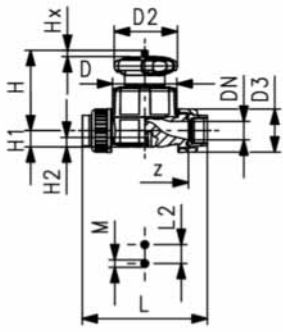
- Silicone free / paint-compatible
- Double flow rate compared to predecessor
- One housing nut replaces four screws
- Handwheel with built-in locking mechanism
- For easy installation and removal
- Short overall length

### Option:

- Individual configuration of the valve (see diagram)
- Self adjusting multifunctional module with integrated limit switches
- PN16 available as a configuration

Inch	DN [mm]	PN	kv-value ( $\Delta p=1$ bar) [l/min]	EPDM Code	PTFE/EPDM Code
1/2	15	10	125	<b>161 514 622</b>	<b>161 514 672</b>
3/4	20	10	271	<b>161 514 623</b>	<b>161 514 673</b>
1	25	10	481	<b>161 514 624</b>	<b>161 514 674</b>
1 1/4	32	10	759	<b>161 514 625</b>	<b>161 514 675</b>
1 1/2	40	10	1263	<b>161 514 626</b>	<b>161 514 676</b>
2	50	10	1728	<b>161 514 627</b>	<b>161 514 677</b>

table continued next page



Inch	D [mm]	D2 [mm]	D3 [mm]	L [mm]	L2 [mm]	H [mm]	H1 [mm]	H2 [mm]	M	z [mm]	Lift = Hx [mm]
½	65	65	43	136	25	73	14	12	M6	96	7
¾	80	65	51	160	25	81	18	12	M6	114	10
1	88	87	58	176	25	107	22	12	M6	122	13
1 ¼	101	87	72	198	45	115	26	15	M8	140	15
1 ½	117	135	83	232	45	148	32	15	M8	160	19
2	144	135	100	268	45	166	39	15	M8	190	25



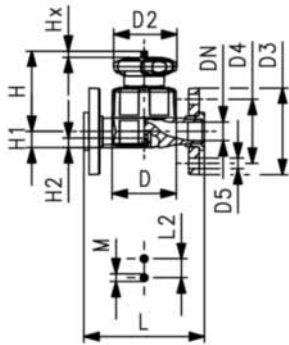
## Diaphragm valve type 517 PVC-U SF With backing flanges PVC-U Inch ANSI

### Model:

- Silicone free / paint-compatible
- Double flow rate compared to predecessor
- One housing nut replaces four screws
- Handwheel with built-in locking mechanism
- Overall length EN 558
- Connecting dimension: ANSI/ASME B 16.5 class 150, ASTM D 4024, BS 1560, BS EN 1759
- Flat sealing faces

### Option:

- Individual configuration of the valve (see diagram)
- Self adjusting multifunctional module with integrated limit switches

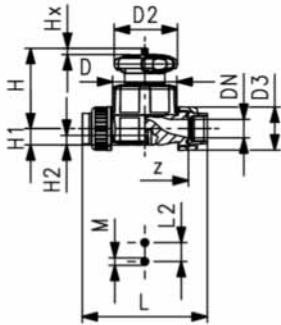


Inch	DN [mm]	PN	kv-value ( $\Delta p=1$ bar) [l/min]	EPDM Code	PTFE/EPDM Code
½	15	10	125	<b>161 517 622</b>	<b>161 517 672</b>
¾	20	10	271	<b>161 517 623</b>	<b>161 517 673</b>
1	25	10	481	<b>161 517 624</b>	<b>161 517 674</b>
1 ¼	32	10	759	<b>161 517 625</b>	<b>161 517 675</b>
1 ½	40	10	1263	<b>161 517 626</b>	<b>161 517 676</b>
2	50	10	1728	<b>161 517 627</b>	<b>161 517 677</b>

Inch	D [mm]	D2 [mm]	D3 [mm]	D4 [mm]	D5 [mm]	L [mm]	L2 [mm]	H [mm]	H1 [mm]	H2 [mm]	M	Lift = Hx [mm]
½	65	65	95	60	16	130	25	73	14	12	M6	7
¾	80	65	105	70	16	150	25	81	18	12	M6	10
1	88	87	115	79	16	160	25	107	22	12	M6	13
1 ¼	101	87	140	89	16	180	45	115	26	15	M8	15
1 ½	117	135	150	98	16	200	45	148	32	15	M8	19
2	144	135	165	121	19	230	45	166	39	15	M8	25

# Diaphragm valves new generation

## Diaphragm valve type 514 PVC-U With solvent cement sockets JIS



### Model:

- Double flow rate compared to predecessor
- One housing nut replaces four screws
- Handwheel with built-in locking mechanism
- For easy installation and removal
- Short overall length

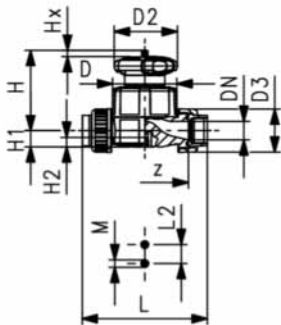
### Option:

- Individual configuration of the valve (see diagram)
- Self adjusting multifunctional module with integrated limit switches
- PN16 available as a configuration

Inch	DN [mm]	PN	kv-value ( $\Delta p=1$ bar) [l/min]	EPDM Code	PTFE/EPDM Code
1/2	15	10	125	161 514 812	161 514 832
3/4	20	10	271	161 514 813	161 514 833
1	25	10	481	161 514 814	161 514 834
1 1/4	32	10	759	161 514 815	161 514 835
1 1/2	40	10	1263	161 514 816	161 514 836
2	50	10	1728	161 514 817	161 514 837

Inch	D [mm]	D2 [mm]	D3 [mm]	L [mm]	L2 [mm]	H [mm]	H1 [mm]	H2 [mm]	M	z [mm]	Lift = Hx [mm]
1/2	80	65	51	152	25	81	18	12	M6	120	10
3/4	80	65	51	152	25	81	18	12	M6	114	10
1	88	87	58	166	25	107	22	12	M6	122	13
1 1/4	101	87	72	192	45	115	26	15	M8	140	15
1 1/2	117	135	83	222	45	148	32	15	M8	160	19
2	144	135	100	266	45	166	39	15	M8	190	25

## Diaphragm valve type 514 PVC-U With threaded sockets Rc



### Model:

- Double flow rate compared to predecessor
- One housing nut replaces four screws
- Handwheel with built-in locking mechanism
- For easy installation and removal
- Short overall length

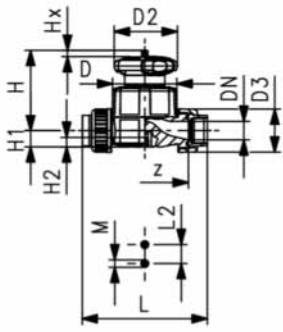
### Option:

- Individual configuration of the valve (see diagram)
- Self adjusting multifunctional module with integrated limit switches
- PN16 available as a configuration

Rc [inch]	DN [mm]	PN	kv-value ( $\Delta p=1$ bar) [l/min]	EPDM Code	PTFE/EPDM Code
1/2	15	10	125	161 514 912	161 514 932
3/4	20	10	271	161 514 913	161 514 933
1	25	10	481	161 514 914	161 514 934
1 1/4	32	10	759	161 514 915	161 514 935
1 1/2	40	10	1263	161 514 916	161 514 936
2	50	10	1728	161 514 917	161 514 937

Rc [inch]	D [mm]	D2 [mm]	D3 [mm]	L [mm]	L2 [mm]	H [mm]	H1 [mm]	H2 [mm]	M	z [mm]	Lift = Hx [mm]
1/2	80	65	51	152	25	81	18	12	M6	120	10
3/4	80	65	51	152	25	81	18	12	M6	114	10
1	88	87	58	166	25	107	22	12	M6	122	13

table continued next page



Rc [inch]	D [mm]	D2 [mm]	D3 [mm]	L [mm]	L2 [mm]	H [mm]	H1 [mm]	H2 [mm]	M	z [mm]	Lift = Hx [mm]
1 ¼	101	87	72	192	45	115	26	15	M8	140	15
1 ½	117	135	83	222	45	148	32	15	M8	160	19
2	144	135	100	266	45	166	39	15	M8	190	25



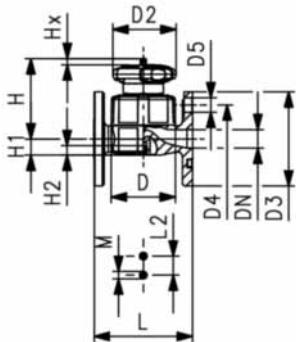
## Diaphragm valve type 517 PVC-U With fixed flanges PVC-U JIS

### Model:

- Double flow rate compared to predecessor
- One housing nut replaces four screws
- Handwheel with built-in locking mechanism
- Connecting dimension: JIS B2238/39 10K
- Flat sealing faces/serrated

### Option:

- Individual configuration of the valve (see diagram)
- Self adjusting multifunctional module with integrated limit switches



Inch	DN [mm]	PN	kv-value (Δp=1 bar) [l/min]	EPDM Code	PTFE/EPDM Code
½	15	10	125	<b>161 517 912</b>	<b>161 517 932</b>
¾	20	10	271	<b>161 517 913</b>	<b>161 517 933</b>
1	25	10	481	<b>161 517 914</b>	<b>161 517 934</b>
1 ¼	32	10	759	<b>161 517 915</b>	<b>161 517 935</b>
1 ½	40	10	1263	<b>161 517 916</b>	<b>161 517 936</b>
2	50	10	1728	<b>161 517 917</b>	<b>161 517 937</b>

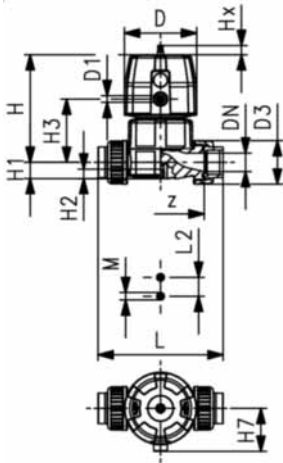
Inch	D [mm]	D2 [mm]	D3 [mm]	D4 [mm]	D5 [mm]	L [mm]	L2 [mm]	H [mm]	H1 [mm]	H2 [mm]	M	Lift = Hx [mm]
½	65	65	95	70	15	110	25	73	14	12	M6	7
¾	80	65	100	75	15	120	25	81	18	12	M6	10
1	88	87	125	90	19	130	25	107	22	12	M6	13
1 ¼	101	87	135	100	19	180	45	115	26	15	M8	15
1 ½	117	135	140	105	19	180	45	148	32	15	M8	19
2	144	135	155	120	19	210	45	166	39	15	M8	25



# Diaphragm valves pneumatic

## New generation

### Diaphragm valve DIASTAR Six PVC-U FC (Fail safe to close) Unions with solvent cement sockets JIS



**Model:**

- Double flow rate compared to predecessor
- One housing nut replaces four screws
- Rotating air connection at 90° intervals
- For easy installation and removal
- Short overall length

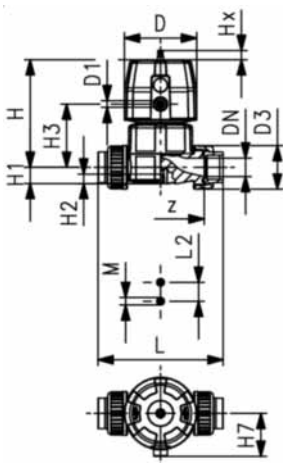
**Option:**

- Individual configuration of the valve (see diagram)
- PN16 available as a configuration

Inch	DN [mm]	PN	kv-value ( $\Delta p=1$ bar) [l/min]	EPDM Code
1/2	15	6	125	<b>161 614 812</b>
3/4	20	6	271	<b>161 614 813</b>
1	25	6	481	<b>161 614 814</b>
1 1/4	32	6	759	<b>161 614 815</b>
1 1/2	40	6	1263	<b>161 614 816</b>
2	50	6	1728	<b>161 614 817</b>

Inch	D [mm]	D1_G [inch]	L [mm]	L2 [mm]	H [mm]	H1 [mm]	H2 [mm]	H3 [mm]	H7 [mm]	M	z [mm]	Lift = Hx [mm]
1/2	96	1/8	152	25	132	18	12	73	57	M6	120	10
3/4	96	1/8	152	25	132	18	12	73	57	M6	114	10
1	96	1/8	166	25	143	22	12	84	57	M6	122	13
1 1/4	120	1/8	192	45	173	26	15	99	69	M6	140	14
1 1/2	120	1/8	222	45	193	32	15	119	69	M6	160	16
2	120	1/8	266	45	205	39	15	132	69	M6	190	16

### Diaphragm valve DIASTAR Six PVC-U FC (Fail safe to close) Unions with threaded sockets Rc



**Model:**

- Double flow rate compared to predecessor
- One housing nut replaces four screws
- Rotating air connection at 90° intervals
- For easy installation and removal
- Short overall length

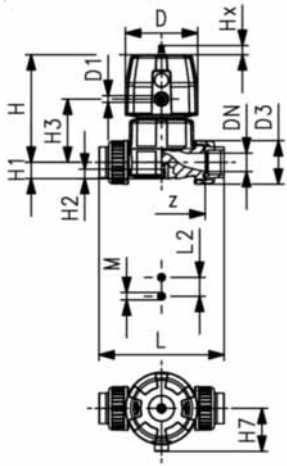
**Option:**

- Individual configuration of the valve (see diagram)
- PN16 available as a configuration

Rc [inch]	DN [mm]	PN	kv-value ( $\Delta p=1$ bar) [l/min]	EPDM Code
1/2	15	6	125	<b>161 614 912</b>
3/4	20	6	271	<b>161 614 913</b>
1	25	6	481	<b>161 614 914</b>
1 1/4	32	6	759	<b>161 614 915</b>
1 1/2	40	6	1263	<b>161 614 916</b>
2	50	6	1728	<b>161 614 917</b>

table continued next page





Rc [inch]	D [mm]	D1_G [inch]	L [mm]	L2 [mm]	H [mm]	H1 [mm]	H2 [mm]	H3 [mm]	H7 [mm]	M	z [mm]	Lift = Hx [mm]
1/2	96	1/8	152	25	132	18	12	73	57	M6	120	10
3/4	96	1/8	152	25	132	18	12	73	57	M6	114	10
1	96	1/8	166	25	143	22	12	84	57	M6	122	13
1 1/4	120	1/8	192	45	173	26	15	99	69	M6	140	14
1 1/2	120	1/8	222	45	193	32	15	119	69	M6	160	16
2	120	1/8	266	45	205	39	15	132	69	M6	190	16



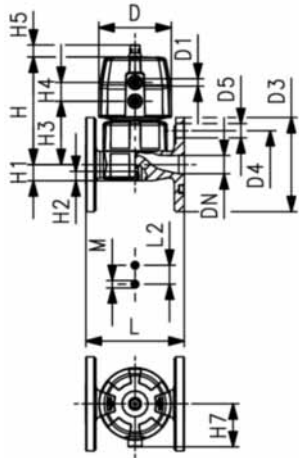
## Diaphragm valve DIASTAR Six PVC-U FC (Fail safe to close) With fixed flanges PVC-U JIS

### Model:

- Double flow rate compared to predecessor
- One housing nut replaces four screws
- Rotating air connection at 90° intervals
- Flat sealing faces/serrated
- Connecting dimension: JIS B2238/39 10K

### Option:

- Individual configuration of the valve (see diagram)



Inch	DN [mm]	PN	kv-value (Δp=1 bar) [l/min]	EPDM Code
1/2	15	6	125	161 617 912
3/4	20	6	271	161 617 913
1	25	6	481	161 617 914
1 1/4	32	6	759	161 617 915
1 1/2	40	6	1263	161 617 916
2	50	6	1728	161 617 917

Inch	D [mm]	D1_G [inch]	D3 [mm]	D4 [mm]	D5 [mm]	L [mm]	L2 [mm]	H [mm]	H1 [mm]	H2 [mm]	H3 [mm]	H7 [mm]	M	Lift = Hx [mm]
1/2	68	1/8	95	70	15	110	25	101	14	12	60	43	M6	7
3/4	96	1/8	100	75	15	120	25	132	18	12	73	57	M6	10
1	96	1/8	125	90	15	130	25	143	22	12	84	57	M6	13
1 1/4	120	1/8	135	100	19	180	45	173	26	15	99	69	M6	14
1 1/2	120	1/8	140	105	19	180	45	193	32	15	119	69	M6	16
2	120	1/8	155	120	19	210	45	205	39	15	132	69	M6	16



## Diaphragm valve DIASTAR Ten PVC-U FC (Fail safe to close) Unions with solvent cement sockets JIS

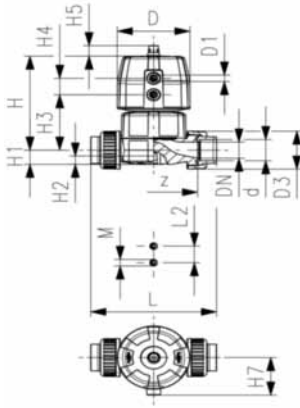
### Model:

- Double flow rate compared to predecessor
- One housing nut replaces four screws
- Rotating air connection at 90° intervals
- For easy installation and removal
- Short overall length

### Option:

- Individual configuration of the valve (see diagram)
- Comprehensive range of accessories available
- PN16 available as a configuration

\* PN: PTFE/EPDM



Inch	DN [mm]	PN [bar]	kv-value ( $\Delta p=1$ bar) [l/min]	EPDM Code	PTFE/EPDM Code
1/2	15	10/10*	125	161 624 812	161 624 832
3/4	20	10/10*	271	161 624 813	161 624 833
1	25	10/10*	481	161 624 814	161 624 834
1 1/4	32	10/10*	759	161 624 815	161 624 835
1 1/2	40	10/10*	1263	161 624 816	161 624 836
2	50	10/6*	1728	161 624 817	161 624 837

Inch	D [mm]	D1_G [inch]	L [mm]	L2 [mm]	H [mm]	H1 [mm]	H2 [mm]	H3 [mm]	H4 [mm]	H5 [mm]	H7 [mm]	M	z [mm]	Lift = Hx [mm]
1/2	96	1/8	152	25	132	18	12	73	25	16	57	M6	120	10
3/4	96	1/8	152	25	132	18	12	73	25	16	57	M6	144	10
1	96	1/8	166	25	143	22	12	84	25	16	57	M6	122	13
1 1/4	120	1/8	192	45	173	26	15	99	26	26	69	M8	140	15
1 1/2	150	1/4	222	45	214	32	15	119	36	26	88	M8	160	19
2	150	1/4	266	45	226	39	15	132	36	26	88	M8	190	23



## Diaphragm valve DIASTAR Ten PVC-U FC (Fail safe to close) Unions with threaded sockets Rc

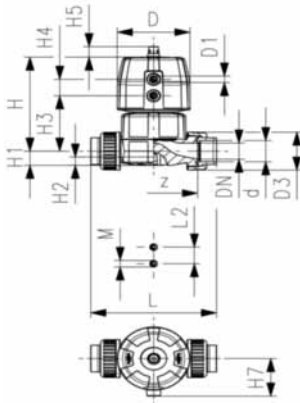
### Model:

- Double flow rate compared to predecessor
- One housing nut replaces four screws
- Rotating air connection at 90° intervals
- For easy installation and removal
- Short overall length

### Option:

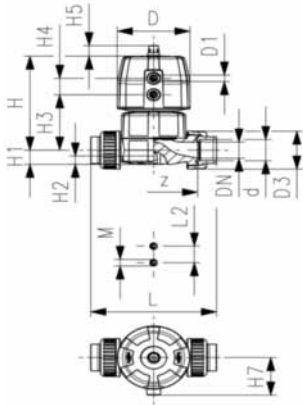
- Individual configuration of the valve (see diagram)
- Comprehensive range of accessories available
- PN16 available as a configuration

\* PN: PTFE/EPDM



Rc [inch]	DN [mm]	PN [bar]	kv-value ( $\Delta p=1$ bar) [l/min]	EPDM Code	PTFE/EPDM Code
1/2	15	10/10*	125	161 624 912	161 624 932
3/4	20	10/10*	271	161 624 913	161 624 933
1	25	10/10*	481	161 624 914	161 624 934
1 1/4	32	10/10*	759	161 624 915	161 624 935
1 1/2	40	10/10*	1263	161 624 916	161 624 936
2	50	10/6*	1728	161 624 917	161 624 937

table continued next page



Rc	D	D1_G	L	L2	H	H1	H2	H3	H4	H5	H7	M	z	Lift = Hx
[inch]	[mm]	[inch]	[mm]	[mm]	[mm]	[mm]	[mm]	[mm]	[mm]	[mm]	[mm]		[mm]	[mm]
½	96	⅜	152	25	132	18	12	73	25	16	57	M6	120	10
¾	96	⅜	152	25	132	18	12	73	25	16	57	M6	114	10
1	96	⅜	166	25	143	22	12	84	25	16	57	M6	122	13
1 ¼	120	⅜	192	45	173	26	15	99	26	26	69	M8	140	15
1 ½	120	¼	222	45	214	32	15	119	36	26	88	M8	160	19
2	120	¼	266	45	226	39	15	132	36	26	88	M8	190	23



## Diaphragm valve DIASTAR Ten PVC-U FC (Fail safe to close) With fixed flanges PVC-U JIS

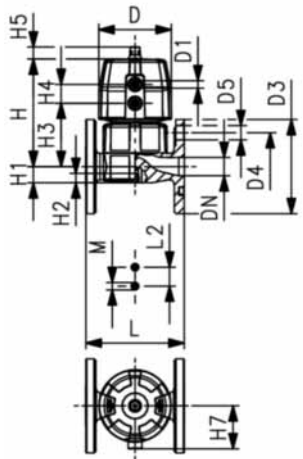
### Model:

- Double flow rate compared to predecessor
- One housing nut replaces four screws
- Rotating air connection at 90° intervals
- Flat sealing faces/serrated
- Connecting dimension: JIS B2238/39 10K

### Option:

- Individual configuration of the valve (see diagram)
- Comprehensive range of accessories available

\* PN: PTFE/EPDM



Inch	DN	PN	kv-value	EPDM	PTFE/EPDM
	[mm]	[bar]	(Δp=1 bar)	Code	Code
			[l/min]		
½	15	10/10*	125	161 627 912	161 627 932
¾	20	10/10*	271	161 627 913	161 627 933
1	25	10/10*	481	161 627 914	161 627 934
1 ¼	32	10/10*	759	161 627 915	161 627 935
1 ½	40	10/10*	1263	161 627 916	161 627 936
2	50	10/6*	1728	161 627 917	161 627 937

Inch	D	D1_G	D3	D4	D5	L	L2	H	H1	H2	H3	H4	H5	H7	M
	[mm]	[inch]	[mm]	[mm]	[mm]	[mm]	[mm]	[mm]	[mm]	[mm]	[mm]	[mm]	[mm]	[mm]	
½	68	⅜	95	70	15	110	25	101	14	12	60	24	16	43	M6
¾	96	⅜	100	75	15	120	25	132	18	12	73	25	16	57	M6
1	96	⅜	125	90	19	130	25	143	22	12	84	25	16	57	M6
1 ¼	120	⅜	135	100	19	180	45	173	26	15	99	26	26	69	M8
1 ½	150	¼	140	105	19	180	45	193	32	15	119	36	26	88	M8
2	150	¼	155	120	19	210	45	205	39	15	132	36	26	88	M8

Inch	Lift = Hx
	[mm]
½	7
¾	10
1	13
1 ¼	15
1 ½	19
2	23



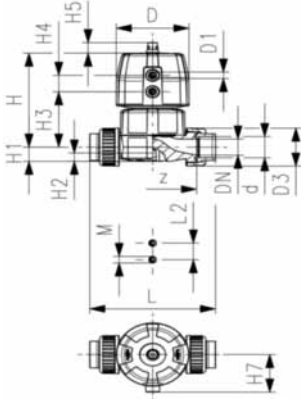
## Diaphragm valve DIASTAR Ten PVC-U FO (Fail safe to open) Unions with solvent cement sockets JIS

### Model:

- Double flow rate compared to predecessor
- One housing nut replaces four screws
- Rotating air connection at 90° intervals
- For easy installation and removal
- Short overall length

### Option:

- Individual configuration of the valve (see diagram)
- Comprehensive range of accessories available
- PN16 available as a configuration



Inch	DN [mm]	PN [bar]	kv-value ( $\Delta p=1$ bar) [l/min]	EPDM Code	PTFE/EPDM Code
1/2	15	10	125	161 644 812	161 644 832
3/4	20	10	271	161 644 813	161 644 833
1	25	10	481	161 644 814	161 644 834
1 1/4	32	10	759	161 644 815	161 644 835
1 1/2	40	10	1263	161 644 816	161 644 836
2	50	10	1728	161 644 817	161 644 837

Inch	D [mm]	D1_G [inch]	L [mm]	L2 [mm]	H [mm]	H1 [mm]	H2 [mm]	H3 [mm]	H4 [mm]	H5 [mm]	H7 [mm]	M	z [mm]	Lift = Hx [mm]
1/2	96	1/8	152	25	132	18	12	73	25	16	57	M6	120	10
3/4	96	1/8	152	25	132	18	12	73	25	16	57	M6	114	10
1	96	1/8	166	25	143	22	12	84	25	16	57	M6	122	13
1 1/4	120	1/8	192	45	173	26	15	99	26	26	69	M8	140	15
1 1/2	150	1/4	222	45	214	32	15	119	36	26	88	M8	160	19
2	150	1/4	266	45	226	39	15	132	36	26	88	M8	190	23



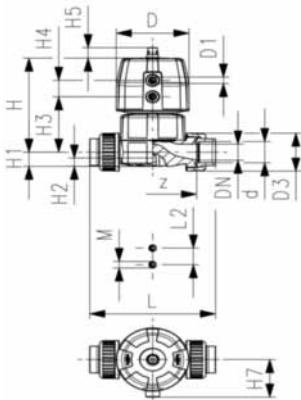
## Diaphragm valve DIASTAR Ten PVC-U FO (Fail safe to open) Unions with threaded sockets Rc

### Model:

- Double flow rate compared to predecessor
- One housing nut replaces four screws
- Rotating air connection at 90° intervals
- For easy installation and removal
- Short overall length

### Option:

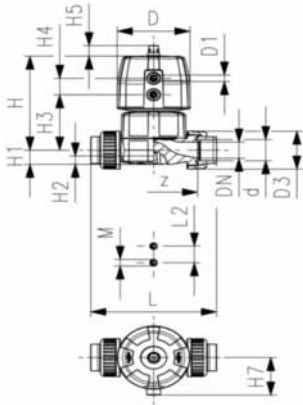
- Individual configuration of the valve (see diagram)
- Comprehensive range of accessories available
- PN16 available as a configuration



Rc [inch]	DN [mm]	PN [bar]	kv-value ( $\Delta p=1$ bar) [l/min]	EPDM Code	PTFE/EPDM Code
1/2	15	10	125	161 644 912	161 644 932
3/4	20	10	271	161 644 913	161 644 933
1	25	10	481	161 644 914	161 644 934
1 1/4	32	10	759	161 644 915	161 644 935
1 1/2	40	10	1263	161 644 916	161 644 936
2	50	10	1728	161 644 917	161 644 937

Rc [inch]	D [mm]	D1_G [inch]	L [mm]	L2 [mm]	H [mm]	H1 [mm]	H2 [mm]	H3 [mm]	H4 [mm]	H5 [mm]	H7 [mm]	M	z [mm]	Lift = Hx [mm]
1/2	96	1/8	152	25	132	18	12	73	25	16	57	M6	120	10
3/4	96	1/8	152	25	132	18	12	73	25	16	57	M6	114	10
1	96	1/8	166	25	143	22	12	84	25	16	57	M6	122	13

table continued next page



Rc [inch]	D [mm]	D1_G [inch]	L [mm]	L2 [mm]	H [mm]	H1 [mm]	H2 [mm]	H3 [mm]	H4 [mm]	H5 [mm]	H7 [mm]	M	z [mm]	Lift = Hx [mm]
1 ¼	120	½	192	45	173	26	15	99	26	26	69	M8	140	15
1 ½	150	¾	222	45	214	32	15	119	36	26	69	M8	160	19
2	150	¾	266	45	226	39	15	132	36	26	69	M8	190	23



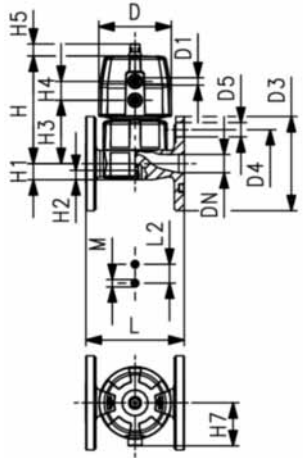
## Diaphragm valve DIASTAR Ten PVC-U FO (Fail safe to open) With fixed flanges PVC-U JIS

### Model:

- Double flow rate compared to predecessor
- One housing nut replaces four screws
- Rotating air connection at 90° intervals
- Flat sealing faces/serrated
- Connecting dimension: JIS B2238/39 10K

### Option:

- Individual configuration of the valve (see diagram)
- Comprehensive range of accessories available



Inch	DN [mm]	PN [bar]	kv-value (Δp=1 bar) [l/min]	EPDM Code	PTFE/EPDM Code
½	15	10	125	161 647 912	161 647 932
¾	20	10	271	161 647 913	161 647 933
1	25	10	481	161 647 914	161 647 934
1 ¼	32	10	759	161 647 915	161 647 935
1 ½	40	10	1263	161 647 916	161 647 936
2	50	10	1728	161 647 917	161 647 937

Inch	D [mm]	D1_G [inch]	D3 [mm]	D4 [mm]	D5 [mm]	L [mm]	L2 [mm]	H [mm]	H1 [mm]	H2 [mm]	H3 [mm]	H4 [mm]	H5 [mm]	H7 [mm]	M
½	68	½	95	70	15	110	25	101	14	12	60	24	16	43	M6
¾	96	¾	100	75	15	120	25	132	18	12	73	25	16	57	M6
1	96	¾	125	90	19	130	25	143	22	12	84	25	16	57	M6
1 ¼	120	¾	135	100	19	180	45	173	26	15	99	26	26	69	M8
1 ½	150	¾	140	105	19	180	45	214	32	15	119	36	26	88	M8
2	150	¾	155	120	19	210	45	226	39	15	132	36	26	88	M8

Inch	Lift = Hx [mm]
½	7
¾	10
1	13
1 ¼	15
1 ½	19
2	23



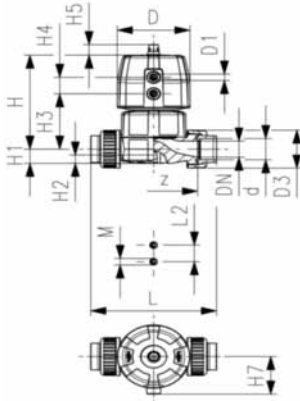
## Diaphragm valve DIASTAR Ten PVC-U DA (Double acting) Unions with solvent cement sockets JIS

### Model:

- Double flow rate compared to predecessor
- One housing nut replaces four screws
- Rotating air connection at 90° intervals
- For easy installation and removal
- Short overall length

### Option:

- Individual configuration of the valve (see diagram)
- Comprehensive range of accessories available
- PN16 available as a configuration



Inch	DN [mm]	PN [bar]	kv-value ( $\Delta p=1$ bar) [l/min]	EPDM Code	PTFE/EPDM Code
1/2	15	10	125	161 654 812	161 654 832
3/4	20	10	271	161 654 813	161 654 833
1	25	10	481	161 654 814	161 654 834
1 1/4	32	10	759	161 654 815	161 654 835
1 1/2	40	10	1263	161 654 816	161 654 836
2	50	10	1728	161 654 817	161 654 837

Inch	D [mm]	D1_G [inch]	L [mm]	L2 [mm]	H [mm]	H1 [mm]	H2 [mm]	H3 [mm]	H4 [mm]	H5 [mm]	H7 [mm]	M	z [mm]	Lift = Hx [mm]
1/2	96	1/8	152	25	132	18	12	73	25	16	57	M6	120	10
3/4	96	1/8	152	25	132	18	12	73	25	16	57	M6	114	10
1	96	1/8	166	25	143	22	12	84	25	16	57	M6	122	13
1 1/4	120	1/8	192	45	173	26	15	99	26	26	69	M8	140	15
1 1/2	150	1/4	222	45	214	32	15	119	36	26	88	M8	160	19
2	150	1/4	266	45	226	39	15	132	36	26	88	M8	190	23



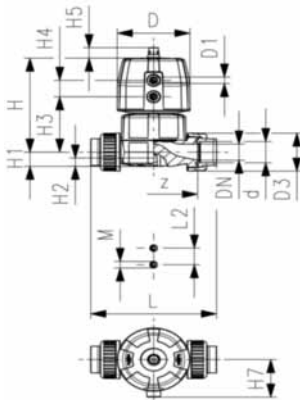
## Diaphragm valve DIASTAR Ten PVC-U DA (Double acting) Unions with threaded sockets Rc

### Model:

- Double flow rate compared to predecessor
- One housing nut replaces four screws
- Rotating air connection at 90° intervals
- For easy installation and removal
- Short overall length

### Option:

- Individual configuration of the valve (see diagram)
- Comprehensive range of accessories available
- PN16 available as a configuration

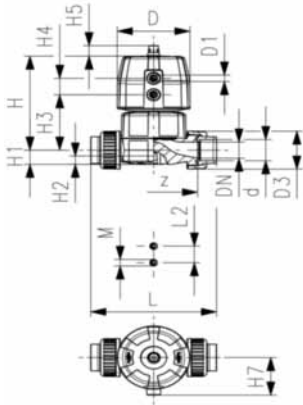


Rc [inch]	DN [mm]	PN [bar]	kv-value ( $\Delta p=1$ bar) [l/min]	EPDM Code	PTFE/EPDM Code
1/2	15	10	125	161 654 912	161 654 932
3/4	20	10	271	161 654 913	161 654 933
1	25	10	481	161 654 914	161 654 934
1 1/4	32	10	759	161 654 915	161 654 935
1 1/2	40	10	1263	161 654 916	161 654 936
2	50	10	1728	161 654 917	161 654 937

Rc [inch]	D [mm]	D1_G [inch]	L [mm]	L2 [mm]	H [mm]	H1 [mm]	H2 [mm]	H3 [mm]	H4 [mm]	H5 [mm]	H7 [mm]	M	z [mm]	Lift = Hx [mm]
1/2	96	1/8	152	25	132	18	12	73	25	16	57	M6	120	10
3/4	96	1/8	152	25	132	18	12	73	25	16	57	M6	114	10
1	96	1/8	166	25	143	22	12	84	25	16	57	M6	122	13

table continued next page





Rc	D	D1_G	L	L2	H	H1	H2	H3	H4	H5	H7	M	z	Lift = Hx
[inch]	[mm]	[inch]	[mm]	[mm]	[mm]	[mm]	[mm]	[mm]	[mm]	[mm]	[mm]		[mm]	[mm]
1 ¼	120	⅜	192	45	173	26	15	99	26	26	69	M8	140	15
1 ½	150	¼	222	45	214	32	15	119	36	26	69	M8	160	19
2	150	¼	266	45	226	39	15	132	36	26	69	M8	190	23



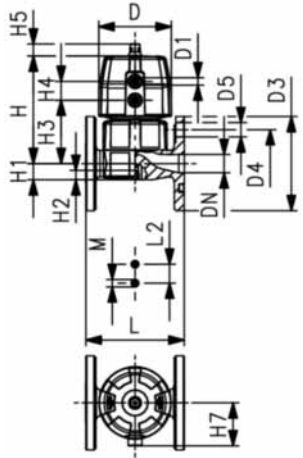
## Diaphragm valve DIASTAR Ten PVC-U DA (Double acting) With fixed flanges PVC-U JIS

### Model:

- Double flow rate compared to predecessor
- One housing nut replaces four screws
- Rotating air connection at 90° intervals
- Flat sealing faces/serrated
- Connecting dimension: JIS B2238/39 10K

### Option:

- Individual configuration of the valve (see diagram)
- Comprehensive range of accessories available



Inch	DN	PN	kv-value	EPDM	PTFE/EPDM
	[mm]	[bar]	(Δp=1 bar)	Code	Code
			[l/min]		
½	15	10	125	161 657 912	161 657 932
¾	20	10	271	161 657 913	161 657 933
1	25	10	481	161 657 914	161 657 934
1 ¼	32	10	759	161 657 915	161 657 935
1 ½	40	10	1263	161 657 916	161 657 936
2	50	10	1728	161 657 917	161 657 937

Inch	D	D1_G	D3	D4	D5	L	L2	H	H1	H2	H3	H4	H5	H7	M
	[mm]	[inch]	[mm]	[mm]	[mm]	[mm]	[mm]	[mm]	[mm]	[mm]	[mm]	[mm]	[mm]	[mm]	
½	68	⅜	95	70	15	110	25	101	14	12	60	24	16	43	M6
¾	96	⅜	100	75	15	120	25	132	18	12	73	25	16	57	M6
1	96	⅜	125	90	19	130	25	143	22	12	84	25	16	57	M6
1 ¼	120	⅜	135	100	19	180	45	173	26	15	99	26	26	69	M8
1 ½	150	¼	140	105	19	180	45	214	32	15	119	36	26	88	M8
2	150	¼	155	120	19	210	45	226	39	15	132	36	26	88	M8

Inch	Lift = Hx
	[mm]
½	7
¾	10
1	13
1 ¼	15
1 ½	19
2	23





## Diaphragm valve DIASTAR Sixteen PVC-U FC (Fail safe to close) Unions with solvent cement sockets JIS

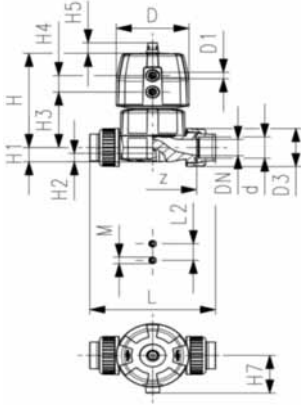
### Model:

- Double flow rate compared to predecessor
- One housing nut replaces four screws
- Rotating air connection at 90° intervals
- For easy installation and removal
- Short overall length

### Option:

- Individual configuration of the valve (see diagram)
- Comprehensive range of accessories available
- PN16 available as a configuration

\* PN: PTFE/EPDM



Inch	DN [mm]	PN [bar]	kv-value ( $\Delta p=1$ bar) [l/min]	EPDM Code	PTFE/EPDM Code
1/2	15	16/16*	125	161 634 812	161 634 832
3/4	20	16/16*	271	161 634 813	161 634 833
1	25	16/16*	481	161 634 814	161 634 834
1 1/4	32	16/16*	759	161 634 815	161 634 835
1 1/2	40	16/16*	1263	161 634 816	161 634 836
2	50	16/10*	1728	161 634 817	161 634 837

Inch	D [mm]	D1_G [inch]	L [mm]	L2 [mm]	H [mm]	H1 [mm]	H2 [mm]	H3 [mm]	H4 [mm]	H5 [mm]	H7 [mm]	M	z [mm]	Lift = Hx [mm]
1/2	96	1/8	152	25	132	18	12	73	25	16	57	M6	120	10
3/4	96	1/8	152	25	132	18	12	73	25	16	57	M6	114	10
1	120	1/8	166	25	167	22	12	93	26	26	69	M6	122	13
1 1/4	150	1/4	192	45	196	26	15	101	36	26	88	M8	140	15
1 1/2	180	1/4	222	45	239	32	15	124	37	26	103	M8	160	19
2	180	1/4	266	45	251	39	15	137	37	26	103	M8	190	23



## Diaphragm valve DIASTAR Sixteen PVC-U FC (Fail safe to close) Unions with threaded sockets Rc

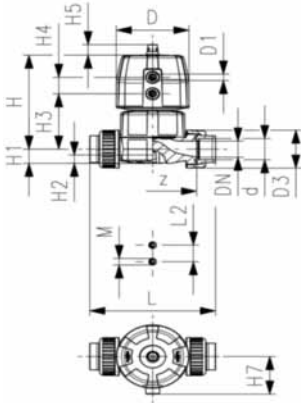
### Model:

- Double flow rate compared to predecessor
- One housing nut replaces four screws
- Rotating air connection at 90° intervals
- For easy installation and removal
- Short overall length

### Option:

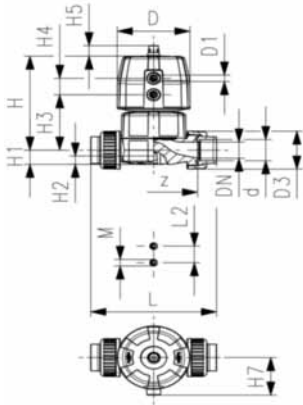
- Individual configuration of the valve (see diagram)
- Comprehensive range of accessories available
- PN16 available as a configuration

\* PN: PTFE/EPDM



Rc [inch]	DN [mm]	PN [bar]	kv-value ( $\Delta p=1$ bar) [l/min]	EPDM Code	PTFE/EPDM Code
1/2	15	16/16*	125	161 634 912	161 634 932
3/4	20	16/16*	271	161 634 913	161 634 933
1	25	16/16*	481	161 634 914	161 634 934
1 1/4	32	16/16*	759	161 634 915	161 634 935
1 1/2	40	16/16*	1263	161 634 916	161 634 936
2	50	16/10*	1728	161 634 917	161 634 937

table continued next page



Rc	D	D1_G	L	L2	H	H1	H2	H3	H4	H5	H7	M	z	Lift = Hx
[inch]	[mm]	[inch]	[mm]	[mm]	[mm]	[mm]	[mm]	[mm]	[mm]	[mm]	[mm]		[mm]	[mm]
½	96	⅜	152	25	132	18	12	73	25	16	57	M6	120	10
¾	96	⅜	152	25	132	18	12	73	25	16	57	M6	114	10
1	120	⅜	166	25	167	22	12	93	26	26	69	M6	122	13
1 ¼	150	¼	192	45	196	26	15	101	36	26	88	M8	140	15
1 ½	180	¼	222	45	239	32	15	124	37	26	103	M8	160	19
2	180	¼	266	45	251	39	15	137	37	26	103	M8	190	23

## Diaphragm valve DIASTAR Sixteen PVC-U FC (Fail safe to close) With fixed flanges PVC-U JIS



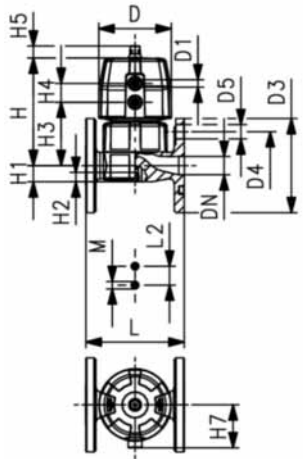
### Model:

- Double flow rate compared to predecessor
- One housing nut replaces four screws
- Rotating air connection at 90° intervals
- Flat sealing faces/serrated
- Connecting dimension: JIS B2238/39 10K

### Option:

- Individual configuration of the valve (see diagram)
- Comprehensive range of accessories available

\* PN: PTFE/EPDM



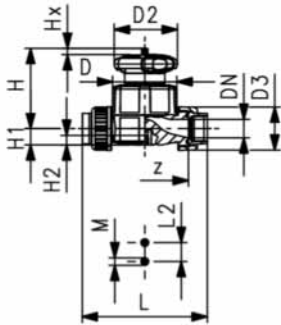
Inch	DN	PN	kv-value (Δp=1 bar)	EPDM Code	PTFE/EPDM Code
	[mm]	[bar]	[l/min]		
½	15	10/10*	125	161 637 912	161 637 932
¾	20	10/10*	271	161 637 913	161 637 933
1	25	10/10*	481	161 637 914	161 637 934
1 ¼	32	10/10*	759	161 637 915	161 637 935
1 ½	40	10/10*	1263	161 637 916	161 637 936
2	50	10/10*	1728	161 637 917	161 637 937

Inch	D	D1_G	D3	D4	D5	L	L2	H	H1	H2	H3	H4	H5	H7	M
	[mm]	[inch]	[mm]	[mm]	[mm]	[mm]	[mm]	[mm]	[mm]	[mm]	[mm]	[mm]	[mm]	[mm]	
½	96	⅜	95	70	15	110	25	127	14	12	68	25	16	57	M6
¾	96	⅜	100	75	15	120	25	132	18	12	73	25	16	57	M6
1	120	⅜	125	90	19	130	25	167	22	12	93	26	26	69	M6
1 ¼	150	¼	135	100	19	180	45	196	26	15	101	36	26	88	M8
1 ½	180	¼	140	105	19	180	45	239	32	15	124	37	26	103	M8
2	180	¼	155	120	19	210	45	251	39	15	137	37	26	103	M8

Inch	Lift = Hx
	[mm]
½	7
¾	10
1	13
1 ¼	15
1 ½	19
2	23

# Diaphragm valves new generation

## Diaphragm valve type 514 PVC-U OF With solvent cement sockets JIS



### Model:

- Oil free
- Double flow rate compared to predecessor
- One housing nut replaces four screws
- Handwheel with built-in locking mechanism
- For easy installation and removal
- Short overall length

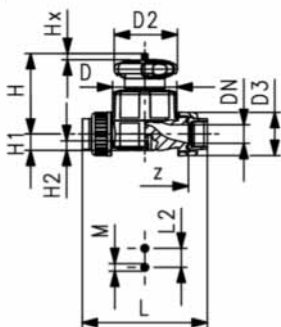
### Option:

- Individual configuration of the valve (see diagram)
- Self adjusting multifunctional module with integrated limit switches
- PN16 available as a configuration

Inch	DN [mm]	PN	kv-value ( $\Delta p=1$ bar) [l/min]	EPDM Code	PTFE/EPDM Code
1/2	15	10	125	<b>161 514 822</b>	<b>161 514 872</b>
3/4	20	10	271	<b>161 514 823</b>	<b>161 514 873</b>
1	25	10	481	<b>161 514 824</b>	<b>161 514 874</b>
1 1/4	32	10	759	<b>161 514 825</b>	<b>161 514 875</b>
1 1/2	40	10	1263	<b>161 514 826</b>	<b>161 514 876</b>
2	50	10	1728	<b>161 514 827</b>	<b>161 514 877</b>

Inch	D [mm]	D2 [mm]	D3 [mm]	L [mm]	L2 [mm]	H [mm]	H1 [mm]	H2 [mm]	M	z [mm]	Lift = Hx [mm]
1/2	80	65	51	152	25	81	18	12	M6	120	10
3/4	80	65	51	152	25	81	18	12	M6	114	10
1	88	87	58	166	25	107	22	12	M6	122	13
1 1/4	101	87	72	192	45	115	26	15	M8	140	15
1 1/2	117	135	83	222	45	148	32	15	M8	160	19
2	144	135	100	266	45	166	39	15	M8	190	25

## Diaphragm valve type 514 PVC-U OF With threaded sockets Rc



### Model:

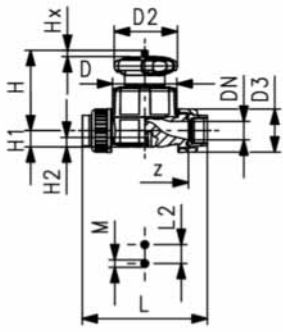
- Oil free
- Double flow rate compared to predecessor
- One housing nut replaces four screws
- Handwheel with built-in locking mechanism
- For easy installation and removal
- Short overall length

### Option:

- Individual configuration of the valve (see diagram)
- Self adjusting multifunctional module with integrated limit switches
- PN16 available as a configuration

Rc [inch]	DN [mm]	PN	kv-value ( $\Delta p=1$ bar) [l/min]	EPDM Code	PTFE/EPDM Code
1/2	15	10	125	<b>161 514 922</b>	<b>161 514 972</b>
3/4	20	10	271	<b>161 514 923</b>	<b>161 514 973</b>
1	25	10	481	<b>161 514 924</b>	<b>161 514 974</b>
1 1/4	32	10	759	<b>161 514 925</b>	<b>161 514 975</b>
1 1/2	40	10	1263	<b>161 514 926</b>	<b>161 514 976</b>
2	50	10	1728	<b>161 514 927</b>	<b>161 514 977</b>

table continued next page



Rc [inch]	D [mm]	D2 [mm]	D3 [mm]	L [mm]	L2 [mm]	H [mm]	H1 [mm]	H2 [mm]	M	z [mm]	Lift = Hx [mm]
½	80	65	51	152	25	81	18	12	M6	120	110
¾	80	65	51	152	25	81	18	12	M6	114	10
1	88	87	58	166	25	107	22	12	M6	122	13
1 ¼	101	87	72	192	45	115	26	15	M8	140	15
1 ½	117	135	83	222	45	148	32	15	M8	160	19
2	144	135	100	266	45	166	39	15	M8	190	25



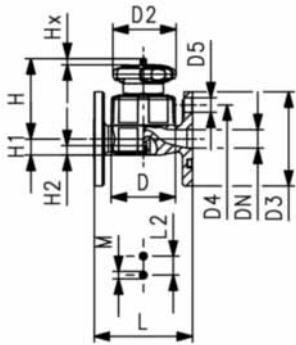
## Diaphragm valve type 517 PVC-U OF With fixed flanges PVC-U JIS

### Model:

- Oil free
- Double flow rate compared to predecessor
- One housing nut replaces four screws
- Handwheel with built-in locking mechanism
- Overall length EN 558
- Connecting dimension: JIS B2238/39 10K
- Flat sealing faces/serrated

### Option:

- Individual configuration of the valve (see diagram)
- Self adjusting multifunctional module with integrated limit switches



Inch	DN [mm]	PN	kv-value ( $\Delta p=1$ bar) [l/min]	EPDM Code	PTFE/EPDM Code
½	15	10	125	<b>161 517 922</b>	<b>161 517 972</b>
¾	20	10	271	<b>161 517 923</b>	<b>161 517 973</b>
1	25	10	481	<b>161 517 924</b>	<b>161 517 974</b>
1 ¼	32	10	759	<b>161 517 925</b>	<b>161 517 975</b>
1 ½	40	10	1263	<b>161 517 926</b>	<b>161 517 976</b>
2	50	10	1728	<b>161 517 927</b>	<b>161 517 977</b>

Inch	D [mm]	D2 [mm]	D3 [mm]	D4 [mm]	D5 [mm]	L [mm]	L2 [mm]	H [mm]	H1 [mm]	H2 [mm]	M	Lift = Hx [mm]
½	65	65	95	70	15	110	25	73	14	12	M6	7
¾	80	65	100	75	15	120	25	81	18	12	M6	10
1	88	87	125	90	19	130	25	107	22	12	M6	13
1 ¼	101	87	135	100	19	180	45	115	26	15	M8	15
1 ½	117	135	140	105	19	180	45	148	32	15	M8	19
2	144	135	155	120	19	210	45	166	39	15	M8	25

# Diaphragm valves pneumatic

## New generation

### Diaphragm valve DIASTAR Six PVC-U SF FC (Fail safe to close) With fixed flanges PVC-U JIS

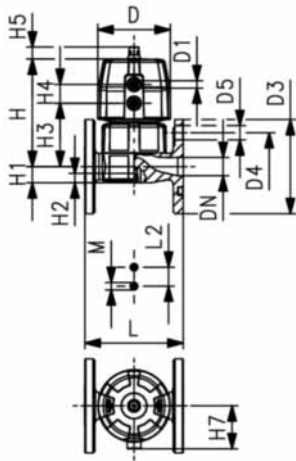


#### Model:

- Silicone free / paint-compatible
- Double flow rate compared to predecessor
- One housing nut replaces four screws
- Rotating air connection at 90° intervals
- Flat sealing faces/serrated
- Connecting dimension: JIS B2238/39 10K

#### Option:

- Individual configuration of the valve (see diagram)



Inch	DN [mm]	PN	kv-value ( $\Delta p=1$ bar) [l/min]	EPDM Code
1/2	15	6	125	161 617 922
3/4	20	6	271	161 617 923
1	25	6	481	161 617 924
1 1/4	32	6	759	161 617 925
1 1/2	40	6	1263	161 617 926
2	50	6	1728	161 617 927

Inch	D [mm]	D1_G [inch]	D3 [mm]	D4 [mm]	D5 [mm]	L [mm]	L2 [mm]	H [mm]	H1 [mm]	H2 [mm]	H3 [mm]	H7 [mm]	M	Lift = Hx [mm]
1/2	68	1/8	95	70	15	110	25	101	14	12	60	43	M6	7
3/4	96	1/8	100	75	15	120	25	132	18	12	73	57	M6	10
1	96	1/8	125	90	15	130	25	143	22	12	84	57	M6	13
1 1/4	120	1/8	135	100	19	180	45	173	26	15	99	69	M6	14
1 1/2	120	1/8	140	105	19	180	45	193	32	15	119	69	M6	16
2	120	1/8	155	120	19	210	45	205	39	15	132	69	M6	16



# Diaphragm valve DIASTAR Ten PVC-U SF FC (Fail safe to close) With fixed flanges PVC-U JIS

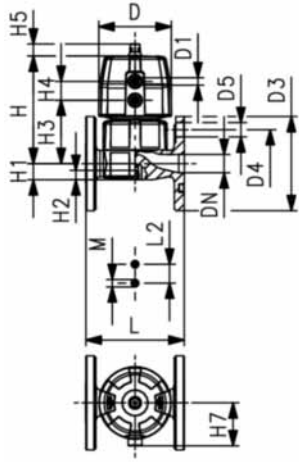
## Model:

- Silicone free / paint-compatible
- Double flow rate compared to predecessor
- One housing nut replaces four screws
- Rotating air connection at 90° intervals
- Flat sealing faces/serrated
- Connecting dimension: JIS B2238/39 10K

## Option:

- Individual configuration of the valve (see diagram)
- Comprehensive range of accessories available

\* PN: PTFE/EPDM



Inch	DN [mm]	PN [bar]	kv-value ( $\Delta p=1$ bar) [l/min]	EPDM Code	PTFE/EPDM Code
½	15	10/10*	125	<b>161 627 922</b>	<b>161 627 972</b>
¾	20	10/10*	271	<b>161 627 923</b>	<b>161 627 973</b>
1	25	10/10*	481	<b>161 627 924</b>	<b>161 627 974</b>
1 ¼	32	10/10*	759	<b>161 627 925</b>	<b>161 627 975</b>
1 ½	40	10/10*	1263	<b>161 627 926</b>	<b>161 627 976</b>
2	50	10/6*	1728	<b>161 627 927</b>	<b>161 627 977</b>

Inch	D [mm]	D1_G [inch]	D3 [mm]	D4 [mm]	D5 [mm]	L [mm]	L2 [mm]	H [mm]	H1 [mm]	H2 [mm]	H3 [mm]	H4 [mm]	H5 [mm]	H7 [mm]	M
½	68	⅜	95	70	15	110	25	101	14	12	60	24	16	43	M6
¾	96	⅜	100	75	15	120	25	132	18	12	73	25	16	57	M6
1	96	⅜	125	90	19	130	25	143	22	12	84	25	16	57	M6
1 ¼	120	⅜	135	100	19	180	45	173	26	15	99	26	26	69	M8
1 ½	150	¼	140	105	19	180	45	193	32	15	119	36	26	88	M8
2	150	¼	155	120	19	210	45	205	39	15	132	36	26	88	M8

Inch	Lift = Hx [mm]
½	7
¾	10
1	13
1 ¼	15
1 ½	19
2	23



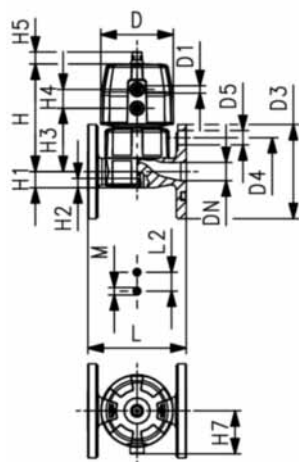
## Diaphragm valve DIASTAR Ten PVC-U SF FO (Fail safe to open) With fixed flanges PVC-U JIS

### Model:

- Silicone free / paint-compatible
- Double flow rate compared to predecessor
- One housing nut replaces four screws
- Rotating air connection at 90° intervals
- Flat sealing faces/serrated
- Connecting dimension: JIS B2238/39 10K

### Option:

- Individual configuration of the valve (see diagram)
- Comprehensive range of accessories available



Inch	DN [mm]	PN [bar]	kv-value ( $\Delta p=1$ bar) [l/min]	EPDM Code	PTFE/EPDM Code
½	15	10	125	<b>161 647 922</b>	<b>161 647 972</b>
¾	20	10	271	<b>161 647 923</b>	<b>161 647 973</b>
1	25	10	481	<b>161 647 924</b>	<b>161 647 974</b>
1 ¼	32	10	759	<b>161 647 925</b>	<b>161 647 975</b>
1 ½	40	10	1263	<b>161 647 926</b>	<b>161 647 976</b>
2	50	10	1728	<b>161 647 927</b>	<b>161 647 977</b>

Inch	D [mm]	D1_G [inch]	D3 [mm]	D4 [mm]	D5 [mm]	L [mm]	L2 [mm]	H [mm]	H1 [mm]	H2 [mm]	H3 [mm]	H4 [mm]	H5 [mm]	H7 [mm]	M
½	68	⅜	95	70	15	110	25	101	14	12	60	24	16	43	M6
¾	96	⅜	100	75	15	120	25	132	18	12	73	25	16	57	M6
1	96	⅜	125	90	19	130	25	143	22	12	84	25	16	57	M6
1 ¼	120	⅜	135	100	19	180	45	173	26	15	99	26	26	69	M8
1 ½	150	¼	140	105	19	180	45	214	32	15	119	36	26	88	M8
2	150	¼	155	120	19	210	45	226	39	15	132	36	26	88	M8

Inch	Lift = Hx [mm]
½	7
¾	10
1	13
1 ¼	15
1 ½	19
2	23





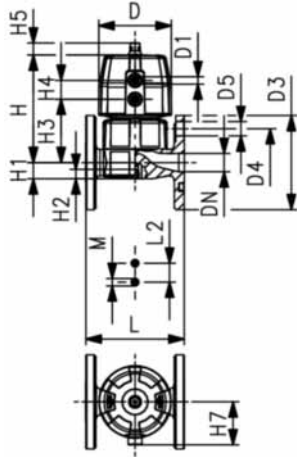
## Diaphragm valve DIASTAR Ten PVC-U SF DA (Double acting) With fixed flanges PVC-U JIS

### Model:

- Silicone free / paint-compatible
- Double flow rate compared to predecessor
- One housing nut replaces four screws
- Rotating air connection at 90° intervals
- Flat sealing faces/serrated
- Connecting dimension: JIS B2238/39 10K

### Option:

- Individual configuration of the valve (see diagram)
- Comprehensive range of accessories available



Inch	DN [mm]	PN [bar]	kv-value ( $\Delta p=1$ bar) [l/min]	EPDM Code	PTFE/EPDM Code
½	15	10	125	161 657 922	161 657 972
¾	20	10	271	161 657 923	161 657 973
1	25	10	481	161 657 924	161 657 974
1 ¼	32	10	759	161 657 925	161 657 975
1 ½	40	10	1263	161 657 926	161 657 976
2	50	10	1728	161 657 927	161 657 977

Inch	D [mm]	D1_G [inch]	D3 [mm]	D4 [mm]	D5 [mm]	L [mm]	L2 [mm]	H [mm]	H1 [mm]	H2 [mm]	H3 [mm]	H4 [mm]	H5 [mm]	H7 [mm]	M
½	68	⅝	95	70	15	110	25	101	14	12	60	24	16	43	M6
¾	96	⅝	100	75	15	120	25	132	18	12	73	25	16	57	M6
1	96	⅝	125	90	19	130	25	143	22	12	84	25	16	57	M6
1 ¼	120	⅝	135	100	19	180	45	173	26	15	99	26	26	69	M8
1 ½	150	¾	140	105	19	180	45	214	32	15	119	36	26	88	M8
2	150	¾	155	120	19	210	45	226	39	15	132	36	26	88	M8

Inch	Lift = Hx [mm]
½	7
¾	10
1	13
1 ¼	15
1 ½	19
2	23



## Diaphragm valve DIASTAR Sixteen PVC-U SF FC (Fail safe to close) With fixed flanges PVC-U JIS

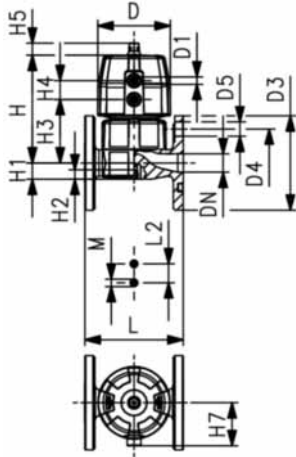
### Model:

- Silicone free / paint-compatible
- Double flow rate compared to predecessor
- One housing nut replaces four screws
- Rotating air connection at 90° intervals
- Flat sealing faces/serrated
- Connecting dimension: JIS B2238/39 10K

### Option:

- Individual configuration of the valve (see diagram)
- Comprehensive range of accessories available

\* PN: PTFE/EPDM



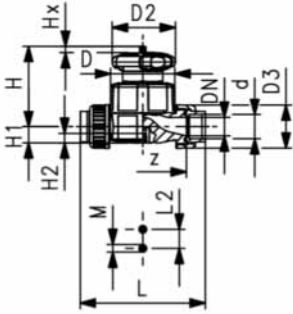
Inch	DN [mm]	PN [bar]	kv-value ( $\Delta p=1$ bar) [l/min]	EPDM Code	PTFE/EPDM Code
½	15	10/10*	125	<b>161 637 922</b>	<b>161 637 972</b>
¾	20	10/10*	271	<b>161 637 923</b>	<b>161 637 973</b>
1	25	10/10*	481	<b>161 637 924</b>	<b>161 637 974</b>
1 ¼	32	10/10*	759	<b>161 637 925</b>	<b>161 637 975</b>
1 ½	40	10/10*	1263	<b>161 637 926</b>	<b>161 637 976</b>
2	50	10/10*	1728	<b>161 637 927</b>	<b>161 637 977</b>

Inch	D [mm]	D1_G [inch]	D3 [mm]	D4 [mm]	D5 [mm]	L [mm]	L2 [mm]	H [mm]	H1 [mm]	H2 [mm]	H3 [mm]	H4 [mm]	H5 [mm]	H7 [mm]	M
½	96	⅝	95	70	15	110	25	127	14	12	68	25	16	57	M6
¾	96	⅝	100	75	15	120	25	132	18	12	73	25	16	57	M6
1	120	⅝	125	90	19	130	25	167	22	12	93	26	26	69	M6
1 ¼	150	¾	135	100	19	180	45	196	26	15	101	36	26	88	M8
1 ½	180	¾	140	105	19	180	45	239	32	15	124	37	26	103	M8
2	180	¾	155	120	19	210	45	251	39	15	137	37	26	103	M8

Inch	Lift = Hx [mm]
½	7
¾	10
1	13
1 ¼	15
1 ½	19
2	23

# Diaphragm valves new generation

## Diaphragm valve type 514 PVC-C With solvent cement sockets metric



### Model:

- Double flow rate compared to predecessor
- One housing nut replaces four screws
- Handwheel with built-in locking mechanism
- For easy installation and removal
- Short overall length

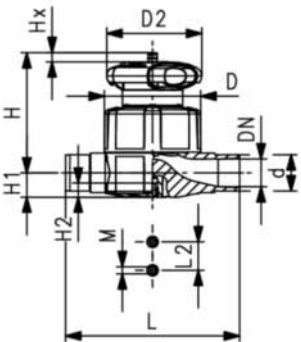
### Option:

- Individual configuration of the valve (see diagram)
- Self adjusting multifunctional module with integrated limit switches

d [mm]	DN [mm]	PN	kv-value ( $\Delta p=1$ bar) [l/min]	EPDM Code	PTFE/EPDM Code
20	15	10	125	<b>163 514 012</b>	<b>163 514 032</b>
25	20	10	271	<b>163 514 013</b>	<b>163 514 033</b>
32	25	10	481	<b>163 514 014</b>	<b>163 514 034</b>
40	32	10	759	<b>163 514 015</b>	<b>163 514 035</b>
50	40	10	1263	<b>163 514 016</b>	<b>163 514 036</b>
63	50	10	1728	<b>163 514 017</b>	<b>163 514 037</b>

d [mm]	D [mm]	D2 [mm]	D3 [mm]	L [mm]	L2 [mm]	H [mm]	H1 [mm]	H2 [mm]	M	z [mm]	Lift = Hx [mm]
20	65	65	43	128	25	73	14	12	M6	96	7
25	80	65	51	152	25	81	18	12	M6	114	10
32	88	87	58	166	25	107	22	12	M6	122	13
40	101	87	72	192	45	115	26	15	M8	140	15
50	117	135	83	222	45	148	32	15	M8	160	19
63	144	135	100	266	45	166	39	15	M8	190	25

## Diaphragm valve type 515 PVC-C With solvent cement spigots metric



### Model:

- Double flow rate compared to predecessor
- One housing nut replaces four screws
- Handwheel with built-in locking mechanism
- Overall length EN 558

### Option:

- Individual configuration of the valve (see diagram)
- Self adjusting multifunctional module with integrated limit switches

d [mm]	DN [mm]	PN	kv-value ( $\Delta p=1$ bar) [l/min]	EPDM Code	PTFE/EPDM Code
20	15	10	125	<b>163 515 012</b>	<b>163 515 032</b>
25	20	10	271	<b>163 515 013</b>	<b>163 515 033</b>
32	25	10	481	<b>163 515 014</b>	<b>163 515 034</b>
40	32	10	759	<b>163 515 015</b>	<b>163 515 035</b>
50	40	10	1263	<b>163 515 016</b>	<b>163 515 036</b>
63	50	10	1728	<b>163 515 017</b>	<b>163 515 037</b>

d [mm]	D [mm]	D2 [mm]	L [mm]	L2 [mm]	H [mm]	H1 [mm]	H2 [mm]	M	Lift = Hx [mm]
20	65	65	124	25	73	14	12	M6	7
25	80	65	144	25	81	18	12	M6	10
32	88	87	154	25	107	22	12	M6	13
40	101	87	174	45	115	26	15	M8	15
50	117	135	194	45	148	32	15	M8	19
63	144	135	224	45	166	39	15	M8	25



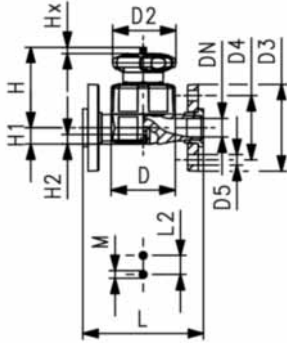
## Diaphragm valve type 517 PVC-C With backing flanges PP-V metric/BS

### Model:

- Double flow rate compared to predecessor
- One housing nut replaces four screws
- Handwheel with built-in locking mechanism
- Overall length EN 558
- Connecting dimension: ISO 7005 PN 10, EN 1092 PN 10, DIN 2501 PN 10, BS 4504 PN 10
- Flat sealing faces

### Option:

- Individual configuration of the valve (see diagram)
- Self adjusting multifunctional module with integrated limit switches



d [mm]	DN [mm]	PN	kv-value ( $\Delta p=1$ bar) [l/min]	EPDM Code	PTFE/EPDM Code
20	15	10	125	<b>163 517 112</b>	<b>163 517 132</b>
25	20	10	271	<b>163 517 113</b>	<b>163 517 133</b>
32	25	10	481	<b>163 517 114</b>	<b>163 517 134</b>
40	32	10	759	<b>163 517 115</b>	<b>163 517 135</b>
50	40	10	1263	<b>163 517 116</b>	<b>163 517 136</b>
63	50	10	1728	<b>163 517 117</b>	<b>163 517 137</b>

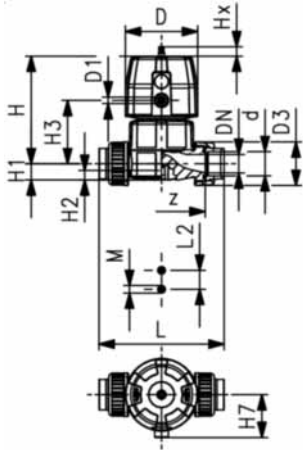
d [mm]	D [mm]	D2 [mm]	D3 [mm]	D4 [mm]	D5 [mm]	L [mm]	L2 [mm]	H [mm]	H1 [mm]	H2 [mm]	M	Lift = Hx [mm]
20	65	65	95	65	14	130	25	73	14	12	M6	7
25	80	65	105	75	14	150	25	81	18	12	M6	10
32	88	87	115	85	14	160	25	107	22	12	M6	13
40	101	87	140	100	18	180	45	115	26	15	M8	15
50	117	135	150	110	18	200	45	148	32	15	M8	19
63	144	135	165	125	18	230	45	166	39	15	M8	25

# Diaphragm valves pneumatic

## New generation

### Diaphragm valve DIASTAR Six PVC-C FC (Fail safe to close)

#### Unions with solvent cement sockets metric



#### Model:

- Double flow rate compared to predecessor
- One housing nut replaces four screws
- Rotating air connection at 90° intervals
- For easy installation and removal
- Short overall length

#### Option:

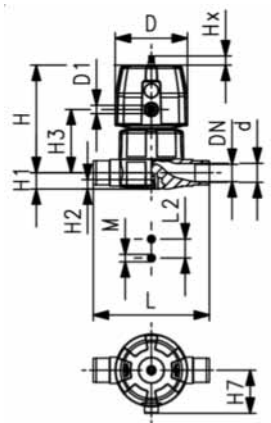
- Individual configuration of the valve (see diagram)

d [mm]	DN [mm]	PN	kv-value ( $\Delta p=1$ bar) [l/min]	EPDM Code
20	15	6	125	<b>163 614 012</b>
25	20	6	271	<b>163 614 013</b>
32	25	6	481	<b>163 614 014</b>
40	32	6	759	<b>163 614 015</b>
50	40	6	1263	<b>163 614 016</b>
63	50	6	1728	<b>163 614 017</b>

d [mm]	D [mm]	D1_G [inch]	L [mm]	L2 [mm]	H [mm]	H1 [mm]	H2 [mm]	H3 [mm]	H7 [mm]	M	z [mm]	Lift = Hx [mm]
20	68	1/8	128	25	101	14	12	60	43	M6	96	7
25	96	1/8	152	25	132	18	12	73	57	M6	114	10
32	96	1/8	166	25	143	22	12	84	57	M6	122	13
40	120	1/8	192	45	173	26	15	99	69	M8	140	14
50	120	1/8	222	45	193	32	15	119	69	M8	160	16
63	120	1/8	266	45	205	39	15	132	69	M8	190	16

### Diaphragm valve DIASTAR Six PVC-C FC (Fail safe to close)

#### With solvent cement spigots metric



#### Model:

- Double flow rate compared to predecessor
- One housing nut replaces four screws
- Rotating air connection at 90° intervals
- Overall length EN 558

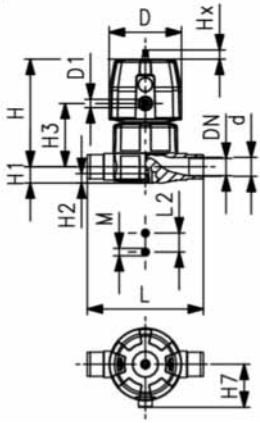
#### Option:

- Individual configuration of the valve (see diagram)

d [mm]	DN [mm]	PN	kv-value ( $\Delta p=1$ bar) [l/min]	EPDM Code
20	15	6	125	<b>163 615 012</b>
25	20	6	271	<b>163 615 013</b>
32	25	6	481	<b>163 615 014</b>
40	32	6	759	<b>163 615 015</b>
50	40	6	1263	<b>163 615 016</b>
63	50	6	1728	<b>163 615 017</b>

d [mm]	D [mm]	D1_G [inch]	L [mm]	L2 [mm]	H [mm]	H1 [mm]	H2 [mm]	H3 [mm]	H7 [mm]	M	Lift = Hx [mm]
20	68	1/8	124	25	101	14	12	60	43	M6	7
25	96	1/8	144	25	132	18	12	73	57	M6	10
32	96	1/8	154	25	143	22	12	84	57	M6	13

table continued next page



d [mm]	D [mm]	D1_G [inch]	L [mm]	L2 [mm]	H [mm]	H1 [mm]	H2 [mm]	H3 [mm]	H7 [mm]	M	Lift = Hx [mm]
40	120	1/8	174	45	173	26	15	99	69	M8	14
50	120	1/8	194	45	193	32	15	119	69	M8	16
63	120	1/8	224	45	205	39	15	132	69	M8	16



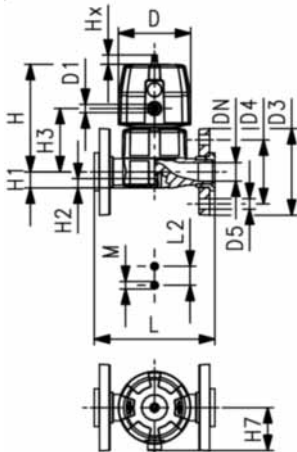
## Diaphragm valve DIASTAR Six PVC-C FC (Fail safe to close) With backing flanges PP-V metric/BS

### Model:

- Double flow rate compared to predecessor
- One housing nut replaces four screws
- Rotating air connection at 90° intervals
- Flat sealing faces
- Overall length EN 558
- Connecting dimension: ISO 7005 PN 10, EN 1092 PN 10, DIN 2501 PN 10, BS 4504 PN 10

### Option:

- Individual configuration of the valve (see diagram)



d [mm]	DN [mm]	PN	kv-value ( $\Delta p=1$ bar) [l/min]	EPDM Code
20	15	6	125	<b>163 617 112</b>
25	20	6	271	<b>163 617 113</b>
32	25	6	481	<b>163 617 114</b>
40	32	6	759	<b>163 617 115</b>
50	40	6	1263	<b>163 617 116</b>
63	50	6	1728	<b>163 617 117</b>

d [mm]	D [mm]	D1_G [inch]	D3 [mm]	D4 [mm]	D5 [mm]	L [mm]	L2 [mm]	H [mm]	H1 [mm]	H2 [mm]	H3 [mm]	H7 [mm]	M	Lift = Hx [mm]
20	68	1/8	95	65	14	130	25	101	14	12	60	43	M6	7
25	96	1/8	105	75	14	150	25	132	18	12	73	57	M6	10
32	96	1/8	115	85	14	160	25	143	22	12	84	57	M6	13
40	120	1/8	140	100	18	180	45	173	26	15	99	69	M8	14
50	120	1/8	150	110	18	200	45	193	32	15	119	69	M8	16
63	120	1/8	165	125	18	230	45	205	39	15	132	69	M8	16



## Diaphragm valve DIASTAR Ten PVC-C FC (Fail safe to close) Unions with solvent cement sockets metric

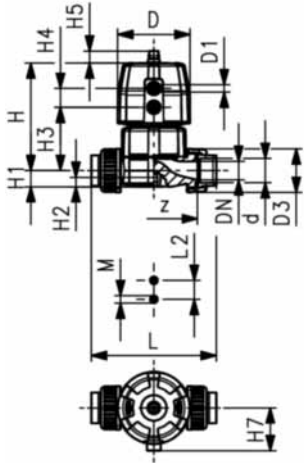
### Model:

- Double flow rate compared to predecessor
- One housing nut replaces four screws
- Rotating air connection at 90° intervals
- For easy installation and removal
- Short overall length

### Option:

- Individual configuration of the valve (see diagram)
- Comprehensive range of accessories available

\* PN: PTFE/EPDM



d [mm]	DN [mm]	PN [bar]	kv-value ( $\Delta p=1$ bar) [l/min]	EPDM Code	PTFE/EPDM Code
20	15	10/10*	125	<b>163 624 012</b>	<b>163 624 032</b>
25	20	10/10*	271	<b>163 624 013</b>	<b>163 624 033</b>
32	25	10/10*	481	<b>163 624 014</b>	<b>163 624 034</b>
40	32	10/10*	759	<b>163 624 015</b>	<b>163 624 035</b>
50	40	10/10*	1263	<b>163 624 016</b>	<b>163 624 036</b>
63	50	10/6*	1728	<b>163 624 017</b>	<b>163 624 037</b>

d [mm]	D [mm]	D1_G [inch]	L [mm]	L2 [mm]	H [mm]	H1 [mm]	H2 [mm]	H3 [mm]	H4 [mm]	H5 [mm]	H7 [mm]	M	z [mm]	Lift = Hx [mm]
20	68	1/8	128	25	101	14	12	60	24	16	43	M6	96	7
25	96	1/8	152	25	132	18	12	73	25	16	57	M6	114	10
32	96	1/8	166	25	143	22	12	84	25	16	57	M6	122	13
40	120	1/8	192	45	173	26	15	99	26	26	69	M8	140	15
50	150	1/4	222	45	214	32	15	119	36	26	88	M8	160	19
63	150	1/4	266	45	226	39	15	132	36	26	88	M8	190	23



## Diaphragm valve DIASTAR Ten PVC-C FC (Fail safe to close) With solvent cement spigots metric

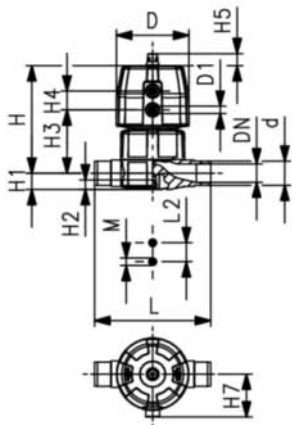
### Model:

- Double flow rate compared to predecessor
- One housing nut replaces four screws
- Rotating air connection at 90° intervals
- Overall length EN 558

### Option:

- Individual configuration of the valve (see diagram)
- Comprehensive range of accessories available

\* PN: PTFE/EPDM

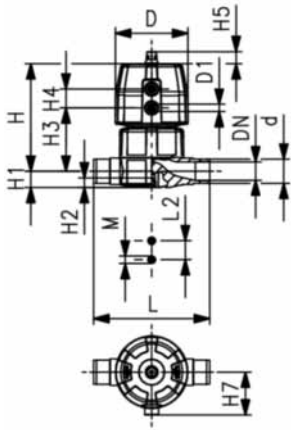


d [mm]	DN [mm]	PN [bar]	kv-value ( $\Delta p=1$ bar) [l/min]	EPDM Code	PTFE/EPDM Code
20	15	10/10*	125	<b>163 625 012</b>	<b>163 625 032</b>
25	20	10/10*	271	<b>163 625 013</b>	<b>163 625 033</b>
32	25	10/10*	481	<b>163 625 014</b>	<b>163 625 034</b>
40	32	10/10*	759	<b>163 625 015</b>	<b>163 625 035</b>
50	40	10/10*	1263	<b>163 625 016</b>	<b>163 625 036</b>
63	50	10/6*	1728	<b>163 625 017</b>	<b>163 625 037</b>

d [mm]	D [mm]	D1_G [inch]	L [mm]	L2 [mm]	H [mm]	H1 [mm]	H2 [mm]	H3 [mm]	H4 [mm]	H5 [mm]	H7 [mm]	M	Lift = Hx [mm]
20	68	1/8	124	25	101	14	12	60	24	16	43	M6	7
25	96	1/8	144	25	132	18	12	73	25	16	57	M6	10
32	96	1/8	154	25	143	22	12	84	25	16	57	M6	13

table continued next page





d [mm]	D [mm]	D1_G [inch]	L [mm]	L2 [mm]	H [mm]	H1 [mm]	H2 [mm]	H3 [mm]	H4 [mm]	H5 [mm]	H7 [mm]	M	Lift = Hx [mm]
40	120	1/8	174	45	173	26	15	99	26	26	69	M8	15
50	150	1/4	194	45	214	32	15	119	36	26	88	M8	19
63	150	1/4	224	45	226	39	15	132	36	26	88	M8	23



## Diaphragm valve DIASTAR Ten PVC-C FC (Fail safe to close) With backing flanges PP-V metric/BS

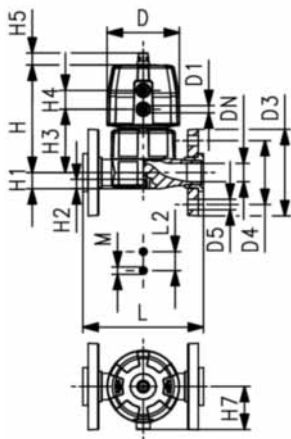
### Model:

- Double flow rate compared to predecessor
- One housing nut replaces four screws
- Rotating air connection at 90° intervals
- Flat sealing faces
- Overall length EN 558
- Connecting dimension: ISO 7005 PN 10, EN 1092 PN 10, DIN 2501 PN 10, BS 4504 PN 10

### Option:

- Individual configuration of the valve (see diagram)
- Comprehensive range of accessories available

\* PN: PTFE/EPDM



d [mm]	DN [mm]	PN [bar]	kv-value (Δp=1 bar) [l/min]	EPDM Code	PTFE/EPDM Code
20	15	10/10*	125	163 627 112	163 627 132
25	20	10/10*	271	163 627 113	163 627 133
32	25	10/10*	481	163 627 114	163 627 134
40	32	10/10*	759	163 627 115	163 627 135
50	40	10/10*	1263	163 627 116	163 627 136
63	50	10/6*	1728	163 627 117	163 627 137

d [mm]	D [mm]	D1_G [inch]	D3 [mm]	D4 [mm]	D5 [mm]	L [mm]	L2 [mm]	H [mm]	H1 [mm]	H2 [mm]	H3 [mm]	H4 [mm]	H5 [mm]	H7 [mm]	M
20	68	1/8	95	65	14	130	25	101	14	12	60	24	16	43	M6
25	96	1/8	105	75	14	150	25	132	18	12	73	25	16	57	M6
32	96	1/8	115	85	14	160	25	143	22	12	84	25	16	57	M6
40	120	1/8	140	100	18	180	45	173	26	15	99	26	26	69	M8
50	150	1/4	150	110	18	200	45	193	32	15	119	36	26	88	M8
63	150	1/4	165	125	18	230	45	205	39	15	132	36	26	88	M8

d [mm]	Lift = Hx [mm]
20	7
25	10
32	13
40	15
50	19
63	23



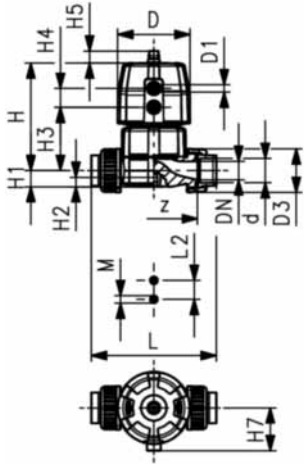
## Diaphragm valve DIASTAR Ten PVC-C FO (Fail safe to open) Unions with solvent cement sockets metric

### Model:

- Double flow rate compared to predecessor
- One housing nut replaces four screws
- Rotating air connection at 90° intervals
- For easy installation and removal
- Short overall length

### Option:

- Individual configuration of the valve (see diagram)
- Comprehensive range of accessories available



d [mm]	DN [mm]	PN [bar]	kv-value ( $\Delta p=1$ bar) [l/min]	EPDM Code	PTFE/EPDM Code
20	15	10	125	<b>163 644 012</b>	<b>163 644 032</b>
25	20	10	271	<b>163 644 013</b>	<b>163 644 033</b>
32	25	10	481	<b>163 644 014</b>	<b>163 644 034</b>
40	32	10	759	<b>163 644 015</b>	<b>163 644 035</b>
50	40	10	1263	<b>163 644 016</b>	<b>163 644 036</b>
63	50	10	1728	<b>163 644 017</b>	<b>163 644 037</b>

d [mm]	D [mm]	D1_G [inch]	L [mm]	L2 [mm]	H [mm]	H1 [mm]	H2 [mm]	H3 [mm]	H4 [mm]	H5 [mm]	H7 [mm]	M	z [mm]	Lift = Hx [mm]
20	68	1/8	128	25	101	14	12	60	24	16	43	M6	96	7
25	96	1/8	152	25	132	18	12	73	25	16	57	M6	114	10
32	96	1/8	166	25	143	22	12	84	25	16	57	M6	122	13
40	120	1/8	192	45	173	26	15	99	26	26	69	M8	140	15
50	150	1/4	222	45	214	32	15	119	36	26	88	M8	160	19
63	150	1/4	266	45	226	39	15	132	36	26	88	M8	190	23



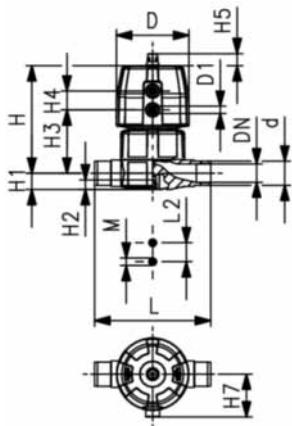
## Diaphragm valve DIASTAR Ten PVC-C FO (Fail safe to open) With solvent cement spigots metric

### Model:

- Double flow rate compared to predecessor
- One housing nut replaces four screws
- Rotating air connection at 90° intervals
- Overall length EN 558

### Option:

- Individual configuration of the valve (see diagram)
- Comprehensive range of accessories available



d [mm]	DN [mm]	PN [bar]	kv-value ( $\Delta p=1$ bar) [l/min]	EPDM Code	PTFE/EPDM Code
20	15	10	125	<b>163 645 012</b>	<b>163 645 032</b>
25	20	10	271	<b>163 645 013</b>	<b>163 645 033</b>
32	25	10	481	<b>163 645 014</b>	<b>163 645 034</b>
40	32	10	759	<b>163 645 015</b>	<b>163 645 035</b>
50	40	10	1263	<b>163 645 016</b>	<b>163 645 036</b>
63	50	10	1728	<b>163 645 017</b>	<b>163 645 037</b>

d [mm]	D [mm]	D1_G [inch]	L [mm]	L2 [mm]	H [mm]	H1 [mm]	H2 [mm]	H3 [mm]	H4 [mm]	H5 [mm]	H7 [mm]	M	Lift = Hx [mm]
20	68	1/8	124	25	101	14	12	60	24	16	43	M6	7
25	96	1/8	144	25	132	18	12	73	25	16	57	M6	10
32	96	1/8	154	25	143	22	12	84	25	16	57	M6	13
40	120	1/8	174	45	173	26	15	99	26	26	69	M8	15
50	150	1/4	194	45	214	32	15	119	36	26	88	M8	19
63	150	1/4	224	45	226	39	15	132	36	26	88	M8	23



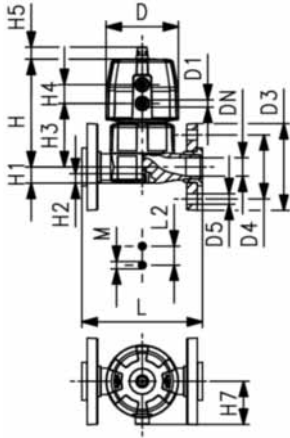
## Diaphragm valve DIASTAR Ten PVC-C FO (Fail safe to open) With backing flanges PP-V metric/BS

### Model:

- Double flow rate compared to predecessor
- One housing nut replaces four screws
- Rotating air connection at 90° intervals
- Flat sealing faces
- Overall length EN 558
- Connecting dimension: ISO 7005 PN 10, EN 1092 PN 10, DIN 2501 PN 10, BS 4504 PN 10

### Option:

- Individual configuration of the valve (see diagram)
- Comprehensive range of accessories available



d [mm]	DN [mm]	PN [bar]	kv-value ( $\Delta p=1$ bar) [l/min]	EPDM Code	PTFE/EPDM Code
20	15	10	125	<b>163 647 112</b>	<b>163 647 132</b>
25	20	10	271	<b>163 647 113</b>	<b>163 647 133</b>
32	25	10	481	<b>163 647 114</b>	<b>163 647 134</b>
40	32	10	759	<b>163 647 115</b>	<b>163 647 135</b>
50	40	10	1263	<b>163 647 116</b>	<b>163 647 136</b>
63	50	10	1728	<b>163 647 117</b>	<b>163 647 137</b>

d [mm]	D [mm]	D1_G [inch]	D3 [mm]	D4 [mm]	D5 [mm]	L [mm]	L2 [mm]	H [mm]	H1 [mm]	H2 [mm]	H3 [mm]	H4 [mm]	H5 [mm]	H7 [mm]	M
20	68	1/8	95	65	14	130	25	101	14	12	60	24	16	43	M6
25	96	1/8	105	75	14	150	25	132	18	12	73	25	16	57	M6
32	96	1/8	115	85	14	160	25	143	22	12	84	25	16	57	M6
40	120	1/8	140	100	18	180	45	173	26	15	99	26	26	69	M8
50	150	1/4	150	110	18	200	45	214	32	15	119	36	26	88	M8
63	150	1/4	165	125	18	230	45	226	39	15	132	36	26	88	M8

d [mm]	Lift = Hx [mm]
20	7
25	10
32	13
40	15
50	19
63	23



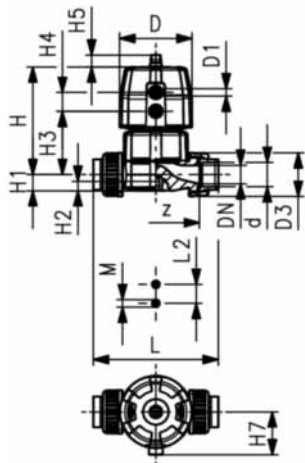
## Diaphragm valve DIASTAR Ten PVC-C DA (Double acting) Unions with solvent cement sockets metric

### Model:

- Double flow rate compared to predecessor
- One housing nut replaces four screws
- Rotating air connection at 90° intervals
- For easy installation and removal
- Short overall length

### Option:

- Individual configuration of the valve (see diagram)
- Comprehensive range of accessories available



d [mm]	DN [mm]	PN [bar]	kv-value ( $\Delta p=1$ bar) [l/min]	EPDM Code	PTFE/EPDM Code
20	15	10	125	<b>163 654 012</b>	<b>163 654 032</b>
25	20	10	271	<b>163 654 013</b>	<b>163 654 033</b>
32	25	10	481	<b>163 654 014</b>	<b>163 654 034</b>
40	32	10	759	<b>163 654 015</b>	<b>163 654 035</b>
50	40	10	1263	<b>163 654 016</b>	<b>163 654 036</b>
63	50	10	1728	<b>163 654 017</b>	<b>163 654 037</b>

d [mm]	D [mm]	D1_G [inch]	L [mm]	L2 [mm]	H [mm]	H1 [mm]	H2 [mm]	H3 [mm]	H4 [mm]	H5 [mm]	H7 [mm]	M	z [mm]	Lift = Hx [mm]
20	68	1/8	128	25	101	14	12	60	24	16	43	M6	96	7
25	96	1/8	152	25	132	18	12	73	25	16	57	M6	114	10
32	96	1/8	166	25	143	22	12	84	25	16	57	M6	122	13
40	120	1/8	192	45	173	26	15	99	26	26	69	M8	140	15
50	150	1/4	222	45	214	32	15	119	36	26	88	M8	160	19
63	150	1/4	266	45	226	39	15	132	36	26	88	M8	190	23



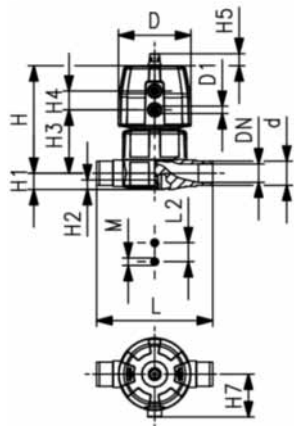
## Diaphragm valve DIASTAR Ten PVC-C DA (Double acting) With solvent cement spigots metric

### Model:

- Double flow rate compared to predecessor
- One housing nut replaces four screws
- Rotating air connection at 90° intervals
- Overall length EN 558

### Option:

- Individual configuration of the valve (see diagram)
- Comprehensive range of accessories available



d [mm]	DN [mm]	PN [bar]	kv-value ( $\Delta p=1$ bar) [l/min]	EPDM Code	PTFE/EPDM Code
20	15	10	125	<b>163 655 012</b>	<b>163 655 032</b>
25	20	10	271	<b>163 655 013</b>	<b>163 655 033</b>
32	25	10	481	<b>163 655 014</b>	<b>163 655 034</b>
40	32	10	759	<b>163 655 015</b>	<b>163 655 035</b>
50	40	10	1263	<b>163 655 016</b>	<b>163 655 036</b>
63	50	10	1728	<b>163 655 017</b>	<b>163 655 037</b>

d [mm]	D [mm]	D1_G [inch]	L [mm]	L2 [mm]	H [mm]	H1 [mm]	H2 [mm]	H3 [mm]	H4 [mm]	H5 [mm]	H7 [mm]	M	Lift = Hx [mm]
20	68	1/8	124	25	101	14	12	60	24	16	43	M6	7
25	96	1/8	144	25	132	18	12	73	25	16	57	M6	10
32	96	1/8	154	25	143	22	12	84	25	16	57	M6	13
40	120	1/8	174	45	173	26	15	99	26	26	69	M8	15
50	150	1/4	194	45	214	32	15	119	36	26	88	M8	19
63	150	1/4	224	45	226	39	15	132	36	26	88	M8	23



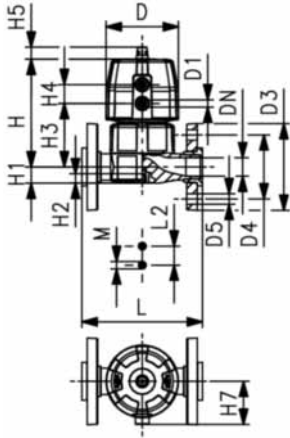
## Diaphragm valve DIASTAR Ten PVC-C DA (Double acting) With backing flanges PP-V metric/BS

### Model:

- Double flow rate compared to predecessor
- One housing nut replaces four screws
- Rotating air connection at 90° intervals
- Flat sealing faces
- Overall length EN 558
- Connecting dimension: ISO 7005 PN 10, EN 1092 PN 10, DIN 2501 PN 10, BS 4504 PN 10

### Option:

- Individual configuration of the valve (see diagram)
- Comprehensive range of accessories available



d [mm]	DN [mm]	PN [bar]	kv-value ( $\Delta p=1$ bar) [l/min]	EPDM Code	PTFE/EPDM Code
20	15	10	125	<b>163 657 112</b>	<b>163 657 132</b>
25	20	10	271	<b>163 657 113</b>	<b>163 657 133</b>
32	25	10	481	<b>163 657 114</b>	<b>163 657 134</b>
40	32	10	759	<b>163 657 115</b>	<b>163 657 135</b>
50	40	10	1263	<b>163 657 116</b>	<b>163 657 136</b>
63	50	10	1728	<b>163 657 117</b>	<b>163 657 137</b>

d [mm]	D [mm]	D1_G [inch]	D3 [mm]	D4 [mm]	D5 [mm]	L [mm]	L2 [mm]	H [mm]	H1 [mm]	H2 [mm]	H3 [mm]	H4 [mm]	H5 [mm]	H7 [mm]	M
20	68	1/8	95	65	14	130	25	101	14	12	60	24	16	43	M6
25	96	1/8	105	75	14	150	25	132	18	12	73	25	16	57	M6
32	96	1/8	115	85	14	160	25	143	22	12	84	25	16	57	M6
40	120	1/8	140	100	18	180	45	173	26	15	99	26	26	69	M8
50	150	1/4	150	110	18	200	45	214	32	15	119	36	26	88	M8
63	150	1/4	165	125	18	230	45	226	39	15	132	36	26	88	M8

d [mm]	Lift = Hx [mm]
20	7
25	10
32	13
40	15
50	19
63	23



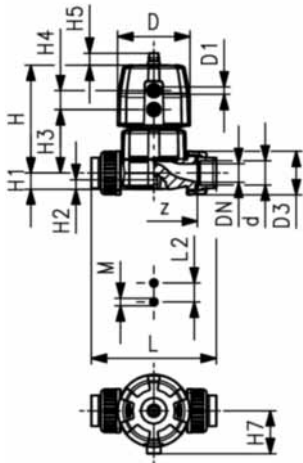
## Diaphragm valve DIASTAR Sixteen PVC-C FC (Fail safe to close) Unions with solvent cement sockets metric

### Model:

- Double flow rate compared to predecessor
- One housing nut replaces four screws
- Rotating air connection at 90° intervals
- For easy installation and removal
- Short overall length

### Option:

- Individual configuration of the valve (see diagram)
- Comprehensive range of accessories available



d [mm]	DN [mm]	PN [bar]	kv-value ( $\Delta p=1$ bar) [l/min]	EPDM Code	PTFE/EPDM Code
20	15	10	125	<b>163 634 012</b>	<b>163 634 032</b>
25	20	10	271	<b>163 634 013</b>	<b>163 634 033</b>
32	25	10	481	<b>163 634 014</b>	<b>163 634 034</b>
40	32	10	759	<b>163 634 015</b>	<b>163 634 035</b>
50	40	10	1263	<b>163 634 016</b>	<b>163 634 036</b>
63	50	10	1728	<b>163 634 017</b>	<b>163 634 037</b>

d [mm]	D [mm]	D1_G [inch]	L [mm]	L2 [mm]	H [mm]	H1 [mm]	H2 [mm]	H3 [mm]	H4 [mm]	H5 [mm]	H7 [mm]	M	z [mm]	Lift = Hx [mm]
20	96	1/8	128	25	127	14	12	68	25	16	57	M6	96	7
25	96	1/8	152	25	132	18	12	73	25	16	57	M6	114	10
32	120	1/8	166	25	167	22	12	93	26	26	69	M6	122	13
40	150	1/4	192	45	196	26	15	101	36	26	88	M8	140	15
50	180	1/4	222	45	239	32	15	124	37	26	103	M8	160	19
63	180	1/4	266	45	251	39	15	137	37	26	103	M8	190	23

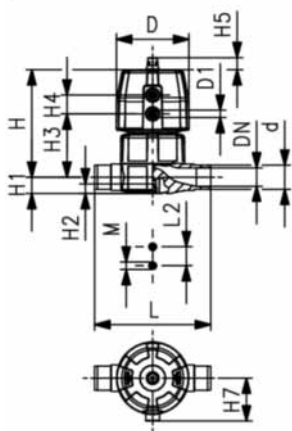
## Diaphragm valve DIASTAR Sixteen PVC-C FC (Fail safe to close) With solvent cement spigots metric

### Model:

- Double flow rate compared to predecessor
- One housing nut replaces four screws
- Rotating air connection at 90° intervals
- Overall length EN 558

### Option:

- Individual configuration of the valve (see diagram)
- Comprehensive range of accessories available

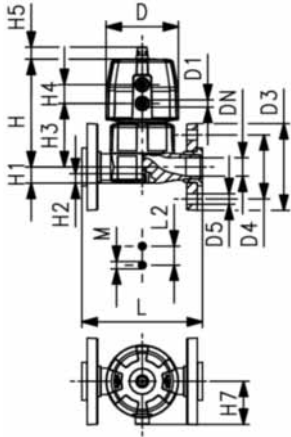


d [mm]	DN [mm]	PN [bar]	kv-value ( $\Delta p=1$ bar) [l/min]	EPDM Code	PTFE/EPDM Code
20	15	10	125	<b>163 635 012</b>	<b>163 635 032</b>
25	20	10	271	<b>163 635 013</b>	<b>163 635 033</b>
32	25	10	481	<b>163 635 014</b>	<b>163 635 034</b>
40	32	10	759	<b>163 635 015</b>	<b>163 635 035</b>
50	40	10	1263	<b>163 635 016</b>	<b>163 635 036</b>
63	50	10	1728	<b>163 635 017</b>	<b>163 635 037</b>

d [mm]	D [mm]	D1_G [inch]	L [mm]	L2 [mm]	H [mm]	H1 [mm]	H2 [mm]	H3 [mm]	H4 [mm]	H5 [mm]	H7 [mm]	M	Lift = Hx [mm]
20	96	1/8	124	25	127	14	12	68	25	16	57	M6	7
25	96	1/8	144	25	132	18	12	73	25	16	57	M6	10
32	120	1/8	154	25	167	22	12	93	26	26	69	M6	13
40	150	1/4	174	45	196	26	15	101	36	26	88	M8	15
50	180	1/4	194	45	239	32	15	124	37	26	103	M8	19
63	180	1/4	224	45	251	39	15	137	37	26	103	M8	23



# Diaphragm valve DIASTAR Sixteen PVC-C FC (Fail safe to close) With backing flanges PP-V metric/BS



## Model:

- Double flow rate compared to predecessor
- One housing nut replaces four screws
- Rotating air connection at 90° intervals
- Flat sealing faces
- Overall length EN 558
- Connecting dimension: ISO 7005 PN 10, EN 1092 PN 10, DIN 2501 PN 10, BS 4504 PN 10

## Option:

- Individual configuration of the valve (see diagram)
- Comprehensive range of accessories available

d [mm]	DN [mm]	PN [bar]	kv-value ( $\Delta p=1$ bar) [l/min]	EPDM Code	PTFE/EPDM Code
20	15	10	125	<b>163 637 112</b>	<b>163 637 132</b>
25	20	10	271	<b>163 637 113</b>	<b>163 637 133</b>
32	25	10	481	<b>163 637 114</b>	<b>163 637 134</b>
40	32	10	759	<b>163 637 115</b>	<b>163 637 135</b>
50	40	10	1263	<b>163 637 116</b>	<b>163 637 136</b>
63	50	10	1728	<b>163 637 117</b>	<b>163 637 137</b>

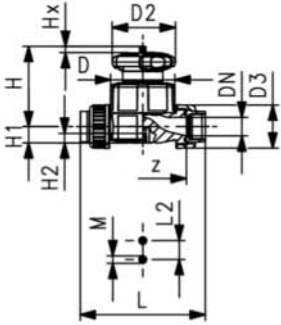
d [mm]	D [mm]	D1_G [inch]	D3 [mm]	D4 [mm]	D5 [mm]	L [mm]	L2 [mm]	H [mm]	H1 [mm]	H2 [mm]	H3 [mm]	H4 [mm]	H5 [mm]	H7 [mm]	M
20	96	1/8	95	65	14	130	25	127	14	12	68	25	16	57	M6
25	96	1/8	105	75	14	150	25	132	18	12	73	25	16	57	M6
32	120	1/8	115	85	14	160	25	167	22	12	93	26	26	69	M6
40	150	1/4	140	100	18	180	45	196	26	15	101	36	26	88	M8
50	180	1/4	150	110	18	200	45	239	32	15	124	37	26	103	M8
63	180	1/4	165	125	18	230	45	251	39	15	137	37	26	103	M8

d [mm]	Lift = Hx [mm]
20	7
25	10
32	13
40	15
50	19
63	23



# Diaphragm valves new generation

## Diaphragm valve type 514 PVC-C With solvent cement sockets ASTM



### Model:

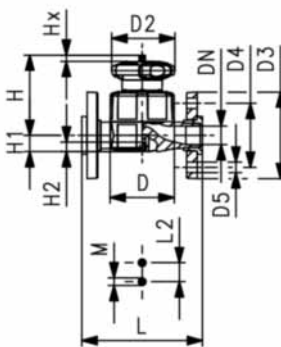
- Double flow rate compared to predecessor
- One housing nut replaces four screws
- Handwheel with built-in locking mechanism
- For easy installation and removal
- Short overall length

### Option:

- Individual configuration of the valve (see diagram)
- Self adjusting multifunctional module with integrated limit switches

Inch	DN [mm]	PN	kv-value ( $\Delta p=1$ bar) [l/min]	EPDM Code	PTFE/EPDM Code
1/2	15	10	125	<b>163 514 612</b>	<b>163 514 632</b>
3/4	20	10	271	<b>163 514 613</b>	<b>163 514 633</b>
1	25	10	481	<b>163 514 614</b>	<b>163 514 634</b>
1 1/4	32	10	759	<b>163 514 615</b>	<b>163 514 635</b>
1 1/2	40	10	1263	<b>163 514 616</b>	<b>163 514 636</b>
2	50	10	1728	<b>163 514 617</b>	<b>163 514 637</b>

Inch	D [mm]	D2 [mm]	D3 [mm]	L [mm]	L2 [mm]	H [mm]	H1 [mm]	H2 [mm]	M	z [mm]	Lift = Hx [mm]
1/2	65	65	43	136	25	73	14	12	M6	96	7
3/4	80	65	51	160	25	81	18	12	M6	114	10
1	88	87	58	176	25	107	22	12	M6	122	13
1 1/4	101	87	72	198	45	115	26	15	M8	140	15
1 1/2	117	135	83	232	45	148	32	15	M8	160	19
2	144	135	100	268	45	166	39	15	M8	190	25



## Diaphragm valve type 517 PVC-C With backing flanges PP-V Inch ANSI

### Model:

- Double flow rate compared to predecessor
- One housing nut replaces four screws
- Handwheel with built-in locking mechanism
- Overall length EN 558
- Connecting dimension: ANSI/ASME B 16.5 class 150, ASTM D 4024, BS 1560, BS EN 1759
- Flat sealing faces

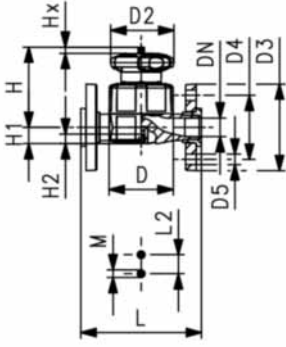
### Option:

- Individual configuration of the valve (see diagram)
- Self adjusting multifunctional module with integrated limit switches

Inch	DN [mm]	PN	kv-value ( $\Delta p=1$ bar) [l/min]	EPDM Code	PTFE/EPDM Code
1/2	15	10	125	<b>163 517 712</b>	<b>163 517 732</b>
3/4	20	10	271	<b>163 517 713</b>	<b>163 517 733</b>
1	25	10	481	<b>163 517 714</b>	<b>163 517 734</b>
1 1/4	32	10	759	<b>163 517 715</b>	<b>163 517 735</b>
1 1/2	40	10	1263	<b>163 517 716</b>	<b>163 517 736</b>
2	50	10	1728	<b>163 517 717</b>	<b>163 517 737</b>

Inch	D [mm]	D2 [mm]	D3 [mm]	D4 [mm]	D5 [mm]	L [mm]	L2 [mm]	H [mm]	H1 [mm]	H2 [mm]	M	Lift = Hx [mm]
1/2	65	65	95	60	16	130	25	73	14	12	M6	7
3/4	80	65	105	70	16	150	25	81	18	12	M6	10
1	88	87	115	79	16	160	25	107	22	12	M6	13

table continued next page

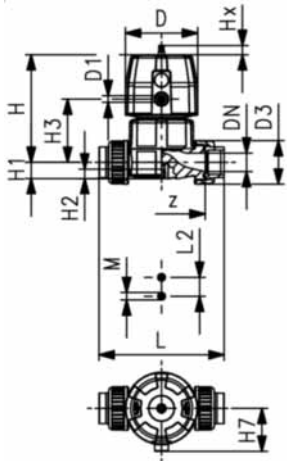


Inch	D [mm]	D2 [mm]	D3 [mm]	D4 [mm]	D5 [mm]	L [mm]	L2 [mm]	H [mm]	H1 [mm]	H2 [mm]	M	Lift = Hx [mm]	
1 ¼	101	87	140	89	16	180	45	115	26	15	M8	15	
1 ½	117	135	150	98	16	200	45	148	32	15	M8	19	
2	144	135	165	121	19	230	45	166	39	15	M8	25	

# Diaphragm valves pneumatic

## New generation

### Diaphragm valve DIASTAR Six PVC-C FC (Fail safe to close) Unions with solvent cement sockets ASTM



**Model:**

- Double flow rate compared to predecessor
- One housing nut replaces four screws
- Rotating air connection at 90° intervals
- For easy installation and removal
- Short overall length

**Option:**

- Individual configuration of the valve (see diagram)

Inch	DN [mm]	PN	kv-value ( $\Delta p=1$ bar) [l/min]	EPDM Code
1/2	15	6	125	<b>163 614 612</b>
3/4	20	6	271	<b>163 614 613</b>
1	25	6	481	<b>163 614 614</b>
1 1/4	32	6	759	<b>163 614 615</b>
1 1/2	40	6	1263	<b>163 614 616</b>
2	50	6	1728	<b>163 614 617</b>

Inch	D [mm]	D1_G [inch]	L [mm]	L2 [mm]	H [mm]	H1 [mm]	H2 [mm]	H3 [mm]	H7 [mm]	M	z [mm]	Lift = Hx [mm]
1/2	68	1/8	136	25	101	14	12	60	43	M6	96	7
3/4	96	1/8	160	25	132	18	12	73	57	M6	114	10
1	96	1/8	176	25	143	22	12	84	57	M6	122	13
1 1/4	120	1/8	198	45	173	26	15	99	69	M8	140	14
1 1/2	120	1/8	232	45	193	32	15	119	69	M8	160	16
2	120	1/8	268	45	205	39	15	132	69	M8	190	16



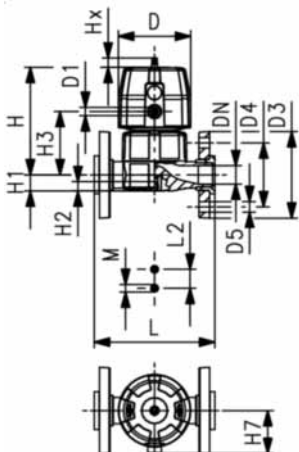
### Diaphragm valve DIASTAR Six PVC-C FC (Fail safe to close) With backing flanges PP-V Inch ANSI

**Model:**

- Double flow rate compared to predecessor
- One housing nut replaces four screws
- Rotating air connection at 90° intervals
- Flat sealing faces
- Overall length EN 558
- Connecting dimension: ANSI/ASME B 16.5 class 150, ASTM D 4024, BS 1560, BS EN 1759

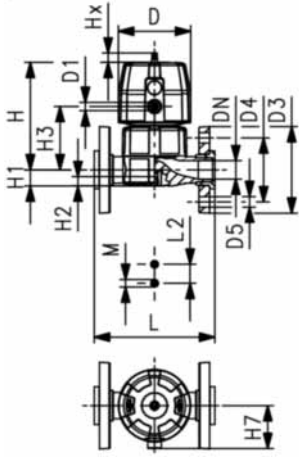
**Option:**

- Individual configuration of the valve (see diagram)



Inch	DN [mm]	PN	kv-value ( $\Delta p=1$ bar) [l/min]	EPDM Code
1/2	15	6	125	<b>163 617 712</b>
3/4	20	6	271	<b>163 617 713</b>
1	25	6	481	<b>163 617 714</b>
1 1/4	32	6	759	<b>163 617 715</b>
1 1/2	40	6	1263	<b>163 617 716</b>
2	50	6	1728	<b>163 617 717</b>

table continued next page



Inch	D [mm]	D1_G [inch]	D3 [mm]	D4 [mm]	D5 [mm]	L [mm]	L2 [mm]	H [mm]	H1 [mm]	H2 [mm]	H3 [mm]	H7 [mm]	M	Lift = Hx [mm]
½	68	⅜	95	60	16	130	25	101	14	12	60	43	M6	7
¾	96	⅜	105	70	16	150	25	132	18	12	73	57	M6	10
1	96	⅜	115	79	16	160	25	143	22	12	84	57	M6	13
1 ¼	120	⅜	140	89	16	180	45	173	26	15	99	69	M8	14
1 ½	120	⅜	150	98	16	200	45	193	32	15	119	69	M8	16
2	120	⅜	165	121	19	230	45	205	39	15	132	69	M8	16



## Diaphragm valve DIASTAR Ten PVC-C FC (Fail safe to close) Unions with solvent cement sockets ASTM

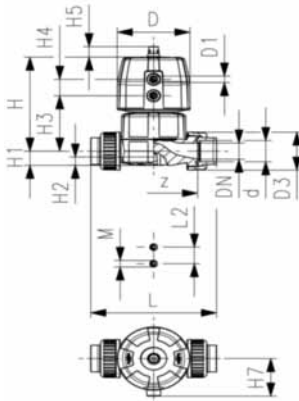
### Model:

- Double flow rate compared to predecessor
- One housing nut replaces four screws
- Rotating air connection at 90° intervals
- For easy installation and removal
- Short overall length

### Option:

- Individual configuration of the valve (see diagram)
- Comprehensive range of accessories available

\* PN: PTFE/EPDM



Inch	DN [mm]	PN [bar]	kv-value (Δp=1 bar) [l/min]	EPDM Code	PTFE/EPDM Code
½	15	10/10*	125	<b>163 624 612</b>	<b>163 624 632</b>
¾	20	10/10*	271	<b>163 624 613</b>	<b>163 624 633</b>
1	25	10/10*	481	<b>163 624 614</b>	<b>163 624 634</b>
1 ¼	32	10/10*	759	<b>163 624 615</b>	<b>163 624 635</b>
1 ½	40	10/10*	1263	<b>163 624 616</b>	<b>163 624 636</b>
2	50	10/6*	1728	<b>163 624 617</b>	<b>163 624 637</b>

Inch	D [mm]	D1_G [inch]	L [mm]	L2 [mm]	H [mm]	H1 [mm]	H2 [mm]	H3 [mm]	H4 [mm]	H5 [mm]	H7 [mm]	M	z [mm]	Lift = Hx [mm]
½	68	⅜	136	25	101	14	12	60	24	16	43	M6	96	7
¾	96	⅜	160	25	132	18	12	73	25	16	57	M6	114	10
1	96	⅜	176	25	143	22	12	84	25	16	57	M6	122	13
1 ¼	120	⅜	198	45	173	26	15	99	26	26	69	M8	140	15
1 ½	150	¼	232	45	214	32	15	119	36	26	88	M8	160	19
2	150	¼	268	45	226	39	15	132	36	26	88	M8	190	23



## Diaphragm valve DIASTAR Ten PVC-C FC (Fail safe to close) With backing flanges PP-V Inch ANSI

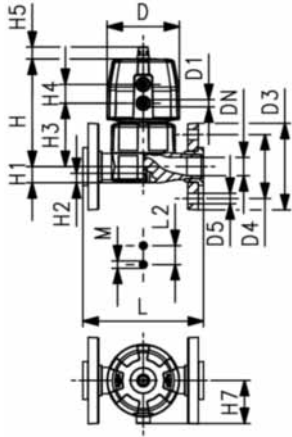
### Model:

- Double flow rate compared to predecessor
- One housing nut replaces four screws
- Rotating air connection at 90° intervals
- Flat sealing faces
- Overall length EN 558
- Connecting dimension: ANSI/ASME B 16.5 class 150, ASTM D 4024, BS 1560, BS EN 1759

### Option:

- Individual configuration of the valve (see diagram)
- Comprehensive range of accessories available

\* PN: PTFE/EPDM



Inch	DN [mm]	PN [bar]	kv-value ( $\Delta p=1$ bar) [l/min]	EPDM Code	PTFE/EPDM Code
½	15	10/10*	125	<b>163 627 712</b>	<b>163 627 732</b>
¾	20	10/10*	271	<b>163 627 713</b>	<b>163 627 733</b>
1	25	10/10*	481	<b>163 627 714</b>	<b>163 627 734</b>
1 ¼	32	10/10*	759	<b>163 627 715</b>	<b>163 627 735</b>
1 ½	40	10/10*	1263	<b>163 627 716</b>	<b>163 627 736</b>
2	50	10/6*	1728	<b>163 627 717</b>	<b>163 627 737</b>

Inch	D [mm]	D1_G [inch]	D3 [mm]	D4 [mm]	D5 [mm]	L [mm]	L2 [mm]	H [mm]	H1 [mm]	H2 [mm]	H3 [mm]	H4 [mm]	H5 [mm]	H7 [mm]	M
½	68	¾	95	60	16	130	25	101	14	12	60	24	16	43	M6
¾	96	¾	105	70	16	150	25	132	18	12	73	25	16	57	M6
1	96	¾	115	79	16	160	25	143	22	12	84	25	16	57	M6
1 ¼	120	¾	140	89	16	180	45	173	26	15	99	26	26	69	M8
1 ½	150	¾	150	98	16	200	45	193	32	15	119	36	26	88	M8
2	150	¾	165	121	19	230	45	205	39	15	132	36	26	88	M8

Inch	Lift = Hx [mm]
½	7
¾	10
1	13
1 ¼	15
1 ½	19
2	23



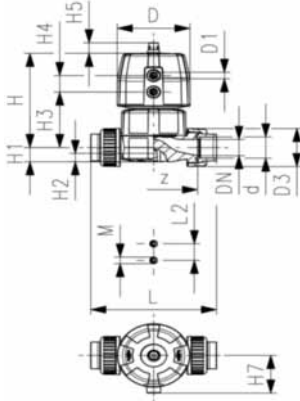
## Diaphragm valve DIASTAR Ten PVC-C FO (Fail safe to open) Unions with solvent cement sockets ASTM

### Model:

- Double flow rate compared to predecessor
- One housing nut replaces four screws
- Rotating air connection at 90° intervals
- For easy installation and removal
- Short overall length

### Option:

- Individual configuration of the valve (see diagram)
- Comprehensive range of accessories available



Inch	DN [mm]	PN [bar]	kv-value ( $\Delta p=1$ bar) [l/min]	EPDM Code	PTFE/EPDM Code
1/2	15	10/5*	125	<b>163 644 612</b>	<b>163 644 632</b>
3/4	20	10/6*	271	<b>163 644 613</b>	<b>163 644 633</b>
1	25	10/6*	481	<b>163 644 614</b>	<b>163 644 634</b>
1 1/4	32	10/6*	759	<b>163 644 615</b>	<b>163 644 635</b>
1 1/2	40	10/6*	1263	<b>163 644 616</b>	<b>163 644 636</b>
2	50	10/6*	1728	<b>163 644 617</b>	<b>163 644 637</b>

Inch	D [mm]	D1_G [inch]	L [mm]	L2 [mm]	H [mm]	H1 [mm]	H2 [mm]	H3 [mm]	H4 [mm]	H5 [mm]	H7 [mm]	M	z [mm]	Lift = Hx [mm]
1/2	68	1/8	136	25	101	14	12	60	24	16	43	M6	96	7
3/4	96	1/8	160	25	132	18	12	73	25	16	57	M6	114	10
1	96	1/8	176	25	143	22	12	84	25	16	57	M6	122	13
1 1/4	120	1/8	198	45	173	26	15	99	26	26	69	M8	140	15
1 1/2	150	1/4	232	45	214	32	15	119	36	26	88	M8	160	19
2	150	1/4	268	45	226	39	15	132	36	26	88	M8	190	23



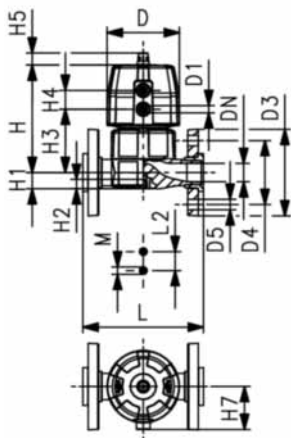
## Diaphragm valve DIASTAR Ten PVC-C FO (Fail safe to open) With backing flanges PP-V Inch ANSI

### Model:

- Double flow rate compared to predecessor
- One housing nut replaces four screws
- Rotating air connection at 90° intervals
- Flat sealing faces
- Overall length EN 558
- Connecting dimension: ANSI/ASME B 16.5 class 150, ASTM D 4024, BS 1560, BS EN 1759

### Option:

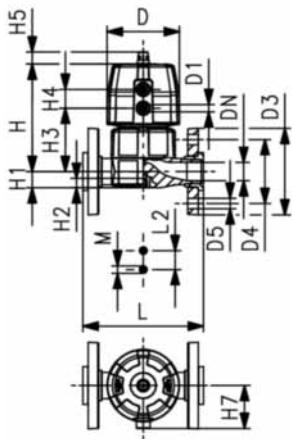
- Individual configuration of the valve (see diagram)
- Comprehensive range of accessories available



Inch	DN [mm]	PN [bar]	kv-value ( $\Delta p=1$ bar) [l/min]	EPDM Code	PTFE/EPDM Code
1/2	15	10	125	<b>163 647 712</b>	<b>163 647 732</b>
3/4	20	10	271	<b>163 647 713</b>	<b>163 647 733</b>
1	25	10	481	<b>163 647 714</b>	<b>163 647 734</b>
1 1/4	32	10	759	<b>163 647 715</b>	<b>163 647 735</b>
1 1/2	40	10	1263	<b>163 647 716</b>	<b>163 647 736</b>
2	50	10	1728	<b>163 647 717</b>	<b>163 647 737</b>

Inch	D [mm]	D1_G [inch]	D3 [mm]	D4 [mm]	D5 [mm]	L [mm]	L2 [mm]	H [mm]	H1 [mm]	H2 [mm]	H3 [mm]	H4 [mm]	H5 [mm]	H7 [mm]	M
1/2	68	1/8	95	60	16	130	25	101	14	12	60	24	16	43	M6
3/4	96	1/8	105	70	16	150	25	132	18	12	73	25	16	57	M6
1	96	1/8	115	79	16	160	25	143	22	12	84	25	16	57	M6

table continued next page



Inch	D [mm]	D1_G [inch]	D3 [mm]	D4 [mm]	D5 [mm]	L [mm]	L2 [mm]	H [mm]	H1 [mm]	H2 [mm]	H3 [mm]	H4 [mm]	H5 [mm]	H7 [mm]	M
1 ¼	120	⅜	140	89	16	180	45	173	26	15	99	26	26	69	M8
1 ½	150	¼	150	98	16	200	45	214	32	15	119	36	26	88	M8
2	150	¼	165	121	19	230	45	226	39	15	132	36	26	88	M8

Inch	Lift = Hx [mm]
½	7
¾	10
1	13
1 ¼	15
1 ½	19
2	23



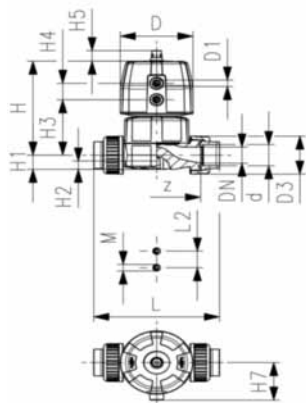
## Diaphragm valve DIASTAR Ten PVC-C DA (Double acting) Unions with solvent cement sockets ASTM

### Model:

- Double flow rate compared to predecessor
- One housing nut replaces four screws
- Rotating air connection at 90° intervals
- For easy installation and removal
- Short overall length

### Option:

- Individual configuration of the valve (see diagram)
- Comprehensive range of accessories available



Inch	DN [mm]	PN [bar]	kv-value (Δp=1 bar) [l/min]	EPDM Code	PTFE/EPDM Code
½	15	10	125	<b>163 654 612</b>	<b>163 654 632</b>
¾	20	10	271	<b>163 654 613</b>	<b>163 654 633</b>
1	25	10	481	<b>163 654 614</b>	<b>163 654 634</b>
1 ¼	32	10	759	<b>163 654 615</b>	<b>163 654 635</b>
1 ½	40	10	1263	<b>163 654 616</b>	<b>163 654 636</b>
2	50	10	1728	<b>163 654 617</b>	<b>163 654 637</b>

Inch	D [mm]	D1_G [inch]	L [mm]	L2 [mm]	H [mm]	H1 [mm]	H2 [mm]	H3 [mm]	H4 [mm]	H5 [mm]	H7 [mm]	M	z [mm]	Lift = Hx [mm]
½	68	⅜	136	25	101	14	12	60	24	16	43	M6	96	7
¾	96	⅜	160	25	132	18	12	73	25	16	57	M6	114	10
1	96	⅜	176	25	143	22	12	84	25	16	57	M6	122	13
1 ¼	120	⅜	198	45	173	26	15	99	26	26	69	M8	140	15
1 ½	150	¼	232	45	214	32	15	119	36	26	88	M8	160	19
2	150	¼	268	45	226	39	15	132	36	26	88	M8	190	23





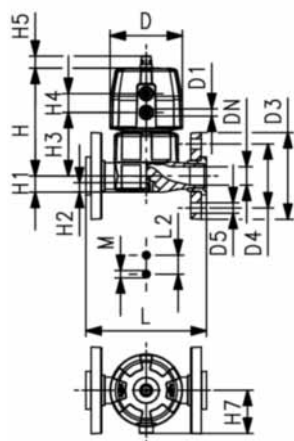
## Diaphragm valve DIASTAR Ten PVC-C DA (Double acting) With backing flanges PP-V Inch ANSI

### Model:

- Double flow rate compared to predecessor
- One housing nut replaces four screws
- Rotating air connection at 90° intervals
- Flat sealing faces
- Overall length EN 558
- Connecting dimension: ANSI/ASME B 16.5 class 150, ASTM D 4024, BS 1560, BS EN 1759

### Option:

- Individual configuration of the valve (see diagram)
- Comprehensive range of accessories available



Inch	DN [mm]	PN [bar]	kv-value ( $\Delta p=1$ bar) [l/min]	EPDM Code	PTFE/EPDM Code
½	15	10	125	<b>163 657 712</b>	<b>163 657 732</b>
¾	20	10	271	<b>163 657 713</b>	<b>163 657 733</b>
1	25	10	481	<b>163 657 714</b>	<b>163 657 734</b>
1 ¼	32	10	759	<b>163 657 715</b>	<b>163 657 735</b>
1 ½	40	10	1263	<b>163 657 716</b>	<b>163 657 736</b>
2	50	10	1728	<b>163 657 717</b>	<b>163 657 737</b>

Inch	D [mm]	D1_G [inch]	D3 [mm]	D4 [mm]	D5 [mm]	L [mm]	L2 [mm]	H [mm]	H1 [mm]	H2 [mm]	H3 [mm]	H4 [mm]	H5 [mm]	H7 [mm]	M
½	68	⅜	95	60	16	130	25	101	14	12	60	24	16	43	M6
¾	96	⅜	105	70	16	150	25	132	18	12	73	25	16	57	M6
1	96	⅜	115	79	16	160	25	143	22	12	84	25	16	57	M6
1 ¼	120	⅜	140	89	16	180	45	173	26	15	99	26	26	69	M8
1 ½	150	¼	150	98	16	200	45	214	32	15	119	36	26	88	M8
2	150	¼	165	121	19	230	45	226	39	15	132	36	26	88	M8

Inch	Lift = Hx [mm]
½	7
¾	10
1	13
1 ¼	15
1 ½	19
2	23



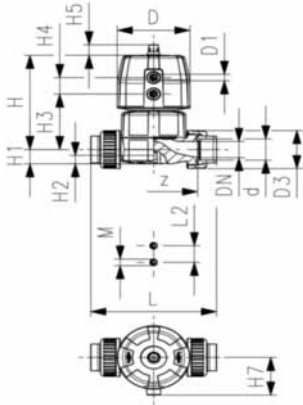
## Diaphragm valve DIASTAR Sixteen PVC-C FC (Fail safe to close) Unions with solvent cement sockets ASTM

### Model:

- Double flow rate compared to predecessor
- One housing nut replaces four screws
- Rotating air connection at 90° intervals
- For easy installation and removal
- Short overall length

### Option:

- Individual configuration of the valve (see diagram)
- Comprehensive range of accessories available



Inch	DN [mm]	PN [bar]	kv-value ( $\Delta p=1$ bar) [l/min]	EPDM Code	PTFE/EPDM Code
1/2	15	10	125	163 634 612	163 634 632
3/4	20	10	271	163 634 613	163 634 633
1	25	10	481	163 634 614	163 634 634
1 1/4	32	10	759	163 634 615	163 634 635
1 1/2	40	10	1263	163 634 616	163 634 636
2	50	10	1728	163 634 617	163 634 637

Inch	D [mm]	D1_G [inch]	L [mm]	L2 [mm]	H [mm]	H1 [mm]	H2 [mm]	H3 [mm]	H4 [mm]	H5 [mm]	H7 [mm]	M	z [mm]	Lift = Hx [mm]
1/2	96	3/8	136	25	127	14	12	68	25	16	57	M6	96	7
3/4	96	3/8	160	25	132	18	12	73	25	16	57	M6	114	10
1	120	3/8	176	25	167	22	12	93	26	26	69	M6	122	13
1 1/4	150	1/4	198	45	196	26	15	101	36	26	88	M8	140	15
1 1/2	180	1/4	232	45	239	32	15	124	37	26	103	M8	160	19
2	180	1/4	268	45	251	39	15	137	37	26	103	M8	190	23

## Diaphragm valve DIASTAR Sixteen PVC-C FC (Fail safe to close) With backing flanges PP-V Inch ANSI

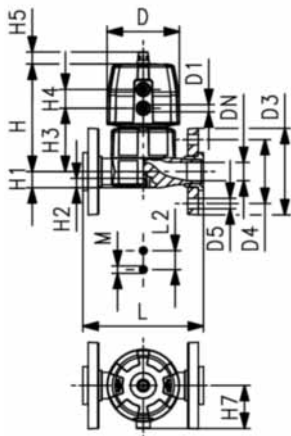


### Model:

- Double flow rate compared to predecessor
- One housing nut replaces four screws
- Rotating air connection at 90° intervals
- Flat sealing faces
- Overall length EN 558
- Connecting dimension: ANSI/ASME B 16.5 class 150, ASTM D 4024, BS 1560, BS EN 1759

### Option:

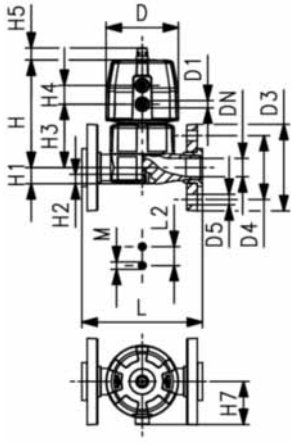
- Individual configuration of the valve (see diagram)
- Comprehensive range of accessories available



Inch	DN [mm]	PN [bar]	kv-value ( $\Delta p=1$ bar) [l/min]	EPDM Code	PTFE/EPDM Code
1/2	15	10	125	163 637 712	163 637 732
3/4	20	10	271	163 637 713	163 637 733
1	25	10	481	163 637 714	163 637 734
1 1/4	32	10	759	163 637 715	163 637 735
1 1/2	40	10	1263	163 637 716	163 637 736
2	50	10	1728	163 637 717	163 637 737

Inch	D [mm]	D1_G [inch]	D3 [mm]	D4 [mm]	D5 [mm]	L [mm]	L2 [mm]	H [mm]	H1 [mm]	H2 [mm]	H3 [mm]	H4 [mm]	H5 [mm]	H7 [mm]	M
1/2	96	3/8	95	60	16	130	25	127	14	12	68	25	16	57	M6
3/4	96	3/8	105	70	16	150	25	132	18	12	73	25	16	57	M6
1	120	3/8	115	79	16	160	25	167	22	12	93	26	26	69	M6

table continued next page

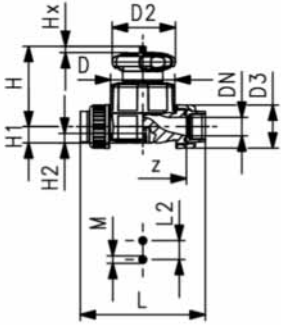


Inch	D [mm]	D1_G [inch]	D3 [mm]	D4 [mm]	D5 [mm]	L [mm]	L2 [mm]	H [mm]	H1 [mm]	H2 [mm]	H3 [mm]	H4 [mm]	H5 [mm]	H7 [mm]	M
1 ¼	150	¼	140	89	16	180	45	196	26	15	101	36	26	88	M8
1 ½	180	¼	150	98	16	200	45	239	32	15	124	37	26	103	M8
2	180	¼	165	121	19	230	45	251	39	15	137	37	26	103	M8

Inch	Lift = Hx [mm]
½	7
¾	10
1	13
1 ¼	15
1 ½	19
2	23

# Diaphragm valves new generation

## Diaphragm valve type 514 PVC-C SF With solvent cement sockets ASTM



### Model:

- Silicone free / paint-compatible
- Double flow rate compared to predecessor
- One housing nut replaces four screws
- Handwheel with built-in locking mechanism
- For easy installation and removal
- Short overall length

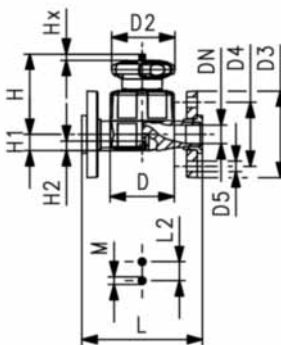
### Option:

- Individual configuration of the valve (see diagram)
- Self adjusting multifunctional module with integrated limit switches

Inch	DN [mm]	PN	kv-value ( $\Delta p=1$ bar) [l/min]	EPDM Code	PTFE/EPDM Code
1/2	15	10	125	<b>163 514 622</b>	<b>163 514 672</b>
3/4	20	10	271	<b>163 514 623</b>	<b>163 514 673</b>
1	25	10	481	<b>163 514 624</b>	<b>163 514 674</b>
1 1/4	32	10	759	<b>163 514 625</b>	<b>163 514 675</b>
1 1/2	40	10	1263	<b>163 514 626</b>	<b>163 514 676</b>
2	50	10	1728	<b>163 514 627</b>	<b>163 514 677</b>

Inch	D [mm]	D2 [mm]	D3 [mm]	L [mm]	L2 [mm]	H [mm]	H1 [mm]	H2 [mm]	M	z [mm]	Lift = Hx [mm]
1/2	65	65	43	136	25	73	14	12	M6	96	7
3/4	80	65	51	160	25	81	18	12	M6	114	10
1	88	87	58	176	25	107	22	12	M6	122	13
1 1/4	101	87	72	198	45	115	26	15	M8	140	15
1 1/2	117	135	83	232	45	148	32	15	M8	160	19
2	144	135	100	268	45	166	39	15	M8	190	25

## Diaphragm valve type 517 PVC-C SF With backing flanges PP-V Inch ANSI



### Model:

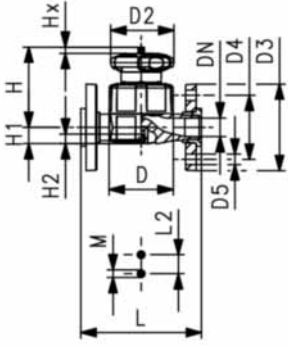
- Silicone free / paint-compatible
- Double flow rate compared to predecessor
- One housing nut replaces four screws
- Handwheel with built-in locking mechanism
- Overall length EN 558
- Connecting dimension: ANSI/ASME B 16.5 class 150, ASTM D 4024, BS 1560, BS EN 1759
- Flat sealing faces

### Option:

- Individual configuration of the valve (see diagram)
- Self adjusting multifunctional module with integrated limit switches

Inch	DN [mm]	PN	kv-value ( $\Delta p=1$ bar) [l/min]	EPDM Code	PTFE/EPDM Code
1/2	15	10	125	<b>163 517 722</b>	<b>163 517 772</b>
3/4	20	10	271	<b>163 517 723</b>	<b>163 517 773</b>
1	25	10	481	<b>163 517 724</b>	<b>163 517 774</b>
1 1/4	32	10	759	<b>163 517 725</b>	<b>163 517 775</b>
1 1/2	40	10	1263	<b>163 517 726</b>	<b>163 517 776</b>
2	50	10	1728	<b>163 517 727</b>	<b>163 517 777</b>

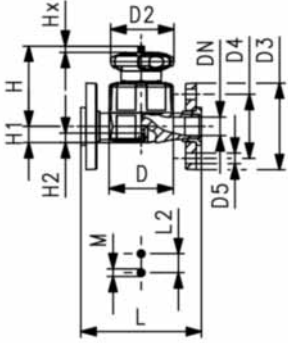
table continued next page



Inch	D [mm]	D2 [mm]	D3 [mm]	D4 [mm]	D5 [mm]	L [mm]	L2 [mm]	H [mm]	H1 [mm]	H2 [mm]	M	Lift = Hx [mm]
½	65	65	95	60	16	130	25	73	14	12	M6	7
¾	80	65	105	70	16	150	25	81	18	12	M6	10
1	88	87	115	79	16	160	25	107	22	12	M6	13
1 ¼	101	87	140	89	16	180	45	115	26	15	M8	15
1 ½	117	135	150	98	16	200	45	148	32	15	M8	19
2	144	135	165	121	19	230	45	166	39	15	M8	25

# Diaphragm valves new generation

## Diaphragm valve type 517 PVC-C With backing flanges PP-V JIS



### Model:

- Double flow rate compared to predecessor
- One housing nut replaces four screws
- Handwheel with built-in locking mechanism
- Overall length EN 558
- Connecting dimension: JIS B2238/39 10K
- Flat sealing faces/serrated

### Option:

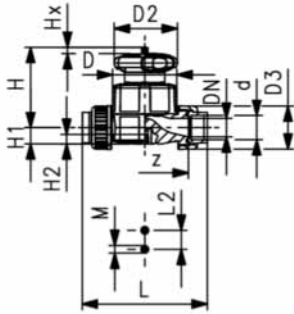
- Individual configuration of the valve (see diagram)
- Self adjusting multifunctional module with integrated limit switches

Inch	DN [mm]	PN	kv-value ( $\Delta p=1$ bar) [l/min]	EPDM Code	PTFE/EPDM Code
1/2	15	10	125	<b>163 517 812</b>	<b>163 517 832</b>
3/4	20	10	271	<b>163 517 813</b>	<b>163 517 833</b>
1	25	10	481	<b>163 517 814</b>	<b>163 517 834</b>
1 1/4	32	10	759	<b>163 517 815</b>	<b>163 517 835</b>
1 1/2	40	10	1263	<b>163 517 816</b>	<b>163 517 836</b>
2	50	10	1728	<b>163 517 817</b>	<b>163 517 837</b>

Inch	D [mm]	D2 [mm]	D3 [mm]	D4 [mm]	D5 [mm]	L [mm]	L2 [mm]	H [mm]	H1 [mm]	H2 [mm]	M	Lift = Hx [mm]
1/2	65	65	95	70	15	130	25	73	14	12	M6	7
3/4	80	65	100	75	15	150	25	81	18	12	M6	10
1	88	87	125	90	19	160	25	107	22	12	M6	13
1 1/4	101	87	135	100	19	180	45	115	26	15	M8	15
1 1/2	117	135	140	105	19	200	45	148	32	15	M8	19
2	144	135	155	120	19	230	45	166	39	15	M8	25

# Diaphragm valves new generation

## Diaphragm valve type 514 ABS With solvent cement sockets metric



### Model:

- Double flow rate compared to predecessor
- One housing nut replaces four screws
- Handwheel with built-in locking mechanism
- For easy installation and removal
- Short overall length

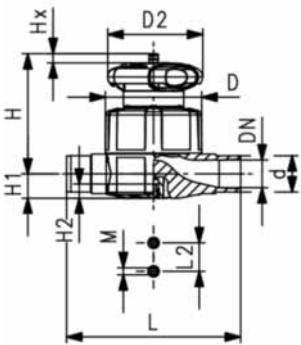
### Option:

- Individual configuration of the valve (see diagram)
- Self adjusting multifunctional module with integrated limit switches

d [mm]	DN [mm]	PN	kv-value ( $\Delta p=1$ bar) [l/min]	EPDM Code	PTFE/EPDM Code
20	15	10	125	<b>169 514 012</b>	<b>169 514 032</b>
25	20	10	271	<b>169 514 013</b>	<b>169 514 033</b>
32	25	10	481	<b>169 514 014</b>	<b>169 514 034</b>
40	32	10	759	<b>169 514 015</b>	<b>169 514 035</b>
50	40	10	1263	<b>169 514 016</b>	<b>169 514 036</b>
63	50	10	1728	<b>169 514 017</b>	<b>169 514 037</b>

d [mm]	D [mm]	D2 [mm]	D3 [mm]	L [mm]	L2 [mm]	H [mm]	H1 [mm]	H2 [mm]	M	z [mm]	Lift = Hx [mm]
20	65	65	43	128	25	73	14	12	M6	96	7
25	80	65	51	152	25	81	18	12	M6	114	10
32	88	87	58	166	25	107	22	12	M6	122	13
40	101	87	72	192	45	115	26	15	M8	140	15
50	117	135	83	222	45	148	32	15	M8	160	19
63	144	135	100	266	45	166	39	15	M8	190	25

## Diaphragm valve type 515 ABS With solvent cement spigots metric



### Model:

- Double flow rate compared to predecessor
- One housing nut replaces four screws
- Handwheel with built-in locking mechanism
- Overall length EN 558

### Option:

- Individual configuration of the valve (see diagram)
- Self adjusting multifunctional module with integrated limit switches

d [mm]	DN [mm]	PN	kv-value ( $\Delta p=1$ bar) [l/min]	EPDM Code	PTFE/EPDM Code
20	15	10	125	<b>169 515 012</b>	<b>169 515 032</b>
25	20	10	271	<b>169 515 013</b>	<b>169 515 033</b>
32	25	10	481	<b>169 515 014</b>	<b>169 515 034</b>
40	32	10	759	<b>169 515 015</b>	<b>169 515 035</b>
50	40	10	1263	<b>169 515 016</b>	<b>169 515 036</b>
63	50	10	1728	<b>169 515 017</b>	<b>169 515 037</b>

d [mm]	D [mm]	D2 [mm]	L [mm]	L2 [mm]	H [mm]	H1 [mm]	H2 [mm]	M	Lift = Hx [mm]
20	65	65	124	25	73	14	12	M6	7
25	80	65	144	25	81	18	12	M6	10
32	88	87	154	25	107	22	12	M6	13
40	101	87	174	45	115	26	15	M8	15
50	117	135	194	45	148	32	15	M8	19
63	144	135	224	45	166	39	15	M8	25



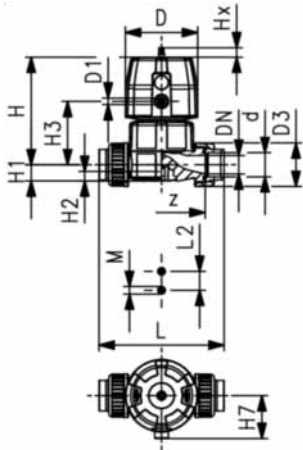
# Diaphragm valves pneumatic

## New generation

### Diaphragm valve DIASTAR Six ABS

**FC (Fail safe to close)**

**Unions with solvent cement sockets metric**



**Model:**

- Double flow rate compared to predecessor
- One housing nut replaces four screws
- Rotating air connection at 90° intervals
- For easy installation and removal
- Short overall length

**Option:**

- Individual configuration of the valve (see diagram)

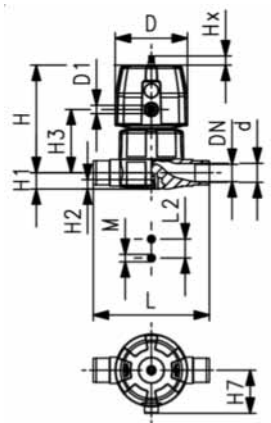
d [mm]	DN [mm]	PN	kv-value ( $\Delta p=1$ bar) [l/min]	EPDM Code
20	15	6	125	<b>169 614 012</b>
25	20	6	271	<b>169 614 013</b>
32	25	6	481	<b>169 614 014</b>
40	32	6	759	<b>169 614 015</b>
50	40	6	1263	<b>169 614 016</b>
63	50	6	1728	<b>169 614 017</b>

d [mm]	D [mm]	D1_G [inch]	L [mm]	L2 [mm]	H [mm]	H1 [mm]	H2 [mm]	H3 [mm]	H7 [mm]	M	z [mm]	Lift = Hx [mm]
20	68	1/8	128	25	101	14	12	60	43	M6	96	7
25	96	1/8	152	25	132	18	12	73	57	M6	114	10
32	96	1/8	166	25	143	22	12	84	57	M6	122	13
40	120	1/8	192	45	173	26	15	99	69	M8	140	14
50	120	1/8	222	45	193	32	15	119	69	M8	160	16
63	120	1/8	266	45	205	39	15	132	69	M8	190	16

### Diaphragm valve DIASTAR Six ABS

**FC (Fail safe to close)**

**With solvent cement spigots metric**



**Model:**

- Double flow rate compared to predecessor
- One housing nut replaces four screws
- Rotating air connection at 90° intervals
- Overall length EN 558

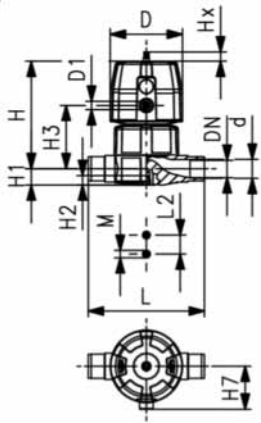
**Option:**

- Individual configuration of the valve (see diagram)

d [mm]	DN [mm]	PN	kv-value ( $\Delta p=1$ bar) [l/min]	EPDM Code
20	15	6	125	<b>169 615 012</b>
25	20	6	271	<b>169 615 013</b>
32	25	6	481	<b>169 615 014</b>
40	32	6	759	<b>169 615 015</b>
50	40	6	1263	<b>169 615 016</b>
63	50	6	1728	<b>169 615 017</b>

d [mm]	D [mm]	D1_G [inch]	L [mm]	L2 [mm]	H [mm]	H1 [mm]	H2 [mm]	H3 [mm]	H7 [mm]	M	Lift = Hx [mm]
20	68	1/8	124	25	101	14	12	60	43	M6	7
25	96	1/8	144	25	132	18	12	73	57	M6	10
32	96	1/8	154	25	143	22	12	84	57	M6	13

table continued next page



d [mm]	D [mm]	D1_G [inch]	L [mm]	L2 [mm]	H [mm]	H1 [mm]	H2 [mm]	H3 [mm]	H7 [mm]	M	Lift = Hx [mm]
40	120	1/8	174	45	173	26	15	99	69	M8	14
50	120	1/8	194	45	193	32	15	119	69	M8	16
63	120	1/8	224	45	205	39	15	132	69	M8	16



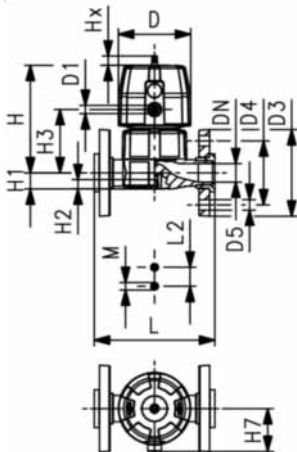
## Diaphragm valve DIASTAR Six ABS FC (Fail safe to close) With backing flanges PP-V metric/BS

### Model:

- Double flow rate compared to predecessor
- One housing nut replaces four screws
- Rotating air connection at 90° intervals
- Flat sealing faces
- Overall length EN 558
- Connecting dimension: ISO 7005 PN 10, EN 1092 PN 10, DIN 2501 PN 10, BS 4504 PN 10

### Option:

- Individual configuration of the valve (see diagram)



d [mm]	DN [mm]	PN	kv-value ( $\Delta p=1$ bar) [l/min]	EPDM Code
20	15	6	125	<b>169 617 112</b>
25	20	6	271	<b>169 617 113</b>
32	25	6	481	<b>169 617 114</b>
40	32	6	759	<b>169 617 115</b>
50	40	6	1263	<b>169 617 116</b>
63	50	6	1728	<b>169 617 117</b>

d [mm]	D [mm]	D1_G [inch]	D3 [mm]	D4 [mm]	D5 [mm]	L [mm]	L2 [mm]	H [mm]	H1 [mm]	H2 [mm]	H3 [mm]	H7 [mm]	M	Lift = Hx [mm]
20	68	1/8	95	65	14	130	25	101	14	12	60	43	M6	7
25	96	1/8	105	75	14	150	25	132	18	12	73	57	M6	10
32	96	1/8	115	85	14	160	25	143	22	12	84	57	M6	13
40	120	1/8	140	100	18	180	45	173	26	15	99	69	M8	14
50	120	1/8	150	110	18	200	45	193	32	15	119	69	M8	16
63	120	1/8	165	125	18	230	45	205	39	15	132	69	M8	16



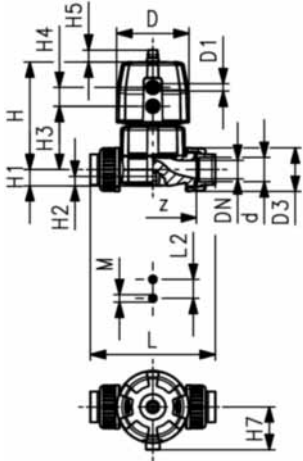
## Diaphragm valve DIASTAR Ten ABS FC (Fail safe to close) Unions with solvent cement sockets metric

### Model:

- Double flow rate compared to predecessor
- One housing nut replaces four screws
- Rotating air connection at 90° intervals
- For easy installation and removal
- Short overall length

### Option:

- Individual configuration of the valve (see diagram)
- Comprehensive range of accessories available



d [mm]	DN [mm]	PN [bar]	kv-value ( $\Delta p=1$ bar) [l/min]	EPDM Code
20	15	10	125	<b>169 624 012</b>
25	20	10	271	<b>169 624 013</b>
32	25	10	481	<b>169 624 014</b>
40	32	10	759	<b>169 624 015</b>
50	40	10	1263	<b>169 624 016</b>
63	50	10	1728	<b>169 624 017</b>

d [mm]	D [mm]	D1_G [inch]	L [mm]	L2 [mm]	H [mm]	H1 [mm]	H2 [mm]	H3 [mm]	H4 [mm]	H5 [mm]	H7 [mm]	M	z [mm]	Lift = Hx [mm]
20	68	1/8	128	25	101	14	12	60	24	16	43	M6	96	7
25	96	1/8	152	25	132	18	12	73	25	16	57	M6	114	10
32	96	1/8	166	25	143	22	12	84	25	16	57	M6	122	13
40	120	1/8	192	45	173	26	15	99	26	26	69	M8	140	15
50	150	1/4	222	45	214	32	15	119	36	26	88	M8	160	19
63	150	1/4	266	45	226	39	15	132	36	26	88	M8	190	23



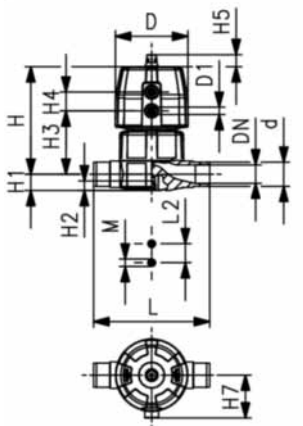
## Diaphragm valve DIASTAR Ten ABS FC (Fail safe to close) With solvent cement spigots metric

### Model:

- Double flow rate compared to predecessor
- One housing nut replaces four screws
- Rotating air connection at 90° intervals
- Overall length EN 558

### Option:

- Individual configuration of the valve (see diagram)
- Comprehensive range of accessories available



d [mm]	DN [mm]	PN [bar]	kv-value ( $\Delta p=1$ bar) [l/min]	EPDM Code
20	15	10	125	<b>169 625 012</b>
25	20	10	271	<b>169 625 013</b>
32	25	10	481	<b>169 625 014</b>
40	32	10	759	<b>169 625 015</b>
50	40	10	1263	<b>169 625 016</b>
63	50	10	1728	<b>169 625 017</b>

d [mm]	D [mm]	D1_G [inch]	L [mm]	L2 [mm]	H [mm]	H1 [mm]	H2 [mm]	H3 [mm]	H4 [mm]	H5 [mm]	H7 [mm]	M	Lift = Hx [mm]
20	68	1/8	124	25	101	14	12	60	24	16	43	M6	7
25	96	1/8	144	25	132	18	12	73	25	16	57	M6	10
32	96	1/8	154	25	143	22	12	84	25	16	57	M6	13
40	120	1/8	174	45	173	26	15	99	26	26	69	M8	15
50	150	1/4	194	45	214	32	15	119	36	26	88	M8	19
63	150	1/4	224	45	226	39	15	132	36	26	88	M8	23



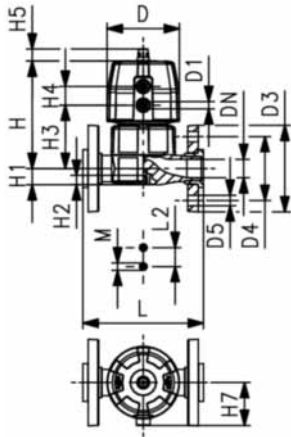
## Diaphragm valve DIASTAR Ten ABS FC (Fail safe to close) With backing flanges PP-V metric/BS

### Model:

- Double flow rate compared to predecessor
- One housing nut replaces four screws
- Rotating air connection at 90° intervals
- Flat sealing faces
- Overall length EN 558
- Connecting dimension: ISO 7005 PN 10, EN 1092 PN 10, DIN 2501 PN 10, BS 4504 PN 10

### Option:

- Individual configuration of the valve (see diagram)
- Comprehensive range of accessories available



d [mm]	DN [mm]	PN [bar]	kv-value ( $\Delta p=1$ bar) [l/min]	EPDM Code
20	15	10	125	<b>169 627 112</b>
25	20	10	271	<b>169 627 113</b>
32	25	10	481	<b>169 627 114</b>
40	32	10	759	<b>169 627 115</b>
50	40	10	1263	<b>169 627 116</b>
63	50	10	1728	<b>169 627 117</b>

d [mm]	D [mm]	D1_G [inch]	D3 [mm]	D4 [mm]	D5 [mm]	L [mm]	L2 [mm]	H [mm]	H1 [mm]	H2 [mm]	H3 [mm]	H4 [mm]	H5 [mm]	H7 [mm]	M
20	68	1/8	95	65	14	130	25	101	14	12	60	24	16	43	M6
25	96	1/8	105	75	14	150	25	132	18	12	73	25	16	57	M6
32	96	1/8	115	85	14	160	25	143	22	12	84	25	16	57	M6
40	120	1/8	140	100	18	180	45	173	26	15	99	26	26	69	M8
50	150	1/4	150	110	18	200	45	193	32	15	119	36	26	88	M8
63	150	1/4	165	125	18	230	45	205	39	15	132	36	26	88	M8

d [mm]	Lift = Hx [mm]
20	7
25	10
32	13
40	15
50	19
63	23



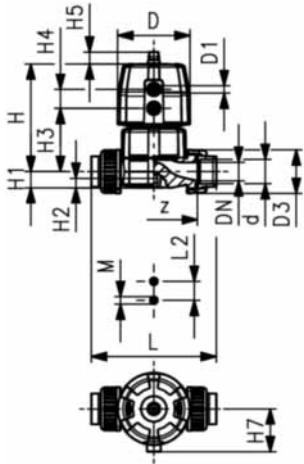
## Diaphragm valve DIASTAR Ten ABS FO (Fail safe to open) Unions with solvent cement sockets metric

### Model:

- Double flow rate compared to predecessor
- One housing nut replaces four screws
- Rotating air connection at 90° intervals
- For easy installation and removal
- Short overall length

### Option:

- Individual configuration of the valve (see diagram)
- Comprehensive range of accessories available



d [mm]	DN [mm]	PN [bar]	kv-value ( $\Delta p=1$ bar) [l/min]	EPDM Code
20	15	10	125	<b>169 644 012</b>
25	20	10	271	<b>169 644 013</b>
32	25	10	481	<b>169 644 014</b>
40	32	10	759	<b>169 644 015</b>
50	40	10	1263	<b>169 644 016</b>
63	50	10	1728	<b>169 644 017</b>

d [mm]	D [mm]	D1_G [inch]	L [mm]	L2 [mm]	H [mm]	H1 [mm]	H2 [mm]	H3 [mm]	H4 [mm]	H5 [mm]	H7 [mm]	M	z [mm]	Lift = Hx [mm]
20	68	1/8	128	25	101	14	12	60	24	16	43	M6	96	7
25	96	1/8	152	25	132	18	12	73	25	16	57	M6	114	10
32	96	1/8	166	25	143	22	12	84	25	16	57	M6	122	13
40	120	1/8	192	45	173	26	15	99	26	26	69	M8	140	15
50	150	1/4	222	45	214	32	15	119	36	26	88	M8	160	19
63	150	1/4	266	45	226	39	15	132	36	26	88	M8	190	23



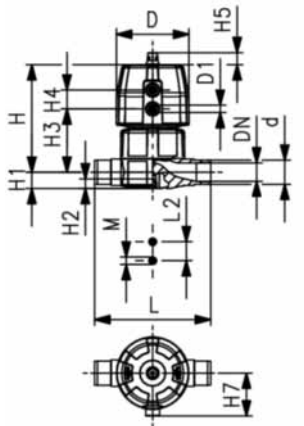
## Diaphragm valve DIASTAR Ten ABS FO (Fail safe to open) With solvent cement spigots metric

### Model:

- Double flow rate compared to predecessor
- One housing nut replaces four screws
- Rotating air connection at 90° intervals
- Overall length EN 558

### Option:

- Individual configuration of the valve (see diagram)
- Comprehensive range of accessories available



d [mm]	DN [mm]	PN [bar]	kv-value ( $\Delta p=1$ bar) [l/min]	EPDM Code
20	15	10	125	<b>169 645 012</b>
25	20	10	271	<b>169 645 013</b>
32	25	10	481	<b>169 645 014</b>
40	32	10	759	<b>169 645 015</b>
50	40	10	1263	<b>169 645 016</b>
63	50	10	1728	<b>169 645 017</b>

d [mm]	D [mm]	D1_G [inch]	L [mm]	L2 [mm]	H [mm]	H1 [mm]	H2 [mm]	H3 [mm]	H4 [mm]	H5 [mm]	H7 [mm]	M	Lift = Hx [mm]
20	68	1/8	124	25	101	14	12	60	24	16	43	M6	7
25	96	1/8	144	25	132	18	12	73	25	16	57	M6	10
32	96	1/8	154	25	143	22	12	84	25	16	57	M6	13
40	120	1/8	174	45	173	26	15	99	26	26	69	M8	15
50	150	1/4	194	45	214	32	15	119	36	26	88	M8	19
63	150	1/4	224	45	226	39	15	132	36	26	88	M8	23



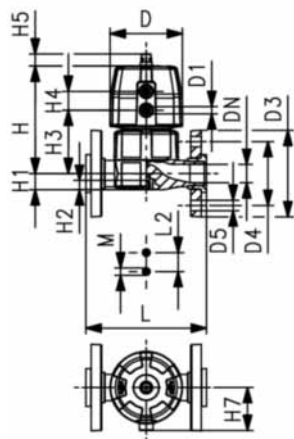
## Diaphragm valve DIASTAR Ten ABS FO (Fail safe to open) With backing flanges PP-V metric/BS

### Model:

- Double flow rate compared to predecessor
- One housing nut replaces four screws
- Rotating air connection at 90° intervals
- Flat sealing faces
- Overall length EN 558
- Connecting dimension: ISO 7005 PN 10, EN 1092 PN 10, DIN 2501 PN 10, BS 4504 PN 10

### Option:

- Individual configuration of the valve (see diagram)
- Comprehensive range of accessories available



d [mm]	DN [mm]	PN [bar]	kv-value ( $\Delta p=1$ bar) [l/min]	EPDM Code
20	15	10	125	<b>169 647 112</b>
25	20	10	271	<b>169 647 113</b>
32	25	10	481	<b>169 647 114</b>
40	32	10	759	<b>169 647 115</b>
50	40	10	1263	<b>169 647 116</b>
63	50	10	1728	<b>169 647 117</b>

d [mm]	D [mm]	D1_G [inch]	D3 [mm]	D4 [mm]	D5 [mm]	L [mm]	L2 [mm]	H [mm]	H1 [mm]	H2 [mm]	H3 [mm]	H4 [mm]	H5 [mm]	H7 [mm]	M
20	68	1/8	95	65	14	130	25	101	14	12	60	24	16	43	M6
25	96	1/8	105	75	14	150	25	132	18	12	73	25	16	57	M6
32	96	1/8	115	85	14	160	25	143	22	12	84	25	16	57	M6
40	120	1/8	140	100	18	180	45	173	26	15	99	26	26	69	M8
50	150	1/4	150	110	18	200	45	214	32	15	119	36	26	88	M8
63	150	1/4	165	125	18	230	45	226	39	15	132	36	26	88	M8

d [mm]	Lift = Hx [mm]
20	7
25	10
32	13
40	15
50	19
63	23





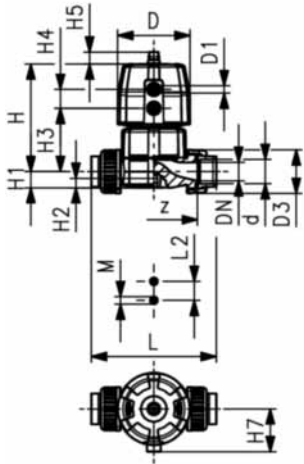
## Diaphragm valve DIASTAR Ten ABS DA (Double acting) Unions with solvent cement sockets metric

### Model:

- Double flow rate compared to predecessor
- One housing nut replaces four screws
- Rotating air connection at 90° intervals
- For easy installation and removal
- Short overall length

### Option:

- Individual configuration of the valve (see diagram)
- Comprehensive range of accessories available



d [mm]	DN [mm]	PN [bar]	kv-value ( $\Delta p=1$ bar) [l/min]	EPDM Code
20	15	10	125	<b>169 654 012</b>
25	20	10	271	<b>169 654 013</b>
32	25	10	481	<b>169 654 014</b>
40	32	10	759	<b>169 654 015</b>
50	40	10	1263	<b>169 654 016</b>
63	50	10	1728	<b>169 654 017</b>

d [mm]	D [mm]	D1_G [inch]	L [mm]	L2 [mm]	H [mm]	H1 [mm]	H2 [mm]	H3 [mm]	H4 [mm]	H5 [mm]	H7 [mm]	M	z [mm]	Lift = Hx [mm]
20	68	1/8	128	25	101	14	12	60	24	16	43	M6	96	7
25	96	1/8	152	25	132	18	12	73	25	16	57	M6	114	10
32	96	1/8	166	25	143	22	12	84	25	16	57	M6	122	13
40	120	1/8	192	45	173	26	15	99	26	26	69	M8	140	15
50	150	1/4	222	45	214	32	15	119	36	26	88	M8	160	19
63	150	1/4	266	45	226	39	15	132	36	26	88	M8	190	23



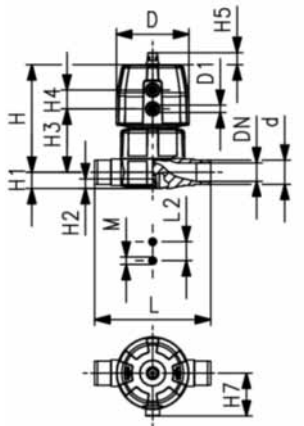
## Diaphragm valve DIASTAR Ten ABS DA (Double acting) With solvent cement spigots metric

### Model:

- Double flow rate compared to predecessor
- One housing nut replaces four screws
- Rotating air connection at 90° intervals
- Overall length EN 558

### Option:

- Individual configuration of the valve (see diagram)
- Comprehensive range of accessories available



d [mm]	DN [mm]	PN [bar]	kv-value ( $\Delta p=1$ bar) [l/min]	EPDM Code
20	15	10	125	<b>169 655 012</b>
25	20	10	271	<b>169 655 013</b>
32	25	10	481	<b>169 655 014</b>
40	32	10	759	<b>169 655 015</b>
50	40	10	1263	<b>169 655 016</b>
63	50	10	1728	<b>169 655 017</b>

d [mm]	D [mm]	D1_G [inch]	L [mm]	L2 [mm]	H [mm]	H1 [mm]	H2 [mm]	H3 [mm]	H4 [mm]	H5 [mm]	H7 [mm]	M	Lift = Hx [mm]
20	68	1/8	124	25	101	14	12	60	24	16	43	M6	7
25	96	1/8	144	25	132	18	12	73	25	16	57	M6	10
32	96	1/8	154	25	143	22	12	84	25	16	57	M6	13
40	120	1/8	174	45	173	26	15	99	26	26	69	M8	15
50	150	1/4	194	45	214	32	15	119	36	26	88	M8	19
63	150	1/4	224	45	226	39	15	132	36	26	88	M8	23





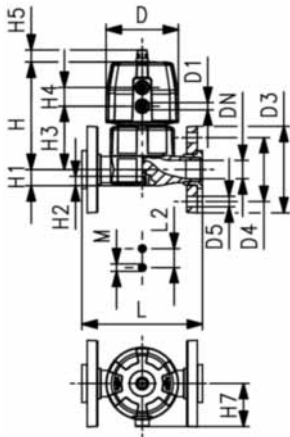
## Diaphragm valve DIASTAR Ten ABS DA (Double acting) With backing flanges PP-V metric/BS

### Model:

- Double flow rate compared to predecessor
- One housing nut replaces four screws
- Rotating air connection at 90° intervals
- Flat sealing faces
- Overall length EN 558
- Connecting dimension: ISO 7005 PN 10, EN 1092 PN 10, DIN 2501 PN 10, BS 4504 PN 10

### Option:

- Individual configuration of the valve (see diagram)
- Comprehensive range of accessories available



d [mm]	DN [mm]	PN [bar]	kv-value ( $\Delta p=1$ bar) [l/min]	EPDM Code
20	15	10	125	<b>169 657 112</b>
25	20	10	271	<b>169 657 113</b>
32	25	10	481	<b>169 657 114</b>
40	32	10	759	<b>169 657 115</b>
50	40	10	1263	<b>169 657 116</b>
63	50	10	1728	<b>169 657 117</b>

d [mm]	D [mm]	D1_G [inch]	D3 [mm]	D4 [mm]	D5 [mm]	L [mm]	L2 [mm]	H [mm]	H1 [mm]	H2 [mm]	H3 [mm]	H4 [mm]	H5 [mm]	H7 [mm]	M
20	68	1/8	95	65	14	130	25	101	14	12	60	24	16	43	M6
25	96	1/8	105	75	14	150	25	132	18	12	73	25	16	57	M6
32	96	1/8	115	85	14	160	25	143	22	12	84	25	16	57	M6
40	120	1/8	140	100	18	180	45	173	26	15	99	26	26	69	M8
50	150	1/4	150	110	18	200	45	214	32	15	119	36	26	88	M8
63	150	1/4	165	125	18	230	45	226	39	15	132	36	26	88	M8

d [mm]	Lift = Hx [mm]
20	7
25	10
32	13
40	15
50	19
63	23



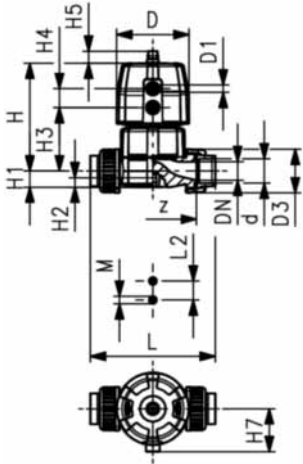
## Diaphragm valve DIASTAR Sixteen ABS FC (Fail safe to close) Unions with solvent cement sockets metric

### Model:

- Double flow rate compared to predecessor
- One housing nut replaces four screws
- Rotating air connection at 90° intervals
- For easy installation and removal
- Short overall length

### Option:

- Individual configuration of the valve (see diagram)
- Comprehensive range of accessories available



d [mm]	DN [mm]	PN [bar]	kv-value ( $\Delta p=1$ bar) [l/min]	EPDM Code
20	15	10	125	<b>169 634 012</b>
25	20	10	271	<b>169 634 013</b>
32	25	10	481	<b>169 634 014</b>
40	32	10	759	<b>169 634 015</b>
50	40	10	1263	<b>169 634 016</b>
63	50	10	1728	<b>169 634 017</b>

d [mm]	D [mm]	D1_G [inch]	L [mm]	L2 [mm]	H [mm]	H1 [mm]	H2 [mm]	H3 [mm]	H4 [mm]	H5 [mm]	H7 [mm]	M	z [mm]	Lift = Hx [mm]
20	96	1/8	128	25	127	14	12	68	25	16	57	M6	96	7
25	96	1/8	152	25	132	18	12	73	25	16	57	M6	114	10
32	120	1/8	166	25	167	22	12	93	26	26	69	M6	122	13
40	150	1/4	192	45	196	26	15	101	36	26	88	M8	140	15
50	180	1/4	222	45	239	32	15	124	37	26	103	M8	160	19
63	180	1/4	266	45	251	39	15	137	37	26	103	M8	190	23

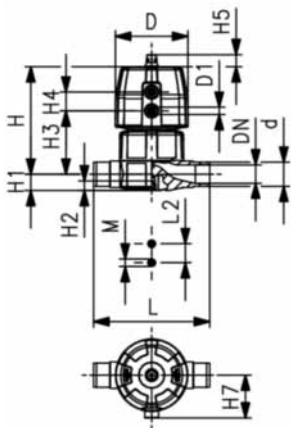
## Diaphragm valve DIASTAR Sixteen ABS FC (Fail safe to close) With solvent cement spigots metric

### Model:

- Double flow rate compared to predecessor
- One housing nut replaces four screws
- Rotating air connection at 90° intervals
- Overall length EN 558

### Option:

- Individual configuration of the valve (see diagram)
- Comprehensive range of accessories available



d [mm]	DN [mm]	PN [bar]	kv-value ( $\Delta p=1$ bar) [l/min]	EPDM Code
20	15	10	125	<b>169 635 012</b>
25	20	10	271	<b>169 635 013</b>
32	25	10	481	<b>169 635 014</b>
40	32	10	759	<b>169 635 015</b>
50	40	10	1263	<b>169 635 016</b>
63	50	10	1728	<b>169 635 017</b>

d [mm]	D [mm]	D1_G [inch]	L [mm]	L2 [mm]	H [mm]	H1 [mm]	H2 [mm]	H3 [mm]	H4 [mm]	H5 [mm]	H7 [mm]	M	Lift = Hx [mm]
20	96	1/8	124	25	127	14	12	68	25	16	57	M6	7
25	96	1/8	144	25	132	18	12	73	25	16	57	M6	10
32	120	1/8	154	25	167	22	12	93	26	26	69	M6	13
40	150	1/4	174	45	196	26	15	101	36	26	88	M8	15
50	180	1/4	194	45	239	32	15	124	37	26	103	M8	19
63	180	1/4	224	45	251	39	15	137	37	26	103	M8	23

# Diaphragm valve DIASTAR Sixteen ABS FC (Fail safe to close) With backing flanges PP-V metric/BS

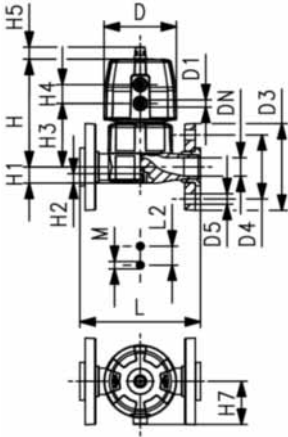


## Model:

- Double flow rate compared to predecessor
- One housing nut replaces four screws
- Rotating air connection at 90° intervals
- Flat sealing faces
- Overall length EN 558
- Connecting dimension: ISO 7005 PN 10, EN 1092 PN 10, DIN 2501 PN 10, BS 4504 PN 10

## Option:

- Individual configuration of the valve (see diagram)
- Comprehensive range of accessories available



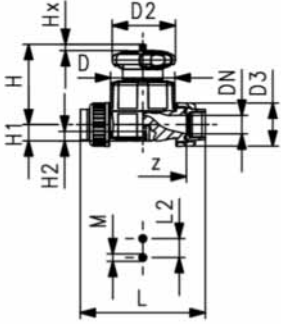
d [mm]	DN [mm]	PN [bar]	kv-value ( $\Delta p=1$ bar) [l/min]	EPDM Code
20	15	10	125	<b>169 637 112</b>
25	20	10	271	<b>169 637 113</b>
32	25	10	481	<b>169 637 114</b>
40	32	10	759	<b>169 637 115</b>
50	40	10	1263	<b>169 637 116</b>
63	50	10	1728	<b>169 637 117</b>

d [mm]	D [mm]	D1_G [inch]	D3 [mm]	D4 [mm]	D5 [mm]	L [mm]	L2 [mm]	H [mm]	H1 [mm]	H2 [mm]	H3 [mm]	H4 [mm]	H5 [mm]	H7 [mm]	M
20	96	1/8	95	65	14	130	25	127	14	12	68	25	16	57	M6
25	96	1/8	105	75	14	150	25	132	18	12	73	25	16	57	M6
32	120	1/8	115	85	14	160	25	167	22	12	93	26	26	69	M6
40	150	1/4	140	100	18	180	45	196	26	15	101	36	26	88	M8
50	180	1/4	150	110	18	200	45	239	32	15	124	37	26	103	M8
63	180	1/4	165	125	18	230	45	251	39	15	137	37	26	103	M8

d [mm]	Lift = Hx [mm]
20	7
25	10
32	13
40	15
50	19
63	23

# Diaphragm valves new generation

## Diaphragm valve type 514 ABS With solvent cement sockets BS



### Model:

- Double flow rate compared to predecessor
- One housing nut replaces four screws
- Handwheel with built-in locking mechanism
- For easy installation and removal
- Short overall length

### Option:

- Individual configuration of the valve (see diagram)
- Self adjusting multifunctional module with integrated limit switches

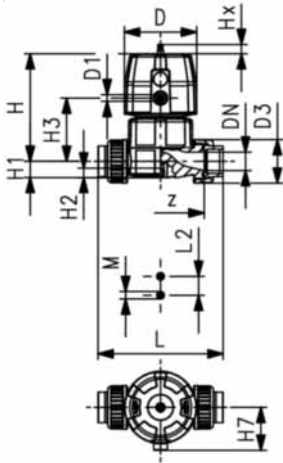
Inch	DN [mm]	PN	kv-value ( $\Delta p=1$ bar) [l/min]	EPDM Code	PTFE/EPDM Code
1/2	15	10	125	<b>169 514 512</b>	<b>169 514 532</b>
3/4	20	10	271	<b>169 514 513</b>	<b>169 514 533</b>
1	25	10	481	<b>169 514 514</b>	<b>169 514 534</b>
1 1/4	32	10	759	<b>169 514 515</b>	<b>169 514 535</b>
1 1/2	40	10	1263	<b>169 514 516</b>	<b>169 514 536</b>
2	50	10	1728	<b>169 514 517</b>	<b>169 514 537</b>

Inch	D [mm]	D2 [mm]	D3 [mm]	L [mm]	L2 [mm]	H [mm]	H1 [mm]	H2 [mm]	M	z [mm]	Lift = Hx [mm]
1/2	65	65	43	128	25	73	14	12	M6	96	7
3/4	80	65	51	152	25	81	18	12	M6	114	10
1	88	87	58	166	25	107	22	12	M6	122	13
1 1/4	101	87	72	192	45	115	26	15	M8	140	15
1 1/2	117	135	83	222	45	148	32	15	M8	160	19
2	144	135	100	266	45	166	39	15	M8	190	25

# Diaphragm valves pneumatic

## New generation

### Diaphragm valve DIASTAR Six ABS FC (Fail safe to close) Unions with solvent cement sockets BS



**Model:**

- Double flow rate compared to predecessor
- One housing nut replaces four screws
- Rotating air connection at 90° intervals
- For easy installation and removal
- Short overall length

**Option:**

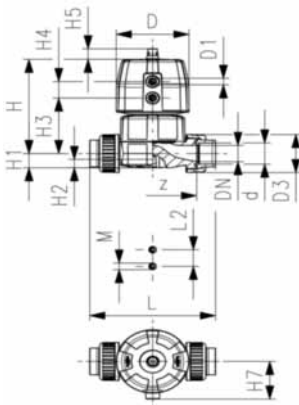
- Individual configuration of the valve (see diagram)

Inch	DN [mm]	PN	kv-value ( $\Delta p=1$ bar) [l/min]	EPDM Code
1/2	15	6	125	<b>169 614 512</b>
3/4	20	6	271	<b>169 614 513</b>
1	25	6	481	<b>169 614 514</b>
1 1/4	32	6	759	<b>169 614 515</b>
1 1/2	40	6	1263	<b>169 614 516</b>
2	50	6	1728	<b>169 614 517</b>

Inch	D [mm]	D1_G [inch]	L [mm]	L2 [mm]	H [mm]	H1 [mm]	H2 [mm]	H3 [mm]	H7 [mm]	M	z [mm]	Lift = Hx [mm]
1/2	68	1/8	128	25	101	14	12	60	43	M6	96	7
3/4	96	1/8	152	25	132	18	12	73	57	M6	114	10
1	96	1/8	166	25	143	22	12	84	57	M6	122	13
1 1/4	120	1/8	192	45	173	26	15	99	69	M8	140	14
1 1/2	120	1/8	222	45	193	32	15	119	69	M8	160	16
2	120	1/8	266	45	205	39	15	132	69	M8	190	16

### Diaphragm valve DIASTAR Ten ABS FC (Fail safe to close) Unions with solvent cement sockets BS



**Model:**

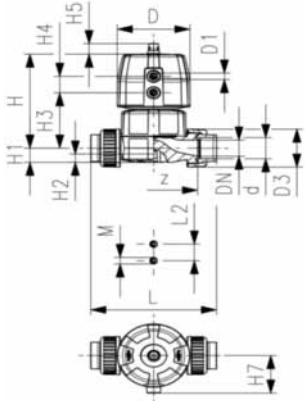
- Double flow rate compared to predecessor
- One housing nut replaces four screws
- Rotating air connection at 90° intervals
- For easy installation and removal
- Short overall length

**Option:**

- Individual configuration of the valve (see diagram)
- Comprehensive range of accessories available

Inch	DN [mm]	PN [bar]	kv-value ( $\Delta p=1$ bar) [l/min]	EPDM Code
1/2	15	10	125	<b>169 624 512</b>
3/4	20	10	271	<b>169 624 513</b>
1	25	10	481	<b>169 624 514</b>
1 1/4	32	10	759	<b>169 624 515</b>
1 1/2	40	10	1263	<b>169 624 516</b>
2	50	10	1728	<b>169 624 517</b>

table continued next page



Inch	D [mm]	D1_G [inch]	L [mm]	L2 [mm]	H [mm]	H1 [mm]	H2 [mm]	H3 [mm]	H4 [mm]	H5 [mm]	H7 [mm]	M	z [mm]	Lift = Hx [mm]
½	68	¼	128	25	101	14	12	60	24	16	43	M6	96	7
¾	96	⅜	152	25	132	18	12	73	25	16	57	M6	114	10
1	96	⅜	166	25	143	22	12	84	25	16	57	M6	122	13
1 ¼	120	½	192	45	173	26	15	99	26	26	69	M8	140	15
1 ½	150	¾	222	45	214	32	15	119	36	26	88	M8	160	19
2	150	¾	266	45	226	39	15	132	36	26	88	M8	190	23



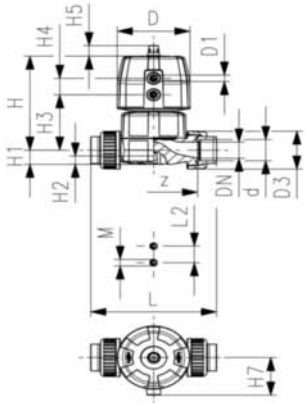
## Diaphragm valve DIASTAR Ten ABS FO (Fail safe to open) Unions with solvent cement sockets BS

### Model:

- Double flow rate compared to predecessor
- One housing nut replaces four screws
- Rotating air connection at 90° intervals
- For easy installation and removal
- Short overall length

### Option:

- Individual configuration of the valve (see diagram)
- Comprehensive range of accessories available



Inch	DN [mm]	PN [bar]	kv-value (Δp=1 bar) [l/min]	EPDM Code
½	15	10	125	<b>169 644 512</b>
¾	20	10	271	<b>169 644 513</b>
1	25	10	481	<b>169 644 514</b>
1 ¼	32	10	759	<b>169 644 515</b>
1 ½	40	10	1263	<b>169 644 516</b>
2	50	10	1728	<b>169 644 517</b>

Inch	D [mm]	D1_G [inch]	L [mm]	L2 [mm]	H [mm]	H1 [mm]	H2 [mm]	H3 [mm]	H4 [mm]	H5 [mm]	H7 [mm]	M	z [mm]	Lift = Hx [mm]
½	68	¼	128	25	101	14	12	60	24	16	43	M6	96	7
¾	96	⅜	152	25	132	18	12	73	25	16	57	M6	114	10
1	96	⅜	166	25	143	22	12	84	25	16	57	M6	122	13
1 ¼	120	½	192	45	173	26	15	99	26	26	69	M8	140	15
1 ½	150	¾	222	45	214	32	15	119	36	26	88	M8	160	19
2	150	¾	266	45	226	39	15	132	36	26	88	M8	190	23



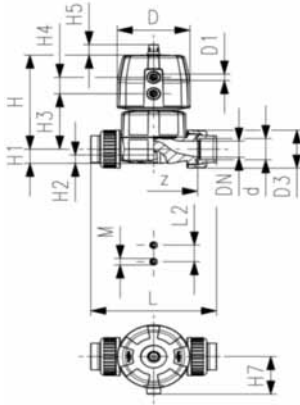
## Diaphragm valve DIASTAR Ten ABS DA (Double acting) Unions with solvent cement sockets BS

### Model:

- Double flow rate compared to predecessor
- One housing nut replaces four screws
- Rotating air connection at 90° intervals
- For easy installation and removal
- Short overall length

### Option:

- Individual configuration of the valve (see diagram)
- Comprehensive range of accessories available



Inch	DN [mm]	PN [bar]	kv-value ( $\Delta p=1$ bar) [l/min]	EPDM Code
1/2	15	10	125	<b>169 654 512</b>
3/4	20	10	271	<b>169 654 513</b>
1	25	10	481	<b>169 654 514</b>
1 1/4	32	10	759	<b>169 654 515</b>
1 1/2	40	10	1263	<b>169 654 516</b>
2	50	10	1728	<b>169 654 517</b>

Inch	D [mm]	D1_G [inch]	L [mm]	L2 [mm]	H [mm]	H1 [mm]	H2 [mm]	H3 [mm]	H4 [mm]	H5 [mm]	H7 [mm]	M	z [mm]	Lift = Hx [mm]
1/2	68	1/8	128	25	101	14	12	60	24	16	43	M6	96	7
3/4	96	1/8	152	25	132	18	12	73	25	16	57	M6	114	10
1	96	1/8	166	25	143	22	12	84	25	16	57	M6	122	13
1 1/4	120	1/8	192	45	173	26	15	99	26	26	69	M8	140	15
1 1/2	150	1/4	222	45	214	32	15	119	36	26	88	M8	160	19
2	150	1/4	266	45	226	39	15	132	36	26	88	M8	190	23



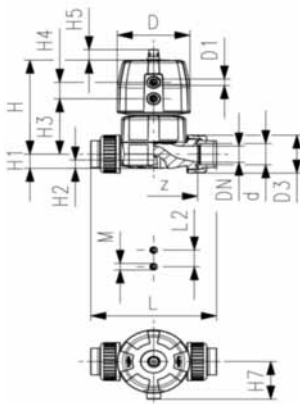
## Diaphragm valve DIASTAR Sixteen ABS FC (Fail safe to close) Unions with solvent cement sockets BS

### Model:

- Double flow rate compared to predecessor
- One housing nut replaces four screws
- Rotating air connection at 90° intervals
- For easy installation and removal
- Short overall length

### Option:

- Individual configuration of the valve (see diagram)
- Comprehensive range of accessories available



Inch	DN [mm]	PN [bar]	kv-value ( $\Delta p=1$ bar) [l/min]	EPDM Code
1/2	15	10	125	<b>169 634 512</b>
3/4	20	10	271	<b>169 634 513</b>
1	25	10	481	<b>169 634 514</b>
1 1/4	32	10	759	<b>169 634 515</b>
1 1/2	40	10	1263	<b>169 634 516</b>
2	50	10	1728	<b>169 634 517</b>

Inch	D [mm]	D1_G [inch]	L [mm]	L2 [mm]	H [mm]	H1 [mm]	H2 [mm]	H3 [mm]	H4 [mm]	H5 [mm]	H7 [mm]	M	z [mm]	Lift = Hx [mm]
1/2	96	1/8	128	25	127	14	12	68	25	16	57	M6	96	7
3/4	96	1/8	152	25	132	18	12	73	25	16	57	M6	114	10
1	120	1/8	166	25	167	22	12	93	26	26	69	M6	122	13
1 1/4	150	1/4	192	45	196	26	15	101	36	26	88	M8	140	15
1 1/2	180	1/4	222	45	239	32	15	124	37	26	103	M8	160	19
2	180	1/4	266	45	251	39	15	137	37	26	103	M8	190	23



# Copiable Configurator +GF+ Diaphragm Valve

## Valve body type

- A20 Type 514 - True Union Design
- A21 Type 515 - Spigots
- A22 Type 517 - Flanges
- A23 Type 519 - Branched type

## Material

- B05 PP-H
- B06 PP-n
- B15 PVDF
- B16 PVDF HP

## Dimension - 2/2 valve (type 514...517)

- C06 DN 15 1/2"
- C07 DN 20 3/4"
- C08 DN 25 1"
- C09 DN 32 1 1/4"
- C10 DN 40 1 1/2"
- C11 DN 50 2"

## Dimension - branched type (type 519)

- C50 DN15-15
- C51 DN20-15
- C52 DN20-20
- C53 DN25-15
- C54 DN25-20
- C55 DN25-25
- C56 DN32-15
- C57 DN32-20
- C58 DN32-25
- C59 DN32-32
- C60 DN40-15
- C61 DN40-20
- C62 DN40-25
- C63 DN40-32
- C64 DN40-40
- C65 DN50-15
- C66 DN50-20
- C67 DN50-25
- C68 DN50-32
- C69 DN50-40
- C70 DN50-50
- C71 DN65-32
- C72 DN65-40
- C73 DN65-50
- C74 DN80-15
- C75 DN80-20
- C76 DN80-25
- C77 DN80-40
- C78 DN80-50
- C79 DN100-15
- C80 DN100-20
- C81 DN100-25
- C82 DN100-40
- C83 DN100-50

## Version

- D11 standard
- D05 silicone free / oil free

## Diaphragm

- E01 EPDM
- E02 FPM
- E11 NBR
- E12 PTFE/EPDM
- E04 PTFE/FPM



## Example:

Diastar Sixteen FC with PP-H valve body type 514 and PE butt fusion spigots, FPM diaphragm, DN25

## Connecting parts

- H30 PP-H Fusion socket metric
- H32 PP-H Socket fusion spigot metric
- H35 PP-H Butt fusion spigot SDR11 metric IR-PLUS
- H40 PE-80 Fusion socket metric
- H41 PE-100 Butt fusion spigot SDR11 metric
- H43 PE-100 Butt fusion spigot long SDR11 metric
- H46 PP-n Butt fusion spigot SDR11 metric
- H50 PVDF Fusion socket metric
- H51 PVDF Socket fusion spigot metric
- H52 PVDF Butt fusion spigot SDR11 metric IR-PLUS
- H64 Fixed flange PVDF metric
- H65 Fixed flange PP-H JIS
- H66 Fixed flange PVDF JIS
- H72 PPH Backing flange PP-steel metric with PP-H endings
- H72 PVDF Backing flange PP-steel metric with PVDF endings
- H73 PPH Backing flange PP-steel Zoll ANSI with PP-H endings
- H73 PVDF Backing flange PP-steel Zoll ANSI with PVDF endings
- H74 PPH Backing flange PP-V metric with PP-H endings
- H74 PVDF Backing flange PP-V metric with PVDF endings
- H75 PPH Backing flange PP-V ANSI with PP-H endings
- H75 PVDF Backing flange PP-V ANSI with PVDF endings
- H76 Backing flange PP-GF JIS with PVDF endings
- H77 Backing flange PP-GF JIS with PP-H endings
- H85 PVDF valve end blank
- H86 PVDF-HP sterilisation port

## Electrical feedback

- I33 Electrical feedback with Ag, Ni limit switches
- I34 Electrical feedback with Au limit switches

## Manual actuated: pressure tight housing

- K30 Bonnet pressure tight
- K31 Bonnet not pressure tight

## Pressure range

- M01 PN10
- M02 PN16

## Pneumatic actuator DIASTAR

- P40 DIASTAR Six FC fail safe to close
- P43 DIASTAR Ten FC fail safe to close
- P44 DIASTAR Sixteen FC fail safe to close
- P45 DIASTAR Sixteen FO fail safe to open
- P46 DIASTAR Sixteen DA double acting
- P47 DIASTAR Ten FO fail safe to open
- P48 DIASTAR Ten DA double acting

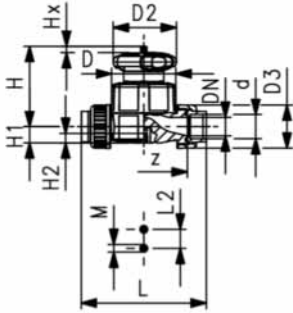
**A20 B05 C08 D11 E02**

**H43 I K M P44 =**



# Diaphragm valves new generation

## PROGEF Standard Diaphragm valve type 514 With fusion sockets metric



### Model:

- Material: PP-H
- Double flow rate compared to predecessor
- One housing nut replaces four screws
- Handwheel with built-in locking mechanism
- For easy installation and removal
- Short overall length

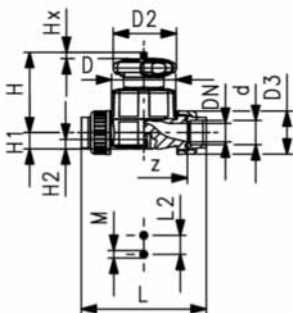
### Option:

- Individual configuration of the valve (see diagram)
- Self adjusting multifunctional module with integrated limit switches

d [mm]	DN [mm]	PN	kv-value ( $\Delta p=1$ bar) [l/min]	NBR Code	EPDM Code	PTFE/EPDM Code	FPM Code
20	15	10	125	167 514 002	167 514 012	167 514 032	167 514 062
25	20	10	271	167 514 003	167 514 013	167 514 033	167 514 063
32	25	10	481	167 514 004	167 514 014	167 514 034	167 514 064
40	32	10	759	167 514 005	167 514 015	167 514 035	167 514 065
50	40	10	1263	167 514 006	167 514 016	167 514 036	167 514 066
63	50	10	1728	167 514 007	167 514 017	167 514 037	167 514 067

d [mm]	D [mm]	D2 [mm]	D3 [mm]	L [mm]	L2 [mm]	H [mm]	H1 [mm]	H2 [mm]	M	z [mm]	Lift = Hx [mm]
20	65	65	48	128	25	73	14	12	M6	100	7
25	80	65	58	150	25	81	18	12	M6	118	10
32	88	87	65	162	25	107	22	12	M6	126	13
40	101	87	79	184	45	115	26	15	M8	144	15
50	117	135	91	210	45	148	32	15	M8	164	19
63	144	135	111	248	45	166	39	15	M8	194	25

## PROGEF Standard Diaphragm valve type 514 With fusion sockets PE80 metric



### Model:

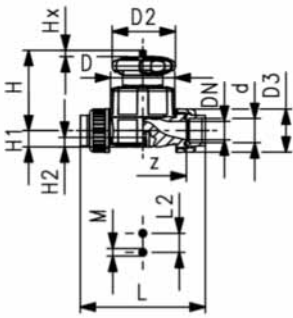
- Material: PP-H
- Double flow rate compared to predecessor
- One housing nut replaces four screws
- Handwheel with built-in locking mechanism
- For easy installation and removal
- Short overall length

### Option:

- Individual configuration of the valve (see diagram)
- Self adjusting multifunctional module with integrated limit switches

d [mm]	DN [mm]	PN	kv-value ( $\Delta p=1$ bar) [l/min]	EPDM Code	PTFE/EPDM Code
20	15	10	125	167 514 212	167 514 232
25	20	10	271	167 514 213	167 514 233
32	25	10	481	167 514 214	167 514 234
40	32	10	759	167 514 215	167 514 235
50	40	10	1263	167 514 216	167 514 236
63	50	10	1728	167 514 217	167 514 237

table continued next page



d [mm]	D [mm]	D2 [mm]	D3 [mm]	L [mm]	L2 [mm]	H [mm]	H1 [mm]	H2 [mm]	M	z [mm]	Lift = Hx [mm]
20	65	65	48	128	25	73	14	12	M6	100	7
25	80	65	58	150	25	81	18	12	M6	118	10
32	88	87	65	162	25	107	22	12	M6	126	13
40	101	87	79	184	45	115	26	15	M8	144	15
50	117	135	91	210	45	148	32	15	M8	164	19
63	144	135	111	248	45	166	39	15	M8	194	25



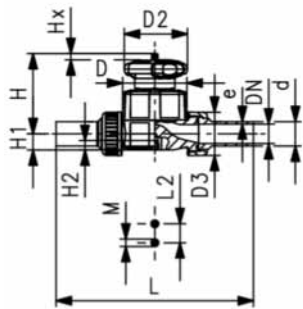
## PROGEF Standard Diaphragm valve type 514 With butt fusion spigots SDR11 metric

### Model:

- Material: PP-H
- Double flow rate compared to predecessor
- One housing nut replaces four screws
- Handwheel with built-in locking mechanism
- For easy installation and removal
- Short overall length

### Option:

- Individual configuration of the valve (see diagram)
- Self adjusting multifunctional module with integrated limit switches



d [mm]	DN [mm]	PN	kv-value ( $\Delta p=1$ bar) [l/min]	NBR Code	EPDM Code	PTFE/EPDM Code	FPM Code
20	15	10	125	<b>167 514 102</b>	<b>167 514 112</b>	<b>167 514 132</b>	<b>167 514 162</b>
25	20	10	271	<b>167 514 103</b>	<b>167 514 113</b>	<b>167 514 133</b>	<b>167 514 163</b>
32	25	10	481	<b>167 514 104</b>	<b>167 514 114</b>	<b>167 514 134</b>	<b>167 514 164</b>
40	32	10	759	<b>167 514 105</b>	<b>167 514 115</b>	<b>167 514 135</b>	<b>167 514 165</b>
50	40	10	1263	<b>167 514 106</b>	<b>167 514 116</b>	<b>167 514 136</b>	<b>167 514 166</b>
63	50	10	1728	<b>167 514 107</b>	<b>167 514 117</b>	<b>167 514 137</b>	<b>167 514 167</b>

d [mm]	D [mm]	D2 [mm]	D3 [mm]	L [mm]	L2 [mm]	H [mm]	H1 [mm]	H2 [mm]	M	Lift = Hx [mm]	e [mm]
20	65	65	48	224	25	73	14	12	M6	7	1.9
25	80	65	58	250	25	81	18	12	M6	10	2.3
32	88	87	65	262	25	107	22	12	M6	13	2.9
40	101	87	79	296	45	115	26	15	M8	15	3.7
50	117	135	91	328	45	148	32	15	M8	19	4.6
63	144	135	111	370	45	166	39	15	M8	25	5.8



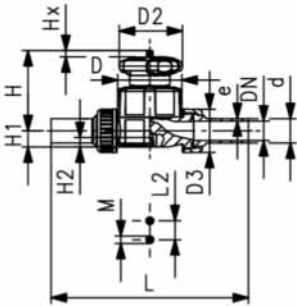
## PROGEF Standard Diaphragm valve type 514 With butt and electro fusion ends PE100 SDR11 metric

### Model:

- Material: PP-H
- Double flow rate compared to predecessor
- One housing nut replaces four screws
- Handwheel with built-in locking mechanism
- For easy installation and removal
- Short overall length

### Option:

- Individual configuration of the valve (see diagram)
- Self adjusting multifunctional module with integrated limit switches



d [mm]	DN [mm]	PN	kv-value ( $\Delta p=1$ bar) [l/min]	EPDM Code	PTFE/EPDM Code
20	15	10	125	<b>167 514 312</b>	<b>167 514 332</b>
25	20	10	271	<b>167 514 313</b>	<b>167 514 333</b>
32	25	10	481	<b>167 514 314</b>	<b>167 514 334</b>
40	32	10	759	<b>167 514 315</b>	<b>167 514 335</b>
50	40	10	1263	<b>167 514 316</b>	<b>167 514 336</b>
63	50	10	1728	<b>167 514 317</b>	<b>167 514 337</b>

d [mm]	D [mm]	D2 [mm]	D3 [mm]	L [mm]	L2 [mm]	H [mm]	H1 [mm]	H2 [mm]	M	Lift = Hx [mm]	e [mm]
20	65	65	48	196	25	73	14	12	M6	7	1,9
25	80	65	58	221	25	81	18	12	M6	10	2,3
32	88	87	65	234	25	107	22	12	M6	13	2,9
40	101	87	79	260	45	115	26	15	M8	15	3,7
50	117	135	91	284	45	148	32	15	M8	19	4,6
63	144	135	111	321	45	166	39	15	M8	25	5,8



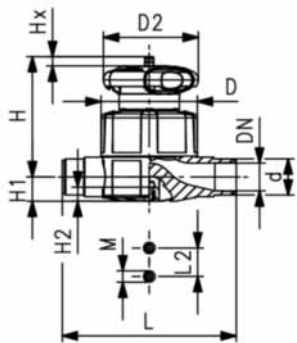
## PROGEF Standard Diaphragm valve type 515 With socket fusion spigots metric

### Model:

- Material: PP-H
- Double flow rate compared to predecessor
- One housing nut replaces four screws
- Handwheel with built-in locking mechanism
- Overall length EN 558

### Option:

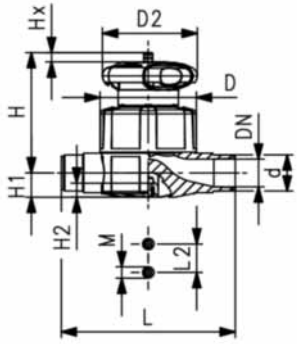
- Individual configuration of the valve (see diagram)
- Self adjusting multifunctional module with integrated limit switches



d [mm]	DN [mm]	PN	kv-value ( $\Delta p=1$ bar) [l/min]	NBR Code	EPDM Code	PTFE/EPDM Code	FPM Code
20	15	10	125	<b>167 515 002</b>	<b>167 515 012</b>	<b>167 515 032</b>	<b>167 515 062</b>
25	20	10	271	<b>167 515 003</b>	<b>167 515 013</b>	<b>167 515 033</b>	<b>167 515 063</b>
32	25	10	481	<b>167 515 004</b>	<b>167 515 014</b>	<b>167 515 034</b>	<b>167 515 064</b>
40	32	10	759	<b>167 515 005</b>	<b>167 515 015</b>	<b>167 515 035</b>	<b>167 515 065</b>
50	40	10	1263	<b>167 515 006</b>	<b>167 515 016</b>	<b>167 515 036</b>	<b>167 515 066</b>
63	50	10	1728	<b>167 515 007</b>	<b>167 515 017</b>	<b>167 515 037</b>	<b>167 515 067</b>

d [mm]	D [mm]	D2 [mm]	L [mm]	L2 [mm]	H [mm]	H1 [mm]	H2 [mm]	M	Lift = Hx [mm]	e [mm]
20	65	65	124	25	73	14	12	M6	7	1.9
25	80	65	144	25	81	18	12	M6	10	2.3
32	88	87	154	25	107	22	12	M6	13	2.9

table continued next page



d [mm]	D [mm]	D2 [mm]	L [mm]	L2 [mm]	H [mm]	H1 [mm]	H2 [mm]	M	Lift = Hx [mm]	e [mm]
40	101	87	174	45	115	26	15	M8	15	3.7
50	117	135	194	45	148	32	15	M8	19	4.6
63	144	135	223	45	166	39	15	M8	25	5.8



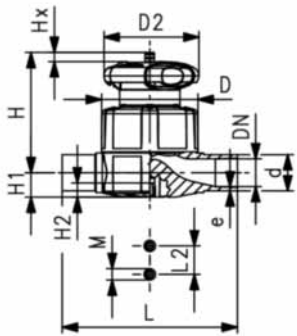
## PROGEF Standard Diaphragm valve type 515 With butt fusion spigots SDR11 metric

### Model:

- Material: PP-H
- Double flow rate compared to predecessor
- One housing nut replaces four screws
- Handwheel with built-in locking mechanism
- Overall length EN 558

### Option:

- Individual configuration of the valve (see diagram)
- Self adjusting multifunctional module with integrated limit switches



d [mm]	DN [mm]	PN	kv-value ( $\Delta p=1$ bar) [l/min]	NBR Code	EPDM Code	PTFE/EPDM Code	FPM Code
20	15	10	125	<b>167 515 102</b>	<b>167 515 112</b>	<b>167 515 132</b>	<b>167 515 162</b>
25	20	10	271	<b>167 515 103</b>	<b>167 515 113</b>	<b>167 515 133</b>	<b>167 515 163</b>
32	25	10	481	<b>167 515 104</b>	<b>167 515 114</b>	<b>167 515 134</b>	<b>167 515 164</b>
40	32	10	759	<b>167 515 105</b>	<b>167 515 115</b>	<b>167 515 135</b>	<b>167 515 165</b>
50	40	10	1263	<b>167 515 106</b>	<b>167 515 116</b>	<b>167 515 136</b>	<b>167 515 166</b>
63	50	10	1728	<b>167 515 107</b>	<b>167 515 117</b>	<b>167 515 137</b>	<b>167 515 167</b>

d [mm]	D [mm]	D2 [mm]	L [mm]	L2 [mm]	H [mm]	H1 [mm]	H2 [mm]	M	Lift = Hx [mm]	e [mm]
20	65	65	124	25	73	14	12	M6	7	1.9
25	80	65	144	25	81	18	12	M6	10	2.3
32	88	87	155	25	107	22	12	M6	13	2.9
40	101	87	176	45	115	26	15	M8	15	3.7
50	117	135	193	45	148	32	15	M8	19	4.6
63	144	135	223	45	166	39	15	M8	25	5.8



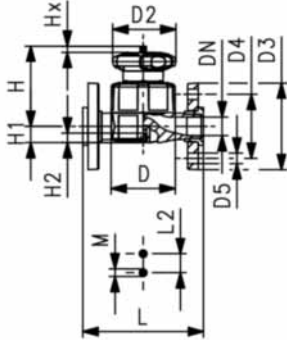
## PROGEF Standard Diaphragm valve type 517 With backing flanges PP-V metric/BS

### Model:

- Material: PP-H
- Double flow rate compared to predecessor
- One housing nut replaces four screws
- Handwheel with built-in locking mechanism
- Overall length EN 558
- Connecting dimension: ISO 7005 PN 10, EN 1092 PN 10, DIN 2501 PN 10, BS 4504 PN 10
- Flat sealing faces/serrated

### Option:

- Individual configuration of the valve (see diagram)
- Self adjusting multifunctional module with integrated limit switches



d [mm]	DN [mm]	PN	kv-value (Δp=1 bar) [l/min]	NBR Code	EPDM Code	PTFE/EPDM Code	FPM Code
20	15	10	125	167 517 102	167 517 112	167 517 132	167 517 162
25	20	10	271	167 517 103	167 517 113	167 517 133	167 517 163
32	25	10	481	167 517 104	167 517 114	167 517 134	167 517 164
40	32	10	759	167 517 105	167 517 115	167 517 135	167 517 165
50	40	10	1263	167 517 106	167 517 116	167 517 136	167 517 166
63	50	10	1728	167 517 107	167 517 117	167 517 137	167 517 167

d [mm]	D [mm]	D2 [mm]	D3 [mm]	D4 [mm]	D5 [mm]	L [mm]	L2 [mm]	H [mm]	H1 [mm]	H2 [mm]	M	Lift = Hx [mm]
20	65	65	95	65	14	130	25	73	14	12	M6	7
25	80	65	105	75	14	150	25	81	18	12	M6	10
32	88	87	115	85	14	160	25	107	22	12	M6	13
40	101	87	140	100	18	180	45	115	26	15	M8	15
50	117	135	150	110	18	200	45	148	32	15	M8	19
63	144	135	165	125	18	230	45	166	39	15	M8	25



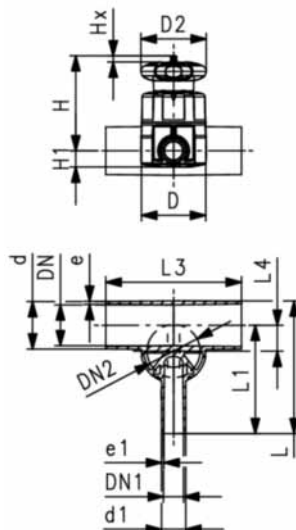
## PROGEF Standard Diaphragm valve type 519 With butt fusion spigots metric

### Model:

- Material: PP-H
- Double flow rate compared to predecessor
- One housing nut replaces four screws
- Handwheel with built-in locking mechanism
- Smallest possible dead space

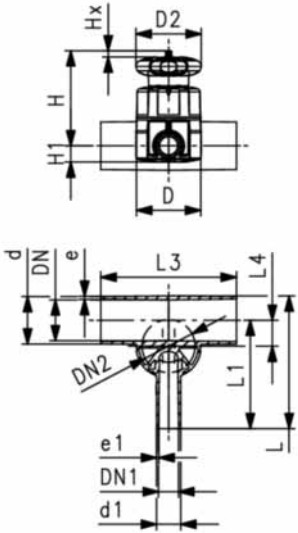
### Option:

- Individual configuration of the valve (see diagram)
- Self adjusting multifunctional module with integrated limit switches



d [mm]	d1 [mm]	DN [mm]	DN1 [mm]	DN2 [mm]	PN	kv-value (Δp=1 bar) [l/min]	EPDM Code	PTFE/EPDM Code
20	20	15	15	15	10	57	167 519 101	167 519 301
25	20	20	15	20	10	89	167 519 103	167 519 303
25	25	20	20	20	10	118	167 519 104	167 519 304
32	20	25	15	20	10	80	167 519 107	167 519 307
32	25	25	20	20	10	105	167 519 108	167 519 308
32	32	25	25	25	10	231	167 519 109	167 519 309
40	20	32	15	25	10	85	167 519 112	167 519 312
50	20	40	15	20	10	86	167 519 118	167 519 318
50	25	40	20	25	10	160	167 519 119	167 519 319
50	32	40	25	25	10	206	167 519 120	167 519 320

table continued next page



d [mm]	d1 [mm]	DN [mm]	DN1 [mm]	DN2 [mm]	PN	kv-value ( $\Delta p=1$ bar) [l/min]	EPDM Code	PTFE/EPDM Code
63	20	50	15	20	10	84	<b>167 519 125</b>	<b>167 519 325</b>
63	25	50	20	25	10	150	<b>167 519 126</b>	<b>167 519 326</b>
63	32	50	25	25	10	184	<b>167 519 127</b>	<b>167 519 327</b>

d [mm]	D [mm]	D2 [mm]	L [mm]	L1 [mm]	L3 [mm]	L4 [mm]	H [mm]	Lift = Hx [mm]	e [mm]	e1 [mm]
20	65	65	117	96	162	12	75	7	1.9	1.9
25	80	65	133	108	162	16	80	10	2.3	1.9
25	80	65	133	108	162	16	80	10	2.3	2.3
32	80	65	142	120	162	19	84	10	2.9	1.9
32	80	65	142	120	162	19	84	10	2.9	2.3
32	88	87	145	120	160	19	107	13	2.9	2.9
40	88	87	149	128	180	23	115	13	3.7	1.9
50	80	65	160	134	180	27	97	10	4.6	1.9
50	88	87	160	134	180	28	120	13	4.6	2.3
50	88	87	160	134	180	28	120	13	4.6	2.9
63	80	65	177	144	180	33	104	10	5.8	1.9
63	88	87	177	144	180	35	127	13	5.8	2.3
63	88	87	177	144	180	35	127	13	5.8	2.9



# Diaphragm valves pneumatic

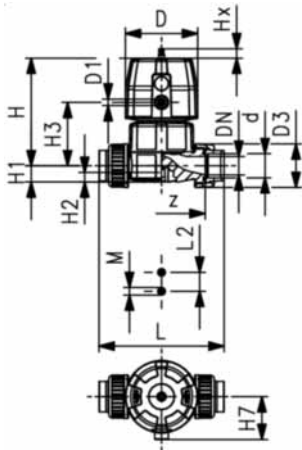
## New generation

### PROGEF Standard

#### Diaphragm valve DIASTAR Six

#### FC (Fail safe to close)

#### Unions with fusion sockets metric



#### Model:

- Material: PP-H
- Double flow rate compared to predecessor
- One housing nut replaces four screws
- Rotating air connection at 90° intervals
- For easy installation and removal
- Short overall length

#### Option:

- Individual configuration of the valve (see diagram)

d [mm]	DN [mm]	PN	kv-value ( $\Delta p=1$ bar) [l/min]	EPDM Code
20	15	6	125	<b>167 614 012</b>
25	20	6	271	<b>167 614 013</b>
32	25	6	481	<b>167 614 014</b>
40	32	6	759	<b>167 614 015</b>
50	40	6	1263	<b>167 614 016</b>
63	50	6	1728	<b>167 614 017</b>

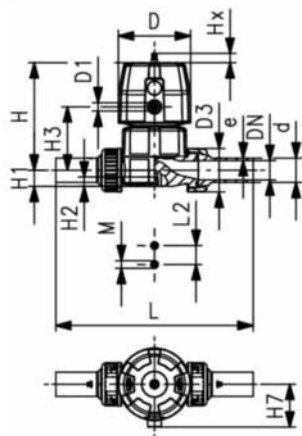
d [mm]	D [mm]	D1_G [inch]	L [mm]	L2 [mm]	H [mm]	H1 [mm]	H2 [mm]	H3 [mm]	H7 [mm]	M	z [mm]	Lift = Hx [mm]
20	68	1/8	128	25	101	14	12	60	43	M6	100	7
25	96	1/8	150	25	132	18	12	73	57	M6	118	10
32	96	1/8	162	25	143	22	12	84	57	M6	126	13
40	120	1/8	184	45	173	26	15	99	69	M8	144	14
50	120	1/8	210	45	193	32	15	119	69	M8	164	16
63	120	1/8	248	45	205	39	15	132	69	M8	194	16

### PROGEF Standard

#### Diaphragm valve DIASTAR Six

#### FC (Fail safe to close)

#### Unions with butt fusion spigots SDR11 metric



#### Model:

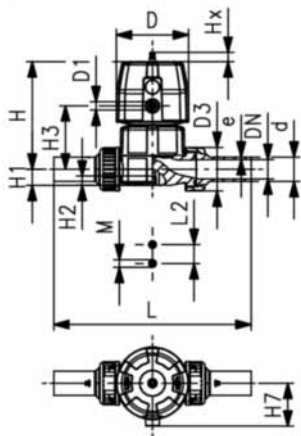
- Material: PP-H
- Double flow rate compared to predecessor
- One housing nut replaces four screws
- Rotating air connection at 90° intervals
- For easy installation and removal
- Short overall length

#### Option:

- Individual configuration of the valve (see diagram)

d [mm]	DN [mm]	PN	kv-value ( $\Delta p=1$ bar) [l/min]	EPDM Code
20	15	6	125	<b>167 614 112</b>
25	20	6	271	<b>167 614 113</b>
32	25	6	481	<b>167 614 114</b>
40	32	6	759	<b>167 614 115</b>
50	40	6	1263	<b>167 614 116</b>
63	50	6	1728	<b>167 614 117</b>

table continued next page



d [mm]	D [mm]	D1_G [inch]	L [mm]	L2 [mm]	H [mm]	H1 [mm]	H2 [mm]	H3 [mm]	H7 [mm]	M	Lift = Hx [mm]	e [mm]
20	68	1/8	196	25	101	14	12	60	43	M6	7	1.9
25	96	1/8	221	25	132	18	12	73	57	M6	10	2.3
32	96	1/8	234	25	143	22	12	84	57	M6	13	2.9
40	120	1/8	260	45	173	26	15	99	69	M8	14	3.7
50	120	1/8	284	45	193	32	15	119	69	M8	16	4.6
63	120	1/8	321	45	205	39	15	132	69	M8	16	5.8



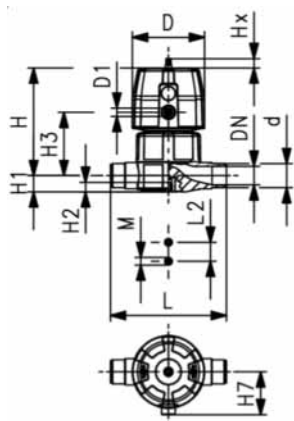
## PROGEF Standard Diaphragm valve DIASTAR Six FC (Fail safe to close) With socket fusion spigots metric

### Model:

- Material: PP-H
- Double flow rate compared to predecessor
- One housing nut replaces four screws
- Rotating air connection at 90° intervals
- Overall length EN 558

### Option:

- Individual configuration of the valve (see diagram)



d [mm]	DN [mm]	PN	kv-value ( $\Delta p=1$ bar) [l/min]	EPDM Code
20	15	6	125	<b>167 615 012</b>
25	20	6	271	<b>167 615 013</b>
32	25	6	481	<b>167 615 014</b>
40	32	6	759	<b>167 615 015</b>
50	40	6	1263	<b>167 615 016</b>
63	50	6	1728	<b>167 615 017</b>

d [mm]	D [mm]	D1_G [inch]	L [mm]	L2 [mm]	H [mm]	H1 [mm]	H2 [mm]	H3 [mm]	H7 [mm]	M	Lift = Hx [mm]	e [mm]
20	68	1/8	124	25	101	14	12	60	43	M6	7	1.9
25	96	1/8	144	25	132	18	12	73	57	M6	10	2.3
32	96	1/8	154	25	143	22	12	84	57	M6	13	2.9
40	120	1/8	174	45	173	26	15	99	69	M8	14	3.7
50	120	1/8	194	45	193	32	15	119	69	M8	16	4.6
63	120	1/8	224	45	205	39	15	132	69	M8	16	5.8



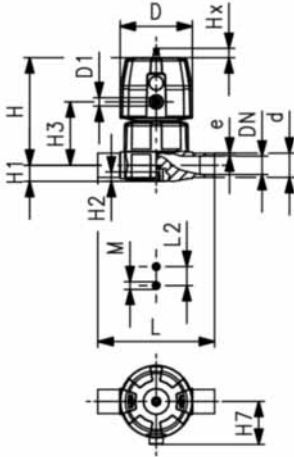
## PROGEF Standard Diaphragm valve DIASTAR Six FC (Fail safe to close) With butt fusion spigots SDR11 metric

### Model:

- Material: PP-H
- Double flow rate compared to predecessor
- One housing nut replaces four screws
- Rotating air connection at 90° intervals

### Option:

- Individual configuration of the valve (see diagram)



d [mm]	DN [mm]	PN	kv-value ( $\Delta p=1$ bar) [l/min]	EPDM Code
20	15	6	125	<b>167 615 112</b>
25	20	6	271	<b>167 615 113</b>
32	25	6	481	<b>167 615 114</b>
40	32	6	759	<b>167 615 115</b>
50	40	6	1263	<b>167 615 116</b>
63	50	6	1728	<b>167 615 117</b>

d [mm]	D [mm]	D1_G [inch]	L [mm]	L2 [mm]	H [mm]	H1 [mm]	H2 [mm]	H3 [mm]	H7 [mm]	M	Lift = Hx [mm]	e [mm]
20	68	1/8	124	25	101	14	12	60	43	M6	7	1.9
25	96	1/8	144	25	132	18	12	73	57	M6	10	2.3
32	96	1/8	154	25	143	22	12	84	57	M6	13	2.9
40	120	1/8	174	45	173	26	15	99	69	M8	14	3.7
50	120	1/8	194	45	193	32	15	119	69	M8	16	4.6
63	120	1/8	224	45	205	39	15	132	69	M8	16	5.8



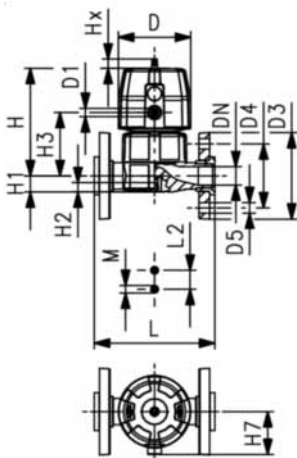
## PROGEF Standard Diaphragm valve DIASTAR Six FC (Fail safe to close) With backing flanges PP-V metric/BS

### Model:

- Material: PP-H
- Double flow rate compared to predecessor
- One housing nut replaces four screws
- Rotating air connection at 90° intervals
- Flat sealing faces/serrated
- Overall length EN 558
- Connecting dimension: ISO 7005 PN 10, EN 1092 PN 10, DIN 2501 PN 10, BS 4504 PN 10

### Option:

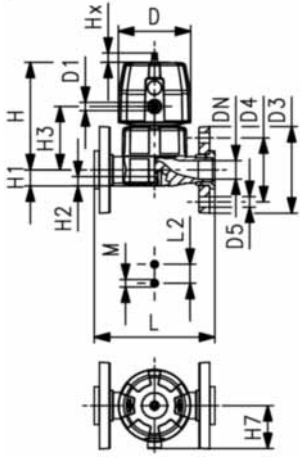
- Individual configuration of the valve (see diagram)



d [mm]	DN [mm]	PN	kv-value ( $\Delta p=1$ bar) [l/min]	EPDM Code
20	15	6	125	<b>167 617 112</b>
25	20	6	271	<b>167 617 113</b>
32	25	6	481	<b>167 617 114</b>
40	32	6	759	<b>167 617 115</b>
50	40	6	1263	<b>167 617 116</b>
63	50	6	1728	<b>167 617 117</b>

d [mm]	D [mm]	D1_G [inch]	D3 [mm]	D4 [mm]	D5 [mm]	L [mm]	L2 [mm]	H [mm]	H1 [mm]	H2 [mm]	H3 [mm]	H7 [mm]	M	Lift = Hx [mm]
20	68	1/8	95	65	14	130	25	101	14	12	60	43	M6	7
25	96	1/8	105	75	14	150	25	132	18	12	73	57	M6	10
32	96	1/8	115	85	14	160	25	143	22	12	84	69	M6	13

table continued next page



d [mm]	D [mm]	D1_G [inch]	D3 [mm]	D4 [mm]	D5 [mm]	L [mm]	L2 [mm]	H [mm]	H1 [mm]	H2 [mm]	H3 [mm]	H7 [mm]	M	Lift = Hx [mm]
40	120	1/8	140	100	18	180	45	173	26	15	99	69	M8	14
50	120	1/8	150	110	18	200	45	193	32	15	119	69	M8	16
63	120	1/8	165	125	18	230	45	205	39	15	132	69	M8	16



## PROGEF Standard Diaphragm valve DIASTAR Ten FC (Fail safe to close) Unions with fusion sockets metric

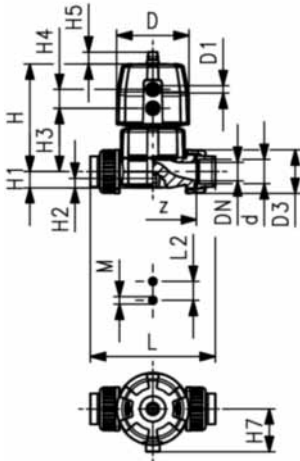
### Model:

- Material: PP-H
- Double flow rate compared to predecessor
- One housing nut replaces four screws
- Rotating air connection at 90° intervals
- For easy installation and removal
- Short overall length

### Option:

- Individual configuration of the valve (see diagram)
- Comprehensive range of accessories available

\* PN: PTFE/EPDM



d [mm]	DN [mm]	PN [bar]	kv-value ( $\Delta p=1$ bar) [l/min]	EPDM Code	PTFE/EPDM Code
20	15	10/10*	125	167 624 012	167 624 032
25	20	10/10*	271	167 624 013	167 624 033
32	25	10/10*	481	167 624 014	167 624 034
40	32	10/10*	759	167 624 015	167 624 035
50	40	10/10*	1263	167 624 016	167 624 036
63	50	10/6*	1728	167 624 017	167 624 037

d [mm]	D [mm]	D1_G [inch]	L [mm]	L2 [mm]	H [mm]	H1 [mm]	H2 [mm]	H3 [mm]	H4 [mm]	H5 [mm]	H7 [mm]	M	z [mm]	Lift = Hx [mm]
20	68	1/8	128	25	101	14	12	60	24	16	43	M6	100	7
25	96	1/8	150	25	132	18	12	73	25	16	57	M6	118	10
32	96	1/8	162	25	143	22	12	84	25	16	57	M6	126	13
40	120	1/8	184	45	173	26	15	99	26	26	69	M8	144	15
50	150	1/4	210	45	214	32	15	119	36	26	88	M8	164	19
63	150	1/4	248	45	226	39	15	132	36	26	88	M8	194	23



## PROGEF Standard Diaphragm valve DIASTAR Ten FC (Fail safe to close) Unions with butt fusion spigots SDR11 metric

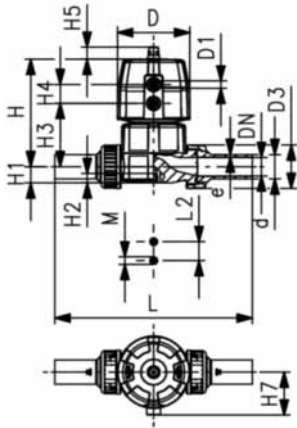
### Model:

- Material: PP-H
- Double flow rate compared to predecessor
- One housing nut replaces four screws
- Rotating air connection at 90° intervals
- For easy installation and removal
- Short overall length

### Option:

- Individual configuration of the valve (see diagram)
- Comprehensive range of accessories available

\* PN: PTFE/EPDM



d [mm]	DN [mm]	PN [bar]	kv-value (Δp=1 bar) [l/min]	EPDM Code	PTFE/EPDM Code
20	15	10/10*	125	<b>167 624 112</b>	<b>167 624 132</b>
25	20	10/10*	271	<b>167 624 113</b>	<b>167 624 133</b>
32	25	10/10*	481	<b>167 624 114</b>	<b>167 624 134</b>
40	32	10/10*	759	<b>167 624 115</b>	<b>167 624 135</b>
50	40	10/10*	1263	<b>167 624 116</b>	<b>167 624 136</b>
63	50	10/6*	1728	<b>167 624 117</b>	<b>167 624 137</b>

d [mm]	D [mm]	D1_G [inch]	L [mm]	L2 [mm]	H [mm]	H1 [mm]	H2 [mm]	H3 [mm]	H4 [mm]	H5 [mm]	H7 [mm]	M	Lift = Hx [mm]	e [mm]
20	68	1/8	196	25	101	14	12	60	24	16	43	M6	7	1.9
25	96	1/8	221	25	132	18	12	73	25	16	57	M6	10	2.3
32	96	1/8	234	25	143	22	12	84	25	16	57	M6	13	2.9
40	120	1/8	260	45	173	26	15	99	26	26	69	M8	15	3.7
50	150	1/4	284	45	214	32	15	119	36	26	88	M8	19	4.6
63	150	1/4	321	45	226	39	15	132	36	26	88	M8	23	5.8



## PROGEF Standard Diaphragm valve DIASTAR Ten FC (Fail safe to close) With socket fusion spigots metric

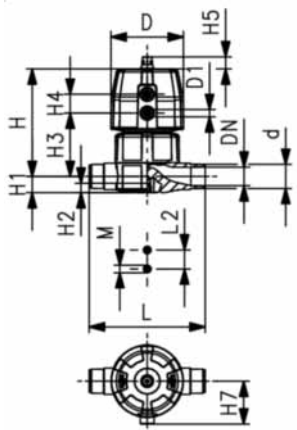
### Model:

- Material: PP-H
- Double flow rate compared to predecessor
- One housing nut replaces four screws
- Rotating air connection at 90° intervals
- Overall length EN 558

### Option:

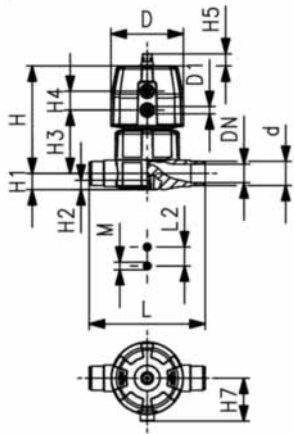
- Individual configuration of the valve (see diagram)
- Comprehensive range of accessories available

\* PN: PTFE/EPDM



d [mm]	DN [mm]	PN [bar]	kv-value (Δp=1 bar) [l/min]	EPDM Code	PTFE/EPDM Code
20	15	10/10*	125	<b>167 625 012</b>	<b>167 625 032</b>
25	20	10/10*	271	<b>167 625 013</b>	<b>167 625 033</b>
32	25	10/10*	481	<b>167 625 014</b>	<b>167 625 034</b>
40	32	10/10*	759	<b>167 625 015</b>	<b>167 625 035</b>
50	40	10/10*	1263	<b>167 625 016</b>	<b>167 625 036</b>
63	50	10/6*	1728	<b>167 625 017</b>	<b>167 625 037</b>

table continued next page



d [mm]	D [mm]	D1_G [inch]	L [mm]	L2 [mm]	H [mm]	H1 [mm]	H2 [mm]	H3 [mm]	H4 [mm]	H5 [mm]	H7 [mm]	M	Lift = Hx [mm]	e [mm]
20	68	1/8	124	25	101	14	12	60	24	16	43	M6	7	1.9
25	96	1/8	144	25	132	18	12	73	25	16	57	M6	10	2.3
32	96	1/8	154	25	143	22	12	84	25	16	57	M6	13	2.9
40	120	1/8	174	45	173	26	15	99	26	26	69	M8	15	3.7
50	150	1/4	194	45	214	32	15	119	36	26	88	M8	19	4.6
63	150	1/4	224	45	226	39	15	132	36	26	88	M8	23	5.8



## PROGEF Standard Diaphragm valve DIASTAR Ten FC (Fail safe to close) With butt fusion spigots SDR11 metric

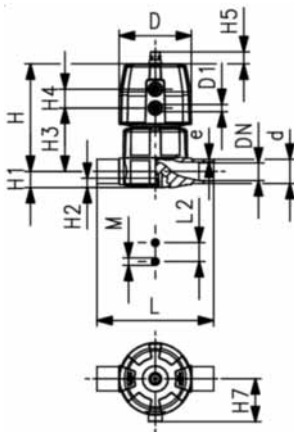
### Model:

- Material: PP-H
- Double flow rate compared to predecessor
- One housing nut replaces four screws
- Rotating air connection at 90° intervals

### Option:

- Individual configuration of the valve (see diagram)
- Comprehensive range of accessories available

\* PN: PTFE/EPDM



d [mm]	DN [mm]	PN [bar]	kv-value ( $\Delta p=1$ bar) [l/min]	EPDM Code	PTFE/EPDM Code
20	15	10/10*	125	<b>167 625 112</b>	<b>167 625 132</b>
25	20	10/10*	271	<b>167 625 113</b>	<b>167 625 133</b>
32	25	10/10*	481	<b>167 625 114</b>	<b>167 625 134</b>
40	32	10/10*	759	<b>167 625 115</b>	<b>167 625 135</b>
50	40	10/10*	1263	<b>167 625 116</b>	<b>167 625 136</b>
63	50	10/6*	1728	<b>167 625 117</b>	<b>167 625 137</b>

d [mm]	D [mm]	D1_G [inch]	L [mm]	L2 [mm]	H [mm]	H1 [mm]	H2 [mm]	H3 [mm]	H4 [mm]	H5 [mm]	H7 [mm]	M	Lift = Hx [mm]
20	68	1/8	124	25	101	14	12	60	24	16	43	M6	7
25	96	1/8	144	25	132	18	12	73	25	16	57	M6	10
32	96	1/8	154	25	143	22	12	84	25	16	57	M6	13
40	120	1/8	174	45	173	26	15	99	26	26	69	M8	15
50	150	1/4	194	45	214	32	15	119	36	26	88	M8	19
63	150	1/4	224	45	226	39	15	132	36	26	88	M8	23





## PROGEF Standard Diaphragm valve DIASTAR Ten FC (Fail safe to close) With backing flanges PP-V metric/BS

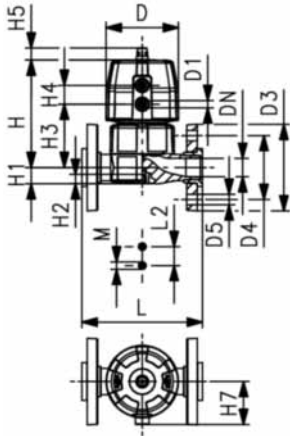
### Model:

- Material: PP-H
- Double flow rate compared to predecessor
- One housing nut replaces four screws
- Rotating air connection at 90° intervals
- Flat sealing faces/serrated
- Overall length EN 558
- Connecting dimension: ISO 7005 PN 10, EN 1092 PN 10, DIN 2501 PN 10, BS 4504 PN 10

### Option:

- Individual configuration of the valve (see diagram)
- Comprehensive range of accessories available

\* PN: PTFE/EPDM



d [mm]	DN [mm]	PN [bar]	kv-value ( $\Delta p=1$ bar) [l/min]	EPDM Code	PTFE/EPDM Code
20	15	10/10*	125	<b>167 627 112</b>	<b>167 627 132</b>
25	20	10/10*	271	<b>167 627 113</b>	<b>167 627 133</b>
32	25	10/10*	481	<b>167 627 114</b>	<b>167 627 134</b>
40	32	10/10*	759	<b>167 627 115</b>	<b>167 627 135</b>
50	40	10/10*	1263	<b>167 627 116</b>	<b>167 627 136</b>
63	50	10/6*	1728	<b>167 627 117</b>	<b>167 627 137</b>

d [mm]	D [mm]	D1_G [inch]	D3 [mm]	D4 [mm]	D5 [mm]	L [mm]	L2 [mm]	H [mm]	H1 [mm]	H2 [mm]	H3 [mm]	H4 [mm]	H5 [mm]	H7 [mm]	M
20	68	1/8	95	65	14	130	25	101	14	12	60	24	16	43	M6
25	96	1/8	105	75	14	150	25	132	18	12	73	25	16	57	M6
32	96	1/8	115	85	14	160	25	143	22	12	84	25	16	69	M6
40	120	1/8	140	100	18	180	45	173	26	15	99	26	26	69	M8
50	150	1/4	150	110	18	200	45	193	32	15	119	36	26	88	M8
63	150	1/4	165	125	18	230	45	205	39	15	132	36	26	88	M8

d [mm]	Lift = Hx [mm]
20	7
25	10
32	13
40	15
50	19
63	23





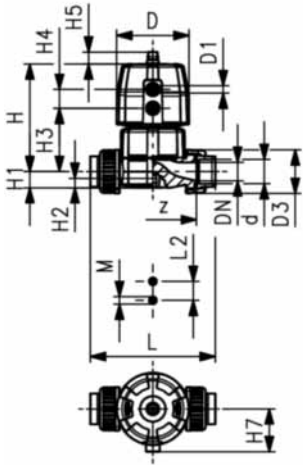
## PROGEF Standard Diaphragm valve DIASTAR Ten FO (Fail safe to open) Unions with fusion sockets metric

### Model:

- Material: PP-H
- Double flow rate compared to predecessor
- One housing nut replaces four screws
- Rotating air connection at 90° intervals
- For easy installation and removal
- Short overall length

### Option:

- Individual configuration of the valve (see diagram)
- Comprehensive range of accessories available



d [mm]	DN [mm]	PN [bar]	kv-value ( $\Delta p=1$ bar) [l/min]	EPDM Code	PTFE/EPDM Code
20	15	10	125	<b>167 644 012</b>	<b>167 644 032</b>
25	20	10	271	<b>167 644 013</b>	<b>167 644 033</b>
32	25	10	481	<b>167 644 014</b>	<b>167 644 034</b>
40	32	10	759	<b>167 644 015</b>	<b>167 644 035</b>
50	40	10	1263	<b>167 644 016</b>	<b>167 644 036</b>
63	50	10	1728	<b>167 644 017</b>	<b>167 644 037</b>

d [mm]	D [mm]	D1_G [inch]	L [mm]	L2 [mm]	H [mm]	H1 [mm]	H2 [mm]	H3 [mm]	H4 [mm]	H5 [mm]	H7 [mm]	M	z [mm]	Lift = Hx [mm]
20	68	1/8	128	25	101	14	12	60	24	16	43	M6	100	7
25	96	1/8	152	25	132	18	12	73	25	16	57	M6	118	10
32	96	1/8	166	25	143	22	12	84	25	16	57	M6	126	13
40	120	1/8	192	45	173	26	15	99	26	26	69	M8	144	15
50	150	1/4	222	45	214	32	15	119	36	26	88	M8	164	19
63	150	1/4	266	45	226	39	15	132	36	26	88	M8	194	23



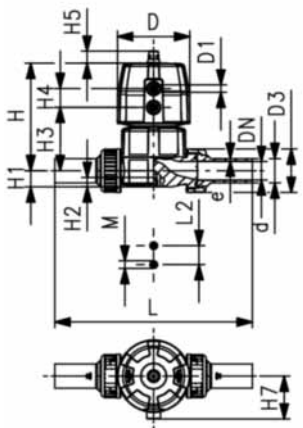
## PROGEF Standard Diaphragm valve DIASTAR Ten FO (Fail safe to open) Unions with butt fusion spigots SDR11 metric

### Model:

- Material: PP-H
- Double flow rate compared to predecessor
- One housing nut replaces four screws
- Rotating air connection at 90° intervals
- For easy installation and removal
- Short overall length

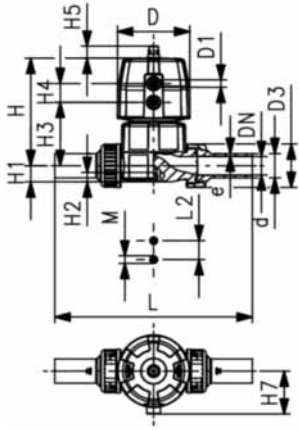
### Option:

- Individual configuration of the valve (see diagram)
- Comprehensive range of accessories available



d [mm]	DN [mm]	PN [bar]	kv-value ( $\Delta p=1$ bar) [l/min]	EPDM Code	PTFE/EPDM Code
20	15	10	125	<b>167 644 112</b>	<b>167 644 132</b>
25	20	10	271	<b>167 644 113</b>	<b>167 644 133</b>
32	25	10	481	<b>167 644 114</b>	<b>167 644 134</b>
40	32	10	759	<b>167 644 115</b>	<b>167 644 135</b>
50	40	10	1263	<b>167 644 116</b>	<b>167 644 136</b>
63	50	10	1728	<b>167 644 117</b>	<b>167 644 137</b>

table continued next page



d [mm]	D [mm]	D1_G [inch]	L [mm]	L2 [mm]	H [mm]	H1 [mm]	H2 [mm]	H3 [mm]	H4 [mm]	H5 [mm]	H7 [mm]	M	Lift = Hx [mm]	e [mm]
20	68	1/8	196	25	101	14	12	60	24	16	43	M6	7	1.9
25	96	1/8	221	25	132	18	12	73	25	16	57	M6	10	2.3
32	96	1/8	234	25	143	22	12	84	25	16	57	M6	13	2.9
40	120	1/8	260	45	173	26	15	99	26	26	69	M8	15	3.7
50	150	1/4	284	45	214	32	15	119	36	26	69	M8	19	4.6
63	150	1/4	321	45	226	39	15	132	36	26	69	M8	23	5.8



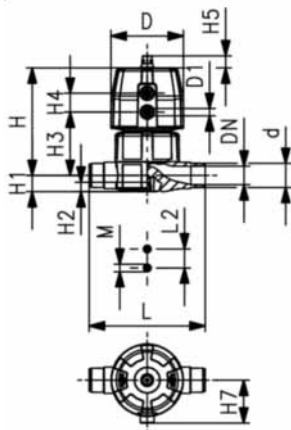
## PROGEF Standard Diaphragm valve DIASTAR Ten FO (Fail safe to open) With socket fusion spigots metric

### Model:

- Material: PP-H
- Double flow rate compared to predecessor
- One housing nut replaces four screws
- Rotating air connection at 90° intervals
- Overall length EN 558

### Option:

- Individual configuration of the valve (see diagram)
- Comprehensive range of accessories available



d [mm]	DN [mm]	PN [bar]	kv-value ( $\Delta p=1$ bar) [l/min]	EPDM Code	PTFE/EPDM Code
20	15	10	125	167 645 012	167 645 032
25	20	10	271	167 645 013	167 645 033
32	25	10	481	167 645 014	167 645 034
40	32	10	759	167 645 015	167 645 035
50	40	10	1263	167 645 016	167 645 036
63	50	10	1728	167 645 017	167 645 037

d [mm]	D [mm]	D1_G [inch]	L [mm]	L2 [mm]	H [mm]	H1 [mm]	H2 [mm]	H3 [mm]	H4 [mm]	H5 [mm]	H7 [mm]	M	Lift = Hx [mm]	e [mm]
20	68	1/8	124	25	101	14	12	60	24	16	43	M6	7	1.9
25	96	1/8	144	25	132	18	12	73	25	16	57	M6	10	2.3
32	96	1/8	154	25	143	22	12	84	25	16	57	M6	13	2.9
40	120	1/8	174	45	173	26	15	99	26	26	69	M8	15	3.7
50	150	1/4	194	45	214	32	15	119	36	26	88	M8	19	4.6
63	150	1/4	224	45	226	39	15	132	36	26	88	M8	23	5.8



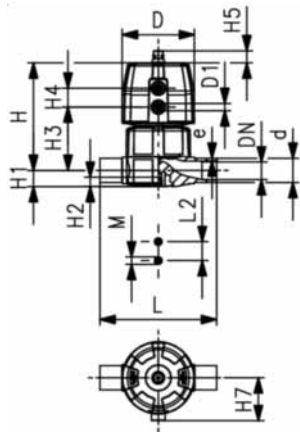
**PROGEF Standard**  
**Diaphragm valve DIASTAR Ten**  
**FO (Fail safe to open)**  
**With butt fusion spigots SDR11 metric**

**Model:**

- Material: PP-H
- Double flow rate compared to predecessor
- One housing nut replaces four screws
- Rotating air connection at 90° intervals

**Option:**

- Individual configuration of the valve (see diagram)
- Comprehensive range of accessories available



d [mm]	DN [mm]	PN [bar]	kv-value ( $\Delta p=1$ bar) [l/min]	EPDM Code	PTFE/EPDM Code
20	15	10	125	<b>167 645 112</b>	<b>167 645 132</b>
25	20	10	271	<b>167 645 113</b>	<b>167 645 133</b>
32	25	10	481	<b>167 645 114</b>	<b>167 645 134</b>
40	32	10	759	<b>167 645 115</b>	<b>167 645 135</b>
50	40	10	1263	<b>167 645 116</b>	<b>167 645 136</b>
63	50	10	1728	<b>167 645 117</b>	<b>167 645 137</b>

d [mm]	D [mm]	D1_G [inch]	L [mm]	L2 [mm]	H [mm]	H1 [mm]	H2 [mm]	H3 [mm]	H4 [mm]	H5 [mm]	H7 [mm]	M	Lift = Hx [mm]	e [mm]
20	68	1/8	124	25	101	14	12	60	24	16	43	M6	7	1.9
25	96	1/8	144	25	132	18	12	73	25	16	57	M6	10	2.3
32	96	1/8	154	25	143	22	12	84	25	16	57	M6	13	2.9
40	120	1/8	174	45	173	26	15	99	26	26	69	M8	15	3.7
50	150	1/4	194	45	214	32	15	119	36	26	88	M8	19	4.6
63	150	1/4	224	45	226	39	15	132	36	26	88	M8	23	5.8



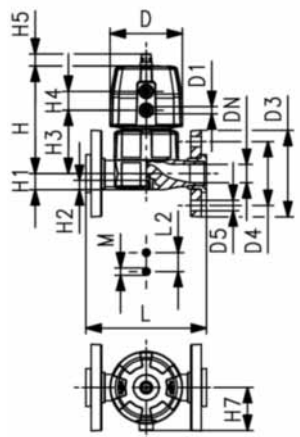
**PROGEF Standard**  
**Diaphragm valve DIASTAR Ten**  
**FO (Fail safe to open)**  
**With backing flanges PP-V metric/BS**

**Model:**

- Material: PP-H
- Double flow rate compared to predecessor
- One housing nut replaces four screws
- Rotating air connection at 90° intervals
- Flat sealing faces/serrated
- Overall length EN 558
- Connecting dimension: ISO 7005 PN 10, EN 1092 PN 10, DIN 2501 PN 10, BS 4504 PN 10

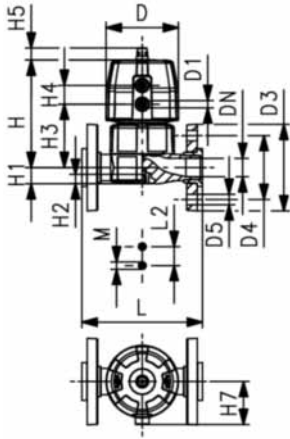
**Option:**

- Individual configuration of the valve (see diagram)
- Comprehensive range of accessories available



d [mm]	DN [mm]	PN [bar]	kv-value ( $\Delta p=1$ bar) [l/min]	EPDM Code	PTFE/EPDM Code
20	15	10	125	<b>167 647 112</b>	<b>167 647 132</b>
25	20	10	271	<b>167 647 113</b>	<b>167 647 133</b>
32	25	10	481	<b>167 647 114</b>	<b>167 647 134</b>
40	32	10	759	<b>167 647 115</b>	<b>167 647 135</b>
50	40	10	1263	<b>167 647 116</b>	<b>167 647 136</b>
63	50	10	1728	<b>167 647 117</b>	<b>167 647 137</b>

table continued next page



d	D	D1_G	D3	D4	D5	L	L2	H	H1	H2	H3	H4	H5	H7	M
[mm]	[mm]	[inch]	[mm]	[mm]	[mm]	[mm]	[mm]	[mm]	[mm]	[mm]	[mm]	[mm]	[mm]	[mm]	
20	68	1/8	95	65	14	130	25	101	14	12	60	24	16	57	M6
25	96	1/8	105	75	14	150	25	132	18	12	73	25	16	57	M6
32	96	1/8	115	85	14	160	25	143	22	12	84	25	16	69	M6
40	120	1/8	140	100	18	180	45	173	26	15	99	26	26	88	M8
50	150	1/4	150	110	18	200	45	214	32	15	119	36	26	103	M8
63	150	1/4	165	125	18	230	45	226	39	15	132	36	26	103	M8

d Lift =  
[mm] Hx  
[mm]

20	7
25	10
32	13
40	15
50	19
63	23



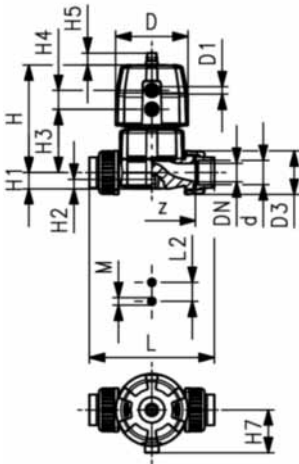
## PROGEF Standard Diaphragm valve DIASTAR Ten DA (Double acting) Unions with fusion sockets metric

### Model:

- Material: PP-H
- Double flow rate compared to predecessor
- One housing nut replaces four screws
- Rotating air connection at 90° intervals
- For easy installation and removal
- Short overall length

### Option:

- Individual configuration of the valve (see diagram)
- Comprehensive range of accessories available



d	DN	PN	kv-value	EPDM	PTFE/EPDM
[mm]	[mm]	[bar]	( $\Delta p=1$ bar)	Code	Code
			[l/min]		
20	15	10	125	<b>167 654 012</b>	<b>167 654 032</b>
25	20	10	271	<b>167 654 013</b>	<b>167 654 033</b>
32	25	10	481	<b>167 654 014</b>	<b>167 654 034</b>
40	32	10	759	<b>167 654 015</b>	<b>167 654 035</b>
50	40	10	1263	<b>167 654 016</b>	<b>167 654 036</b>
63	50	10	1728	<b>167 654 017</b>	<b>167 654 037</b>

d	D	D1_G	L	L2	H	H1	H2	H3	H4	H5	H7	M	z	Lift = Hx
[mm]	[mm]	[inch]	[mm]	[mm]	[mm]	[mm]	[mm]	[mm]	[mm]	[mm]	[mm]		[mm]	[mm]
20	68	1/8	128	25	101	14	12	60	24	16	43	M6	100	7
25	96	1/8	152	25	132	18	12	73	25	16	57	M6	118	10
32	96	1/8	166	25	143	22	12	84	25	16	57	M6	126	13
40	120	1/8	192	45	173	26	15	99	26	26	69	M8	144	15
50	150	1/4	222	45	214	32	15	119	36	26	88	M8	164	19
63	150	1/4	266	45	226	39	15	132	36	26	88	M8	194	23



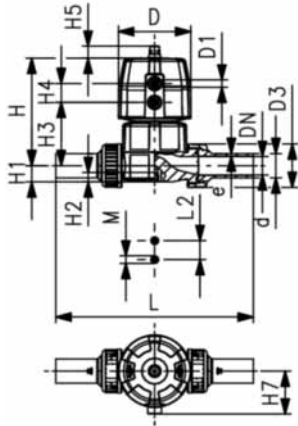
## PROGEF Standard Diaphragm valve DIASTAR Ten DA (Double acting) Unions with butt fusion spigots SDR11 metric

### Model:

- Material: PP-H
- Double flow rate compared to predecessor
- One housing nut replaces four screws
- Rotating air connection at 90° intervals
- For easy installation and removal
- Short overall length

### Option:

- Individual configuration of the valve (see diagram)
- Comprehensive range of accessories available



d [mm]	DN [mm]	PN [bar]	kv-value ( $\Delta p=1$ bar) [l/min]	EPDM Code	PTFE/EPDM Code
20	15	10	125	<b>167 654 112</b>	<b>167 654 132</b>
25	20	10	271	<b>167 654 113</b>	<b>167 654 133</b>
32	25	10	481	<b>167 654 114</b>	<b>167 654 134</b>
40	32	10	759	<b>167 654 115</b>	<b>167 654 135</b>
50	40	10	1263	<b>167 654 116</b>	<b>167 654 136</b>
63	50	10	1728	<b>167 654 117</b>	<b>167 654 137</b>

d [mm]	D [mm]	D1_G [inch]	L [mm]	L2 [mm]	H [mm]	H1 [mm]	H2 [mm]	H3 [mm]	H4 [mm]	H5 [mm]	H7 [mm]	M	Lift = Hx [mm]	e [mm]
20	68	1/8	196	25	101	14	12	60	24	16	43	M6	7	1.9
25	96	1/8	221	25	132	18	12	73	25	16	57	M6	10	2.3
32	96	1/8	234	25	143	22	12	84	25	16	57	M6	13	2.9
40	120	1/8	260	45	173	26	15	99	26	26	69	M8	15	3.7
50	150	1/4	284	45	214	32	15	119	36	26	69	M8	19	4.6
63	150	1/4	321	45	226	39	15	132	36	26	69	M8	23	5.8



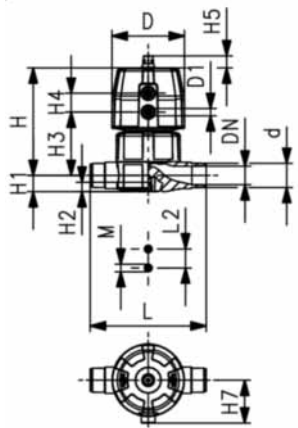
## PROGEF Standard Diaphragm valve DIASTAR Ten DA (Double acting) With socket fusion spigots metric

### Model:

- Material: PP-H
- Double flow rate compared to predecessor
- One housing nut replaces four screws
- Rotating air connection at 90° intervals
- Overall length EN 558

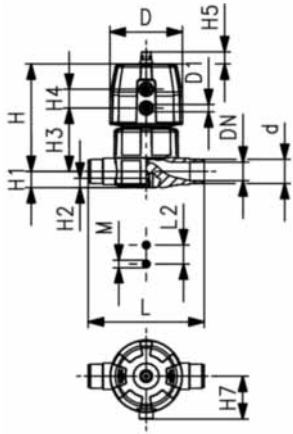
### Option:

- Individual configuration of the valve (see diagram)
- Comprehensive range of accessories available



d [mm]	DN [mm]	PN [bar]	kv-value ( $\Delta p=1$ bar) [l/min]	EPDM Code	PTFE/EPDM Code
20	15	10	125	<b>167 655 012</b>	<b>167 655 032</b>
25	20	10	271	<b>167 655 013</b>	<b>167 655 033</b>
32	25	10	481	<b>167 655 014</b>	<b>167 655 034</b>
40	32	10	759	<b>167 655 015</b>	<b>167 655 035</b>
50	40	10	1263	<b>167 655 016</b>	<b>167 655 036</b>
63	50	10	1728	<b>167 655 017</b>	<b>167 655 037</b>

table continued next page



d [mm]	D [mm]	D1_G [inch]	L [mm]	L2 [mm]	H [mm]	H1 [mm]	H2 [mm]	H3 [mm]	H4 [mm]	H5 [mm]	H7 [mm]	M	Lift = Hx [mm]
20	68	1/8	124	25	101	14	12	60	24	16	43	M6	7
25	96	1/8	144	25	132	18	12	73	25	16	57	M6	10
32	96	1/8	154	25	143	22	12	84	25	16	57	M6	13
40	120	1/8	174	45	173	26	15	99	26	26	69	M8	15
50	150	1/4	194	45	214	32	15	119	36	26	88	M8	19
63	150	1/4	224	45	226	39	15	132	36	26	88	M8	23



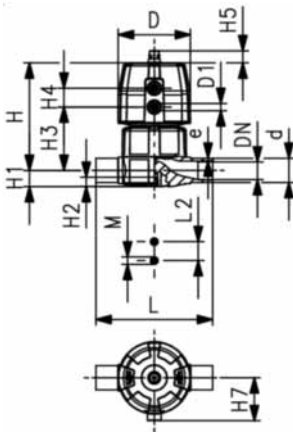
## PROGEF Standard Diaphragm valve DIASTAR Ten DA (Double acting) With butt fusion spigots SDR11 metric

### Model:

- Material: PP-H
- Double flow rate compared to predecessor
- One housing nut replaces four screws
- Rotating air connection at 90° intervals

### Option:

- Individual configuration of the valve (see diagram)
- Comprehensive range of accessories available



d [mm]	DN [mm]	PN [bar]	kv-value ( $\Delta p=1$ bar) [l/min]	EPDM Code	PTFE/EPDM Code
20	15	10	125	167 655 112	167 655 132
25	20	10	271	167 655 113	167 655 133
32	25	10	481	167 655 114	167 655 134
40	32	10	759	167 655 115	167 655 135
50	40	10	1263	167 655 116	167 655 136
63	50	10	1728	167 655 117	167 655 137

d [mm]	D [mm]	D1_G [inch]	L [mm]	L2 [mm]	H [mm]	H1 [mm]	H2 [mm]	H3 [mm]	H4 [mm]	H5 [mm]	H7 [mm]	M	Lift = Hx [mm]	e [mm]
20	68	1/8	124	25	101	14	12	60	24	16	43	M6	7	1.9
25	96	1/8	144	25	132	18	12	73	25	16	57	M6	10	2.3
32	96	1/8	154	25	143	22	12	84	25	16	57	M6	13	2.9
40	120	1/8	174	45	173	26	15	99	26	26	69	M8	15	3.7
50	150	1/4	194	45	214	32	15	119	36	26	88	M8	19	4.6
63	150	1/4	224	45	226	39	15	132	36	26	88	M8	23	5.8





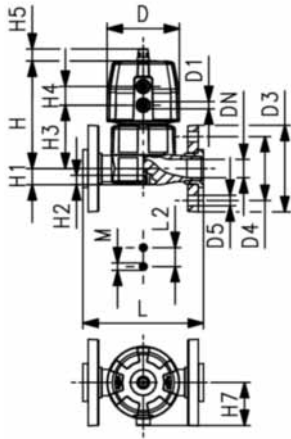
# PROGEF Standard Diaphragm valve DIASTAR Ten DA (Double acting) With backing flanges PP-V metric/BS

## Model:

- Material: PP-H
- Double flow rate compared to predecessor
- One housing nut replaces four screws
- Rotating air connection at 90° intervals
- Flat sealing faces/serrated
- Overall length EN 558
- Connecting dimension: ISO 7005 PN 10, EN 1092 PN 10, DIN 2501 PN 10, BS 4504 PN 10

## Option:

- Individual configuration of the valve (see diagram)
- Comprehensive range of accessories available



d [mm]	DN [mm]	PN [bar]	kv-value ( $\Delta p=1$ bar) [l/min]	EPDM Code	PTFE/EPDM Code
20	15	10	125	<b>167 657 112</b>	<b>167 657 132</b>
25	20	10	271	<b>167 657 113</b>	<b>167 657 133</b>
32	25	10	481	<b>167 657 114</b>	<b>167 657 134</b>
40	32	10	759	<b>167 657 115</b>	<b>167 657 135</b>
50	40	10	1263	<b>167 657 116</b>	<b>167 657 136</b>
63	50	10	1728	<b>167 657 117</b>	<b>167 657 137</b>

d [mm]	D [mm]	D1_G [inch]	D3 [mm]	D4 [mm]	D5 [mm]	L [mm]	L2 [mm]	H [mm]	H1 [mm]	H2 [mm]	H3 [mm]	H4 [mm]	H5 [mm]	H7 [mm]	M
20	68	1/8	95	65	14	130	25	101	14	12	60	24	16	57	M6
25	96	1/8	105	75	14	150	25	132	18	12	73	25	16	57	M6
32	96	1/8	115	85	14	160	25	143	22	12	84	25	16	69	M6
40	120	1/8	140	100	18	180	45	173	26	15	99	26	26	88	M8
50	150	1/4	150	110	18	200	45	214	32	15	119	36	26	103	M8
63	150	1/4	165	125	18	230	45	226	39	15	132	36	26	103	M8

d [mm]	Lift = Hx [mm]
20	7
25	10
32	13
40	15
50	19
63	23





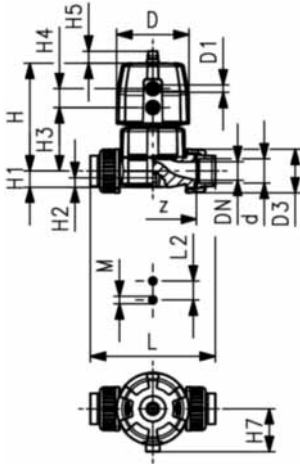
## PROGEF Standard Diaphragm valve DIASTAR Sixteen FC (Fail safe to close) Unions with fusion sockets metric

### Model:

- Material: PP-H
- One housing nut replaces four screws
- Rotating air connection at 90° intervals
- Double flow rate compared to predecessor
- For easy installation and removal
- Short overall length

### Option:

- Individual configuration of the valve (see diagram)
- Comprehensive range of accessories available



d [mm]	DN [mm]	PN [bar]	kv-value ( $\Delta p=1$ bar) [l/min]	EPDM Code	PTFE/EPDM Code
20	15	10	125	<b>167 634 012</b>	<b>167 634 032</b>
25	20	10	271	<b>167 634 013</b>	<b>167 634 033</b>
32	25	10	481	<b>167 634 014</b>	<b>167 634 034</b>
40	32	10	759	<b>167 634 015</b>	<b>167 634 035</b>
50	40	10	1263	<b>167 634 016</b>	<b>167 634 036</b>
63	50	10	1728	<b>167 634 017</b>	<b>167 634 037</b>

d [mm]	D [mm]	D1_G [inch]	L [mm]	L2 [mm]	H [mm]	H1 [mm]	H2 [mm]	H3 [mm]	H4 [mm]	H5 [mm]	H7 [mm]	M	z [mm]	Lift = Hx [mm]
20	96	1/8	128	25	127	14	12	68	25	16	57	M6	100	7
25	96	1/8	152	25	132	18	12	73	25	16	57	M6	118	10
32	120	1/8	166	25	167	22	12	93	26	26	69	M6	126	13
40	150	1/4	192	45	196	26	15	101	36	26	88	M8	144	15
50	180	1/4	222	45	239	32	15	124	37	26	103	M8	164	19
63	180	1/4	266	45	251	39	15	137	37	26	103	M8	194	23



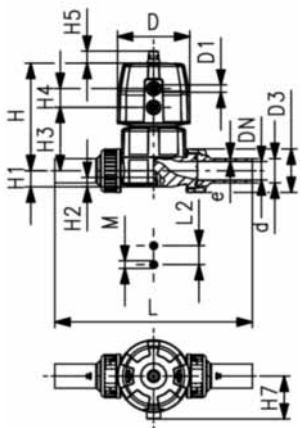
## PROGEF Standard Diaphragm valve DIASTAR Sixteen FC (Fail safe to close) Unions with butt fusion spigots SDR11 metric

### Model:

- Material: PP-H
- One housing nut replaces four screws
- Rotating air connection at 90° intervals
- Double flow rate compared to predecessor
- For easy installation and removal
- Short overall length

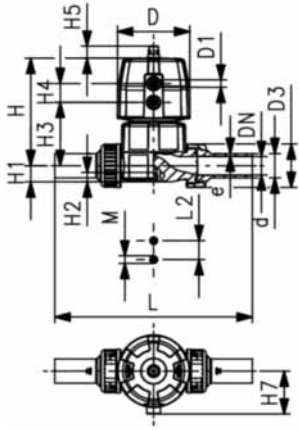
### Option:

- Individual configuration of the valve (see diagram)
- Comprehensive range of accessories available



d [mm]	DN [mm]	PN [bar]	kv-value ( $\Delta p=1$ bar) [l/min]	EPDM Code	PTFE/EPDM Code
20	15	10	125	<b>167 634 112</b>	<b>167 634 132</b>
25	20	10	271	<b>167 634 113</b>	<b>167 634 133</b>
32	25	10	481	<b>167 634 114</b>	<b>167 634 134</b>
40	32	10	759	<b>167 634 115</b>	<b>167 634 135</b>
50	40	10	1263	<b>167 634 116</b>	<b>167 634 136</b>
63	50	10	1728	<b>167 634 117</b>	<b>167 634 137</b>

table continued next page



d [mm]	D [mm]	D1_G [inch]	L [mm]	L2 [mm]	H [mm]	H1 [mm]	H2 [mm]	H3 [mm]	H4 [mm]	H5 [mm]	H7 [mm]	M	Lift = Hx [mm]	e [mm]
20	96	1/8	196	25	127	14	12	68	25	16	57	M6	7	1.9
25	96	1/8	221	25	132	18	12	73	25	16	57	M6	10	2.3
32	120	1/8	234	25	167	22	12	93	26	26	69	M6	13	2.9
40	150	1/4	260	45	196	26	15	101	36	26	88	M8	15	3.7
50	180	1/4	284	45	239	32	15	124	37	26	103	M8	19	4.6
63	180	1/4	321	45	251	39	15	137	37	26	103	M8	23	5.8



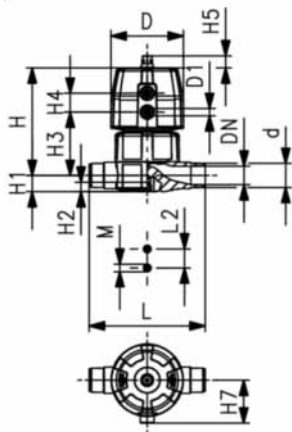
## PROGEF Standard Diaphragm valve DIASTAR Sixteen FC (Fail safe to close) With socket fusion spigots metric

### Model:

- Material: PP-H
- One housing nut replaces four screws
- Rotating air connection at 90° intervals
- Double flow rate compared to predecessor
- Overall length EN 558

### Option:

- Individual configuration of the valve (see diagram)
- Comprehensive range of accessories available



d [mm]	DN [mm]	PN [bar]	kv-value ( $\Delta p=1$ bar) [l/min]	EPDM Code	PTFE/EPDM Code
20	15	10	125	<b>167 635 012</b>	<b>167 635 032</b>
25	20	10	271	<b>167 635 013</b>	<b>167 635 033</b>
32	25	10	481	<b>167 635 014</b>	<b>167 635 034</b>
40	32	10	759	<b>167 635 015</b>	<b>167 635 035</b>
50	40	10	1263	<b>167 635 016</b>	<b>167 635 036</b>
63	50	10	1728	<b>167 635 017</b>	<b>167 635 037</b>

d [mm]	D [mm]	D1_G [inch]	L [mm]	L2 [mm]	H [mm]	H1 [mm]	H2 [mm]	H3 [mm]	H4 [mm]	H5 [mm]	H7 [mm]	M	Lift = Hx [mm]	e [mm]
20	96	1/8	124	25	127	14	12	68	25	16	57	M6	7	1.9
25	96	1/8	144	25	132	18	12	73	25	16	57	M6	10	2.3
32	120	1/8	154	25	167	22	12	93	26	26	69	M6	13	2.9
40	150	1/4	174	45	196	26	15	101	36	26	88	M8	15	3.7
50	180	1/4	194	45	239	32	15	124	37	26	103	M8	19	4.6
63	180	1/4	224	45	251	39	15	137	37	26	103	M8	23	5.8



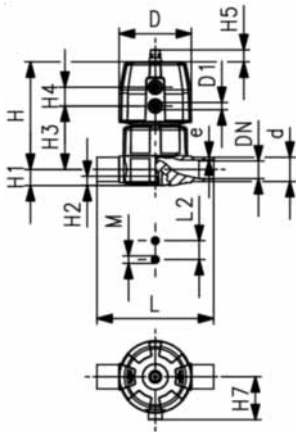
## PROGEF Standard Diaphragm valve DIASTAR Sixteen FC (Fail safe to close) With butt fusion spigots SDR11 metric

### Model:

- Material: PP-H
- One housing nut replaces four screws
- Rotating air connection at 90° intervals
- Double flow rate compared to predecessor

### Option:

- Individual configuration of the valve (see diagram)
- Comprehensive range of accessories available



d [mm]	DN [mm]	PN [bar]	kv-value ( $\Delta p=1$ bar) [l/min]	EPDM Code	PTFE/EPDM Code
20	15	10	125	<b>167 635 112</b>	<b>167 635 132</b>
25	20	10	271	<b>167 635 113</b>	<b>167 635 133</b>
32	25	10	481	<b>167 635 114</b>	<b>167 635 134</b>
40	32	10	759	<b>167 635 115</b>	<b>167 635 135</b>
50	40	10	1263	<b>167 635 116</b>	<b>167 635 136</b>
63	50	10	1728	<b>167 635 117</b>	<b>167 635 137</b>

d [mm]	D [mm]	D1_G [inch]	L [mm]	L2 [mm]	H [mm]	H1 [mm]	H2 [mm]	H3 [mm]	H4 [mm]	H5 [mm]	H7 [mm]	M	Lift = Hx [mm]	e [mm]
20	96	1/8	124	25	127	14	12	68	25	16	57	M6	7	1.9
25	96	1/8	144	25	132	18	12	73	25	16	57	M6	10	2.3
32	120	1/8	154	25	167	22	12	93	26	26	69	M6	13	2.9
40	150	1/4	174	45	196	26	15	101	36	26	88	M8	15	3.7
50	180	1/4	194	45	239	32	15	124	37	26	103	M8	19	4.6
63	180	1/4	224	45	251	39	15	137	37	26	103	M8	23	5.8



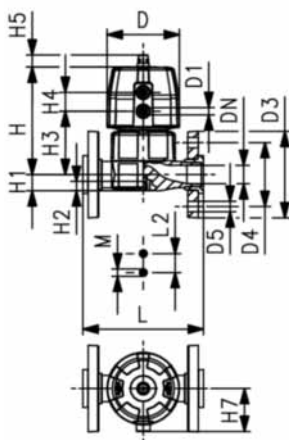
## PROGEF Standard Diaphragm valve DIASTAR Sixteen FC (Fail safe to close) With backing flanges PP-V metric/BS

### Model:

- Material: PP-H
- One housing nut replaces four screws
- Rotating air connection at 90° intervals
- Double flow rate compared to predecessor
- Flat sealing faces/serrated
- Overall length EN 558
- Connecting dimension: ISO 7005 PN 10, EN 1092 PN 10, DIN 2501 PN 10, BS 4504 PN 10

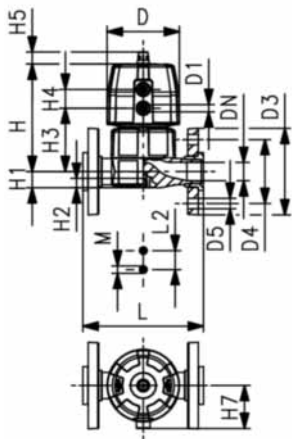
### Option:

- Individual configuration of the valve (see diagram)
- Comprehensive range of accessories available



d [mm]	DN [mm]	PN [bar]	kv-value ( $\Delta p=1$ bar) [l/min]	EPDM Code	PTFE/EPDM Code
20	15	10	125	<b>167 637 112</b>	<b>167 637 132</b>
25	20	10	271	<b>167 637 113</b>	<b>167 637 133</b>
32	25	10	481	<b>167 637 114</b>	<b>167 637 134</b>
40	32	10	759	<b>167 637 115</b>	<b>167 637 135</b>
50	40	10	1263	<b>167 637 116</b>	<b>167 637 136</b>
63	50	10	1728	<b>167 637 117</b>	<b>167 637 137</b>

table continued next page



d	D	D1_G	D3	D4	D5	L	L2	H	H1	H2	H3	H4	H5	H7	M
[mm]	[mm]	[inch]	[mm]	[mm]	[mm]	[mm]	[mm]	[mm]	[mm]	[mm]	[mm]	[mm]	[mm]	[mm]	
20	96	1/8	95	65	14	130	25	127	14	12	68	25	16	57	M6
25	96	1/8	105	75	14	150	25	132	18	12	73	25	16	57	M6
32	120	1/8	115	85	14	160	25	167	22	12	93	26	26	69	M6
40	150	1/4	140	100	18	180	45	196	26	15	101	36	26	88	M8
50	180	1/4	150	110	18	200	45	239	32	15	124	37	26	103	M8
63	180	1/4	165	125	18	230	45	251	39	15	137	37	26	103	M8

d	Lift = Hx
[mm]	[mm]
20	7
25	10
32	13
40	15
50	19
63	23



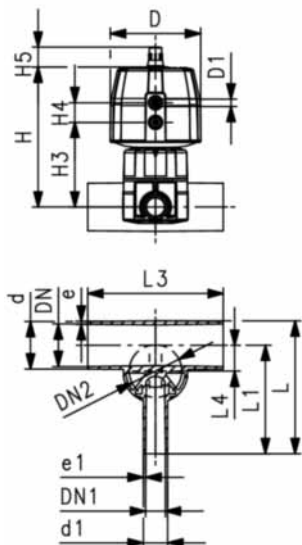
## PROGEF Standard Diaphragm valve DIASTAR Sixteen FC (Fail safe to close) With butt fusion spigots SDR11 metric

### Model:

- Material: PP-H
- One housing nut replaces four screws
- Rotating air connection at 90° intervals
- Smallest possible dead space

### Option:

- Individual configuration of the valve (see diagram)
- Comprehensive range of accessories available



d	d1	DN	DN1	DN2	PN	kv-value (Δp=1 bar) [l/min]	EPDM Code	PTFE/EPDM Code
[mm]	[mm]	[mm]	[mm]	[mm]	[bar]			
20	20	15	15	15	10	57	167 639 101	167 639 301
25	20	20	15	20	10	89	167 639 103	167 639 303
25	25	20	20	20	10	118	167 639 104	167 639 304
32	20	25	15	20	10	80	167 639 107	167 639 307
32	25	25	20	20	10	105	167 639 108	167 639 308
32	32	25	25	25	10	231	167 639 109	167 639 309
40	20	32	15	25	10	85	167 639 112	167 639 312
50	20	40	15	20	10	86	167 639 118	167 639 318
50	25	40	20	25	10	160	167 639 119	167 639 319
50	32	40	25	25	10	206	167 639 120	167 639 320
63	20	50	15	20	10	84	167 639 125	167 639 325
63	25	50	20	25	10	150	167 639 126	167 639 326
63	32	50	25	25	10	184	167 639 127	167 639 327

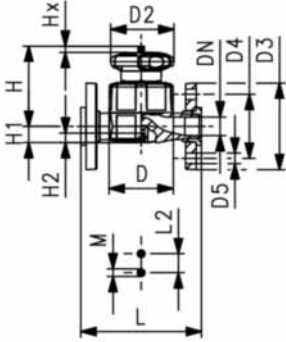
d	D	D1	L	L1	L3	L4	H	H3	H4	H5	Lift = Hx	e	e1
[mm]	[mm]	[inch]	[mm]	[mm]	[mm]	[mm]	[mm]	[mm]	[mm]	[mm]	[mm]	[mm]	[mm]
20	96	1/8	117	96	162	12	130	71	25	16	7	1.9	1.9
25	96	1/8	133	108	162	16	131	72	25	16	10	2.3	1.9
25	96	1/8	133	108	162	16	131	72	25	16	10	2.3	2.3
32	96	1/8	142	120	162	19	135	76	25	16	10	2.9	1.9
32	96	1/8	142	120	162	19	135	76	25	16	10	2.9	2.3
32	120	1/8	145	120	160	19	167	93	26	26	13	2.9	2.9
40	120	1/8	149	128	180	23	175	101	26	26	13	3.7	1.9
50	96	1/8	160	134	180	27	148	90	25	16	10	4.6	1.9
50	120	1/8	160	134	180	28	180	106	26	26	13	4.6	2.3
50	120	1/8	160	134	180	28	180	106	26	26	13	4.6	2.9
63	96	1/8	177	144	180	33	155	96	25	26	10	5.8	1.9
63	120	1/8	177	144	180	35	187	113	26	16	13	5.8	2.3
63	120	1/8	177	144	180	35	187	113	26	26	13	5.8	2.9

# Diaphragm valves new generation

## PROGEF Standard

### Diaphragm valve type 517

#### With backing flanges PP-V Inch ANSI



#### Model:

- Material: PP-H
- Double flow rate compared to predecessor
- One housing nut replaces four screws
- Handwheel with built-in locking mechanism
- Overall length EN 558
- Connecting dimension: ANSI/ASME B 16.5 class 150, ASTM D 4024, BS 1560, BS EN 1759
- Flat sealing faces/serrated

#### Option:

- Individual configuration of the valve (see diagram)
- Self adjusting multifunctional module with integrated limit switches

Inch	DN [mm]	PN	kv-value ( $\Delta p=1$ bar) [l/min]	EPDM Code	PTFE/EPDM Code
1/2	15	10	125	<b>167 517 712</b>	<b>167 517 732</b>
3/4	20	10	271	<b>167 517 713</b>	<b>167 517 733</b>
1	25	10	481	<b>167 517 714</b>	<b>167 517 734</b>
1 1/4	32	10	759	<b>167 517 715</b>	<b>167 517 735</b>
1 1/2	40	10	1263	<b>167 517 716</b>	<b>167 517 736</b>
2	50	10	1728	<b>167 517 717</b>	<b>167 517 737</b>

Inch	D [mm]	D2 [mm]	D3 [mm]	D4 [mm]	D5 [mm]	L [mm]	L2 [mm]	H [mm]	H1 [mm]	H2 [mm]	M	Lift = Hx [mm]
1/2	65	65	95	60	16	130	25	73	14	12	M6	7
3/4	80	65	105	70	16	150	25	81	18	12	M6	10
1	88	87	115	79	16	160	25	107	22	12	M6	13
1 1/4	101	87	140	89	16	180	45	115	26	15	M8	15
1 1/2	117	135	150	98	16	200	45	148	32	15	M8	19
2	144	135	165	121	19	230	45	166	39	15	M8	25

# Diaphragm valves pneumatic

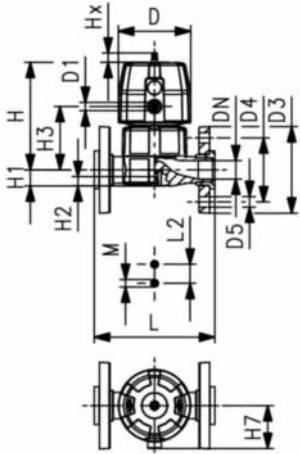
## New generation

### PROGEF Standard

#### Diaphragm valve DIASTAR Six

#### FC (Fail safe to close)

#### With backing flanges PP-V Inch ANSI



#### Model:

- Material: PP-H
- Double flow rate compared to predecessor
- One housing nut replaces four screws
- Rotating air connection at 90° intervals
- Flat sealing faces/serrated
- Connecting dimension: ANSI/ASME B 16.5 class 150, ASTM D 4024, BS 1560, BS EN 1759

#### Option:

- Individual configuration of the valve (see diagram)

Inch	DN [mm]	PN	kv-value ( $\Delta p=1$ bar) [l/min]	EPDM Code
1/2	15	6	125	<b>167 617 712</b>
3/4	20	6	271	<b>167 617 713</b>
1	25	6	481	<b>167 617 714</b>
1 1/4	32	6	759	<b>167 617 715</b>
1 1/2	40	6	1263	<b>167 617 716</b>
2	50	6	1728	<b>167 617 717</b>

Inch	D [mm]	D1_G [inch]	D3 [mm]	D4 [mm]	D5 [mm]	L [mm]	L2 [mm]	H [mm]	H1 [mm]	H2 [mm]	H3 [mm]	H7 [mm]	M	Lift = Hx [mm]
1/2	68	1/8	95	60	16	130	25	101	14	12	60	43	M6	7
3/4	96	1/8	105	70	16	150	25	132	18	12	73	57	M6	10
1	96	1/8	115	79	16	160	25	143	22	12	84	69	M6	13
1 1/4	120	1/8	140	89	16	180	45	173	26	15	99	69	M8	14
1 1/2	120	1/8	150	98	16	200	45	193	32	15	119	69	M8	16
2	120	1/8	165	121	19	230	45	205	39	15	132	69	M8	16



# PROGEF Standard Diaphragm valve DIASTAR Ten FC (Fail safe to close) With backing flanges PP-V Inch ANSI

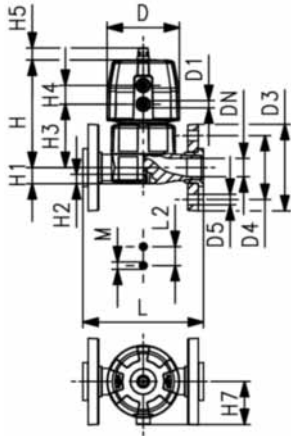
## Model:

- Material: PP-H
- Double flow rate compared to predecessor
- One housing nut replaces four screws
- Rotating air connection at 90° intervals
- Flat sealing faces/serrated
- Connecting dimension: ANSI/ASME B 16.5 class 150, ASTM D 4024, BS 1560, BS EN 1759

## Option:

- Individual configuration of the valve (see diagram)
- Comprehensive range of accessories available

\* PN: PTFE/EPDM



Inch	DN [mm]	PN [bar]	kv-value ( $\Delta p=1$ bar) [l/min]	EPDM Code	PTFE/EPDM Code
1/2	15	10/10*	125	<b>167 627 712</b>	<b>167 627 732</b>
3/4	20	10/10*	271	<b>167 627 713</b>	<b>167 627 733</b>
1	25	10/10*	481	<b>167 627 714</b>	<b>167 627 734</b>
1 1/4	32	10/10*	759	<b>167 627 715</b>	<b>167 627 735</b>
1 1/2	40	10/10*	1263	<b>167 627 716</b>	<b>167 627 736</b>
2	50	10/6*	1728	<b>167 627 717</b>	<b>167 627 737</b>

Inch	D [mm]	D1_G [inch]	D3 [mm]	D4 [mm]	D5 [mm]	L [mm]	L2 [mm]	H [mm]	H1 [mm]	H2 [mm]	H3 [mm]	H4 [mm]	H5 [mm]	H7 [mm]	M
1/2	68	1/8	95	60	16	130	25	101	14	12	60	24	16	43	M6
3/4	96	1/8	105	70	16	150	25	132	18	12	73	25	16	57	M6
1	96	1/8	115	79	16	160	25	143	22	12	84	25	16	69	M6
1 1/4	120	1/8	140	89	16	180	45	173	26	15	99	26	26	69	M8
1 1/2	150	1/4	150	98	16	200	45	193	32	15	119	36	26	88	M8
2	150	1/4	165	121	19	230	45	205	39	15	132	36	26	88	M8

Inch	Lift = Hx [mm]
1/2	7
3/4	10
1	13
1 1/4	15
1 1/2	19
2	23





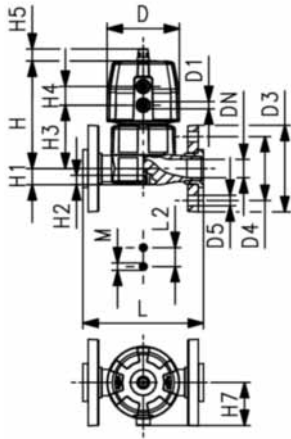
# PROGEF Standard Diaphragm valve DIASTAR Ten FO (Fail safe to open) With backing flanges PP-V Inch ANSI

## Model:

- Material: PP-H
- Double flow rate compared to predecessor
- One housing nut replaces four screws
- Rotating air connection at 90° intervals
- Flat sealing faces/serrated
- Connecting dimension: ANSI/ASME B 16.5 class 150, ASTM D 4024, BS 1560, BS EN 1759

## Option:

- Individual configuration of the valve (see diagram)
- Comprehensive range of accessories available



Inch	DN [mm]	PN [bar]	kv-value ( $\Delta p=1$ bar) [l/min]	EPDM Code	PTFE/EPDM Code
1/2	15	10	125	167 647 712	167 647 732
3/4	20	10	271	167 647 713	167 647 733
1	25	10	481	167 647 714	167 647 734
1 1/4	32	10	759	167 647 715	167 647 735
1 1/2	40	10	1263	167 647 716	167 647 736
2	50	10	1728	167 647 717	167 647 737

Inch	D [mm]	D1_G [inch]	D3 [mm]	D4 [mm]	D5 [mm]	L [mm]	L2 [mm]	H [mm]	H1 [mm]	H2 [mm]	H3 [mm]	H4 [mm]	H5 [mm]	H7 [mm]	M
1/2	68	1/8	95	60	16	130	25	101	14	12	60	24	16	57	M6
3/4	96	1/8	105	70	16	150	25	132	18	12	73	25	16	57	M6
1	96	1/8	115	79	16	160	25	143	22	12	84	25	16	69	M6
1 1/4	120	1/8	140	89	16	180	45	173	26	15	99	26	26	88	M8
1 1/2	150	1/4	150	98	16	200	45	214	32	15	119	36	26	103	M8
2	150	1/4	165	121	19	230	45	226	39	15	132	36	26	103	M8

Inch	Lift = Hx [mm]
1/2	7
3/4	10
1	13
1 1/4	15
1 1/2	19
2	23



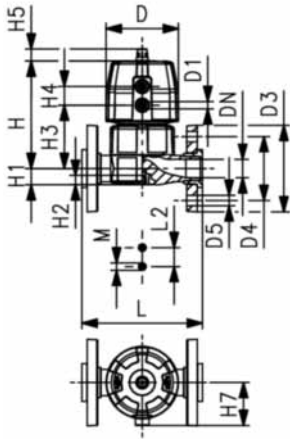
# PROGEF Standard Diaphragm valve DIASTAR Ten DA (Double acting) With backing flanges PP-V Inch ANSI

## Model:

- Material: PP-H
- Double flow rate compared to predecessor
- One housing nut replaces four screws
- Rotating air connection at 90° intervals
- Flat sealing faces/serrated
- Connecting dimension: ANSI/ASME B 16.5 class 150, ASTM D 4024, BS 1560, BS EN 1759

## Option:

- Individual configuration of the valve (see diagram)
- Comprehensive range of accessories available



Inch	DN [mm]	PN [bar]	kv-value ( $\Delta p=1$ bar) [l/min]	EPDM Code	PTFE/EPDM Code
1/2	15	10	125	<b>167 657 712</b>	<b>167 657 732</b>
3/4	20	10	271	<b>167 657 713</b>	<b>167 657 733</b>
1	25	10	481	<b>167 657 714</b>	<b>167 657 734</b>
1 1/4	32	10	759	<b>167 657 715</b>	<b>167 657 735</b>
1 1/2	40	10	1263	<b>167 657 716</b>	<b>167 657 736</b>
2	50	10	1728	<b>167 657 717</b>	<b>167 657 737</b>

Inch	D [mm]	D1_G [inch]	D3 [mm]	D4 [mm]	D5 [mm]	L [mm]	L2 [mm]	H [mm]	H1 [mm]	H2 [mm]	H3 [mm]	H4 [mm]	H5 [mm]	H7 [mm]	M
1/2	68	1/8	95	60	16	130	25	101	14	12	60	24	16	57	M6
3/4	96	1/8	105	70	16	150	25	132	18	12	73	25	16	57	M6
1	96	1/8	115	79	16	160	25	143	22	12	84	25	16	69	M6
1 1/4	120	1/8	140	89	16	180	45	173	26	15	99	26	26	88	M8
1 1/2	150	1/4	150	98	16	200	45	214	32	15	119	36	26	103	M8
2	150	1/4	165	121	19	230	45	226	39	15	132	36	26	103	M8

Inch	Lift = Hx [mm]
1/2	7
3/4	10
1	13
1 1/4	15
1 1/2	19
2	23



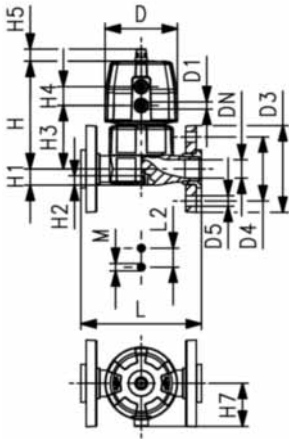
# PROGEF Standard Diaphragm valve DIASTAR Sixteen FC (Fail safe to close) With backing flanges PP-V Inch ANSI

## Model:

- Material: PP-H
- Double flow rate compared to predecessor
- One housing nut replaces four screws
- Rotating air connection at 90° intervals
- Flat sealing faces/serrated
- Connecting dimension: ANSI/ASME B 16.5 class 150, ASTM D 4024, BS 1560, BS EN 1759

## Option:

- Individual configuration of the valve (see diagram)
- Comprehensive range of accessories available



Inch	DN [mm]	PN [bar]	kv-value ( $\Delta p=1$ bar) [l/min]	EPDM Code	PTFE/EPDM Code
1/2	15	10	125	167 637 712	167 637 732
3/4	20	10	271	167 637 713	167 637 733
1	25	10	481	167 637 714	167 637 734
1 1/4	32	10	759	167 637 715	167 637 735
1 1/2	40	10	1263	167 637 716	167 637 736
2	50	10	1728	167 637 717	167 637 737

Inch	D [mm]	D1_G [inch]	D3 [mm]	D4 [mm]	D5 [mm]	L [mm]	L2 [mm]	H [mm]	H1 [mm]	H2 [mm]	H3 [mm]	H4 [mm]	H5 [mm]	H7 [mm]	M
1/2	96	3/8	95	60	16	130	25	127	14	12	68	25	16	57	M6
3/4	96	3/8	105	70	16	150	25	132	18	12	73	25	16	57	M6
1	120	3/8	115	79	16	160	25	167	22	12	93	26	26	69	M6
1 1/4	150	1/4	140	89	16	180	45	196	26	15	101	36	26	88	M8
1 1/2	180	1/4	150	98	16	200	45	239	32	15	124	37	26	103	M8
2	180	1/4	165	121	19	230	45	251	39	15	137	37	26	103	M8

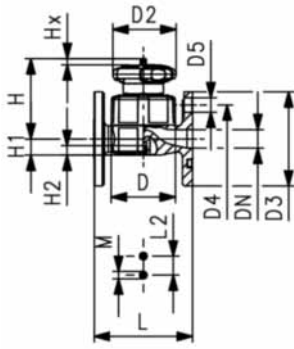
Inch	Lift = Hx [mm]
1/2	7
3/4	10
1	13
1 1/4	15
1 1/2	19
2	23

# Diaphragm valves new generation

## PROGEF Standard

### Diaphragm valve type 517

#### With fixed flanges PP-H JIS



#### Model:

- Material: PP-H
- Double flow rate compared to predecessor
- One housing nut replaces four screws
- Handwheel with built-in locking mechanism
- Connecting dimension: JIS B2238/39 10K
- Flat sealing faces/serrated

#### Option:

- Individual configuration of the valve (see diagram)
- Self adjusting multifunctional module with integrated limit switches

Inch	DN [mm]	PN	kv-value ( $\Delta p=1$ bar) [l/min]	EPDM Code	PTFE/EPDM Code
1/2	15	10	125		167 517 932
3/4	20	10	271	167 517 913	167 517 933
1	25	10	481	167 517 914	167 517 934
1 1/4	32	10	759	167 517 915	167 517 935
1 1/2	40	10	1263	167 517 916	167 517 936
2	50	10	1728	167 517 917	167 517 937

Inch	D [mm]	D2 [mm]	D3 [mm]	D4 [mm]	D5 [mm]	L [mm]	L2 [mm]	H [mm]	H1 [mm]	H2 [mm]	M	Lift = Hx [mm]
1/2	65	65	95	70	15	110	25	73	14	12	M6	7
3/4	80	65	100	75	15	120	25	81	18	12	M6	10
1	88	87	125	90	19	130	25	107	22	12	M6	13
1 1/4	101	87	135	100	19	180	45	115	26	15	M8	15
1 1/2	117	135	140	105	19	180	45	148	32	15	M8	19
2	144	135	155	120	19	210	45	166	39	15	M8	25

# Diaphragm valves pneumatic

## New generation

### PROGEF Standard

#### Diaphragm valve DIASTAR Six

#### FC (Fail safe to close)

#### With fixed flanges PP-H JIS

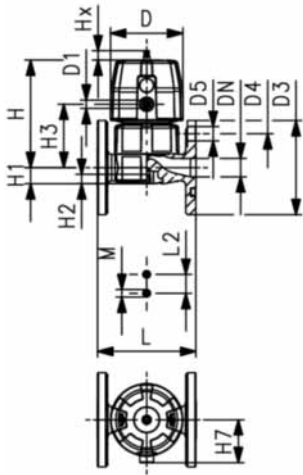


#### Model:

- Material: PP-H
- Double flow rate compared to predecessor
- One housing nut replaces four screws
- Rotating air connection at 90° intervals
- Flat sealing faces/serrated
- Connecting dimension: JIS B2238/39 10K

#### Option:

- Individual configuration of the valve (see diagram)



Inch	DN [mm]	PN	kv-value ( $\Delta p=1$ bar) [l/min]	EPDM Code
1/2	15	6	125	<b>167 617 912</b>
3/4	20	6	271	<b>167 617 913</b>
1	25	6	481	<b>167 617 914</b>
1 1/4	32	6	759	<b>167 617 915</b>
1 1/2	40	6	1263	<b>167 617 916</b>
2	50	6	1728	<b>167 617 917</b>

Inch	D [mm]	D1_G [inch]	D3 [mm]	D4 [mm]	D5 [mm]	L [mm]	L2 [mm]	H [mm]	H1 [mm]	H2 [mm]	H3 [mm]	H7 [mm]	M	Lift = Hx [mm]
1/2	68	1/8	95	70	15	110	25	101	14	12	60	43	M6	7
3/4	96	1/8	100	75	15	120	25	132	18	12	73	57	M6	10
1	96	1/8	125	90	19	130	25	143	22	12	84	69	M6	13
1 1/4	120	1/8	135	100	19	180	45	173	26	15	99	69	M8	14
1 1/2	120	1/8	140	105	19	180	45	193	32	15	119	69	M8	16
2	120	1/8	155	120	19	210	45	205	39	15	132	69	M8	16



# PROGEF Standard Diaphragm valve DIASTAR Ten FC (Fail safe to close) With fixed flanges PP-H JIS

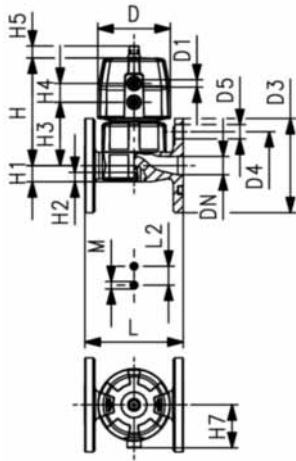
## Model:

- Material: PP-H
- Double flow rate compared to predecessor
- One housing nut replaces four screws
- Rotating air connection at 90° intervals
- Connecting dimension: JIS B2238/39 10K
- Flat sealing faces/serrated

## Option:

- Individual configuration of the valve (see diagram)
- Comprehensive range of accessories available

\* PN: PTFE/EPDM



Inch	DN [mm]	PN [bar]	kv-value ( $\Delta p=1$ bar) [l/min]	EPDM Code	PTFE/EPDM Code
1/2	15	10/10*	125	<b>167 627 912</b>	<b>167 627 932</b>
3/4	20	10/10*	271	<b>167 627 913</b>	<b>167 627 933</b>
1	25	10/10*	481	<b>167 627 914</b>	<b>167 627 934</b>
1 1/4	32	10/10*	759	<b>167 627 915</b>	<b>167 627 935</b>
1 1/2	40	10/10*	1263	<b>167 627 916</b>	<b>167 627 936</b>
2	50	10/6*	1728	<b>167 627 917</b>	<b>167 627 937</b>

Inch	D [mm]	D1_G [inch]	D3 [mm]	D4 [mm]	D5 [mm]	L [mm]	L2 [mm]	H [mm]	H1 [mm]	H2 [mm]	H3 [mm]	H4 [mm]	H5 [mm]	H7 [mm]	M
1/2	68	1/8	95	70	15	110	25	101	14	12	60	24	16	43	M6
3/4	96	1/8	100	75	15	120	25	132	18	12	73	25	16	57	M6
1	96	1/8	125	90	19	130	25	143	22	12	84	25	16	69	M6
1 1/4	120	1/8	135	100	19	180	45	173	26	15	99	26	26	69	M8
1 1/2	150	1/4	140	105	19	180	45	193	32	15	119	36	26	88	M8
2	150	1/4	155	120	19	210	45	205	39	15	132	36	26	88	M8

Inch	Lift = Hx [mm]
1/2	7
3/4	10
1	13
1 1/4	15
1 1/2	19
2	23



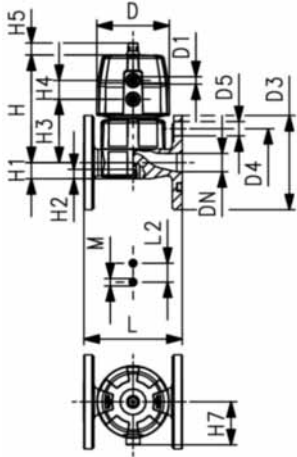
## PROGEF Standard Diaphragm valve DIASTAR Ten FO (Fail safe to open) With fixed flanges PP-H JIS

### Model:

- Material: PP-H
- Double flow rate compared to predecessor
- One housing nut replaces four screws
- Rotating air connection at 90° intervals
- Flat sealing faces/serrated
- Connecting dimension: JIS B2238/39 10K

### Option:

- Individual configuration of the valve (see diagram)
- Comprehensive range of accessories available



Inch	DN [mm]	PN [bar]	kv-value ( $\Delta p=1$ bar) [l/min]	EPDM Code	PTFE/EPDM Code
½	15	10	125	167 647 912	167 647 932
¾	20	10	271	167 647 913	167 647 933
1	25	10	481	167 647 914	167 647 934
1 ¼	32	10	759	167 647 915	167 647 935
1 ½	40	10	1263	167 647 916	167 647 936
2	50	10	1728	167 647 917	167 647 937

Inch	D [mm]	D1_G [inch]	D3 [mm]	D4 [mm]	D5 [mm]	L [mm]	L2 [mm]	H [mm]	H1 [mm]	H2 [mm]	H3 [mm]	H4 [mm]	H5 [mm]	H7 [mm]	M
½	68	⅝	95	70	15	110	25	101	14	12	60	24	16	57	M6
¾	96	⅝	100	75	15	120	25	132	18	12	73	25	16	57	M6
1	96	⅝	125	90	19	130	25	143	22	12	84	25	16	69	M6
1 ¼	120	⅝	135	100	19	180	45	173	26	15	99	26	26	88	M8
1 ½	150	¾	140	105	19	180	45	214	32	15	119	36	26	103	M8
2	150	¾	155	120	19	210	45	226	39	15	132	36	26	103	M8

Inch	Lift = Hx [mm]
½	7
¾	10
1	13
1 ¼	15
1 ½	19
2	23





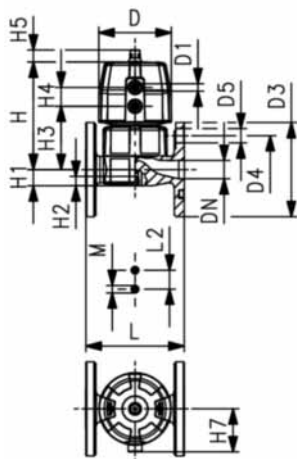
## PROGEF Standard Diaphragm valve DIASTAR Ten DA (Double acting) With fixed flanges PP-H JIS

### Model:

- Material: PP-H
- Double flow rate compared to predecessor
- One housing nut replaces four screws
- Rotating air connection at 90° intervals
- Flat sealing faces/serrated
- Connecting dimension: JIS B2238/39 10K

### Option:

- Individual configuration of the valve (see diagram)
- Comprehensive range of accessories available



Inch	DN [mm]	PN [bar]	kv-value ( $\Delta p=1$ bar) [l/min]	EPDM Code	PTFE/EPDM Code
1/2	15	10	125	<b>167 657 912</b>	<b>167 657 932</b>
3/4	20	10	271	<b>167 657 913</b>	<b>167 657 933</b>
1	25	10	481	<b>167 657 914</b>	<b>167 657 934</b>
1 1/4	32	10	759	<b>167 657 915</b>	<b>167 657 935</b>
1 1/2	40	10	1263	<b>167 657 916</b>	<b>167 657 936</b>
2	50	10	1728	<b>167 657 917</b>	<b>167 657 937</b>

Inch	D [mm]	D1_G [inch]	D3 [mm]	D4 [mm]	D5 [mm]	L [mm]	L2 [mm]	H [mm]	H1 [mm]	H2 [mm]	H3 [mm]	H4 [mm]	H5 [mm]	H7 [mm]	M
1/2	68	1/8	95	70	15	110	25	101	14	12	60	24	16	57	M6
3/4	96	1/8	100	75	15	120	25	132	18	12	73	25	16	57	M6
1	96	1/8	125	90	19	130	25	143	22	12	84	25	16	69	M6
1 1/4	120	1/8	135	100	19	180	45	173	26	15	99	26	26	88	M8
1 1/2	150	1/4	140	105	19	180	45	214	32	15	119	36	26	103	M8
2	150	1/4	155	120	19	210	45	226	39	15	132	36	26	103	M8

Inch	Lift = Hx [mm]
1/2	7
3/4	10
1	13
1 1/4	15
1 1/2	19
2	23



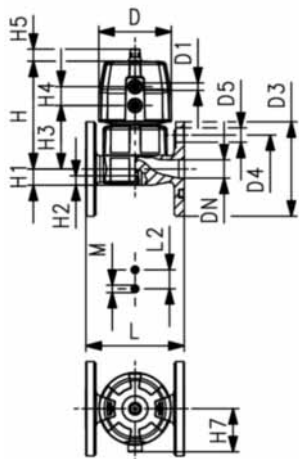
## PROGEF Standard Diaphragm valve DIASTAR Sixteen FC (Fail safe to close) With fixed flanges PP-H JIS

### Model:

- Material: PP-H
- Double flow rate compared to predecessor
- One housing nut replaces four screws
- Rotating air connection at 90° intervals
- Flat sealing faces/serrated
- Connecting dimension: JIS B2238/39 10K

### Option:

- Individual configuration of the valve (see diagram)
- Comprehensive range of accessories available



Inch	DN [mm]	PN [bar]	kv-value ( $\Delta p=1$ bar) [l/min]	EPDM Code	PTFE/EPDM Code
½	15	10	125	<b>167 637 912</b>	<b>167 637 932</b>
¾	20	10	271	<b>167 637 913</b>	<b>167 637 933</b>
1	25	10	481	<b>167 637 914</b>	<b>167 637 934</b>
1 ¼	32	10	759	<b>167 637 915</b>	<b>167 637 935</b>
1 ½	40	10	1263	<b>167 637 916</b>	<b>167 637 936</b>
2	50	10	1728	<b>167 637 917</b>	<b>167 637 937</b>

Inch	D [mm]	D1_G [inch]	D3 [mm]	D4 [mm]	D5 [mm]	L [mm]	L2 [mm]	H [mm]	H1 [mm]	H2 [mm]	H3 [mm]	H4 [mm]	H5 [mm]	H7 [mm]	M
½	96	⅝	95	70	15	110	25	127	14	12	68	25	16	57	M6
¾	96	⅝	100	75	15	120	25	132	18	12	73	25	16	57	M6
1	120	⅝	125	90	19	130	25	167	22	12	93	26	26	69	M6
1 ¼	150	¾	135	100	19	180	45	196	26	15	101	36	26	88	M8
1 ½	180	¾	140	105	19	180	45	239	32	15	124	37	26	103	M8
2	180	¾	155	120	19	210	45	251	39	15	137	37	26	103	M8

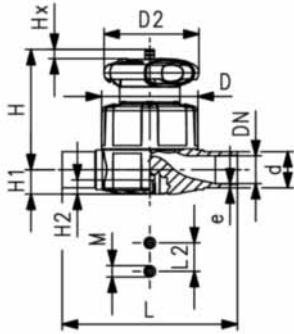
Inch	Lift = Hx [mm]
½	7
¾	10
1	13
1 ¼	15
1 ½	19
2	23

# Diaphragm valves new generation

## PROGEF Natural

### Diaphragm valve type 515

#### With butt fusion spigots SDR11 metric



#### Model:

- Material: PP-R unpigmented
- Double flow rate compared to predecessor
- One housing nut replaces four screws
- Handwheel with built-in locking mechanism
- Overall length EN 558

#### Option:

- Individual configuration of the valve (see diagram)
- Self adjusting multifunctional module with integrated limit switches

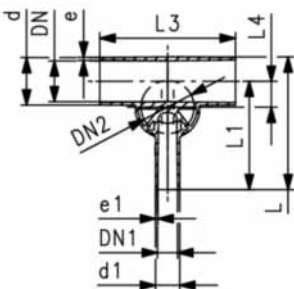
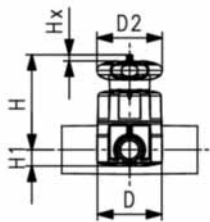
d [mm]	DN [mm]	PN	kv-value (Δp=1 bar) [l/min]	EPDM Code	PTFE/EPDM Code
20	15	10	125	<b>168 515 112</b>	<b>168 515 132</b>
25	20	10	271	<b>168 515 113</b>	<b>168 515 133</b>
32	25	10	481	<b>168 515 114</b>	<b>168 515 134</b>
40	32	10	759	<b>168 515 115</b>	<b>168 515 135</b>
50	40	10	1263	<b>168 515 116</b>	<b>168 515 136</b>
63	50	10	1728	<b>168 515 117</b>	<b>168 515 137</b>

d [mm]	D [mm]	D2 [mm]	L [mm]	L2 [mm]	H [mm]	H1 [mm]	H2 [mm]	M	Lift = Hx [mm]
20	65	65	124	25	73	14	12	M6	7
25	80	65	144	25	81	18	12	M6	10
32	88	87	155	25	107	22	12	M6	13
40	101	87	176	45	115	26	15	M8	15
50	117	135	193	45	148	32	15	M8	19
63	144	135	223	45	166	39	15	M8	25

## PROGEF Natural

### Diaphragm valve type 519

#### With butt fusion spigots SDR11 metric



#### Model:

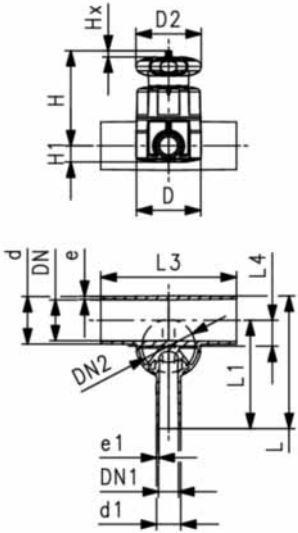
- Material: PP-R unpigmented
- Double flow rate compared to predecessor
- One housing nut replaces four screws
- Handwheel with built-in locking mechanism
- Smallest possible dead space

#### Option:

- Individual configuration of the valve (see diagram)
- Self adjusting multifunctional module with integrated limit switches

d [mm]	d1 [mm]	DN [mm]	DN1 [mm]	DN2 [mm]	PN	kv-value (Δp=1 bar) [l/min]	EPDM Code	PTFE/EPDM Code
20	20	15	15	15	10	57	<b>168 519 101</b>	<b>168 519 301</b>
25	20	20	15	20	10	89	<b>168 519 103</b>	<b>168 519 303</b>
25	25	20	20	20	10	118	<b>168 519 104</b>	<b>168 519 304</b>
32	20	25	15	20	10	80	<b>168 519 107</b>	<b>168 519 307</b>
32	25	25	20	20	10	105	<b>168 519 108</b>	<b>168 519 308</b>
32	32	25	25	25	10	231	<b>168 519 109</b>	<b>168 519 309</b>
40	20	32	15	25	10	85	<b>168 519 112</b>	<b>168 519 312</b>
50	20	40	15	20	10	86	<b>168 519 118</b>	<b>168 519 318</b>
50	25	40	20	25	10	160	<b>168 519 119</b>	<b>168 519 319</b>
50	32	40	25	25	10	206	<b>168 519 120</b>	<b>168 519 320</b>
63	20	50	15	20	10	84	<b>168 519 125</b>	<b>168 519 325</b>
63	25	50	20	25	10	150	<b>168 519 126</b>	<b>168 519 326</b>
63	32	50	25	25	10	184	<b>168 519 127</b>	<b>168 519 327</b>

table continued next page



d [mm]	D [mm]	D2 [mm]	L [mm]	L1 [mm]	L3 [mm]	L4 [mm]	H [mm]	Lift = Hx [mm]	e [mm]	e1 [mm]
20	65	65	117	96	162	12	75	7	1.9	1.9
25	80	65	133	108	162	16	80	10	2.3	1.9
25	80	65	133	108	162	16	80	10	2.3	2.3
32	80	65	142	120	162	19	84	10	2.9	1.9
32	80	65	142	120	162	19	84	10	2.9	2.3
32	88	87	145	120	160	19	107	13	2.9	2.9
40	88	87	149	128	180	23	115	13	3.7	1.9
50	80	65	160	134	180	27	97	10	4.6	1.9
50	88	87	160	134	180	28	120	13	4.6	2.3
50	88	87	160	134	180	28	120	13	4.6	2.9
63	80	65	177	144	180	33	104	10	5.8	1.9
63	88	87	177	144	180	35	127	13	5.8	2.3
63	88	87	177	144	180	35	127	13	5.8	2.9

# Diaphragm valves pneumatic

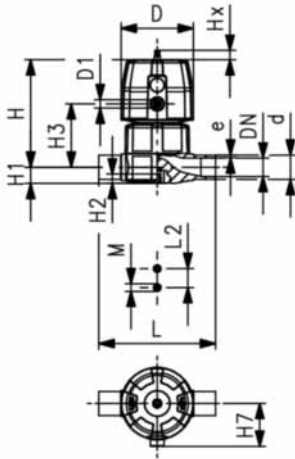
## New generation

### PROGEF Natural

#### Diaphragm valve DIASTAR Six

#### FC (Fail safe to close)

#### With butt fusion spigots SDR11 metric



**Model:**

- Material: PP-R unpigmented
- Double flow rate compared to predecessor
- One housing nut replaces four screws
- Rotating air connection at 90° intervals

**Option:**

- Individual configuration of the valve (see diagram)

d [mm]	DN [mm]	PN	kv-value ( $\Delta p=1$ bar) [l/min]	EPDM Code
20	15	6	125	<b>168 615 112</b>
25	20	6	271	<b>168 615 113</b>
32	25	6	481	<b>168 615 114</b>
40	32	6	759	<b>168 615 115</b>
50	40	6	1263	<b>168 615 116</b>
63	50	6	1728	<b>168 615 117</b>

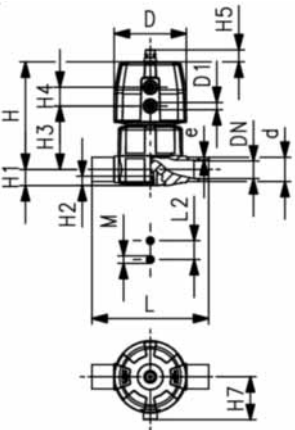
d [mm]	D [mm]	D1_G [inch]	L [mm]	L2 [mm]	H [mm]	H1 [mm]	H2 [mm]	H3 [mm]	H7 [mm]	M	Lift = Hx [mm]	e [mm]
20	68	1/8	124	25	101	14	12	60	43	M6	7	1.9
25	96	1/8	144	25	132	18	12	73	57	M6	10	2.3
32	96	1/8	154	25	143	22	12	84	57	M6	13	2.9
40	120	1/8	174	45	173	26	15	99	69	M8	14	3.7
50	120	1/8	194	45	193	32	15	119	69	M8	16	4.6
63	120	1/8	224	45	205	39	15	132	69	M8	16	5.8

### PROGEF Natural

#### Diaphragm valve DIASTAR Ten

#### FC (Fail safe to close)

#### With butt fusion spigots SDR11 metric



**Model:**

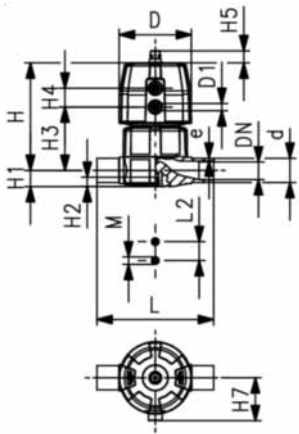
- Material: PP-R unpigmented
- Double flow rate compared to predecessor
- One housing nut replaces four screws
- Rotating air connection at 90° intervals

**Option:**

- Individual configuration of the valve (see diagram)
- Comprehensive range of accessories available

d [mm]	DN [mm]	PN [bar]	kv-value ( $\Delta p=1$ bar) [l/min]	EPDM Code
20	15	10	125	<b>168 625 112</b>
25	20	10	271	<b>168 625 113</b>
32	25	10	481	<b>168 625 114</b>
40	32	10	759	<b>168 625 115</b>
50	40	10	1263	<b>168 625 116</b>
63	50	10	1728	<b>168 625 117</b>

table continued next page



d [mm]	D [mm]	D1_G [inch]	L [mm]	L2 [mm]	H [mm]	H1 [mm]	H2 [mm]	H3 [mm]	H4 [mm]	H5 [mm]	H7 [mm]	M	Lift = Hx [mm]	e [mm]
20	68	1/8	124	25	101	14	12	60	24	16	43	M6	7	1.9
25	96	1/8	144	25	132	18	12	73	25	16	57	M6	10	2.3
32	96	1/8	154	25	143	22	12	84	25	16	57	M6	13	2.9
40	120	1/8	174	45	173	26	15	99	26	26	69	M8	15	3.7
50	150	1/4	194	45	214	32	15	119	36	26	88	M8	19	4.6
63	150	1/4	224	45	226	39	15	132	36	26	88	M8	23	5.8



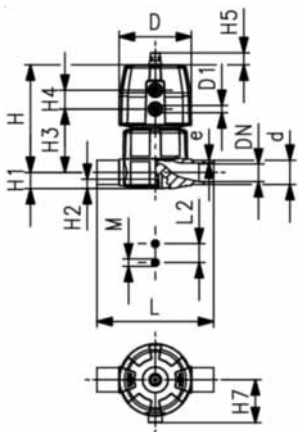
## PROGEF Natural Diaphragm valve DIASTAR Ten FO (Fail safe to open) With butt fusion spigots SDR11 metric

### Model:

- Material: PP-R unpigmented
- Double flow rate compared to predecessor
- One housing nut replaces four screws
- Rotating air connection at 90° intervals

### Option:

- Individual configuration of the valve (see diagram)
- Comprehensive range of accessories available



d [mm]	DN [mm]	PN [bar]	kv-value ( $\Delta p=1$ bar) [l/min]	EPDM Code
20	15	10	125	<b>168 645 112</b>
25	20	10	271	<b>168 645 113</b>
32	25	10	481	<b>168 645 114</b>
40	32	10	759	<b>168 645 115</b>
50	40	10	1263	<b>168 645 116</b>
63	50	10	1728	<b>168 645 117</b>

d [mm]	D [mm]	D1_G [inch]	L [mm]	L2 [mm]	H [mm]	H1 [mm]	H2 [mm]	H3 [mm]	H4 [mm]	H5 [mm]	H7 [mm]	M	Lift = Hx [mm]	e [mm]
20	68	1/8	124	25	101	14	12	60	24	16	43	M6	7	1.9
25	96	1/8	144	25	132	18	12	73	25	16	57	M6	10	2.3
32	96	1/8	154	25	143	22	12	84	25	16	57	M6	13	2.9
40	120	1/8	174	45	173	26	15	99	26	26	69	M8	15	3.7
50	150	1/4	194	45	214	32	15	119	36	26	88	M8	19	4.6
63	150	1/4	224	45	226	39	15	132	36	26	88	M8	23	5.8



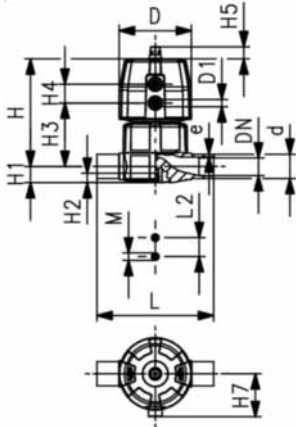
## PROGEF Natural Diaphragm valve DIASTAR Ten DA (Double acting) With butt fusion spigots SDR11 metric

### Model:

- Material: PP-R unpigmented
- Double flow rate compared to predecessor
- One housing nut replaces four screws
- Rotating air connection at 90° intervals

### Option:

- Individual configuration of the valve (see diagram)
- Comprehensive range of accessories available



d [mm]	DN [mm]	PN [bar]	kv-value ( $\Delta p=1$ bar) [l/min]	EPDM Code
20	15	10	125	<b>168 655 112</b>
25	20	10	271	<b>168 655 113</b>
32	25	10	481	<b>168 655 114</b>
40	32	10	759	<b>168 655 115</b>
50	40	10	1263	<b>168 655 116</b>
63	50	10	1728	<b>168 655 117</b>

d [mm]	D [mm]	D1_G [inch]	L [mm]	L2 [mm]	H [mm]	H1 [mm]	H2 [mm]	H3 [mm]	H4 [mm]	H5 [mm]	H7 [mm]	M	Lift = Hx [mm]	e [mm]
20	68	1/8	124	25	101	14	12	60	24	16	43	M6	7	1.9
25	96	1/8	144	25	132	18	12	73	25	16	57	M6	10	2.3
32	96	1/8	154	25	143	22	12	84	25	16	57	M6	13	2.9
40	120	1/8	174	45	173	26	15	99	26	26	69	M8	15	3.7
50	150	1/4	194	45	214	32	15	119	36	26	88	M8	19	4.6
63	150	1/4	224	45	226	39	15	132	36	26	88	M8	23	5.8



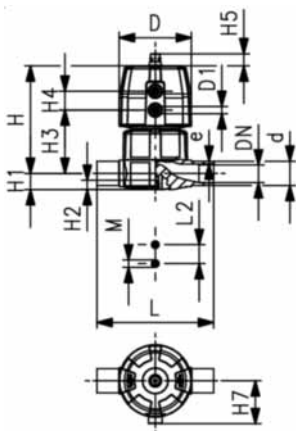
## PROGEF Natural Diaphragm valve DIASTAR Sixteen FC (Fail safe to close) With butt fusion spigots SDR11 metric

### Model:

- Material: PP-R unpigmented
- Double flow rate compared to predecessor
- One housing nut replaces four screws
- Rotating air connection at 90° intervals

### Option:

- Individual configuration of the valve (see diagram)
- Comprehensive range of accessories available

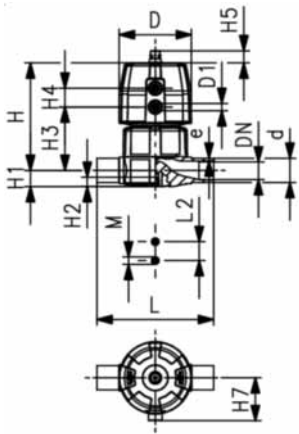


d [mm]	DN [mm]	PN [bar]	kv-value ( $\Delta p=1$ bar) [l/min]	EPDM Code
20	15	10	125	<b>168 635 112</b>
25	20	10	271	<b>168 635 113</b>
32	25	10	481	<b>168 635 114</b>
40	32	10	759	<b>168 635 115</b>
50	40	10	1263	<b>168 635 116</b>
63	50	10	1728	<b>168 635 117</b>

d [mm]	D [mm]	D1_G [inch]	L [mm]	L2 [mm]	H [mm]	H1 [mm]	H2 [mm]	H3 [mm]	H4 [mm]	H5 [mm]	H7 [mm]	M	Lift = Hx [mm]	e [mm]
20	96	1/8	124	25	127	14	12	68	25	16	57	M6	7	1.9
25	96	1/8	144	25	132	18	12	73	25	16	57	M6	10	2.3
32	120	1/8	154	25	167	22	12	93	26	26	69	M6	13	2.9

table continued next page





d [mm]	D [mm]	D1_G [inch]	L [mm]	L2 [mm]	H [mm]	H1 [mm]	H2 [mm]	H3 [mm]	H4 [mm]	H5 [mm]	H7 [mm]	M	Lift = Hx [mm]	e [mm]
40	150	¼	174	45	196	26	15	101	36	26	88	M8	15	3.7
50	180	¼	194	45	239	32	15	124	37	26	103	M8	19	4.6
63	180	¼	224	45	251	39	15	137	37	26	103	M8	23	5.8



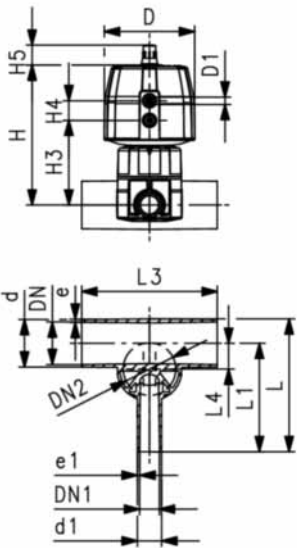
## PROGEF Natural Diaphragm valve DIASTAR Sixteen FC (Fail safe to close) With butt fusion spigots SDR11 metric

### Model:

- Material: PP-R unpigmented
- Double flow rate compared to predecessor
- One housing nut replaces four screws
- Rotating air connection at 90° intervals
- Smallest possible dead space

### Option:

- Individual configuration of the valve (see diagram)
- Comprehensive range of accessories available

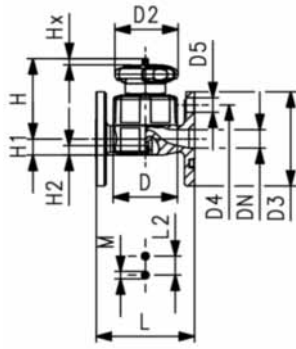


d [mm]	d1 [mm]	DN [mm]	DN1 [mm]	DN2 [mm]	PN [bar]	kv-value (Δp=1 bar) [l/min]	EPDM Code	PTFE/EPDM Code
20	20	15	15	15	10	57	168 639 101	168 639 301
25	20	20	15	20	10	89	168 639 103	168 639 303
25	25	20	20	20	10	118	168 639 104	168 639 304
32	20	25	15	20	10	80	168 639 107	168 639 307
32	25	25	20	20	10	105	168 639 108	168 639 308
32	32	25	25	25	10	231	168 639 109	168 639 309
40	20	32	15	25	10	85	168 639 112	168 639 312
50	20	40	15	20	10	86	168 639 118	168 639 318
50	25	40	20	25	10	160	168 639 119	168 639 319
50	32	40	25	25	10	206	168 639 120	168 639 320
63	20	50	15	20	10	84	168 639 125	168 639 325
63	25	50	20	25	10	150	168 639 126	168 639 326
63	32	50	25	25	10	184	168 639 127	168 639 327

d [mm]	D [mm]	D1 [inch]	L [mm]	L1 [mm]	L3 [mm]	L4 [mm]	H [mm]	H3 [mm]	H4 [mm]	H5 [mm]	Lift = Hx [mm]	e [mm]	e1 [mm]
20	96	¾	117	96	162	12	130	71	25	16	7	1.9	1.9
25	96	¾	133	108	162	16	131	72	25	16	10	2.3	1.9
25	96	¾	133	108	162	16	131	72	25	16	10	2.3	2.3
32	96	¾	142	120	162	19	135	76	25	16	10	2.9	1.9
32	96	¾	142	120	162	19	135	76	25	16	10	2.9	2.3
32	120	¾	145	120	160	19	167	93	26	26	13	2.9	2.9
40	120	¾	149	128	180	23	175	101	26	26	13	3.7	1.9
50	96	¾	160	134	180	27	148	90	25	16	10	4.6	1.9
50	120	¾	160	134	180	28	180	106	26	26	13	4.6	2.3
50	120	¾	160	134	180	28	180	106	26	26	13	4.6	2.9
63	96	¾	177	144	180	33	155	96	25	16	10	5.8	1.9
63	120	¾	177	144	180	35	187	113	26	26	13	5.8	2.3
63	120	¾	177	144	180	35	187	113	26	26	13	5.8	2.9

# Diaphragm valves new generation

## PROGEF Plus oil free Diaphragm valve type 517 With fixed flanges PP-H JIS



### Model:

- Material: PP-H / oil free cleaned
- Double flow rate compared to predecessor
- One housing nut replaces four screws
- Handwheel with built-in locking mechanism
- Connecting dimension: JIS B2238/39 10K
- Flat sealing faces/serrated

### Option:

- Individual configuration of the valve (see diagram)
- Self adjusting multifunctional module with integrated limit switches

Inch	DN [mm]	PN	kv-value ( $\Delta p=1$ bar) [l/min]	EPDM Code	PTFE/EPDM Code
½	15	10	125		<b>167 517 972</b>
¾	20	10	271		<b>167 517 973</b>
1	25	10	481		<b>167 517 974</b>
1 ¼	32	10	759		<b>167 517 975</b>
1 ½	40	10	1263		<b>167 517 976</b>
2	50	10	1728		<b>167 517 977</b>

Inch	D [mm]	D2 [mm]	D3 [mm]	D4 [mm]	D5 [mm]	L [mm]	L2 [mm]	H [mm]	H1 [mm]	H2 [mm]	M	Lift = Hx [mm]
½	65	65	95	70	15	110	25	73	14	12	M6	7
¾	80	65	100	75	15	120	25	81	18	12	M6	10
1	88	87	125	90	19	130	25	107	22	12	M6	13
1 ¼	101	87	135	100	19	180	45	115	26	15	M8	15
1 ½	117	135	140	105	19	180	45	148	32	15	M8	19
2	144	135	155	120	19	210	45	166	39	15	M8	25

# Diaphragm valves pneumatic

## New generation

### PROGEF Plus oil free Diaphragm valve DIASTAR Six FC (Fail safe to close) With fixed flanges PP-H JIS

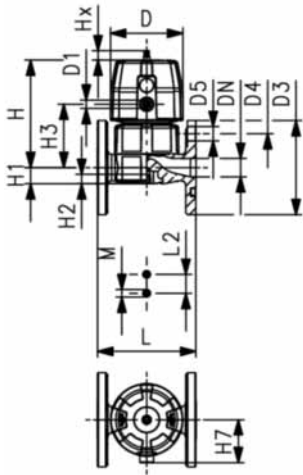


#### Model:

- Material: PP-H / oil free cleaned
- Double flow rate compared to predecessor
- One housing nut replaces four screws
- Rotating air connection at 90° intervals
- Flat sealing faces/serrated
- Connecting dimension: JIS B2238/39 10K

#### Option:

- Individual configuration of the valve (see diagram)



Inch	DN [mm]	PN	kv-value ( $\Delta p=1$ bar) [l/min]	EPDM Code
1/2	15	6	125	<b>167 617 922</b>
3/4	20	6	271	<b>167 617 923</b>
1	25	6	481	<b>167 617 924</b>
1 1/4	32	6	759	<b>167 617 925</b>
1 1/2	40	6	1263	<b>167 617 926</b>
2	50	6	1728	<b>167 617 927</b>

Inch	D [mm]	D1_G [inch]	D3 [mm]	D4 [mm]	D5 [mm]	L [mm]	L2 [mm]	H [mm]	H1 [mm]	H2 [mm]	H3 [mm]	H7 [mm]	M	Lift = Hx [mm]
1/2	68	1/8	95	70	15	110	25	101	14	12	60	43	M6	7
3/4	96	1/8	100	75	15	120	25	132	18	12	73	57	M6	10
1	96	1/8	125	90	19	130	25	143	22	12	84	69	M6	13
1 1/4	120	1/8	135	100	19	180	45	173	26	15	99	69	M8	14
1 1/2	120	1/8	140	105	19	180	45	193	32	15	119	69	M8	16
2	120	1/8	155	120	19	210	45	205	39	15	132	69	M8	16



## PROGEF Plus oil free Diaphragm valve DIASTAR Ten FC (Fail safe to close) With fixed flanges PP-H JIS

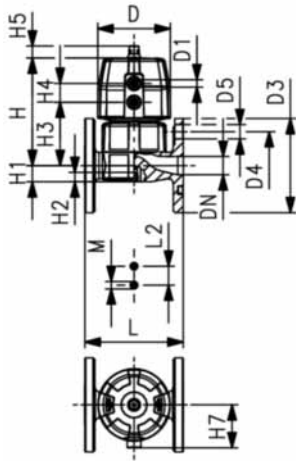
### Model:

- Material: PP-H / oil free cleaned
- Double flow rate compared to predecessor
- One housing nut replaces four screws
- Rotating air connection at 90° intervals
- Connecting dimension: JIS B2238/39 10K
- Flat sealing faces/serrated

### Option:

- Individual configuration of the valve (see diagram)
- Comprehensive range of accessories available

\* PN: PTFE/EPDM



Inch	DN [mm]	PN [bar]	kv-value ( $\Delta p=1$ bar) [l/min]	EPDM Code	PTFE/EPDM Code
1/2	15	10/10*	125	<b>167 627 922</b>	<b>167 627 972</b>
3/4	20	10/10*	271	<b>167 627 923</b>	<b>167 627 973</b>
1	25	10/10*	481	<b>167 627 924</b>	<b>167 627 974</b>
1 1/4	32	10/10*	759	<b>167 627 925</b>	<b>167 627 975</b>
1 1/2	40	10/10*	1263	<b>167 627 926</b>	<b>167 627 976</b>
2	50	10/6*	1728	<b>167 627 927</b>	<b>167 627 977</b>

Inch	D [mm]	D1_G [inch]	D3 [mm]	D4 [mm]	D5 [mm]	L [mm]	L2 [mm]	H [mm]	H1 [mm]	H2 [mm]	H3 [mm]	H4 [mm]	H5 [mm]	H7 [mm]	M
1/2	68	1/8	95	70	15	110	25	101	14	12	60	24	16	43	M6
3/4	96	1/8	100	75	15	120	25	132	18	12	73	25	16	57	M6
1	96	1/8	125	90	19	130	25	143	22	12	84	25	16	69	M6
1 1/4	120	1/8	135	100	19	180	45	173	26	15	99	26	26	69	M8
1 1/2	150	1/4	140	105	19	180	45	193	32	15	119	36	26	88	M8
2	150	1/4	155	120	19	210	45	205	39	15	132	36	26	88	M8

Inch	Lift = Hx [mm]
1/2	7
3/4	10
1	13
1 1/4	15
1 1/2	19
2	23



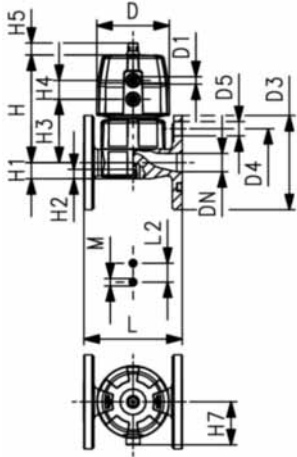
## PROGEF Plus oil free Diaphragm valve DIASTAR Ten FO (Fail safe to open) With fixed flanges PP-H JIS

### Model:

- Material: PP-H / oil free cleaned
- Double flow rate compared to predecessor
- One housing nut replaces four screws
- Rotating air connection at 90° intervals
- Flat sealing faces/serrated
- Connecting dimension: JIS B2238/39 10K

### Option:

- Individual configuration of the valve (see diagram)
- Comprehensive range of accessories available



Inch	DN [mm]	PN [bar]	kv-value ( $\Delta p=1$ bar) [l/min]	EPDM Code	PTFE/EPDM Code
½	15	10	125	167 647 922	167 647 972
¾	20	10	271	167 647 923	167 647 973
1	25	10	481	167 647 924	167 647 974
1 ¼	32	10	759	167 647 925	167 647 975
1 ½	40	10	1263	167 647 926	167 647 976
2	50	10	1728	167 647 927	167 647 977

Inch	D [mm]	D1_G [inch]	D3 [mm]	D4 [mm]	D5 [mm]	L [mm]	L2 [mm]	H [mm]	H1 [mm]	H2 [mm]	H3 [mm]	H4 [mm]	H5 [mm]	H7 [mm]	M
½	68	⅝	95	70	15	110	25	101	14	12	60	24	16	57	M6
¾	96	⅝	100	75	15	120	25	132	18	12	73	25	16	57	M6
1	96	⅝	125	90	19	130	25	143	22	12	84	25	16	69	M6
1 ¼	120	⅝	135	100	19	180	45	173	26	15	99	26	26	88	M8
1 ½	150	¾	140	105	19	180	45	214	32	15	119	36	26	103	M8
2	150	¾	155	120	19	210	45	226	39	15	132	36	26	103	M8

Inch	Lift = Hx [mm]
½	7
¾	10
1	13
1 ¼	15
1 ½	19
2	23



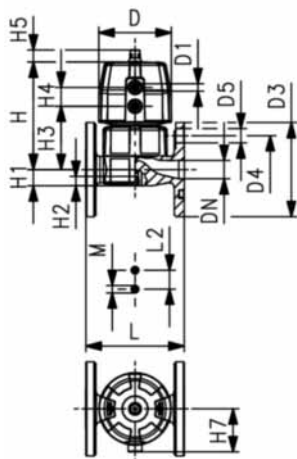
## PROGEF Plus oil free Diaphragm valve DIASTAR Ten DA (Double acting) With fixed flanges PP-H JIS

### Model:

- Material: PP-H / oil free cleaned
- Double flow rate compared to predecessor
- One housing nut replaces four screws
- Rotating air connection at 90° intervals
- Flat sealing faces/serrated
- Connecting dimension: JIS B2238/39 10K

### Option:

- Individual configuration of the valve (see diagram)
- Comprehensive range of accessories available



Inch	DN [mm]	PN [bar]	kv-value ( $\Delta p=1$ bar) [l/min]	EPDM Code	PTFE/EPDM Code
½	15	10	125	<b>167 657 922</b>	<b>167 657 972</b>
¾	20	10	271	<b>167 657 923</b>	<b>167 657 973</b>
1	25	10	481	<b>167 657 924</b>	<b>167 657 974</b>
1 ¼	32	10	759	<b>167 657 925</b>	<b>167 657 975</b>
1 ½	40	10	1263	<b>167 657 926</b>	<b>167 657 976</b>
2	50	10	1728	<b>167 657 927</b>	<b>167 657 977</b>

Inch	D [mm]	D1_G [inch]	D3 [mm]	D4 [mm]	D5 [mm]	L [mm]	L2 [mm]	H [mm]	H1 [mm]	H2 [mm]	H3 [mm]	H4 [mm]	H5 [mm]	H7 [mm]	M
½	68	⅜	95	70	15	110	25	101	14	12	60	24	16	57	M6
¾	96	⅝	100	75	15	120	25	132	18	12	73	25	16	57	M6
1	96	⅝	125	90	19	130	25	143	22	12	84	25	16	69	M6
1 ¼	120	⅞	135	100	19	180	45	173	26	15	99	26	26	88	M8
1 ½	150	⅞	140	105	19	180	45	214	32	15	119	36	26	103	M8
2	150	⅞	155	120	19	210	45	226	39	15	132	36	26	103	M8

Inch	Lift = Hx [mm]
½	7
¾	10
1	13
1 ¼	15
1 ½	19
2	23



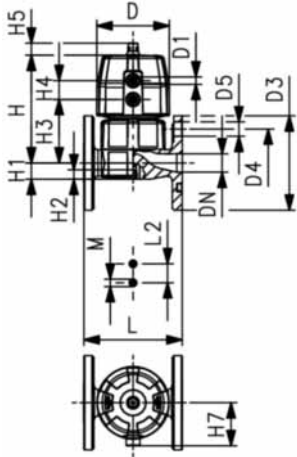
# PROGEF Plus oil free Diaphragm valve DIASTAR Sixteen FC (Fail safe to close) With fixed flanges PP-H JIS

## Model:

- Material: PP-H / oil free cleaned
- Double flow rate compared to predecessor
- One housing nut replaces four screws
- Rotating air connection at 90° intervals
- Flat sealing faces/serrated
- Connecting dimension: JIS B2238/39 10K

## Option:

- Individual configuration of the valve (see diagram)
- Comprehensive range of accessories available



Inch	DN [mm]	PN [bar]	kv-value ( $\Delta p=1$ bar) [l/min]	EPDM Code	PTFE/EPDM Code
1/2	15	10	125	<b>167 637 922</b>	<b>167 637 972</b>
3/4	20	10	271	<b>167 637 923</b>	<b>167 637 973</b>
1	25	10	481	<b>167 637 924</b>	<b>167 637 974</b>
1 1/4	32	10	759	<b>167 637 925</b>	<b>167 637 975</b>
1 1/2	40	10	1263	<b>167 637 926</b>	<b>167 637 976</b>
2	50	10	1728	<b>167 637 927</b>	<b>167 637 977</b>

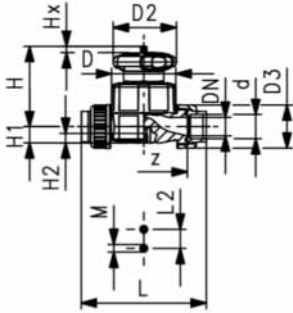
Inch	D [mm]	D1_G [inch]	D3 [mm]	D4 [mm]	D5 [mm]	L [mm]	L2 [mm]	H [mm]	H1 [mm]	H2 [mm]	H3 [mm]	H4 [mm]	H5 [mm]	H7 [mm]	M
1/2	96	3/8	95	70	15	110	25	127	14	12	68	25	16	57	M6
3/4	96	3/8	100	75	15	120	25	132	18	12	73	25	16	57	M6
1	120	3/8	125	90	19	130	25	167	22	12	93	26	26	69	M6
1 1/4	150	1/4	135	100	19	180	45	196	26	15	101	36	26	88	M8
1 1/2	180	1/4	140	105	19	180	45	239	32	15	124	37	26	103	M8
2	180	1/4	155	120	19	210	45	251	39	15	137	37	26	103	M8

Inch	Lift = Hx [mm]
1/2	7
3/4	10
1	13
1 1/4	15
1 1/2	19
2	23



# Diaphragm valves new generation

## PROGEF Plus silicone free Diaphragm valve type 514 With fusion sockets metric



### Model:

- Material: PP-H / silicone free cleaned
- Double flow rate compared to predecessor
- One housing nut replaces four screws
- Handwheel with built-in locking mechanism
- For easy installation and removal
- Short overall length

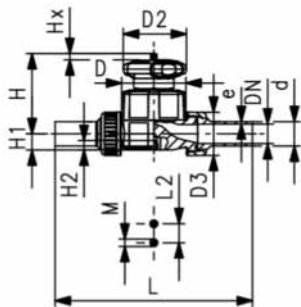
### Option:

- Individual configuration of the valve (see diagram)
- Self adjusting multifunctional module with integrated limit switches

d [mm]	DN [mm]	PN	kv-value ( $\Delta p=1$ bar) [l/min]	EPDM Code	PTFE/EPDM Code
20	15	10	125	167 514 022	167 514 072
25	20	10	271	167 514 023	167 514 073
32	25	10	481	167 514 024	167 514 074
40	32	10	759	167 514 025	167 514 075
50	40	10	1263	167 514 026	167 514 076
63	50	10	1728	167 514 027	167 514 077

d [mm]	D [mm]	D2 [mm]	D3 [mm]	L [mm]	L2 [mm]	H [mm]	H1 [mm]	H2 [mm]	M	z [mm]	Lift = Hx [mm]
20	65	65	43	128	25	73	14	12	M6	100	7
25	80	65	51	150	25	81	18	12	M6	118	10
32	88	87	58	162	25	107	22	12	M6	126	13
40	101	87	72	184	45	115	26	15	M8	144	15
50	117	135	83	210	45	148	32	15	M8	164	19
63	144	135	100	248	45	166	39	15	M8	194	25

## PROGEF Plus silicone free Diaphragm valve type 514 With butt fusion spigots SDR11 metric



### Model:

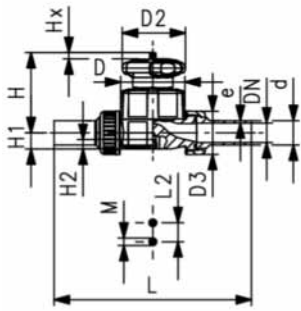
- Material: PP-H / silicone free cleaned
- Double flow rate compared to predecessor
- One housing nut replaces four screws
- Handwheel with built-in locking mechanism
- For easy installation and removal
- Short overall length

### Option:

- Individual configuration of the valve (see diagram)
- Self adjusting multifunctional module with integrated limit switches

d [mm]	DN [mm]	PN	kv-value ( $\Delta p=1$ bar) [l/min]	EPDM Code	PTFE/EPDM Code
20	15	10	125	167 514 122	167 514 172
25	20	10	271	167 514 123	167 514 173
32	25	10	481	167 514 124	167 514 174
40	32	10	759	167 514 125	167 514 175
50	40	10	1263	167 514 126	167 514 176
63	50	10	1728	167 514 127	167 514 177

table continued next page



d [mm]	D [mm]	D2 [mm]	D3 [mm]	L [mm]	L2 [mm]	H [mm]	H1 [mm]	H2 [mm]	M	Lift = Hx [mm]	e [mm]
20	65	65	43	196	25	73	14	12	M6	7	1,9
25	80	65	51	221	25	81	18	12	M6	10	2,3
32	88	87	58	234	25	107	22	12	M6	13	2,9
40	101	87	72	260	45	115	26	15	M8	15	3,7
50	117	135	83	284	45	148	32	15	M8	19	4,6
63	144	135	100	321	45	166	39	15	M8	25	5,8



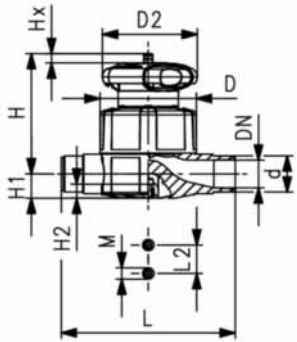
## PROGEF Plus silicone free Diaphragm valve type 515 With socket fusion spigots metric

### Model:

- Material: PP-H / silicone free cleaned
- Double flow rate compared to predecessor
- One housing nut replaces four screws
- Handwheel with built-in locking mechanism
- Overall length EN 558

### Option:

- Individual configuration of the valve (see diagram)
- Self adjusting multifunctional module with integrated limit switches



d [mm]	DN [mm]	PN	kv-value ( $\Delta p=1$ bar) [l/min]	EPDM Code	PTFE/EPDM Code
20	15	10	125	<b>167 515 022</b>	<b>167 515 072</b>
25	20	10	271	<b>167 515 023</b>	<b>167 515 073</b>
32	25	10	481	<b>167 515 024</b>	<b>167 515 074</b>
40	32	10	759	<b>167 515 025</b>	<b>167 515 075</b>
50	40	10	1263	<b>167 515 026</b>	<b>167 515 076</b>
63	50	10	1728	<b>167 515 027</b>	<b>167 515 077</b>

d [mm]	D [mm]	D2 [mm]	L [mm]	L2 [mm]	H [mm]	H1 [mm]	H2 [mm]	M	Lift = Hx [mm]	e [mm]
20	65	65	124	25	73	14	12	M6	7	1.9
25	80	65	144	25	81	18	12	M6	10	2.3
32	88	87	154	25	107	22	12	M6	13	2.9
40	101	87	174	45	115	26	15	M8	15	3.7
50	117	135	194	45	148	32	15	M8	19	4.6
63	144	135	223	45	166	39	15	M8	25	5.8



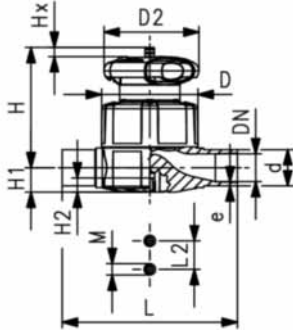
## PROGEF Plus silicone free Diaphragm valve type 515 With butt fusion spigots SDR11 metric

### Model:

- Material: PP-H / silicone free cleaned
- Double flow rate compared to predecessor
- One housing nut replaces four screws
- Handwheel with built-in locking mechanism
- Overall length EN 558

### Option:

- Individual configuration of the valve (see diagram)
- Self adjusting multifunctional module with integrated limit switches



d [mm]	DN [mm]	PN	kv-value ( $\Delta p=1$ bar) [l/min]	EPDM Code	PTFE/EPDM Code
20	15	10	125	<b>167 515 122</b>	<b>167 515 172</b>
25	20	10	271	<b>167 515 123</b>	<b>167 515 173</b>
32	25	10	481	<b>167 515 124</b>	<b>167 515 174</b>
40	32	10	759	<b>167 515 125</b>	<b>167 515 175</b>
50	40	10	1263	<b>167 515 126</b>	<b>167 515 176</b>
63	50	10	1728	<b>167 515 127</b>	<b>167 515 177</b>

d [mm]	D [mm]	D2 [mm]	L [mm]	L2 [mm]	H [mm]	H1 [mm]	H2 [mm]	M	Lift = Hx [mm]	e [mm]
20	65	65	124	25	73	14	12	M6	7	1.9
25	80	65	144	25	81	18	12	M6	10	2.3
32	88	87	155	25	107	22	12	M6	13	2.9
40	101	87	176	45	115	26	15	M8	15	3.7
50	117	135	193	45	148	32	15	M8	19	4.6
63	144	135	223	45	166	39	15	M8	25	5.8



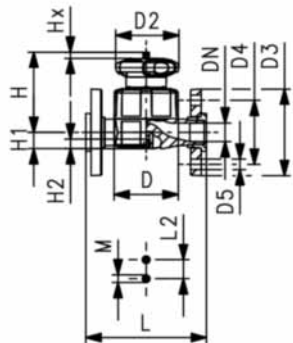
## PROGEF Plus silicone free Diaphragm valve type 517 With backing flanges PP-V metric/BS

### Model:

- Material: PP-H / silicone free cleaned
- Double flow rate compared to predecessor
- One housing nut replaces four screws
- Handwheel with built-in locking mechanism
- Overall length EN 558
- Connecting dimension: ISO 7005 PN 10, EN 1092 PN 10, DIN 2501 PN 10, BS 4504 PN 10
- Flat sealing faces/serrated

### Option:

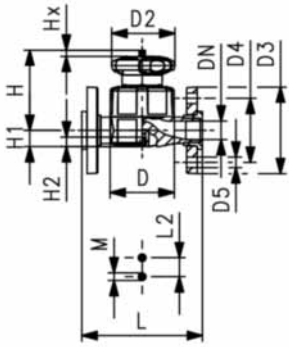
- Individual configuration of the valve (see diagram)
- Self adjusting multifunctional module with integrated limit switches



d [mm]	DN [mm]	PN	kv-value ( $\Delta p=1$ bar) [l/min]	EPDM Code	PTFE/EPDM Code
20	15	10	125	<b>167 517 122</b>	<b>167 517 172</b>
25	20	10	271	<b>167 517 123</b>	<b>167 517 173</b>
32	25	10	481	<b>167 517 124</b>	<b>167 517 174</b>
40	32	10	759	<b>167 517 125</b>	<b>167 517 175</b>
50	40	10	1263	<b>167 517 126</b>	<b>167 517 176</b>
63	50	10	1728	<b>167 517 127</b>	<b>167 517 177</b>

d [mm]	D [mm]	D2 [mm]	D3 [mm]	D4 [mm]	D5 [mm]	L [mm]	L2 [mm]	H [mm]	H1 [mm]	H2 [mm]	M	Lift = Hx [mm]
20	65	65	95	65	14	130	25	73	14	12	M6	7
25	80	65	105	75	14	150	25	81	18	12	M6	10
32	88	87	115	85	14	160	25	107	22	12	M6	13

table continued next page



d [mm]	D [mm]	D2 [mm]	D3 [mm]	D4 [mm]	D5 [mm]	L [mm]	L2 [mm]	H [mm]	H1 [mm]	H2 [mm]	M	Lift = Hx [mm]
40	101	87	140	100	18	180	45	115	26	15	M8	15
50	117	135	150	110	18	200	45	148	32	15	M8	19
63	144	135	165	125	18	230	45	166	39	15	M8	25



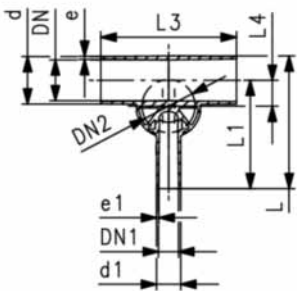
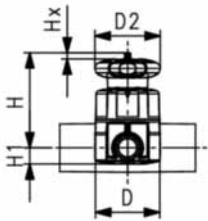
## PROGEF Plus silicone free Diaphragm valve type 519 With butt fusion spigots SDR11 metric

### Model:

- Material: PP-H / silicone free cleaned
- Double flow rate compared to predecessor
- One housing nut replaces four screws
- Handwheel with built-in locking mechanism
- Smallest possible dead space

### Option:

- Individual configuration of the valve (see diagram)
- Self adjusting multifunctional module with integrated limit switches



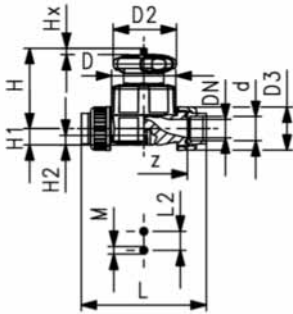
d [mm]	d1 [mm]	DN [mm]	DN1 [mm]	DN2 [mm]	PN	kv-value ( $\Delta p=1$ bar) [l/min]	EPDM Code	PTFE/EPDM Code
20	20	15	15	15	10	57	<b>167 519 201</b>	<b>167 519 701</b>
25	20	20	15	20	10	89	<b>167 519 203</b>	<b>167 519 703</b>
25	25	20	20	20	10	118	<b>167 519 204</b>	<b>167 519 704</b>
32	20	25	15	20	10	80	<b>167 519 207</b>	<b>167 519 707</b>
32	25	25	20	20	10	105	<b>167 519 208</b>	<b>167 519 708</b>
32	32	25	25	25	10	231	<b>167 519 209</b>	<b>167 519 709</b>
40	20	32	15	25	10	85	<b>167 519 212</b>	<b>167 519 712</b>
50	20	40	15	20	10	86	<b>167 519 218</b>	<b>167 519 718</b>
50	25	40	20	25	10	160	<b>167 519 219</b>	<b>167 519 719</b>
50	32	40	25	25	10	206	<b>167 519 220</b>	<b>167 519 720</b>
63	20	50	15	20	10	84	<b>167 519 225</b>	<b>167 519 725</b>
63	25	50	20	25	10	150	<b>167 519 226</b>	<b>167 519 726</b>
63	32	50	25	25	10	184	<b>167 519 227</b>	<b>167 519 727</b>

d [mm]	D [mm]	D2 [mm]	L [mm]	L1 [mm]	L3 [mm]	L4 [mm]	H [mm]	Lift = Hx [mm]	e [mm]	e1 [mm]
20	65	65	117	96	162	12	75	7	1.9	1.9
25	80	65	133	108	162	16	80	10	2.3	1.9
25	80	65	133	108	162	16	80	10	2.3	2.3
32	80	65	142	120	162	19	84	10	2.9	1.9
32	80	65	142	120	162	19	84	10	2.9	2.3
32	88	87	145	120	160	19	107	13	2.9	2.9
40	88	87	149	128	180	23	115	13	3.7	1.9
50	80	65	160	134	180	27	97	10	4.6	1.9
50	88	87	160	134	180	28	120	13	4.6	2.3
50	88	87	160	134	180	28	120	13	4.6	2.9
63	80	65	177	144	180	33	104	10	5.8	1.9
63	88	87	177	144	180	35	127	13	5.8	2.3
63	88	87	177	144	180	35	127	13	5.8	2.9

# Diaphragm valves new generation

## SYGEF Standard

### Diaphragm valve type 514 With fusion sockets metric



#### Model:

- Material: PVDF
- Double flow rate compared to predecessor
- One housing nut replaces four screws
- Handwheel with built-in locking mechanism
- For easy installation and removal
- Short overall length

#### Option:

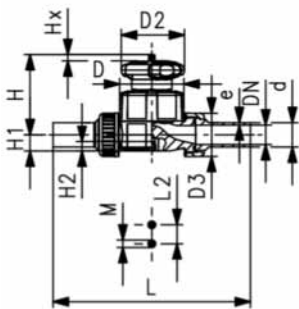
- Individual configuration of the valve (see diagram)
- Self adjusting multifunctional module with integrated limit switches

d [mm]	DN [mm]	PN	kv-value ( $\Delta p=1$ bar) [l/min]	PTFE/EPDM Code
20	15	16	125	<b>175 514 032</b>
25	20	16	271	<b>175 514 033</b>
32	25	16	481	<b>175 514 034</b>
40	32	16	759	<b>175 514 035</b>
50	40	16	1263	<b>175 514 036</b>
63	50	16	1728	<b>175 514 037</b>

d [mm]	D [mm]	D2 [mm]	D3 [mm]	L [mm]	L2 [mm]	H [mm]	H1 [mm]	H2 [mm]	M	z [mm]	Lift = Hx [mm]
20	65	65	43	128	25	73	14	12	M6	100	7
25	80	65	53	150	25	81	18	12	M6	118	10
32	88	87	60	162	25	107	22	12	M6	126	13
40	101	87	74	184	45	115	26	15	M8	144	15
50	117	135	82	210	45	148	32	15	M8	164	19
63	144	135	100	248	45	166	39	15	M8	194	25

## SYGEF Standard

### Diaphragm valve type 514 With butt fusion spigots metric



#### Model:

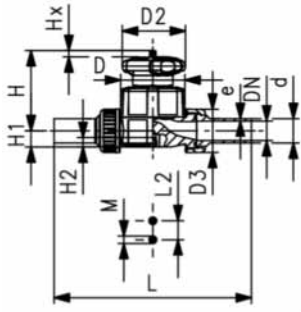
- Material: PVDF
- Double flow rate compared to predecessor
- One housing nut replaces four screws
- Handwheel with built-in locking mechanism
- For easy installation and removal
- Short overall length

#### Option:

- Individual configuration of the valve (see diagram)
- Self adjusting multifunctional module with integrated limit switches

d [mm]	DN [mm]	PN	kv-value ( $\Delta p=1$ bar) [l/min]	PTFE/EPDM Code
20	15	16	125	<b>175 514 132</b>
25	20	16	271	<b>175 514 133</b>
32	25	16	481	<b>175 514 134</b>
40	32	16	759	<b>175 514 135</b>
50	40	16	1263	<b>175 514 136</b>
63	50	16	1728	<b>175 514 137</b>

table continued next page



d [mm]	D [mm]	D2 [mm]	D3 [mm]	L [mm]	L2 [mm]	H [mm]	H1 [mm]	H2 [mm]	M	Lift = Hx [mm]	e [mm]
20	65	65	43	196	25	73	14	12	M6	7	1.9
25	80	65	53	221	25	81	18	12	M6	10	1.9
32	88	87	60	234	25	107	22	12	M6	13	2.4
40	101	87	74	260	45	115	26	15	M8	15	2.4
50	117	135	82	284	45	148	32	15	M8	19	3.0
63	144	135	100	321	45	166	39	15	M8	25	3.0



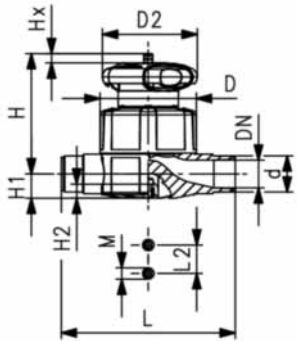
## SYGEF Standard Diaphragm valve type 515 With socket fusion spigots metric

### Model:

- Material: PVDF
- Double flow rate compared to predecessor
- One housing nut replaces four screws
- Handwheel with built-in locking mechanism
- Overall length EN 558

### Option:

- Individual configuration of the valve (see diagram)
- Self adjusting multifunctional module with integrated limit switches



d [mm]	DN [mm]	PN	kv-value ( $\Delta p=1$ bar) [l/min]	PTFE/EPDM Code
20	15	16	125	<b>175 515 032</b>
25	20	16	271	<b>175 515 033</b>
32	25	16	481	<b>175 515 034</b>
40	32	16	759	<b>175 515 035</b>
50	40	16	1263	<b>175 515 036</b>
63	50	16	1728	<b>175 515 037</b>

d [mm]	D [mm]	D2 [mm]	L [mm]	L2 [mm]	H [mm]	H1 [mm]	H2 [mm]	M	Lift = Hx [mm]
20	65	65	124	25	73	14	12	M6	7
25	80	65	144	25	81	18	12	M6	10
32	88	87	154	25	107	22	12	M6	13
40	101	87	174	45	115	26	15	M8	15
50	117	135	194	45	148	32	15	M8	19
63	144	135	223	45	166	39	15	M8	25



## SYGEF Standard Diaphragm valve type 515 With butt fusion spigots metric

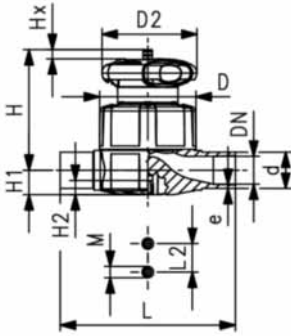


### Model:

- Material: PVDF
- Double flow rate compared to predecessor
- One housing nut replaces four screws
- Handwheel with built-in locking mechanism
- Overall length EN 558

### Option:

- Individual configuration of the valve (see diagram)
- Self adjusting multifunctional module with integrated limit switches



d [mm]	DN [mm]	PN	kv-value ( $\Delta p=1$ bar) [l/min]	PTFE/EPDM Code
20	15	16	125	<b>175 515 132</b>
25	20	16	271	<b>175 515 133</b>
32	25	16	481	<b>175 515 134</b>
40	32	16	759	<b>175 515 135</b>
50	40	16	1263	<b>175 515 136</b>
63	50	16	1728	<b>175 515 137</b>

d [mm]	D [mm]	D2 [mm]	L [mm]	L2 [mm]	H [mm]	H1 [mm]	H2 [mm]	M	Lift = Hx [mm]	e [mm]
20	65	65	124	25	73	14	12	M6	7	1.9
25	80	65	144	25	81	18	12	M6	10	1.9
32	88	87	155	25	107	22	12	M6	13	2.4
40	101	87	176	45	115	26	15	M8	15	2.4
50	117	135	193	45	148	32	15	M8	19	3.0
63	144	135	223	45	166	39	15	M8	25	3.0

## SYGEF Standard Diaphragm valve type 517 With backing flanges PP-V metric/BS

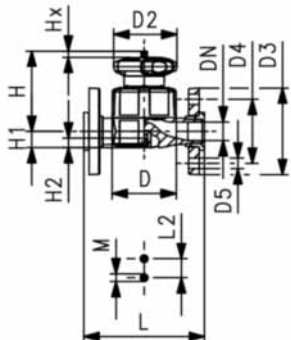


### Model:

- Material: PVDF
- Double flow rate compared to predecessor
- One housing nut replaces four screws
- Handwheel with built-in locking mechanism
- Overall length EN 558
- Flat sealing faces/serrated
- Connecting dimension: ISO 7005 PN 10, EN 1092 PN 10, DIN 2501 PN 10, BS 4504 PN 10

### Option:

- Individual configuration of the valve (see diagram)
- Self adjusting multifunctional module with integrated limit switches

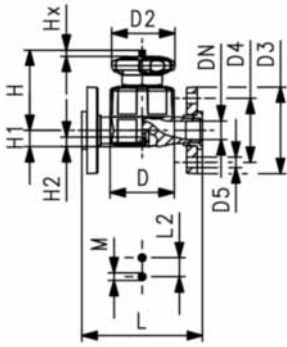


Inch	DN [mm]	PN	kv-value ( $\Delta p=1$ bar) [l/min]	PTFE/EPDM Code
1/2	15	16	125	<b>175 517 132</b>
3/4	20	16	271	<b>175 517 133</b>
1	25	16	481	<b>175 517 134</b>
1 1/4	32	16	759	<b>175 517 135</b>
1 1/2	40	16	1263	<b>175 517 136</b>
2	50	16	1728	<b>175 517 137</b>

Inch	D [mm]	D2 [mm]	D3 [mm]	D4 [mm]	D5 [mm]	L [mm]	L2 [mm]	H [mm]	H1 [mm]	H2 [mm]	M	Lift = Hx [mm]
1/2	65	65	95	65	14	130	25	73	14	12	M6	7
3/4	80	65	105	75	14	150	25	81	18	12	M6	10
1	88	87	115	85	14	160	25	107	22	12	M6	13

table continued next page





Inch	D [mm]	D2 [mm]	D3 [mm]	D4 [mm]	D5 [mm]	L [mm]	L2 [mm]	H [mm]	H1 [mm]	H2 [mm]	M	Lift = Hx [mm]
1 ¼	101	87	140	100	18	180	45	115	26	15	M8	15
1 ½	117	135	150	110	18	200	45	148	32	15	M8	19
2	144	135	165	125	18	230	45	166	39	15	M8	25



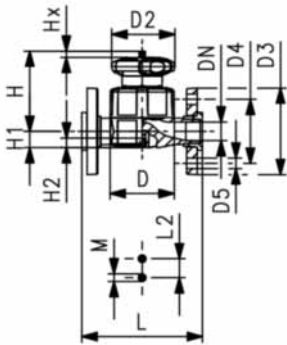
## SYGEF Standard Diaphragm valve type 517 With backing flanges PP-V Inch ANSI

### Model:

- Material: PVDF
- Double flow rate compared to predecessor
- One housing nut replaces four screws
- Handwheel with built-in locking mechanism
- Overall length EN 558
- Flat sealing faces/serrated
- Connecting dimension: ANSI/ASME B 16.5 class 150, ASTM D 4024, BS 1560, BS EN 1759

### Option:

- Individual configuration of the valve (see diagram)
- Self adjusting multifunctional module with integrated limit switches



Inch	DN [mm]	PN	kv-value ( $\Delta p=1$ bar) [l/min]	PTFE/EPDM Code
½	15	16	125	<b>175 517 732</b>
¾	20	16	271	<b>175 517 733</b>
1	25	16	481	<b>175 517 734</b>
1 ¼	32	16	759	<b>175 517 735</b>
1 ½	40	16	1263	<b>175 517 736</b>
2	50	16	1728	<b>175 517 737</b>

Inch	D [mm]	D2 [mm]	D3 [mm]	D4 [mm]	D5 [mm]	L [mm]	L2 [mm]	H [mm]	H1 [mm]	H2 [mm]	M	Lift = Hx [mm]
½	65	65	95	60	16	130	25	73	14	12	M6	7
¾	80	65	105	70	16	150	25	81	18	12	M6	10
1	88	87	115	79	16	160	25	107	22	12	M6	13
1 ¼	101	87	140	89	16	180	45	115	26	15	M8	15
1 ½	117	135	150	98	16	200	45	148	32	15	M8	19
2	144	135	165	121	19	230	45	166	39	15	M8	25

# Diaphragm valves pneumatic

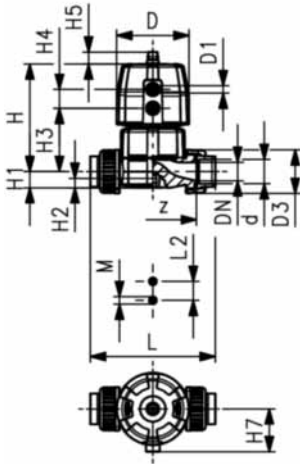
## New generation

### SYGEF Standard

#### Diaphragm valve DIASTAR Ten

#### FC (Fail safe to close)

#### Unions with fusion sockets metric



#### Model:

- Material: PVDF
- Double flow rate compared to predecessor
- One housing nut replaces four screws
- Rotating air connection at 90° intervals
- For easy installation and removal
- Short overall length

#### Option:

- Individual configuration of the valve (see diagram)
- Comprehensive range of accessories available

d [mm]	DN [mm]	PN [bar]	kv-value ( $\Delta p=1$ bar) [l/min]	PTFE/EPDM Code
20	15	10	125	<b>175 624 032</b>
25	20	10	271	<b>175 624 033</b>
32	25	10	481	<b>175 624 034</b>
40	32	10	759	<b>175 624 035</b>
50	40	10	1263	<b>175 624 036</b>
63	50	6	1728	<b>175 624 037</b>

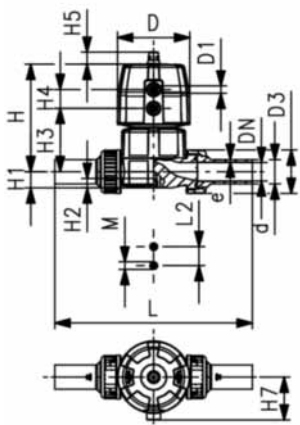
d [mm]	D [mm]	D1_G [inch]	L [mm]	L2 [mm]	H [mm]	H1 [mm]	H2 [mm]	H3 [mm]	H4 [mm]	H5 [mm]	H7 [mm]	M	z [mm]	Lift = Hx [mm]
20	68	1/8	128	25	101	14	12	60	24	16	43	M6	100	7
25	96	1/8	150	25	132	18	12	73	25	16	57	M6	118	10
32	96	1/8	162	25	143	22	12	84	25	16	57	M6	126	13
40	120	1/8	184	45	173	26	15	99	26	26	69	M8	144	15
50	150	1/4	210	45	214	32	15	119	36	26	88	M8	164	19
63	150	1/4	248	45	226	39	15	132	36	26	88	M8	194	23

### SYGEF Standard

#### Diaphragm valve DIASTAR Ten

#### FC (Fail safe to close)

#### Unions with butt fusion spigots metric



#### Model:

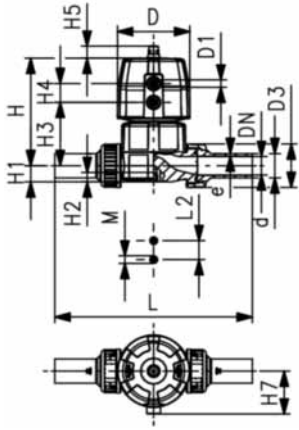
- Material: PVDF
- Double flow rate compared to predecessor
- One housing nut replaces four screws
- Rotating air connection at 90° intervals
- For easy installation and removal
- Short overall length

#### Option:

- Individual configuration of the valve (see diagram)
- Comprehensive range of accessories available

d [mm]	DN [mm]	PN [bar]	kv-value ( $\Delta p=1$ bar) [l/min]	PTFE/EPDM Code
20	15	10	125	<b>175 624 132</b>
25	20	10	271	<b>175 624 133</b>
32	25	10	481	<b>175 624 134</b>
40	32	10	759	<b>175 624 135</b>
50	40	10	1263	<b>175 624 136</b>
63	50	6	1728	<b>175 624 137</b>

table continued next page



d [mm]	D [mm]	D1_G [inch]	L [mm]	L2 [mm]	H [mm]	H1 [mm]	H2 [mm]	H3 [mm]	H4 [mm]	H5 [mm]	H7 [mm]	M	Lift = Hx [mm]	e [mm]
20	68	1/8	196	25	101	14	12	60	24	16	43	M6	7	1.9
25	96	1/8	221	25	132	18	12	73	25	16	57	M6	10	1.9
32	96	1/8	234	25	143	22	12	84	25	16	57	M6	13	2.4
40	120	1/8	260	45	173	26	15	99	26	26	69	M8	15	2.4
50	150	1/4	284	45	214	32	15	119	36	26	88	M8	19	3.0
63	150	1/4	321	45	226	39	15	132	36	26	88	M8	23	3.0



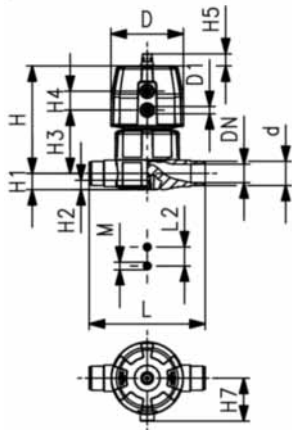
## SYGEF Standard Diaphragm valve DIASTAR Ten FC (Fail safe to close) With socket fusion spigots metric

### Model:

- Material: PVDF
- Double flow rate compared to predecessor
- One housing nut replaces four screws
- Rotating air connection at 90° intervals
- Overall length EN 558

### Option:

- Individual configuration of the valve (see diagram)
- Comprehensive range of accessories available



d [mm]	DN [mm]	PN [bar]	kv-value ( $\Delta p=1$ bar) [l/min]	PTFE/EPDM Code
20	15	10	125	<b>175 625 032</b>
25	20	10	271	<b>175 625 033</b>
32	25	10	481	<b>175 625 034</b>
40	32	10	759	<b>175 625 035</b>
50	40	10	1263	<b>175 625 036</b>
63	50	6	1728	<b>175 625 037</b>

d [mm]	D [mm]	D1_G [inch]	L [mm]	L2 [mm]	H [mm]	H1 [mm]	H2 [mm]	H3 [mm]	H4 [mm]	H5 [mm]	H7 [mm]	M	Lift = Hx [mm]
20	68	1/8	124	25	101	14	12	60	24	16	43	M6	7
25	96	1/8	144	25	132	18	12	73	25	16	57	M6	10
32	96	1/8	154	25	143	22	12	84	25	16	57	M6	13
40	120	1/8	174	45	173	26	15	99	26	26	69	M8	15
50	150	1/4	194	45	214	32	15	119	36	26	88	M8	19
63	150	1/4	224	45	226	39	15	132	36	26	88	M8	23



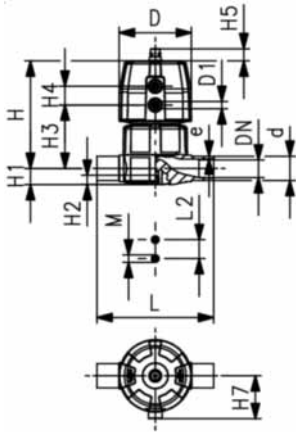
## SYGEF Standard Diaphragm valve DIASTAR Ten FC (Fail safe to close) With butt fusion spigots metric

### Model:

- Material: PVDF
- Double flow rate compared to predecessor
- One housing nut replaces four screws
- Rotating air connection at 90° intervals

### Option:

- Individual configuration of the valve (see diagram)
- Comprehensive range of accessories available



d [mm]	DN [mm]	PN [bar]	kv-value ( $\Delta p=1$ bar) [l/min]	PTFE/EPDM Code
20	15	10	125	<b>175 625 132</b>
25	20	10	271	<b>175 625 133</b>
32	25	10	481	<b>175 625 134</b>
40	32	10	759	<b>175 625 135</b>
50	40	10	1263	<b>175 625 136</b>
63	50	6	1728	<b>175 625 137</b>

d [mm]	D [mm]	D1_G [inch]	L [mm]	L2 [mm]	H [mm]	H1 [mm]	H2 [mm]	H3 [mm]	H4 [mm]	H5 [mm]	H7 [mm]	M	Lift = Hx [mm]	e [mm]
20	68	1/8	124	25	101	14	12	60	24	16	43	M6	7	1.9
25	96	1/8	144	25	132	18	12	73	25	16	57	M6	10	1.9
32	96	1/8	154	25	143	22	12	84	25	16	57	M6	13	2.4
40	120	1/8	174	45	173	26	15	99	26	26	69	M8	15	2.4
50	150	1/4	194	45	214	32	15	119	36	26	88	M8	19	3.0
63	150	1/4	224	45	226	39	15	132	36	26	88	M8	23	3.0



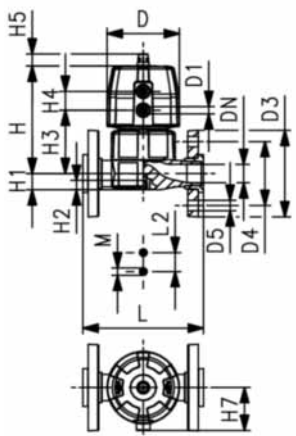
## SYGEF Standard Diaphragm valve DIASTAR Ten FC (Fail safe to close) With backing flanges PP-V metric/BS

### Model:

- Material: PVDF
- Double flow rate compared to predecessor
- One housing nut replaces four screws
- Rotating air connection at 90° intervals
- Flat sealing faces/serrated
- Overall length EN 558
- Connecting dimension: ISO 7005 PN 10, EN 1092 PN 10, DIN 2501 PN 10, BS 4504 PN 10

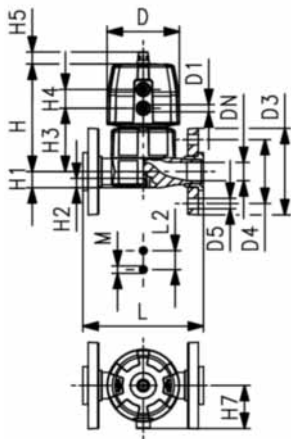
### Option:

- Individual configuration of the valve (see diagram)
- Comprehensive range of accessories available



d [mm]	DN [mm]	PN [bar]	kv-value ( $\Delta p=1$ bar) [l/min]	PTFE/EPDM Code
20	15	10	125	<b>175 627 132</b>
25	20	10	271	<b>175 627 133</b>
32	25	10	481	<b>175 627 134</b>
40	32	10	759	<b>175 627 135</b>
50	40	10	1263	<b>175 627 136</b>
63	50	6	1728	<b>175 627 137</b>

table continued next page



d	D	D1_G	D3	D4	D5	L	L2	H	H1	H2	H3	H4	H5	H7	M
[mm]	[mm]	[inch]	[mm]	[mm]	[mm]	[mm]	[mm]	[mm]	[mm]	[mm]	[mm]	[mm]	[mm]	[mm]	
20	68	1/8	95	65	14	130	25	101	14	12	60	24	16	43	M6
25	96	1/8	105	75	14	150	25	132	18	12	73	25	16	57	M6
32	96	1/8	115	85	14	160	25	143	22	12	84	25	16	69	M6
40	120	1/8	140	100	18	180	45	173	26	15	99	26	26	69	M8
50	150	1/4	150	110	18	200	45	193	32	15	119	36	26	88	M8
63	150	1/4	165	125	18	230	45	205	39	15	132	36	26	88	M8

d	Lift = Hx
[mm]	[mm]
20	7
25	10
32	13
40	15
50	19
63	23



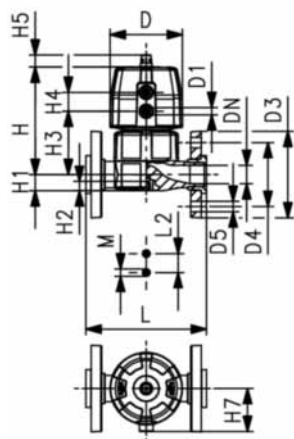
## SYGEF Standard Diaphragm valve DIASTAR Ten FC (Fail safe to close) With backing flanges PP-V Inch ANSI

### Model:

- Material: PVDF
- Double flow rate compared to predecessor
- One housing nut replaces four screws
- Rotating air connection at 90° intervals
- Flat sealing faces/serrated
- Overall length EN 558
- Connecting dimension: ANSI/ASME B 16.5 class 150, ASTM D 4024, BS 1560, BS EN 1759

### Option:

- Individual configuration of the valve (see diagram)
- Comprehensive range of accessories available



Inch	DN	PN	kv-value	PTFE/EPDM
	[mm]	[bar]	( $\Delta p=1$ bar)	Code
			[l/min]	
1/2	15	10	125	175 627 732
3/4	20	10	271	175 627 733
1	25	10	481	175 627 734
1 1/4	32	10	759	175 627 735
1 1/2	40	10	1263	175 627 736
2	50	6	1728	175 627 737

Inch	D	D1_G	D3	D4	D5	L	L2	H	H1	H2	H3	H4	H5	H7	M
	[mm]	[inch]	[mm]	[mm]	[mm]	[mm]	[mm]	[mm]	[mm]	[mm]	[mm]	[mm]	[mm]	[mm]	
1/2	68	1/8	95	60	16	130	25	101	14	12	60	24	16	43	M6
3/4	96	1/8	105	70	16	150	25	132	18	12	73	25	16	57	M6
1	96	1/8	115	79	16	160	25	143	22	12	84	25	16	69	M6
1 1/4	120	1/8	140	89	16	180	45	173	26	15	99	26	26	69	M8
1 1/2	150	1/4	150	98	16	200	45	193	32	15	119	36	26	88	M8
2	150	1/4	165	121	19	230	45	205	39	15	132	36	26	88	M8

Inch	Lift = Hx
	[mm]
1/2	7
3/4	10
1	13
1 1/4	15
1 1/2	19
2	23



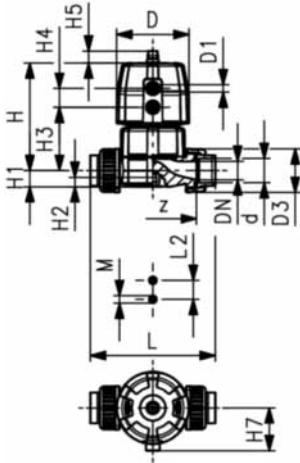
## SYGEF Standard Diaphragm valve DIASTAR Ten FO (Fail safe to open) Unions with fusion sockets metric

### Model:

- Material: PVDF
- Double flow rate compared to predecessor
- One housing nut replaces four screws
- Rotating air connection at 90° intervals
- For easy installation and removal
- Short overall length

### Option:

- Individual configuration of the valve (see diagram)
- Comprehensive range of accessories available



d [mm]	DN [mm]	PN [bar]	kv-value ( $\Delta p=1$ bar) [l/min]	PTFE/EPDM Code
20	15	10	125	<b>175 644 032</b>
25	20	10	271	<b>175 644 033</b>
32	25	10	481	<b>175 644 034</b>
40	32	10	759	<b>175 644 035</b>
50	40	10	1263	<b>175 644 036</b>
63	50	10	1728	<b>175 644 037</b>

d [mm]	D [mm]	D1_G [inch]	L [mm]	L2 [mm]	H [mm]	H1 [mm]	H2 [mm]	H3 [mm]	H4 [mm]	H5 [mm]	H7 [mm]	M	z [mm]	Lift = Hx [mm]
20	68	1/8	128	25	101	14	12	60	24	16	43	M6	100	7
25	96	1/8	152	25	132	18	12	73	25	16	57	M6	118	10
32	96	1/8	166	25	143	22	12	84	25	16	57	M6	126	13
40	120	1/8	192	45	173	26	15	99	26	26	69	M8	144	15
50	150	1/4	222	45	214	32	15	119	36	26	88	M8	164	19
63	150	1/4	266	45	226	39	15	132	36	26	88	M8	194	23



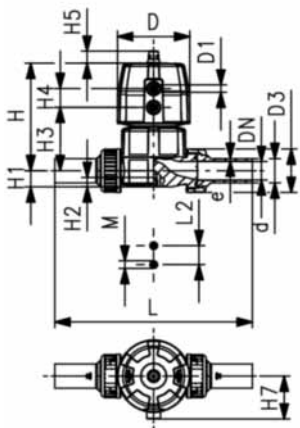
## SYGEF Standard Diaphragm valve DIASTAR Ten FO (Fail safe to open) Unions with butt fusion spigots metric

### Model:

- Material: PVDF
- Double flow rate compared to predecessor
- One housing nut replaces four screws
- Rotating air connection at 90° intervals
- For easy installation and removal
- Short overall length

### Option:

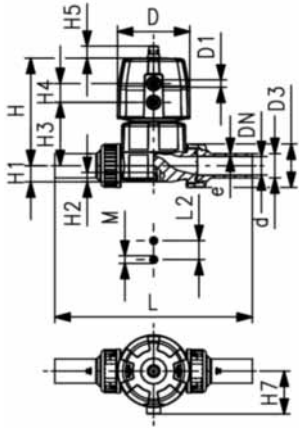
- Individual configuration of the valve (see diagram)
- Comprehensive range of accessories available



d [mm]	DN [mm]	PN [bar]	kv-value ( $\Delta p=1$ bar) [l/min]	PTFE/EPDM Code
20	15	10	125	<b>175 644 132</b>
25	20	10	271	<b>175 644 133</b>
32	25	10	481	<b>175 644 134</b>
40	32	10	759	<b>175 644 135</b>
50	40	10	1263	<b>175 644 136</b>
63	50	10	1728	<b>175 644 137</b>

table continued next page





d [mm]	D [mm]	D1_G [inch]	L [mm]	L2 [mm]	H [mm]	H1 [mm]	H2 [mm]	H3 [mm]	H4 [mm]	H5 [mm]	H7 [mm]	M	Lift = Hx [mm]	e [mm]
20	68	1/8	196	25	101	14	12	60	24	16	43	M6	7	1.9
25	96	1/8	221	25	132	18	12	73	25	16	57	M6	10	1.9
32	96	1/8	234	25	143	22	12	84	25	16	57	M6	13	2.4
40	120	1/8	260	45	173	26	15	99	26	26	69	M8	15	2.4
50	150	1/4	284	45	214	32	15	119	36	26	69	M8	19	3.0
63	150	1/4	321	45	226	39	15	132	36	26	69	M8	23	3.0



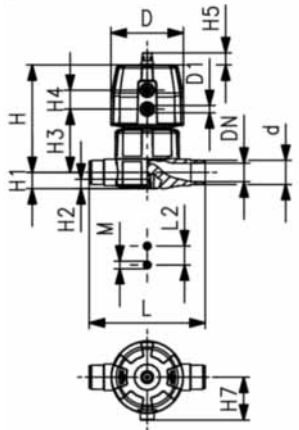
## SYGEF Standard Diaphragm valve DIASTAR Ten FO (Fail safe to open) With socket fusion spigots metric

### Model:

- Material: PVDF
- Double flow rate compared to predecessor
- One housing nut replaces four screws
- Rotating air connection at 90° intervals
- Overall length EN 558

### Option:

- Individual configuration of the valve (see diagram)
- Comprehensive range of accessories available



d [mm]	DN [mm]	PN [bar]	kv-value ( $\Delta p=1$ bar) [l/min]	PTFE/EPDM Code
20	15	10	125	<b>175 645 032</b>
25	20	10	271	<b>175 645 033</b>
32	25	10	481	<b>175 645 034</b>
40	32	10	759	<b>175 645 035</b>
50	40	10	1263	<b>175 645 036</b>
63	50	10	1728	<b>175 645 037</b>

d [mm]	D [mm]	D1_G [inch]	L [mm]	L2 [mm]	H [mm]	H1 [mm]	H2 [mm]	H3 [mm]	H4 [mm]	H5 [mm]	H7 [mm]	M	Lift = Hx [mm]
20	68	1/8	124	25	101	14	12	60	24	16	43	M6	7
25	96	1/8	144	25	132	18	12	73	25	16	57	M6	10
32	96	1/8	154	25	143	22	12	84	25	16	57	M6	13
40	120	1/8	174	45	173	26	15	99	26	26	69	M8	15
50	150	1/4	194	45	214	32	15	119	36	26	88	M8	19
63	150	1/4	224	45	226	39	15	132	36	26	88	M8	23





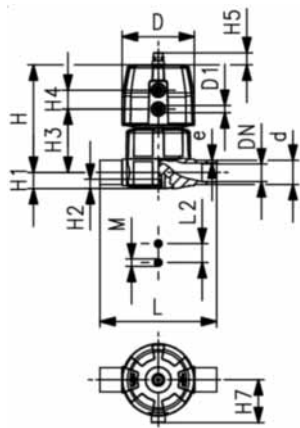
## SYGEF Standard Diaphragm valve DIASTAR Ten FO (Fail safe to open) With butt fusion spigots metric

### Model:

- Material: PVDF
- Double flow rate compared to predecessor
- One housing nut replaces four screws
- Rotating air connection at 90° intervals

### Option:

- Individual configuration of the valve (see diagram)
- Comprehensive range of accessories available



d [mm]	DN [mm]	PN [bar]	kv-value ( $\Delta p=1$ bar) [l/min]	PTFE/EPDM Code
20	15	10	125	175 645 132
25	20	10	271	175 645 133
32	25	10	481	175 645 134
40	32	10	759	175 645 135
50	40	10	1263	175 645 136
63	50	10	1728	175 645 137

d [mm]	D [mm]	D1_G [inch]	L [mm]	L2 [mm]	H [mm]	H1 [mm]	H2 [mm]	H3 [mm]	H4 [mm]	H5 [mm]	H7 [mm]	M	Lift = Hx [mm]	e [mm]
20	68	1/8	124	25	101	14	12	60	24	16	43	M6	7	1.9
25	96	1/8	144	25	132	18	12	73	25	16	57	M6	10	1.9
32	96	1/8	154	25	143	22	12	84	25	16	57	M6	13	2.4
40	120	1/8	174	45	173	26	15	99	26	26	69	M8	15	2.4
50	150	1/4	194	45	214	32	15	119	36	26	88	M8	19	3.0
63	150	1/4	224	45	226	39	15	132	36	26	88	M8	23	3.0



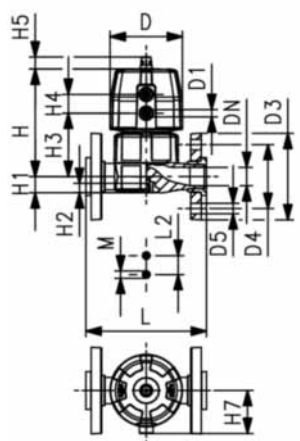
## SYGEF Standard Diaphragm valve DIASTAR Ten FO (Fail safe to open) With backing flanges PP-V metric/BS

### Model:

- Material: PVDF
- Double flow rate compared to predecessor
- One housing nut replaces four screws
- Rotating air connection at 90° intervals
- Flat sealing faces/serrated
- Overall length EN 558
- Connecting dimension: ISO 7005 PN 10, EN 1092 PN 10, DIN 2501 PN 10, BS 4504 PN 10

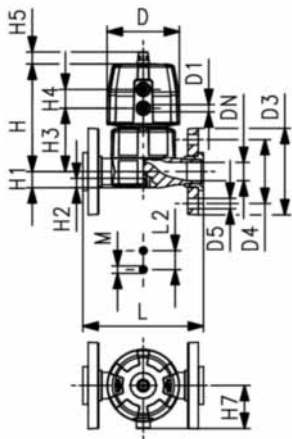
### Option:

- Individual configuration of the valve (see diagram)
- Comprehensive range of accessories available



d [mm]	DN [mm]	PN [bar]	kv-value ( $\Delta p=1$ bar) [l/min]	PTFE/EPDM Code
20	15	10	125	175 647 132
25	20	10	271	175 647 133
32	25	10	481	175 647 134
40	32	10	759	175 647 135
50	40	10	1263	175 647 136
63	50	10	1728	175 647 137

table continued next page



d	D	D1_G	D3	D4	D5	L	L2	H	H1	H2	H3	H4	H5	H7	M
[mm]	[mm]	[inch]	[mm]	[mm]	[mm]	[mm]	[mm]	[mm]	[mm]	[mm]	[mm]	[mm]	[mm]	[mm]	
20	68	1/8	95	65	14	130	25	101	14	12	60	24	16	57	M6
25	96	1/8	105	75	14	150	25	132	18	12	73	25	16	57	M6
32	96	1/8	115	85	14	160	25	143	22	12	84	25	16	69	M6
40	120	1/8	140	100	18	180	45	173	26	15	99	26	26	88	M8
50	150	1/4	150	110	18	200	45	214	32	15	119	36	26	103	M8
63	150	1/4	165	125	18	230	45	226	39	15	132	36	26	103	M8

d	Lift = Hx
[mm]	[mm]
20	7
25	10
32	13
40	15
50	19
63	23



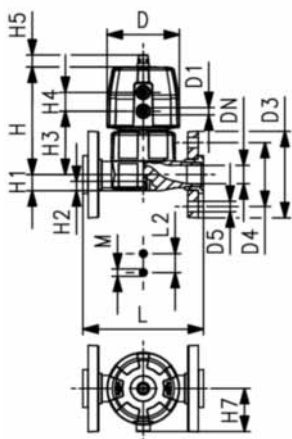
## SYGEF Standard Diaphragm valve DIASTAR Ten FO (Fail safe to open) With backing flanges PP-V Inch ANSI

### Model:

- Material: PVDF
- Double flow rate compared to predecessor
- One housing nut replaces four screws
- Rotating air connection at 90° intervals
- Flat sealing faces/serrated
- Overall length EN 558
- Connecting dimension: ANSI/ASME B 16.5 class 150, ASTM D 4024, BS 1560, BS EN 1759

### Option:

- Individual configuration of the valve (see diagram)
- Comprehensive range of accessories available



Inch	DN	PN	kv-value	PTFE/EPDM
	[mm]	[bar]	(Δp=1 bar)	Code
			[l/min]	
1/2	15	10	125	175 647 732
3/4	20	10	271	175 647 733
1	25	10	481	175 647 734
1 1/4	32	10	759	175 647 735
1 1/2	40	10	1263	175 647 736
2	50	10	1728	175 647 737

Inch	D	D1_G	D3	D4	D5	L	L2	H	H1	H2	H3	H4	H5	H7	M
	[mm]	[inch]	[mm]	[mm]	[mm]	[mm]	[mm]	[mm]	[mm]	[mm]	[mm]	[mm]	[mm]	[mm]	
1/2	68	1/8	95	60	16	130	25	101	14	12	60	24	16	57	M6
3/4	96	1/8	105	70	16	150	25	132	18	12	73	25	16	57	M6
1	96	1/8	115	79	16	160	25	143	22	12	84	25	16	69	M6
1 1/4	120	1/8	140	89	16	180	45	173	26	15	99	26	26	88	M8
1 1/2	150	1/4	150	98	16	200	45	214	32	15	119	36	26	103	M8
2	150	1/4	165	121	19	230	45	226	39	15	132	36	26	103	M8

Inch	Lift = Hx
	[mm]
1/2	7
3/4	10
1	13
1 1/4	15
1 1/2	19
2	23



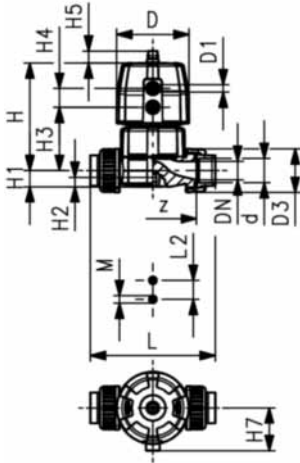
## SYGEF Standard Diaphragm valve DIASTAR Ten DA (Double acting) Unions with fusion sockets metric

### Model:

- Material: PVDF
- Double flow rate compared to predecessor
- One housing nut replaces four screws
- Rotating air connection at 90° intervals
- For easy installation and removal
- Short overall length

### Option:

- Individual configuration of the valve (see diagram)
- Comprehensive range of accessories available



d [mm]	DN [mm]	PN [bar]	kv-value ( $\Delta p=1$ bar) [l/min]	PTFE/EPDM Code
20	15	10	125	<b>175 654 032</b>
25	20	10	271	<b>175 654 033</b>
32	25	10	481	<b>175 654 034</b>
40	32	10	759	<b>175 654 035</b>
50	40	10	1263	<b>175 654 036</b>
63	50	10	1728	<b>175 654 037</b>

d [mm]	D [mm]	D1_G [inch]	L [mm]	L2 [mm]	H [mm]	H1 [mm]	H2 [mm]	H3 [mm]	H4 [mm]	H5 [mm]	H7 [mm]	M	z [mm]	Lift = Hx [mm]
20	68	1/8	128	25	101	14	12	60	24	16	43	M6	100	7
25	96	1/8	152	25	132	18	12	73	25	16	57	M6	118	10
32	96	1/8	166	25	143	22	12	84	25	16	57	M6	126	13
40	120	1/8	192	45	173	26	15	99	26	26	69	M8	144	15
50	150	1/4	222	45	214	32	15	119	36	26	88	M8	164	19
63	150	1/4	266	45	226	39	15	132	36	26	88	M8	194	23



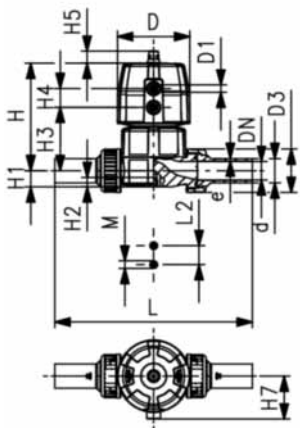
## SYGEF Standard Diaphragm valve DIASTAR Ten DA (Double acting) Unions with butt fusion spigots metric

### Model:

- Material: PVDF
- Double flow rate compared to predecessor
- One housing nut replaces four screws
- Rotating air connection at 90° intervals
- For easy installation and removal
- Short overall length

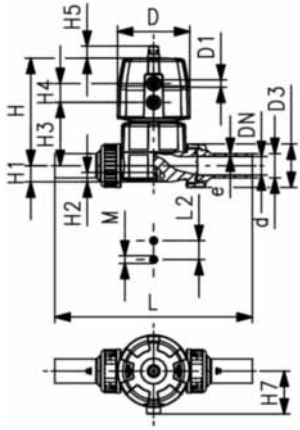
### Option:

- Individual configuration of the valve (see diagram)
- Comprehensive range of accessories available



d [mm]	DN [mm]	PN [bar]	kv-value ( $\Delta p=1$ bar) [l/min]	PTFE/EPDM Code
20	15	10	125	<b>175 654 132</b>
25	20	10	271	<b>175 654 133</b>
32	25	10	481	<b>175 654 134</b>
40	32	10	759	<b>175 654 135</b>
50	40	10	1263	<b>175 654 136</b>
63	50	10	1728	<b>175 654 137</b>

table continued next page



d [mm]	D [mm]	D1_G [inch]	L [mm]	L2 [mm]	H [mm]	H1 [mm]	H2 [mm]	H3 [mm]	H4 [mm]	H5 [mm]	H7 [mm]	M	Lift = Hx [mm]	e [mm]
20	68	1/8	196	25	101	14	12	60	24	16	43	M6	7	1.9
25	96	1/8	221	25	132	18	12	73	25	16	57	M6	10	1.9
32	96	1/8	234	25	143	22	12	84	25	16	57	M6	13	2.4
40	120	1/8	260	45	173	26	15	99	26	26	69	M8	15	2.4
50	150	1/4	284	45	214	32	15	119	36	26	69	M8	19	3.0
63	150	1/4	321	45	226	39	15	132	36	26	69	M8	23	3.0



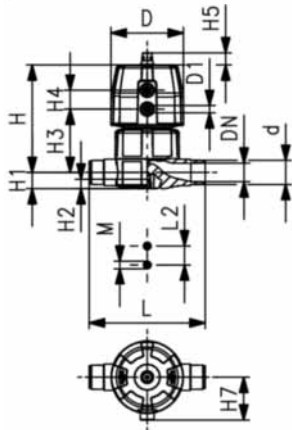
## SYGEF Standard Diaphragm valve DIASTAR Ten DA (Double acting) With socket fusion spigots metric

### Model:

- Material: PVDF
- Double flow rate compared to predecessor
- One housing nut replaces four screws
- Rotating air connection at 90° intervals
- Overall length EN 558

### Option:

- Individual configuration of the valve (see diagram)
- Comprehensive range of accessories available



d [mm]	DN [mm]	PN [bar]	kv-value ( $\Delta p=1$ bar) [l/min]	PTFE/EPDM Code
20	15	10	125	<b>175 655 032</b>
25	20	10	271	<b>175 655 033</b>
32	25	10	481	<b>175 655 034</b>
40	32	10	759	<b>175 655 035</b>
50	40	10	1263	<b>175 655 036</b>
63	50	10	1728	<b>175 655 037</b>

d [mm]	D [mm]	D1_G [inch]	L [mm]	L2 [mm]	H [mm]	H1 [mm]	H2 [mm]	H3 [mm]	H4 [mm]	H5 [mm]	H7 [mm]	M	Lift = Hx [mm]
20	68	1/8	124	25	101	14	12	60	24	16	43	M6	7
25	96	1/8	144	25	132	18	12	73	25	16	57	M6	10
32	96	1/8	154	25	143	22	12	84	25	16	57	M6	13
40	120	1/8	174	45	173	26	15	99	26	26	69	M8	15
50	150	1/4	194	45	214	32	15	119	36	26	88	M8	19
63	150	1/4	224	45	226	39	15	132	36	26	88	M8	23



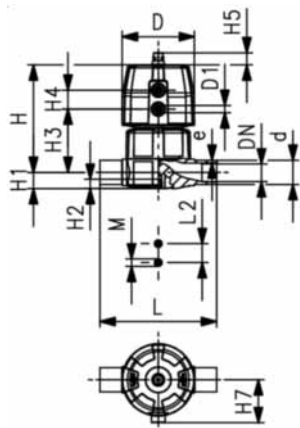
## SYGEF Standard Diaphragm valve DIASTAR Ten DA (Double acting) With butt fusion spigots metric

### Model:

- Material: PVDF
- Double flow rate compared to predecessor
- One housing nut replaces four screws
- Rotating air connection at 90° intervals

### Option:

- Individual configuration of the valve (see diagram)
- Comprehensive range of accessories available



d [mm]	DN [mm]	PN [bar]	kv-value ( $\Delta p=1$ bar) [l/min]	PTFE/EPDM Code
20	15	10	125	175 655 132
25	20	10	271	175 655 133
32	25	10	481	175 655 134
40	32	10	759	175 655 135
50	40	10	1263	175 655 136
63	50	10	1728	175 655 137

d [mm]	D [mm]	D1_G [inch]	L [mm]	L2 [mm]	H [mm]	H1 [mm]	H2 [mm]	H3 [mm]	H4 [mm]	H5 [mm]	H7 [mm]	M	Lift = Hx [mm]	e [mm]
20	68	1/8	124	25	101	14	12	60	24	16	43	M6	7	1.9
25	96	1/8	144	25	132	18	12	73	25	16	57	M6	10	1.9
32	96	1/8	154	25	143	22	12	84	25	16	57	M6	13	2.4
40	120	1/8	174	45	173	26	15	99	26	26	69	M8	15	2.4
50	150	1/4	194	45	214	32	15	119	36	26	88	M8	19	3.0
63	150	1/4	224	45	226	39	15	132	36	26	88	M8	23	3.0



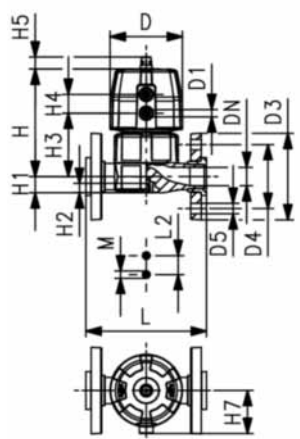
## SYGEF Standard Diaphragm valve DIASTAR Ten DA (Double acting) With backing flanges PP-V metric/BS

### Model:

- Material: PVDF
- Double flow rate compared to predecessor
- One housing nut replaces four screws
- Rotating air connection at 90° intervals
- Flat sealing faces/serrated
- Overall length EN 558
- Connecting dimension: ISO 7005 PN 10, EN 1092 PN 10, DIN 2501 PN 10, BS 4504 PN 10

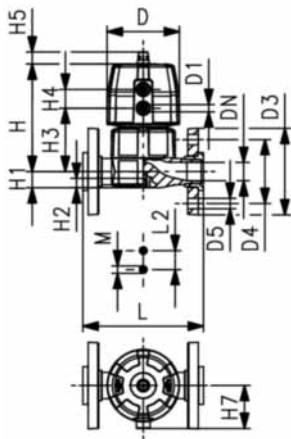
### Option:

- Individual configuration of the valve (see diagram)
- Comprehensive range of accessories available



d [mm]	DN [mm]	PN [bar]	kv-value ( $\Delta p=1$ bar) [l/min]	PTFE/EPDM Code
20	15	10	125	175 657 132
25	20	10	271	175 657 133
32	25	10	481	175 657 134
40	32	10	759	175 657 135
50	40	10	1263	175 657 136
63	50	10	1728	175 657 137

table continued next page



d	D	D1_G	D3	D4	D5	L	L2	H	H1	H2	H3	H4	H5	H7	M
[mm]	[mm]	[inch]	[mm]	[mm]	[mm]	[mm]	[mm]	[mm]	[mm]	[mm]	[mm]	[mm]	[mm]	[mm]	
20	68	1/8	95	65	14	130	25	101	14	12	60	24	16	57	M6
25	96	1/8	105	75	14	150	25	132	18	12	73	25	16	57	M6
32	96	1/8	115	85	14	160	25	143	22	12	84	25	16	69	M6
40	120	1/8	140	100	18	180	45	173	26	15	99	26	26	88	M8
50	150	1/4	150	110	18	200	45	214	32	15	119	36	26	103	M8
63	150	1/4	165	125	18	230	45	226	39	15	132	36	26	103	M8

d	Lift = Hx
[mm]	[mm]
20	7
25	10
32	13
40	15
50	19
63	23



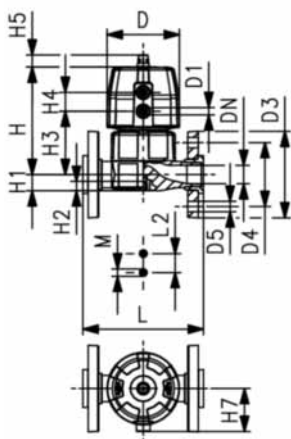
## SYGEF Standard Diaphragm valve DIASTAR Ten DA (Double acting) With backing flanges PP-V Inch ANSI

### Model:

- Material: PVDF
- Double flow rate compared to predecessor
- One housing nut replaces four screws
- Rotating air connection at 90° intervals
- Flat sealing faces/serrated
- Overall length EN 558
- Connecting dimension: ANSI/ASME B 16.5 class 150, ASTM D 4024, BS 1560, BS EN 1759

### Option:

- Individual configuration of the valve (see diagram)
- Comprehensive range of accessories available



Inch	DN	PN	kv-value	PTFE/EPDM
	[mm]	[bar]	(Δp=1 bar)	Code
			[l/min]	
1/2	15	10	125	175 657 732
3/4	20	10	271	175 657 733
1	25	10	481	175 657 734
1 1/4	32	10	759	175 657 735
1 1/2	40	10	1263	175 657 736
2	50	10	1728	175 657 737

Inch	D	D1_G	D3	D4	D5	L	L2	H	H1	H2	H3	H4	H5	H7	M
	[mm]	[inch]	[mm]	[mm]	[mm]	[mm]	[mm]	[mm]	[mm]	[mm]	[mm]	[mm]	[mm]	[mm]	
1/2	68	1/8	95	60	16	130	25	101	14	12	60	24	16	57	M6
3/4	96	1/8	105	70	16	150	25	132	18	12	73	25	16	57	M6
1	96	1/8	115	79	16	160	25	143	22	12	84	25	16	69	M6
1 1/4	120	1/8	140	89	16	180	45	173	26	15	99	26	26	88	M8
1 1/2	150	1/4	150	98	16	200	45	214	32	15	119	36	26	103	M8
2	150	1/4	165	121	19	230	45	226	39	15	132	36	26	103	M8

Inch	Lift = Hx
	[mm]
1/2	7
3/4	10
1	13
1 1/4	15
1 1/2	19
2	23





## SYGEF Standard Diaphragm valve DIASTAR Sixteen FC (Fail safe to close) Unions with fusion sockets metric

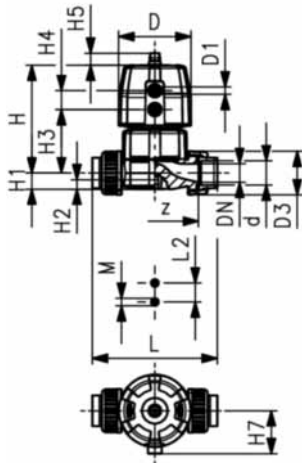
### Model:

- Material: PVDF
- Double flow rate compared to predecessor
- One housing nut replaces four screws
- Rotating air connection at 90° intervals
- For easy installation and removal
- Short overall length

### Option:

- Individual configuration of the valve (see diagram)
- Comprehensive range of accessories available

\* PN: PTFE/EPDM



d [mm]	DN [mm]	PN [bar]	kv-value ( $\Delta p=1$ bar) [l/min]	PTFE/EPDM Code
20	15	16/16*	125	<b>175 634 032</b>
25	20	16/16*	271	<b>175 634 033</b>
32	25	16/16*	481	<b>175 634 034</b>
40	32	16/16*	759	<b>175 634 035</b>
50	40	16/16*	1263	<b>175 634 036</b>
63	50	16/10*	1728	<b>175 634 037</b>

d [mm]	D [mm]	D1_G [inch]	L [mm]	L2 [mm]	H [mm]	H1 [mm]	H2 [mm]	H3 [mm]	H4 [mm]	H5 [mm]	H7 [mm]	M	z [mm]	Lift = Hx [mm]
20	96	1/8	128	25	127	14	12	68	25	16	57	M6	100	7
25	96	1/8	152	25	132	18	12	73	25	16	57	M6	118	10
32	120	1/8	166	25	167	22	12	93	26	26	69	M6	126	13
40	150	1/4	192	45	196	26	15	101	36	26	88	M8	144	15
50	180	1/4	222	45	239	32	15	124	37	26	103	M8	164	19
63	180	1/4	266	45	251	39	15	137	37	26	103	M8	194	23



## SYGEF Standard Diaphragm valve DIASTAR Sixteen FC (Fail safe to close) Unions with butt fusion spigots metric

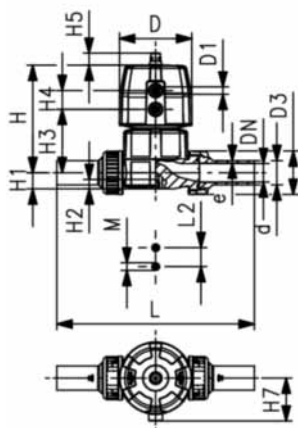
### Model:

- Material: PVDF
- Double flow rate compared to predecessor
- One housing nut replaces four screws
- Rotating air connection at 90° intervals
- For easy installation and removal
- Short overall length

### Option:

- Individual configuration of the valve (see diagram)
- Comprehensive range of accessories available

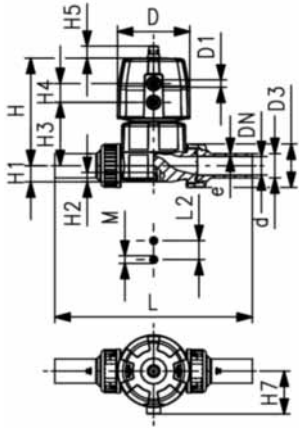
\* PN: PTFE/EPDM



d [mm]	DN [mm]	PN [bar]	kv-value ( $\Delta p=1$ bar) [l/min]	PTFE/EPDM Code
20	15	16/16*	125	<b>175 634 132</b>
25	20	16/16*	271	<b>175 634 133</b>
32	25	16/16*	481	<b>175 634 134</b>
40	32	16/16*	759	<b>175 634 135</b>
50	40	16/16*	1263	<b>175 634 136</b>
63	50	16/10*	1728	<b>175 634 137</b>

table continued next page





d	D	D1_G	L	L2	H	H1	H2	H3	H4	H5	H7	M	Lift = Hx	e
[mm]	[mm]	[inch]	[mm]	[mm]	[mm]	[mm]	[mm]	[mm]	[mm]	[mm]	[mm]		[mm]	[mm]
20	96	1/8	196	25	127	14	12	68	25	16	57	M6	7	1.9
25	96	1/8	221	25	132	18	12	73	25	16	57	M6	10	1.9
32	120	1/8	234	25	167	22	12	93	26	26	69	M6	13	2.4
40	150	1/4	260	45	196	26	15	101	36	26	88	M8	15	2.4
50	180	1/4	284	45	239	32	15	124	37	26	103	M8	19	3.0
63	180	1/4	321	45	251	39	15	137	37	26	103	M8	23	3.0



## SYGEF Standard Diaphragm valve DIASTAR Sixteen FC (Fail safe to close) With socket fusion spigots metric

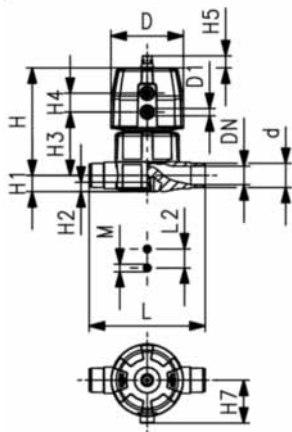
### Model:

- Material: PVDF
- Double flow rate compared to predecessor
- One housing nut replaces four screws
- Rotating air connection at 90° intervals
- Overall length EN 558

### Option:

- Individual configuration of the valve (see diagram)
- Comprehensive range of accessories available

\* PN: PTFE/EPDM



d	DN	PN	kv-value ( $\Delta p=1$ bar)	PTFE/EPDM Code
[mm]	[mm]	[bar]	[l/min]	
20	15	16/16*	125	<b>175 635 032</b>
25	20	16/16*	271	<b>175 635 033</b>
32	25	16/16*	481	<b>175 635 034</b>
40	32	16/16*	759	<b>175 635 035</b>
50	40	16/16*	1263	<b>175 635 036</b>
63	50	16/10*	1728	<b>175 635 037</b>

d	D	D1_G	L	L2	H	H1	H2	H3	H4	H5	H7	M	Lift = Hx
[mm]	[mm]	[inch]	[mm]	[mm]	[mm]	[mm]	[mm]	[mm]	[mm]	[mm]	[mm]		[mm]
20	96	1/8	124	25	127	14	12	68	25	16	57	M6	7
25	96	1/8	144	25	132	18	12	73	25	16	57	M6	10
32	120	1/8	154	25	167	22	12	93	26	26	69	M6	13
40	150	1/4	174	45	196	26	15	101	36	26	88	M8	15
50	180	1/4	194	45	239	32	15	124	37	26	103	M8	19
63	180	1/4	224	45	251	39	15	137	37	26	103	M8	23



## SYGEF Standard Diaphragm valve DIASTAR Sixteen FC (Fail safe to close) With butt fusion spigots metric

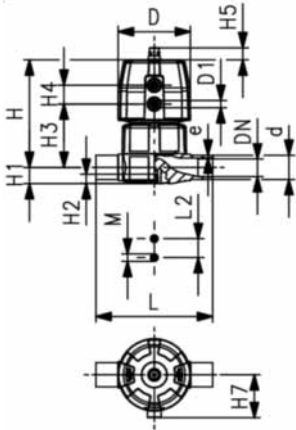
### Model:

- Material: PVDF
- Double flow rate compared to predecessor
- One housing nut replaces four screws
- Rotating air connection at 90° intervals

### Option:

- Individual configuration of the valve (see diagram)
- Comprehensive range of accessories available

\* PN: PTFE/EPDM



d [mm]	DN [mm]	PN [bar]	kv-value ( $\Delta p=1$ bar) [l/min]	PTFE/EPDM Code
20	15	16/16*	125	<b>175 635 132</b>
25	20	16/16*	271	<b>175 635 133</b>
32	25	16/16*	481	<b>175 635 134</b>
40	32	16/16*	759	<b>175 635 135</b>
50	40	16/16*	1263	<b>175 635 136</b>
63	50	16/10*	1728	<b>175 635 137</b>

d [mm]	D [mm]	D1_G [inch]	L [mm]	L2 [mm]	H [mm]	H1 [mm]	H2 [mm]	H3 [mm]	H4 [mm]	H5 [mm]	H7 [mm]	M	Lift = Hx [mm]	e [mm]
20	96	1/8	124	25	127	14	12	68	25	16	57	M6	7	1.9
25	96	1/8	144	25	132	18	12	73	25	16	57	M6	10	1.9
32	120	1/8	154	25	167	22	12	93	26	26	69	M6	13	2.4
40	150	1/4	174	45	196	26	15	101	36	26	88	M8	15	2.4
50	180	1/4	194	45	239	32	15	124	37	26	103	M8	19	3.0
63	180	1/4	224	45	251	39	15	137	37	26	103	M8	23	3.0



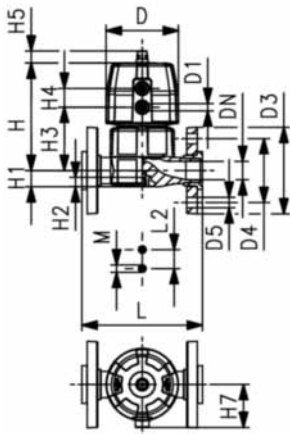
## SYGEF Standard Diaphragm valve DIASTAR Sixteen FC (Fail safe to close) With backing flanges PP-V metric/BS

### Model:

- Material: PVDF
- Double flow rate compared to predecessor
- One housing nut replaces four screws
- Rotating air connection at 90° intervals
- Flat sealing faces/serrated
- Overall length EN 558
- Connecting dimension: ISO 7005 PN 10, EN 1092 PN 10, DIN 2501 PN 10, BS 4504 PN 10

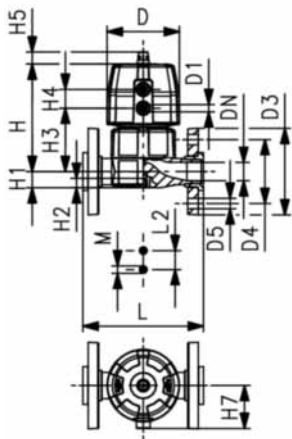
### Option:

- Individual configuration of the valve (see diagram)
- Comprehensive range of accessories available



d [mm]	DN [mm]	PN [bar]	kv-value ( $\Delta p=1$ bar) [l/min]	PTFE/EPDM Code
20	15	16	125	<b>175 637 132</b>
25	20	16	271	<b>175 637 133</b>
32	25	16	481	<b>175 637 134</b>
40	32	16	759	<b>175 637 135</b>
50	40	16	1263	<b>175 637 136</b>
63	50	10	1728	<b>175 637 137</b>

table continued next page



d	D	D1_G	D3	D4	D5	L	L2	H	H1	H2	H3	H4	H5	H7	M
[mm]	[mm]	[inch]	[mm]	[mm]	[mm]	[mm]	[mm]	[mm]	[mm]	[mm]	[mm]	[mm]	[mm]	[mm]	
20	96	⅜	95	65	14	130	25	127	14	12	68	25	16	57	M6
25	96	⅜	105	75	14	150	25	132	18	12	73	25	16	57	M6
32	120	⅜	115	85	14	160	25	167	22	12	93	26	26	69	M6
40	150	¼	140	100	18	180	45	196	26	15	101	36	26	88	M8
50	180	¼	150	110	18	200	45	239	32	15	124	37	26	103	M8
63	180	¼	165	125	18	230	45	251	39	15	137	37	26	103	M8

d	Lift = Hx
[mm]	[mm]
20	7
25	10
32	13
40	15
50	19
63	23



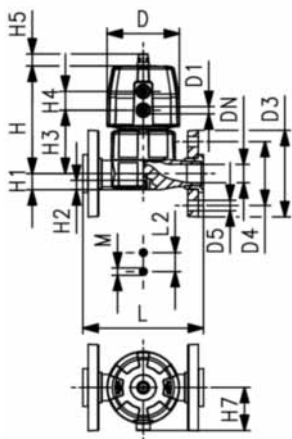
## SYGEF Standard Diaphragm valve DIASTAR Sixteen FC (Fail safe to close) With backing flanges PP-V Inch ANSI

### Model:

- Material: PVDF
- Double flow rate compared to predecessor
- One housing nut replaces four screws
- Rotating air connection at 90° intervals
- Flat sealing faces/serrated
- Overall length EN 558
- Connecting dimension: ANSI/ASME B 16.5 class 150, ASTM D 4024, BS 1560, BS EN 1759

### Option:

- Individual configuration of the valve (see diagram)
- Comprehensive range of accessories available



Inch	DN	PN	kv-value	PTFE/EPDM
	[mm]	[bar]	(Δp=1 bar)	Code
			[l/min]	
½	15	16	125	<b>175 637 732</b>
¾	20	16	271	<b>175 637 733</b>
1	25	16	481	<b>175 637 734</b>
1 ¼	32	16	759	<b>175 637 735</b>
1 ½	40	16	1263	<b>175 637 736</b>
2	50	10	1728	<b>175 637 737</b>

Inch	D	D1_G	D3	D4	D5	L	L2	H	H1	H2	H3	H4	H5	H7	M
	[mm]	[inch]	[mm]	[mm]	[mm]	[mm]	[mm]	[mm]	[mm]	[mm]	[mm]	[mm]	[mm]	[mm]	
½	96	⅜	95	60	16	130	25	127	14	12	68	25	16	57	M6
¾	96	⅜	105	70	16	150	25	132	18	12	73	25	16	57	M6
1	120	⅜	115	79	16	160	25	167	22	12	93	26	26	69	M6
1 ¼	150	¼	140	89	16	180	45	196	26	15	101	36	26	88	M8
1 ½	180	¼	150	98	16	200	45	239	32	15	124	37	26	103	M8
2	180	¼	165	121	19	230	45	251	39	15	137	37	26	103	M8

Inch	Lift = Hx
	[mm]
½	7
¾	10
1	13
1 ¼	15
1 ½	19
2	23

# Diaphragm valves new generation

## SYGEF Standard

### Diaphragm valve type 517

#### With fixed flanges PVDF JIS

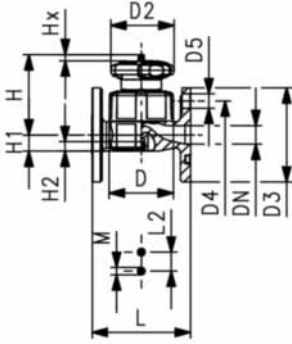


#### Model:

- Material: PVDF
- Double flow rate compared to predecessor
- One housing nut replaces four screws
- Handwheel with built-in locking mechanism
- Overall length EN 558
- Connecting dimension: JIS B2238/39 10K
- Flat sealing faces/serrated

#### Option:

- Individual configuration of the valve (see diagram)
- Self adjusting multifunctional module with integrated limit switches



Inch	DN [mm]	PN	kv-value ( $\Delta p=1$ bar) [l/min]	PTFE/EPDM Code
1/2	15	10	125	<b>175 517 932</b>
3/4	20	10	271	<b>175 517 933</b>
1	25	10	481	<b>175 517 934</b>
1 1/4	32	10	759	<b>175 517 935</b>
1 1/2	40	10	1263	<b>175 517 936</b>
2	50	10	1728	<b>175 517 937</b>

Inch	D [mm]	D2 [mm]	D3 [mm]	D4 [mm]	D5 [mm]	L [mm]	L2 [mm]	H [mm]	H1 [mm]	H2 [mm]	M	Lift = Hx [mm]
1/2	65	65	95	70	15	110	25	73	14	12	M6	7
3/4	80	65	100	75	15	120	25	81	18	12	M6	10
1	88	87	125	90	19	130	25	107	22	12	M6	13
1 1/4	101	87	135	100	19	180	45	115	26	15	M8	15
1 1/2	117	135	140	105	19	180	45	148	32	15	M8	19
2	144	135	155	120	19	210	45	166	39	15	M8	25

# Diaphragm valves pneumatic

## New generation

### SYGEF Standard

#### Diaphragm valve DIASTAR Ten

#### FC (Fail safe to close)

#### With fixed flanges PVDF JIS



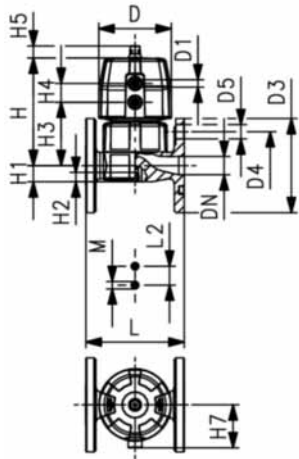
#### Model:

- Material: PVDF
- Double flow rate compared to predecessor
- One housing nut replaces four screws
- Rotating air connection at 90° intervals
- Connecting dimension: JIS B2238/39 10K
- Flat sealing faces/serrated

#### Option:

- Individual configuration of the valve (see diagram)
- Comprehensive range of accessories available

\* PN: PTFE/EPDM



Inch	DN [mm]	PN [bar]	kv-value ( $\Delta p=1$ bar) [l/min]	EPDM Code	PTFE/EPDM Code
½	15	10/10*	125	175 627 912	175 627 932
¾	20	10/10*	271	175 627 913	175 627 933
1	25	10/10*	481	175 627 914	175 627 934
1 ¼	32	10/10*	759	175 627 915	175 627 935
1 ½	40	10/10*	1263	175 627 916	175 627 936
2	50	10/6*	1728	175 627 917	175 627 937

Inch	D [mm]	D1_G [inch]	D3 [mm]	D4 [mm]	D5 [mm]	L [mm]	L2 [mm]	H [mm]	H1 [mm]	H2 [mm]	H3 [mm]	H4 [mm]	H5 [mm]	H7 [mm]	M
½	68	¾	95	70	15	110	25	101	14	12	60	24	16	43	M6
¾	96	¾	100	75	15	120	25	132	18	12	73	25	16	57	M6
1	96	¾	125	90	19	130	25	143	22	12	84	25	16	69	M6
1 ¼	120	¾	135	100	19	180	45	173	26	15	99	26	26	69	M8
1 ½	150	¾	140	105	19	180	45	193	32	15	119	36	26	88	M8
2	150	¾	155	120	19	210	45	205	39	15	132	36	26	88	M8

Inch	Lift = Hx [mm]
½	7
¾	10
1	13
1 ¼	15
1 ½	19
2	23



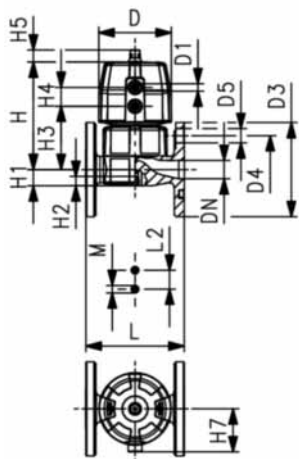
## SYGEF Standard Diaphragm valve DIASTAR Ten FO (Fail safe to open) With fixed flanges PVDF JIS

### Model:

- Material: PVDF
- Double flow rate compared to predecessor
- One housing nut replaces four screws
- Rotating air connection at 90° intervals
- Flat sealing faces/serrated
- Connecting dimension: JIS B2238/39 10K

### Option:

- Individual configuration of the valve (see diagram)
- Comprehensive range of accessories available



Inch	DN [mm]	PN [bar]	kv-value ( $\Delta p=1$ bar) [l/min]	EPDM Code	PTFE/EPDM Code
1/2	15	10	125	<b>175 647 912</b>	<b>175 647 932</b>
3/4	20	10	271	<b>175 647 913</b>	<b>175 647 933</b>
1	25	10	481	<b>175 647 914</b>	<b>175 647 934</b>
1 1/4	32	10	759	<b>175 647 915</b>	<b>175 647 935</b>
1 1/2	40	10	1263	<b>175 647 916</b>	<b>175 647 936</b>
2	50	10	1728	<b>175 647 917</b>	<b>175 647 937</b>

Inch	D [mm]	D1_G [inch]	D3 [mm]	D4 [mm]	D5 [mm]	L [mm]	L2 [mm]	H [mm]	H1 [mm]	H2 [mm]	H3 [mm]	H4 [mm]	H5 [mm]	H7 [mm]	M
1/2	68	1/8	95	70	15	110	25	101	14	12	60	24	16	57	M6
3/4	96	1/8	100	75	15	120	25	132	18	12	73	25	16	57	M6
1	96	1/8	125	90	19	130	25	143	22	12	84	25	16	69	M6
1 1/4	120	1/8	135	100	19	180	45	173	26	15	99	26	26	88	M8
1 1/2	150	1/4	140	105	19	180	45	214	32	15	119	36	26	103	M8
2	150	1/4	155	120	19	210	45	226	39	15	132	36	26	103	M8

Inch	Lift = Hx [mm]
1/2	7
3/4	10
1	13
1 1/4	15
1 1/2	19
2	23



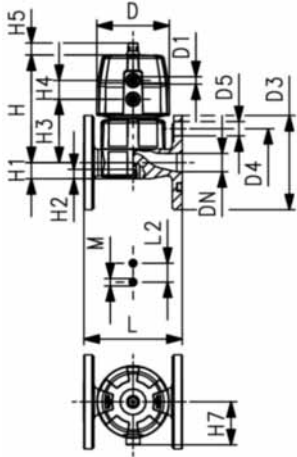
## SYGEF Standard Diaphragm valve DIASTAR Ten DA (Double acting) With fixed flanges PVDF JIS

### Model:

- Material: PVDF
- Double flow rate compared to predecessor
- One housing nut replaces four screws
- Rotating air connection at 90° intervals
- Flat sealing faces/serrated
- Connecting dimension: JIS B2238/39 10K

### Option:

- Individual configuration of the valve (see diagram)
- Comprehensive range of accessories available



Inch	DN [mm]	PN [bar]	kv-value ( $\Delta p=1$ bar) [l/min]	EPDM Code	PTFE/EPDM Code
½	15	10	125	<b>175 657 912</b>	<b>175 657 932</b>
¾	20	10	271	<b>175 657 913</b>	<b>175 657 933</b>
1	25	10	481	<b>175 657 914</b>	<b>175 657 934</b>
1 ¼	32	10	759	<b>175 657 915</b>	<b>175 657 935</b>
1 ½	40	10	1263	<b>175 657 916</b>	<b>175 657 936</b>
2	50	10	1728	<b>175 657 917</b>	<b>175 657 937</b>

Inch	D [mm]	D1_G [inch]	D3 [mm]	D4 [mm]	D5 [mm]	L [mm]	L2 [mm]	H [mm]	H1 [mm]	H2 [mm]	H3 [mm]	H4 [mm]	H5 [mm]	H7 [mm]	M
½	68	⅜	95	70	15	110	25	101	14	12	60	24	16	57	M6
¾	96	⅜	100	75	15	120	25	132	18	12	73	25	16	57	M6
1	96	⅜	125	90	19	130	25	143	22	12	84	25	16	69	M6
1 ¼	120	⅜	135	100	19	180	45	173	26	15	99	26	26	88	M8
1 ½	150	¼	140	105	19	180	45	214	32	15	119	36	26	103	M8
2	150	¼	155	120	19	210	45	226	39	15	132	36	26	103	M8

Inch	Lift = Hx [mm]
½	7
¾	10
1	13
1 ¼	15
1 ½	19
2	23





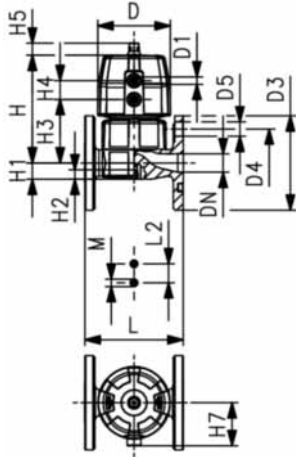
## SYGEF Standard Diaphragm valve DIASTAR Sixteen FC (Fail safe to close) With fixed flanges PVDF JIS

### Model:

- Material: PVDF
- Double flow rate compared to predecessor
- One housing nut replaces four screws
- Rotating air connection at 90° intervals
- Flat sealing faces/serrated
- Connecting dimension: JIS B2238/39 10K

### Option:

- Individual configuration of the valve (see diagram)
- Comprehensive range of accessories available



Inch	DN [mm]	PN [bar]	kv-value ( $\Delta p=1$ bar) [l/min]	EPDM Code	PTFE/EPDM Code
½	15	10	125	<b>175 637 912</b>	<b>175 637 932</b>
¾	20	10	271	<b>175 637 913</b>	<b>175 637 933</b>
1	25	10	481	<b>175 637 914</b>	<b>175 637 934</b>
1 ¼	32	10	759	<b>175 637 915</b>	<b>175 637 935</b>
1 ½	40	10	1263	<b>175 637 916</b>	<b>175 637 936</b>
2	50	10	1728	<b>175 637 917</b>	<b>175 637 937</b>

Inch	D [mm]	D1_G [inch]	D3 [mm]	D4 [mm]	D5 [mm]	L [mm]	L2 [mm]	H [mm]	H1 [mm]	H2 [mm]	H3 [mm]	H4 [mm]	H5 [mm]	H7 [mm]	M
½	96	⅜	95	70	15	110	25	127	14	12	68	25	16	57	M6
¾	96	⅝	100	75	15	120	25	132	18	12	73	25	16	57	M6
1	120	⅝	125	90	19	130	25	167	22	12	93	26	26	69	M6
1 ¼	150	¾	135	100	19	180	45	196	26	15	101	36	26	88	M8
1 ½	180	¾	140	105	19	180	45	239	32	15	124	37	26	103	M8
2	180	¾	155	120	19	210	45	251	39	15	137	37	26	103	M8

Inch	Lift = Hx [mm]
½	7
¾	10
1	13
1 ¼	15
1 ½	19
2	23

# Diaphragm valves new generation

## SYGEF Plus

### Diaphragm valve type 514

#### With butt fusion spigots metric

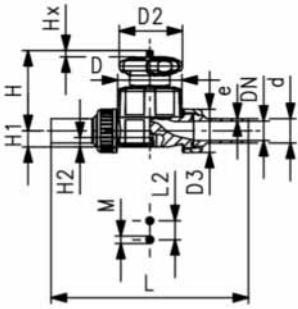


#### Model:

- Material: PVDF-HP
- Double flow rate compared to predecessor
- One housing nut replaces four screws
- Handwheel with built-in locking mechanism
- For easy installation and removal
- Short overall length

#### Option:

- Individual configuration of the valve (see diagram)
- Self adjusting multifunctional module with integrated limit switches



d [mm]	DN [mm]	PN	kv-value ( $\Delta p=1$ bar) [l/min]	PTFE/EPDM Code
20	15	16	125	<b>180 514 132</b>
25	20	16	271	<b>180 514 133</b>
32	25	16	481	<b>180 514 134</b>
40	32	16	759	<b>180 514 135</b>
50	40	16	1263	<b>180 514 136</b>
63	50	16	1728	<b>180 514 137</b>

d [mm]	D [mm]	D2 [mm]	D3 [mm]	L [mm]	L2 [mm]	H [mm]	H1 [mm]	H2 [mm]	M	Lift = Hx [mm]	e [mm]
20	65	65	43	196	25	73	14	12	M6	7	1.9
25	80	65	53	221	25	81	18	12	M6	10	1.9
32	88	87	60	234	25	107	22	12	M6	13	2.4
40	101	87	74	260	45	115	26	15	M8	15	2.4
50	117	135	82	284	45	148	32	15	M8	19	3.0
63	144	135	100	321	45	166	39	15	M8	25	3.0

## SYGEF Plus

### Diaphragm valve type 515

#### With butt fusion spigots metric

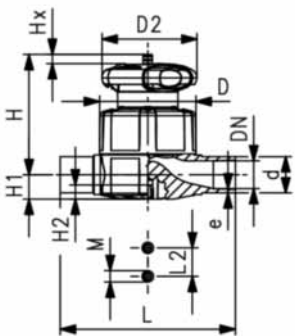


#### Model:

- Material: PVDF-HP
- Double flow rate compared to predecessor
- One housing nut replaces four screws
- Handwheel with built-in locking mechanism
- Overall length EN 558

#### Option:

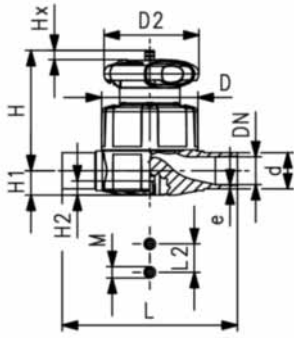
- Individual configuration of the valve (see diagram)
- Self adjusting multifunctional module with integrated limit switches



d [mm]	DN [mm]	PN	kv-value ( $\Delta p=1$ bar) [l/min]	PTFE/EPDM Code
20	15	16	125	<b>180 515 132</b>
25	20	16	271	<b>180 515 133</b>
32	25	16	481	<b>180 515 134</b>
40	32	16	759	<b>180 515 135</b>
50	40	16	1263	<b>180 515 136</b>
63	50	16	1728	<b>180 515 137</b>

d [mm]	D [mm]	D2 [mm]	L [mm]	L2 [mm]	H [mm]	H1 [mm]	H2 [mm]	M	Lift = Hx [mm]	e [mm]
20	65	65	124	25	73	14	12	M6	7	1.9
25	80	65	144	25	81	18	12	M6	10	1.9
32	88	87	155	25	107	22	12	M6	13	2.4

table continued next page



d [mm]	D [mm]	D2 [mm]	L [mm]	L2 [mm]	H [mm]	H1 [mm]	H2 [mm]	M	Lift = Hx [mm]	e [mm]
40	101	87	176	45	115	26	15	M8	15	2.4
50	117	135	193	45	148	32	15	M8	19	3.0
63	144	135	223	45	166	39	15	M8	25	3.0

## SYGEF Plus Diaphragm valve type 519 With butt fusion spigots metric



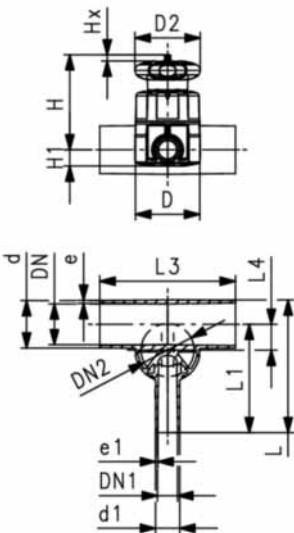
### Model:

- Material: PVDF-HP
- Double flow rate compared to predecessor
- One housing nut replaces four screws
- Handwheel with built-in locking mechanism
- Smallest possible dead space

### Option:

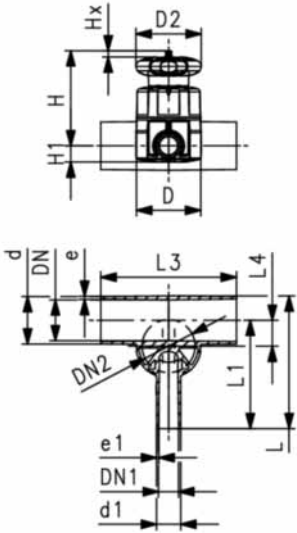
- Individual configuration of the valve (see diagram)
- Self adjusting multifunctional module with integrated limit switches

\* Available on request



d [mm]	d1 [mm]	DN [mm]	DN1 [mm]	DN2 [mm]	PN	kv-value ( $\Delta p=1$ bar) [l/min]	PTFE/EPDM Code
20	20	15	15	15	16	57	<b>180 519 301</b>
25	20	20	15	20	16	89	<b>180 519 303</b>
25	25	20	20	20	16	118	<b>180 519 304</b>
32	20	25	15	20	16	80	<b>180 519 307</b>
32	25	25	20	20	16	105	<b>180 519 308</b>
32	32	25	25	25	16	231	<b>180 519 309</b>
40	20	32	15	25	16	85	<b>180 519 312</b>
40	25	32	20	25	16	119	<b>180 519 313</b>
40	32	32	25	25	16	153	<b>180 519 314</b>
40	40	32	32	25	16	187	<b>180 519 315</b>
50	20	40	15	20	16	86	<b>180 519 318</b>
50	25	40	20	25	16	160	<b>180 519 319</b>
50	32	40	25	25	16	206	<b>180 519 320</b>
50	40	40	32	50	16	524	<b>180 519 321</b>
50	50	40	40	50	16	667	<b>180 519 322</b>
63	20	50	15	20	16	84	<b>180 519 325</b>
63	25	50	20	25	16	150	<b>180 519 326</b>
63	32	50	25	25	16	184	<b>180 519 327</b>
63	40	50	32	50	16	471	<b>180 519 328</b>
63	50	50	40	50	16	610	<b>180 519 329</b>
63	63	50	50	50	16	747	<b>180 519 330</b>
* 75	40	65	32	25	16	221	<b>180 519 336</b>
* 75	50	65	40	50	16	641	<b>180 519 337</b>
* 75	63	65	50	50	16	771	<b>180 519 338</b>
90	20	80	15	25	16	82	<b>180 519 341</b>
90	25	80	20	25	16	103	<b>180 519 342</b>
90	32	80	25	25	16	129	<b>180 519 343</b>
90	50	80	40	50	16	623	<b>180 519 345</b>
90	63	80	50	50	16	696	<b>180 519 346</b>
110	20	100	15	25	16	78	<b>180 519 351</b>
110	25	100	20	25	16	103	<b>180 519 352</b>
110	32	100	25	25	16	131	<b>180 519 353</b>
110	50	100	40	50	16	604	<b>180 519 355</b>
110	63	100	50	50	16	661	<b>180 519 356</b>

table continued next page



d [mm]	D [mm]	D2 [mm]	L [mm]	L1 [mm]	L3 [mm]	L4 [mm]	H [mm]	Lift = Hx [mm]	e [mm]	e1 [mm]
20	65	65	117	96	162	12	75	7	1.9	1.9
25	80	65	133	108	162	16	80	10	1.9	1.9
25	80	65	133	108	162	16	80	10	1.9	1.9
32	80	65	142	120	162	19	84	10	2.4	1.9
32	80	65	142	120	162	19	84	10	2.4	1.9
32	88	87	145	120	160	19	107	13	2.4	2.4
40	88	87	149	128	180	23	115	13	2.4	1.9
40	88	87	149	128	180	23	115	13	2.4	1.9
40	88	87	149	128	180	23	115	13	2.4	2.4
40	88	87	174	153	180	23	115	13	2.4	2.4
50	80	65	160	134	180	27	97	10	3.0	1.9
50	88	87	160	134	180	28	120	13	3.0	1.9
50	88	87	160	134	180	28	120	13	3.0	2.4
50	144	135	209	169	209	33	164	25	3.0	2.4
50	144	135	209	169	209	33	164	25	3.0	3.0
63	80	65	177	144	180	33	104	10	3.0	1.9
63	88	87	177	144	180	35	127	13	3.0	1.9
63	88	87	177	144	180	35	127	13	3.0	2.4
63	144	135	225	192	220	39	170	25	3.0	2.4
63	144	135	225	192	220	39	170	25	3.0	3.0
63	144	135	225	192	220	39	170	25	3.0	3.0
* 75	88	87	205	166	190	40	133	13	3.6	2.4
* 75	144	135	237	198	250	44	176	25	3.6	3.0
* 75	144	135	237	198	250	44	176	25	3.6	3.0
90	88	87	205	159	190	47	140	13	4.3	1.9
90	88	87	205	159	190	47	140	13	4.3	1.9
90	88	87	205	159	190	47	140	13	4.3	2.4
90	144	135	254	207	250	51	184	25	4.3	3.0
90	144	135	254	207	250	51	184	25	4.3	3.0
110	88	87	227	171	190	56	149	13	5.3	1.9
110	88	87	227	171	190	56	149	13	5.3	1.9
110	88	87	227	171	190	56	149	13	5.3	2.4
110	144	135	276	219	250	60	194	25	5.3	3.0
110	144	135	276	219	250	60	194	25	5.3	3.0

# Diaphragm valves pneumatic

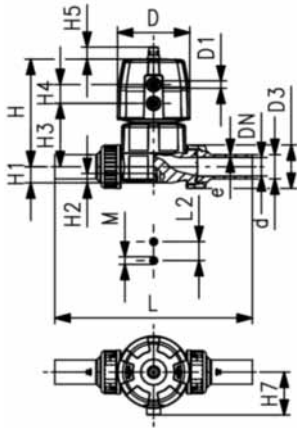
## New generation

### SYGEF Plus

### Diaphragm valve DIASTAR Ten

### FC (Fail safe to close)

### Unions with butt fusion spigots metric



#### Model:

- Material: PVDF-HP
- Double flow rate compared to predecessor
- One housing nut replaces four screws
- Rotating air connection at 90° intervals
- For easy installation and removal
- Short overall length

#### Option:

- Individual configuration of the valve (see diagram)
- Comprehensive range of accessories available

\* PN: PTFE/EPDM

d [mm]	DN [mm]	PN [bar]	kv-value ( $\Delta p=1$ bar) [l/min]	PTFE/EPDM Code
20	15	10/10*	125	<b>180 624 132</b>
25	20	10/10*	271	<b>180 624 133</b>
32	25	10/10*	481	<b>180 624 134</b>
40	32	10/10*	759	<b>180 624 135</b>
50	40	10/10*	1263	<b>180 624 136</b>
63	50	10/6*	1728	<b>180 624 137</b>

d [mm]	D [mm]	D1_G [inch]	L [mm]	L2 [mm]	H [mm]	H1 [mm]	H2 [mm]	H3 [mm]	H4 [mm]	H5 [mm]	H7 [mm]	M	Lift = Hx [mm]	e [mm]
20	68	1/8	196	25	101	14	12	60	24	16	43	M6	7	1.9
25	96	1/8	221	25	132	18	12	73	25	16	57	M6	10	1.9
32	96	1/8	234	25	143	22	12	84	25	16	57	M6	13	2.4
40	120	1/8	260	45	173	26	15	99	26	26	69	M8	15	2.4
50	150	1/4	284	45	214	32	15	119	36	26	88	M8	19	3.0
63	150	1/4	321	45	226	39	15	132	36	26	88	M8	23	3.0



## SYGEF Plus Diaphragm valve DIASTAR Ten FC (Fail safe to close) With butt fusion spigots metric

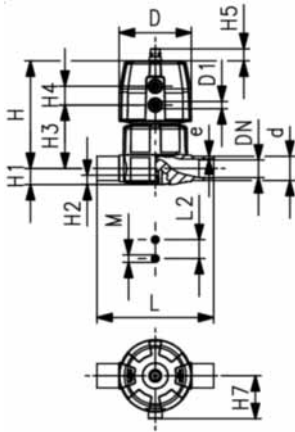
### Model:

- Material: PVDF-HP
- Double flow rate compared to predecessor
- One housing nut replaces four screws
- Rotating air connection at 90° intervals

### Option:

- Individual configuration of the valve (see diagram)
- Comprehensive range of accessories available

\* PN: PTFE/EPDM



d [mm]	DN [mm]	PN [bar]	kv-value ( $\Delta p=1$ bar) [l/min]	PTFE/EPDM Code
20	15	10/10*	125	<b>180 625 132</b>
25	20	10/10*	271	<b>180 625 133</b>
32	25	10/10*	481	<b>180 625 134</b>
40	32	10/10*	759	<b>180 625 135</b>
50	40	10/10*	1263	<b>180 625 136</b>
63	50	10/6*	1728	<b>180 625 137</b>

d [mm]	D [mm]	D1_G [inch]	L [mm]	L2 [mm]	H [mm]	H1 [mm]	H2 [mm]	H3 [mm]	H4 [mm]	H5 [mm]	H7 [mm]	M	Lift = Hx [mm]	e [mm]
20	68	1/8	124	25	101	14	12	60	24	16	43	M6	7	1.9
25	96	1/8	144	25	132	18	12	73	25	16	57	M6	10	1.9
32	96	1/8	154	25	143	22	12	84	25	16	57	M6	13	2.4
40	120	1/8	174	45	173	26	15	99	26	26	69	M8	15	2.4
50	150	1/4	194	45	214	32	15	119	36	26	88	M8	19	3.0
63	150	1/4	224	45	226	39	15	132	36	26	88	M8	23	3.0



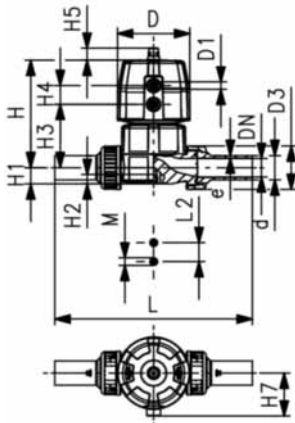
## SYGEF Plus Diaphragm valve DIASTAR Ten FO (Fail safe to open) Unions with butt fusion spigots metric

### Model:

- Material: PVDF-HP
- Double flow rate compared to predecessor
- One housing nut replaces four screws
- Rotating air connection at 90° intervals
- For easy installation and removal
- Short overall length

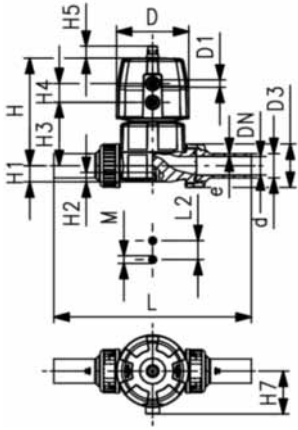
### Option:

- Individual configuration of the valve (see diagram)
- Comprehensive range of accessories available



d [mm]	DN [mm]	PN [bar]	kv-value ( $\Delta p=1$ bar) [l/min]	PTFE/EPDM Code
20	15	10	125	<b>180 644 132</b>
25	20	10	271	<b>180 644 133</b>
32	25	10	481	<b>180 644 134</b>
40	32	10	759	<b>180 644 135</b>
50	40	10	1263	<b>180 644 136</b>
63	50	10	1728	<b>180 644 137</b>

table continued next page



d [mm]	D [mm]	D1_G [inch]	L [mm]	L2 [mm]	H [mm]	H1 [mm]	H2 [mm]	H3 [mm]	H4 [mm]	H5 [mm]	H7 [mm]	M	Lift = Hx [mm]	e [mm]
20	68	1/8	196	25	101	14	12	60	24	16	43	M6	7	1.9
25	96	1/8	221	25	132	18	12	73	25	16	57	M6	10	1.9
32	96	1/8	234	25	143	22	12	84	25	16	57	M6	13	2.4
40	120	1/8	260	45	173	26	15	99	26	26	69	M8	15	2.4
50	150	1/4	284	45	214	32	15	119	36	26	69	M8	19	3.0
63	150	1/4	321	45	226	39	15	132	36	26	69	M8	23	3.0



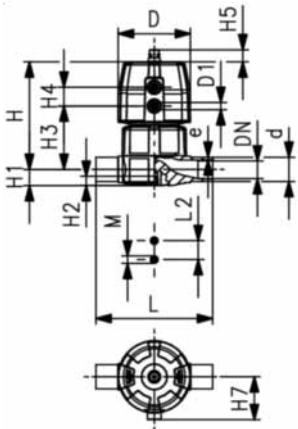
## SYGEF Plus Diaphragm valve DIASTAR Ten FO (Fail safe to open) With butt fusion spigots metric

### Model:

- Material: PVDF-HP
- Double flow rate compared to predecessor
- One housing nut replaces four screws
- Rotating air connection at 90° intervals

### Option:

- Individual configuration of the valve (see diagram)
- Comprehensive range of accessories available



d [mm]	DN [mm]	PN [bar]	kv-value ( $\Delta p=1$ bar) [l/min]	PTFE/EPDM Code
20	15	10	125	<b>180 645 132</b>
25	20	10	271	<b>180 645 133</b>
32	25	10	481	<b>180 645 134</b>
40	32	10	759	<b>180 645 135</b>
50	40	10	1263	<b>180 645 136</b>
63	50	10	1728	<b>180 645 137</b>

d [mm]	D [mm]	D1_G [inch]	L [mm]	L2 [mm]	H [mm]	H1 [mm]	H2 [mm]	H3 [mm]	H4 [mm]	H5 [mm]	H7 [mm]	M	Lift = Hx [mm]	e [mm]
20	68	1/8	124	25	101	14	12	60	24	16	43	M6	7	1.9
25	96	1/8	144	25	132	18	12	73	25	16	57	M6	10	1.9
32	96	1/8	154	25	143	22	12	84	25	16	57	M6	13	2.4
40	120	1/8	174	45	173	26	15	99	26	26	69	M8	15	2.4
50	150	1/4	194	45	214	32	15	119	36	26	88	M8	19	3.0
63	150	1/4	224	45	226	39	15	132	36	26	88	M8	23	3.0





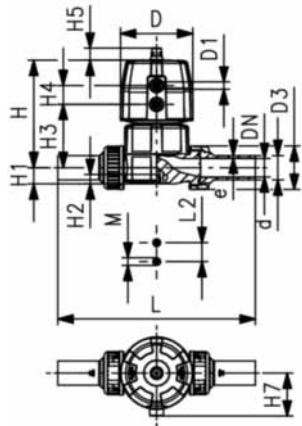
## SYGEF Plus Diaphragm valve DIASTAR Ten DA (Double acting) Unions with butt fusion spigots metric

### Model:

- Material: PVDF-HP
- Double flow rate compared to predecessor
- One housing nut replaces four screws
- Rotating air connection at 90° intervals
- For easy installation and removal
- Short overall length

### Option:

- Individual configuration of the valve (see diagram)
- Comprehensive range of accessories available



d [mm]	DN [mm]	PN [bar]	kv-value ( $\Delta p=1$ bar) [l/min]	PTFE/EPDM Code
20	15	10	125	<b>180 654 132</b>
25	20	10	271	<b>180 654 133</b>
32	25	10	481	<b>180 654 134</b>
40	32	10	759	<b>180 654 135</b>
50	40	10	1263	<b>180 654 136</b>
63	50	10	1728	<b>180 654 137</b>

d [mm]	D [mm]	D1_G [inch]	L [mm]	L2 [mm]	H [mm]	H1 [mm]	H2 [mm]	H3 [mm]	H4 [mm]	H5 [mm]	H7 [mm]	M	Lift = Hx [mm]	e [mm]
20	68	1/8	196	25	101	14	12	60	24	16	43	M6	7	1.9
25	96	1/8	221	25	132	18	12	73	25	16	57	M6	10	1.9
32	96	1/8	234	25	143	22	12	84	25	16	57	M6	13	2.4
40	120	1/8	260	45	173	26	15	99	26	26	69	M8	15	2.4
50	150	1/4	284	45	214	32	15	119	36	26	69	M8	19	3.0
63	150	1/4	321	45	226	39	15	132	36	26	69	M8	23	3.0



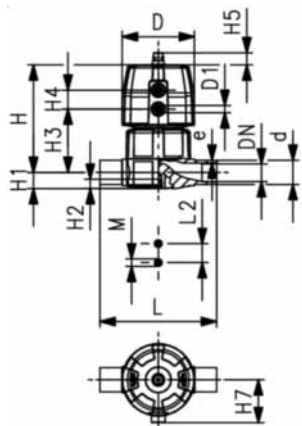
## SYGEF Plus Diaphragm valve DIASTAR Ten DA (Double acting) With butt fusion spigots metric

### Model:

- Material: PVDF-HP
- Double flow rate compared to predecessor
- One housing nut replaces four screws
- Rotating air connection at 90° intervals

### Option:

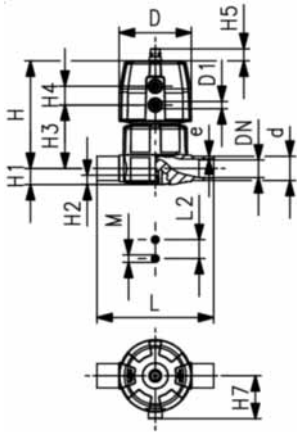
- Individual configuration of the valve (see diagram)
- Comprehensive range of accessories available



d [mm]	DN [mm]	PN [bar]	kv-value ( $\Delta p=1$ bar) [l/min]	PTFE/EPDM Code
20	15	10	125	<b>180 655 132</b>
25	20	10	271	<b>180 655 133</b>
32	25	10	481	<b>180 655 134</b>
40	32	10	759	<b>180 655 135</b>
50	40	10	1263	<b>180 655 136</b>
63	50	10	1728	<b>180 655 137</b>

d [mm]	D [mm]	D1_G [inch]	L [mm]	L2 [mm]	H [mm]	H1 [mm]	H2 [mm]	H3 [mm]	H4 [mm]	H5 [mm]	H7 [mm]	M	Lift = Hx [mm]	e [mm]
20	68	1/8	124	25	101	14	12	60	24	16	43	M6	7	1.9
25	96	1/8	144	25	132	18	12	73	25	16	57	M6	10	1.9
32	96	1/8	154	25	143	22	12	84	25	16	57	M6	13	2.4

table continued next page



d [mm]	D [mm]	D1_G [inch]	L [mm]	L2 [mm]	H [mm]	H1 [mm]	H2 [mm]	H3 [mm]	H4 [mm]	H5 [mm]	H7 [mm]	M	Lift = Hx [mm]	e [mm]
40	120	1/8	174	45	173	26	15	99	26	26	69	M8	15	2.4
50	150	1/4	194	45	214	32	15	119	36	26	88	M8	19	3.0
63	150	1/4	224	45	226	39	15	132	36	26	88	M8	23	3.0

## SYGEF Plus Diaphragm valve DIASTAR Sixteen FC (Fail safe to close) Unions with butt fusion spigots metric



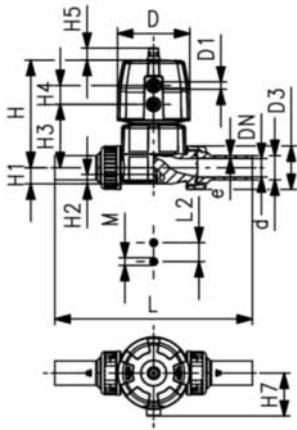
### Model:

- Material: PVDF-HP
- Double flow rate compared to predecessor
- One housing nut replaces four screws
- Rotating air connection at 90° intervals
- For easy installation and removal
- Short overall length

### Option:

- Individual configuration of the valve (see diagram)
- Comprehensive range of accessories available

\* PN: PTFE/EPDM



d [mm]	DN [mm]	PN [bar]	kv-value ( $\Delta p=1$ bar) [l/min]	PTFE/EPDM Code
20	15	16/16*	125	<b>180 634 132</b>
25	20	16/16*	271	<b>180 634 133</b>
32	25	16/16*	481	<b>180 634 134</b>
40	32	16/16*	759	<b>180 634 135</b>
50	40	16/16*	1263	<b>180 634 136</b>
63	50	16/10*	1728	<b>180 634 137</b>

d [mm]	D [mm]	D1_G [inch]	L [mm]	L2 [mm]	H [mm]	H1 [mm]	H2 [mm]	H3 [mm]	H4 [mm]	H5 [mm]	H7 [mm]	M	Lift = Hx [mm]	e [mm]
20	96	1/8	196	25	127	14	12	68	25	16	57	M6	7	1.9
25	96	1/8	221	25	132	18	12	73	25	16	57	M6	10	1.9
32	120	1/8	234	25	167	22	12	93	26	26	69	M6	13	2.4
40	150	1/4	260	45	196	26	15	101	36	26	88	M8	15	2.4
50	180	1/4	284	45	239	32	15	124	37	26	103	M8	19	3.0
63	180	1/4	321	45	251	39	15	137	37	26	103	M8	23	3.0



## SYGEF Plus Diaphragm valve DIASTAR Sixteen FC (Fail safe to close) With butt fusion spigots metric

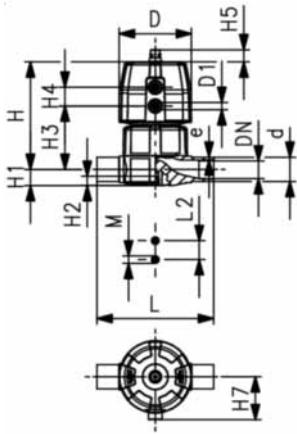
### Model:

- Material: PVDF-HP
- Double flow rate compared to predecessor
- One housing nut replaces four screws
- Rotating air connection at 90° intervals

### Option:

- Individual configuration of the valve (see diagram)
- Comprehensive range of accessories available

\* PN: PTFE/EPDM



d [mm]	DN [mm]	PN [bar]	kv-value ( $\Delta p=1$ bar) [l/min]	PTFE/EPDM Code
20	15	16/16*	125	<b>180 635 132</b>
25	20	16/16*	271	<b>180 635 133</b>
32	25	16/16*	481	<b>180 635 134</b>
40	32	16/16*	759	<b>180 635 135</b>
50	40	16/16*	1263	<b>180 635 136</b>
63	50	16/10*	1728	<b>180 635 137</b>

d [mm]	D [mm]	D1_G [inch]	L [mm]	L2 [mm]	H [mm]	H1 [mm]	H2 [mm]	H3 [mm]	H4 [mm]	H5 [mm]	H7 [mm]	M	Lift = Hx [mm]	e [mm]
20	96	1/8	124	25	127	14	12	68	25	16	57	M6	7	1.9
25	96	1/8	144	25	132	18	12	73	25	16	57	M6	10	1.9
32	120	1/8	154	25	167	22	12	93	26	26	69	M6	13	2.4
40	150	1/4	174	45	196	26	15	101	36	26	88	M8	15	2.4
50	180	1/4	194	45	239	32	15	124	37	26	103	M8	19	3.0
63	180	1/4	224	45	251	39	15	137	37	26	103	M8	23	3.0



## SYGEF Plus Diaphragm valve DIASTAR Sixteen FC (Fail safe to close) With butt fusion spigots metric

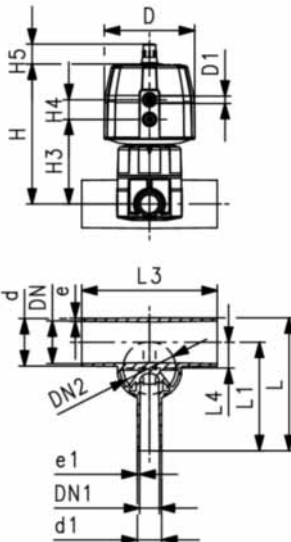
### Model:

- Material: PVDF-HP
- Double flow rate compared to predecessor
- One housing nut replaces four screws
- Rotating air connection at 90° intervals
- Smallest possible dead space

### Option:

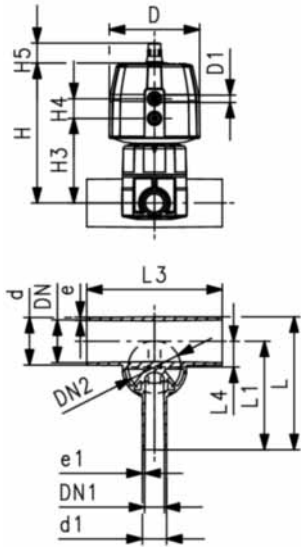
- Individual configuration of the valve (see diagram)
- Comprehensive range of accessories available

\* Available on request



d [mm]	d1 [mm]	DN [mm]	DN1 [mm]	DN2 [mm]	PN [bar]	kv-value ( $\Delta p=1$ bar) [l/min]	PTFE/EPDM Code
20	20	15	15	15	16	57	<b>180 639 301</b>
25	20	20	15	20	16	89	<b>180 639 303</b>
25	25	20	20	20	16	118	<b>180 639 304</b>
32	20	25	15	20	16	80	<b>180 639 307</b>
32	25	25	20	20	16	105	<b>180 639 308</b>
32	32	25	25	25	16	231	<b>180 639 309</b>
40	20	32	15	25	16	85	<b>180 639 312</b>
40	25	32	20	25	16	119	<b>180 639 313</b>
40	32	32	25	25	16	153	<b>180 639 314</b>
40	40	32	32	25	16	187	<b>180 639 315</b>
50	20	40	15	20	16	86	<b>180 639 318</b>

table continued next page



d [mm]	d1 [mm]	DN [mm]	DN1 [mm]	DN2 [mm]	PN [bar]	kv-value ( $\Delta p=1$ bar) [l/min]	PTFE/EPDM Code
50	25	40	20	25	16	160	<b>180 639 319</b>
50	32	40	25	25	16	206	<b>180 639 320</b>
50	40	40	32	50	10	524	<b>180 639 321</b>
50	50	40	40	50	10	667	<b>180 639 322</b>
63	20	50	15	20	16	84	<b>180 639 325</b>
63	25	50	20	25	16	150	<b>180 639 326</b>
63	32	50	25	25	16	184	<b>180 639 327</b>
63	40	50	32	50	10	471	<b>180 639 328</b>
63	50	50	40	50	10	610	<b>180 639 329</b>
63	63	50	50	50	10	747	<b>180 639 330</b>
* 75	40	65	32	25	16	221	<b>180 639 336</b>
* 75	50	65	40	50	10	641	<b>180 639 337</b>
* 75	63	65	50	50	10	771	<b>180 639 338</b>
90	20	80	15	25	16	82	<b>180 639 341</b>
90	25	80	20	25	16	103	<b>180 639 342</b>
90	32	80	25	25	16	129	<b>180 639 343</b>
90	50	80	40	50	10	623	<b>180 639 345</b>
90	63	80	50	50	10	696	<b>180 639 346</b>
110	20	100	15	25	16	78	<b>180 639 351</b>
110	25	100	20	25	16	103	<b>180 639 352</b>
110	32	100	25	25	16	131	<b>180 639 353</b>
110	50	100	40	50	10	604	<b>180 639 355</b>
110	63	100	50	50	10	661	<b>180 639 356</b>

d [mm]	D [mm]	D1 [inch]	L [mm]	L1 [mm]	L3 [mm]	L4 [mm]	H [mm]	H3 [mm]	H4 [mm]	H5 [mm]	Lift = Hx [mm]	e [mm]	e1 [mm]
20	96	1/8	117	96	162	12	130	71	25	16	7	1.9	1.9
25	96	1/8	133	108	162	16	131	72	25	16	10	1.9	1.9
25	96	1/8	133	108	162	16	131	72	25	16	10	1.9	1.9
32	96	1/8	142	120	162	19	135	76	25	16	10	2.4	1.9
32	96	1/8	142	120	162	19	135	76	25	16	10	2.4	1.9
32	120	1/8	145	120	160	19	167	93	26	26	13	2.4	2.4
40	120	1/8	149	128	180	23	175	101	26	26	13	2.4	1.9
40	120	1/8	149	128	180	23	175	101	26	26	13	2.4	1.9
40	120	1/8	149	128	180	23	175	101	26	26	13	2.4	2.4
40	120	1/8	174	153	180	23	175	101	26	26	13	2.4	2.4
50	96	1/8	160	134	180	27	148	90	25	16	10	3.0	1.9
50	120	1/8	160	134	180	28	180	106	26	26	13	3.0	1.9
50	120	1/8	160	134	180	28	180	106	26	26	13	3.0	2.4
50	180	1/4	209	169	209	33	249	135	37	26	23	3.0	2.4
50	180	1/4	209	169	209	33	249	135	37	26	23	3.0	3.0
63	96	1/8	177	144	180	33	155	96	25	16	10	3.0	1.9
63	120	1/8	177	144	180	35	187	113	26	26	13	3.0	1.9
63	120	1/8	177	144	180	35	187	113	26	26	13	3.0	2.4
63	180	1/4	225	192	220	39	255	141	37	26	23	3.0	2.4
63	180	1/4	225	192	220	39	255	141	37	26	23	3.0	3.0
63	180	1/4	225	192	220	39	255	141	37	26	23	3.0	3.0
* 75	120	1/8	205	166	190	40	193	119	26	26	13	3.6	2.4
* 75	180	1/4	237	198	250	44	262	147	37	26	23	3.6	3.0
* 75	180	1/4	237	198	250	44	262	147	37	26	23	3.6	3.0
90	120	1/8	205	159	190	47	200	126	26	26	13	4.3	1.9
90	120	1/8	205	159	190	47	200	126	26	26	13	4.3	1.9
90	120	1/8	205	159	190	47	200	126	26	26	13	4.3	2.4
90	180	1/4	254	207	250	51	269	155	37	26	23	4.3	3.0
90	180	1/4	254	207	250	51	269	155	37	26	23	4.3	3.0
110	120	1/8	227	171	190	56	209	135	26	26	13	5.3	1.9
110	120	1/8	227	171	190	56	209	135	26	26	13	5.3	1.9
110	120	1/8	227	171	190	56	209	135	26	26	13	5.3	2.4
110	180	1/4	276	219	250	60	279	165	37	26	23	5.3	3.0
110	180	1/4	276	219	250	60	279	165	37	26	23	5.3	3.0

# Spare parts diaphragm valves new generation

## Spare parts for hand-operated valves



### Bonnet complete



d [mm]	Inch	DN [mm]	Standard configuration PN10 Code	For pressure tight housing PN10 Code	Standard configuration PN16 Code
20	1/2	15	198 151 742	198 151 752	198 151 842
25	3/4	20	198 151 743	198 151 753	198 151 843
32	1	25	198 151 744	198 151 754	198 151 844
40	1 1/4	32	198 151 745	198 151 755	198 151 845
50	1 1/2	40	198 151 746	198 151 756	198 151 846
63	2	50	198 151 747	198 151 757	198 151 847

d [mm]	Inch	DN [mm]	For pressure tight housing PN16 Code
20	1/2	15	198 151 852
25	3/4	20	198 151 853
32	1	25	198 151 854
40	1 1/4	32	198 151 855
50	1 1/2	40	198 151 856
63	2	50	198 151 857

### Hand wheel



#### Model:

- Without position indicator

DN [mm]	Code
15 - 20	198 204 162
25 - 32	198 204 164
40 - 50	198 104 166

## Position indicator



d [mm]	Inch	DN [mm]	Code
20	½	15	<b>167 484 992</b>
25	¾	20	<b>167 484 993</b>
32	1	25	<b>167 484 994</b>
40	1 ¼	32	<b>167 484 995</b>
50	1 ½	40	<b>167 484 996</b>
63	2	50	<b>167 484 997</b>

## Spindle assembly



### Model:

- Incl. position indicator and compressor

DN-DN [mm]	Code
15 - 20	<b>198 204 327</b>
25 - 32	<b>198 204 328</b>
40 - 50	<b>198 204 329</b>

## Seal set



### Model:

- For manual valve - pressure tight housing
- Incl. position indicator

d [mm]	Inch	DN [mm]	EPDM Code
20	½	15	<b>198 000 892</b>
25	¾	20	<b>198 000 893</b>
32	1	25	<b>198 000 894</b>
40	1 ¼	32	<b>198 000 895</b>
50	1 ½	40	<b>198 000 896</b>
63	2	50	<b>198 000 897</b>

## Spare parts for automatic valves



## Diastar Six/Ten/Sixteen



d [mm]	Inch	DN [mm]	Diastar Six Code	Diastar Ten Code	Diastar Sixteen FC Code	Diastar Ten FO Code	
20	½	15	<b>198 151 762</b>	<b>198 151 772</b>	<b>198 151 782</b>	<b>198 151 792</b>	
25	¾	20	<b>198 151 763</b>	<b>198 151 773</b>	<b>198 151 783</b>	<b>198 151 793</b>	
32	1	25	<b>198 151 764</b>	<b>198 151 774</b>	<b>198 151 784</b>	<b>198 151 794</b>	
40	1 ¼	32	<b>198 151 765</b>	<b>198 151 775</b>	<b>198 151 785</b>	<b>198 151 795</b>	
50	1 ½	40	<b>198 151 766</b>	<b>198 151 776</b>	<b>198 151 786</b>	<b>198 151 796</b>	
63	2	50	<b>198 151 767</b>	<b>198 151 777</b>	<b>198 151 787</b>	<b>198 151 797</b>	

d [mm]	Inch	DN [mm]	Diastar Ten DA Code	
20	½	15	<b>198 151 802</b>	
25	¾	20	<b>198 151 803</b>	
32	1	25	<b>198 151 804</b>	
40	1 ¼	32	<b>198 151 805</b>	
50	1 ½	40	<b>198 151 806</b>	
63	2	50	<b>198 151 807</b>	

## Indicator cap



Size	Code	
1-2	<b>198 806 639</b>	
3-5	<b>198 806 640</b>	



## Compressor set



### Model:

- Incl. diaphragm holder

d [mm]	Inch	DN [mm]	Code
20	1/2	15	198 000 872
25	3/4	20	198 000 873
32	1	25	198 000 874
40	1 1/4	32	198 000 875
50	1 1/2	40	198 000 876
63	2	50	198 000 877

## Seal set



Size	Diastar Six/Ten/ Sixteen Code	Only for Diastar Six DN40/DN50 Code
Gr. 1	198 000 881	-
Gr. 2	198 000 882	-
Gr. 3	198 000 883	198 000 886
Gr. 4	198 000 884	-
Gr. 5	198 000 885	-

## Spare parts diaphragm



d [mm]	Inch	DN [mm]	NBR Code	EPDM Code	FPM Code	PTFE/EPDM Code	PTFE/EPDM HP Code
20	1/2	15	745 500 012	748 500 012	749 500 012	747 502 012	747 502 032
25	3/4	20	745 500 013	748 500 013	749 500 013	747 502 013	747 502 033
32	1	25	745 500 014	748 500 014	749 500 014	747 502 014	747 502 034
40	1 1/4	32	745 500 015	748 500 015	749 500 015	747 502 015	747 502 035
50	1 1/2	40	745 500 016	748 500 016	749 500 016	747 502 016	747 502 036
63	2	50	745 500 017	748 500 017	749 500 017	747 502 017	747 502 037

d [mm]	Inch	DN [mm]	PTFE/FPM Code
20	1/2	15	747 503 012
25	3/4	20	747 503 013
32	1	25	747 503 014
40	1 1/4	32	747 503 015
50	1 1/2	40	747 503 016
63	2	50	747 503 017

## Spare parts for valve body type 514

### Valve body with true union

#### Model:

- Without connection parts



d [mm]	Inch	DN [mm]	PVC-U Code	PVC-C Code	ABS Code	PP-H Code	PVDF Code
20	1/2	15	161 492 062	163 482 052	169 481 322	167 483 522	175 483 682
25	3/4	20	161 492 063	163 482 053	169 481 323	167 483 523	175 483 683
32	1	25	161 492 064	163 482 054	169 481 324	167 483 524	175 483 684
40	1 1/4	32	161 492 065	163 482 055	169 481 325	167 483 525	175 483 685
50	1 1/2	40	161 492 066	163 482 056	169 481 326	167 483 526	175 483 686
63	2	50	161 492 067	163 482 057	169 481 327	167 483 527	175 483 687

d [mm]	Inch	DN [mm]	PVDF HP Code
20	1/2	15	180 001 002
25	3/4	20	180 001 003
32	1	25	180 001 004

table continued next page

d [mm]	Inch	DN [mm]	PVDF HP Code
40	1 ¼	32	180 001 005
50	1 ½	40	180 001 006
63	2	50	180 001 007

## Union end

d [mm]	Inch	DN [mm]	PVC-U metric Code	PVC-U JIS Code	PVC-U BS Code	PVC-U ASTM Code	PP-H metric Code
20	¾	15	721 600 106	721 605 106	721 601 106	721 602 006	727 600 106
25	¾	20	721 600 107	721 605 107	721 601 107	721 602 007	727 600 107
32	1	20	721 600 108	721 605 108	721 601 108	721 602 008	727 600 108
40	1 ¼	32	721 600 109	721 605 109	721 601 109	721 602 009	727 600 109
50	1 ½	40	721 600 110	721 605 110	721 601 110	721 602 010	727 600 110
63	2	50	721 600 111	721 605 111	721 601 111	721 602 011	727 600 111

d [mm]	Inch	DN [mm]	PVDF metric Code
20	¾	15	735 600 106
25	¾	20	735 600 107
32	1	20	735 600 108
40	1 ¼	32	735 600 109
50	1 ½	40	735 600 110
63	2	50	735 600 111

## Union nut

d [mm]	Inch	DN [mm]	PVC-U Code	PVC-C Code	ABS Code	PP-H Code	PVDF Code
20	¾	15	721 690 006	723 690 006	729 690 406	727 690 406	735 690 406
25	¾	20	721 690 007	723 690 007	729 690 407	727 690 407	735 690 407
32	1	25	721 690 008	723 690 008	729 690 408	727 690 408	735 690 408
40	1 ¼	32	721 690 009	723 690 009	729 690 409	727 690 409	735 690 409
50	1 ½	40	721 690 010	723 690 010	729 690 410	727 690 410	735 690 410
63	2	50	721 690 011	723 690 011	729 690 411	727 690 411	735 690 411

## O-ring

d [mm]	Inch	DN [mm]	EPDM Code	FPM Code
20	¾	15	748 410 006	749 410 006
25	¾	20	748 410 007	749 410 007
32	1	25	748 410 008	749 410 008
40	1 ¼	32	748 410 009	749 410 009
50	1 ½	40	748 410 010	749 410 010
63	2	50	748 410 011	749 410 011

## Spare parts for valve body type 515

### Valve body with spigot ends



d [mm]	Inch	DN [mm]	PVC-U solvent ce- ment spigot Code	PVC-C solvent ce- ment spigot Code	ABS solvent ce- ment spigot Code	
20	½	15	161 492 072	163 482 062	169 481 862	
25	¾	20	161 492 073	163 482 063	169 481 863	
32	1	25	161 492 074	163 482 064	169 481 864	
40	1 ¼	32	161 492 075	163 482 065	169 481 865	
50	1 ½	40	161 492 076	163 482 066	169 481 866	
63	2	50	161 492 077	163 482 067	169 481 867	



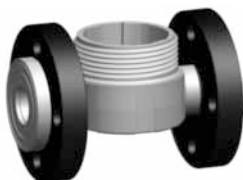
d [mm]	Inch	DN [mm]	PP-H socket fu- sion spigot Code	PP-H butt fusion spigot IR Code	PP-N butt fusion spigot IR Code	
20	½	15	167 483 342	167 483 882	168 480 462	
25	¾	20	167 483 343	167 483 883	168 480 463	
32	1	25	167 483 344	167 483 884	168 480 464	
40	1 ¼	32	167 483 345	167 483 885	168 480 465	
50	1 ½	40	167 483 346	167 483 886	168 480 466	
63	2	50	167 483 347	167 483 887	168 480 467	



d [mm]	Inch	DN [mm]	PVDF socket fu- sion spigot Code	PVDF butt fusion spigot IR Code	PVDF-HP butt fu- sion spigot IR Code	
20	½	15	175 483 692	175 483 742	180 001 012	
25	¾	20	175 483 693	175 483 743	180 001 013	
32	1	25	175 483 694	175 483 744	180 001 014	
40	1 ¼	32	175 483 695	175 483 745	180 001 015	
50	1 ½	40	175 483 696	175 483 746	180 001 016	
63	2	50	175 483 697	175 483 747	180 001 017	

## Spare parts for valve body type 517

### Valve body with flange connection



d [mm]	Inch	DN [mm]	PVC-U JIS Code	PP-H JIS Code	PVDF JIS Code	
20	½	15	161 480 282	167 484 402	175 483 532	
25	¾	20	161 480 283	167 484 403	175 483 533	
32	1	25	161 480 284	167 484 404	175 483 534	
40	1 ¼	32	161 480 285	167 484 405	175 483 535	
50	1 ½	40	161 480 286	167 484 406	175 483 536	
63	2	50	161 480 287	167 484 407	175 483 537	

### Flange adaptor flat



d [mm]	Inch	DN [mm]	PVC-U metric Code	PVC-C metric Code	ABS metric Code	PP-H metric Code	
20	½	15	721 800 106	723 790 106	729 790 106	727 790 206	
25	¾	20	721 800 107	723 790 107	729 790 107	727 790 207	
32	1	25	721 800 108	723 790 108	729 790 108	727 790 208	
40	1 ¼	32	721 800 109	723 790 109	729 790 109	727 790 209	
50	1 ½	40	721 800 110	723 790 110	729 790 110	727 790 210	
63	2	50	721 790 111	723 790 111	729 790 111	727 790 211	

d [mm]	Inch	DN [mm]	PVDF metric Code	
20	½	15	735 790 206	
25	¾	20	735 790 207	
32	1	25	735 790 208	

table continued next page

d [mm]	Inch	DN [mm]	PVDF metric Code
40	1 ¼	32	735 790 209
50	1 ½	40	735 790 210
63	2	50	735 790 211



## Flange

d [mm]	Inch	DN [mm]	PVC-U metric Code	PVC-U ASTM Code	PP-V metric Code	PP-V ASTM Code	PP-ST metric Code
20	½	15	721 700 006	721 702 206	727 700 406	727 701 406	727 700 206
25	¾	20	721 700 007	721 702 207	727 700 407	727 701 407	727 700 207
32	1	25	721 700 008	721 702 208	727 700 408	727 701 408	727 700 208
40	1 ¼	32	721 700 009	721 702 209	727 700 409	727 701 409	727 700 209
50	1 ½	40	721 700 010	721 702 210	727 700 410	727 701 410	727 700 210
63	2	50	721 700 011	721 702 211	727 700 411	727 701 411	727 700 211

d [mm]	Inch	DN [mm]	PP-ST ASTM Code
20	½	15	727 701 206
25	¾	20	727 701 207
32	1	25	727 701 208
40	1 ¼	32	727 701 209
50	1 ½	40	727 701 210
63	2	50	727 701 211



## Flat gasket

d [mm]	Inch	DN [mm]	EPDM Code	FPM Code
20	½	15	748 400 006	749 400 006
25	¾	20	748 400 007	749 400 007
32	1	25	748 400 008	749 400 008
40	1 ¼	32	748 400 009	749 400 009
50	1 ½	40	748 400 010	749 400 010
63	2	50	748 400 011	749 400 011

## Spare parts for valve body type 519

### Valve body with butt fusion spigot



d [mm]	Inch	PP-H Code	PP-Natur Code	PVDF-HP Code
20 - 20	½	167 485 911	168 480 601	180 001 101
25 - 20	¾	167 485 912	168 480 602	180 001 102
25 - 25	¾	167 485 913	168 480 603	180 001 103
32 - 20	1	167 485 914	168 480 604	180 001 104
32 - 25	1	167 485 915	168 480 605	180 001 105
32 - 32	1	167 485 916	168 480 606	180 001 106
40 - 20	1 ¼	167 485 917	168 480 607	180 001 107
40 - 25	1 ¼	167 485 918	168 480 608	180 001 108
40 - 32	1 ¼	167 485 920	168 480 609	180 001 109
40 - 40	1 ¼	167 485 921	168 480 610	180 001 110
50 - 20	1 ½	167 485 922	168 480 611	180 001 111
50 - 25	1 ½	167 485 923	168 480 612	180 001 112
50 - 32	1 ½	167 485 924	168 480 613	180 001 113
50 - 40	1 ½	167 485 925	168 480 614	180 001 114
50 - 50	1 ½	167 485 926	168 480 615	180 001 115
63 - 20	2	167 485 927	168 480 616	180 001 116
63 - 25	2	167 485 928	168 480 617	180 001 117
63 - 32	2	167 485 929	168 480 618	180 001 118
63 - 40	2	167 485 930	168 480 619	180 001 119
63 - 50	2	167 485 931	168 480 620	180 001 120
63 - 63	2	167 485 932	168 480 621	180 001 121
75 - 40	2 ½	167 485 933		180 001 122
75 - 50	2 ½	167 485 934		180 001 123

table continued next page

<b>d</b> [mm]	<b>Inch</b>	<b>PP-H Code</b>	<b>PP-Natur Code</b>	<b>PVDF-HP Code</b>
75 - 63	2 ½	<b>167 485 935</b>		<b>180 001 124</b>
90 - 20	3	<b>167 485 936</b>		<b>180 001 125</b>
90 - 25	3	<b>167 485 937</b>		<b>180 001 126</b>
90 - 32	3	<b>167 485 938</b>		<b>180 001 127</b>
90 - 50	3	<b>167 485 939</b>		<b>180 001 128</b>
90 - 63	3	<b>167 485 940</b>		<b>180 001 129</b>
110 - 20	4	<b>167 485 941</b>		<b>180 001 130</b>
110 - 25	4	<b>167 485 942</b>		<b>180 001 131</b>
110 - 32	4	<b>167 485 943</b>		<b>180 001 132</b>
110 - 50	4	<b>167 485 944</b>		<b>180 001 133</b>
110 - 63	4	<b>167 485 945</b>		<b>180 001 134</b>

# Index

Code	Page	Code	Page	Code	Page
161 480 282	201	161 514 612	35	161 517 614	36
161 480 283	201	161 514 613	35	161 517 615	36
161 480 284	201	161 514 614	35	161 517 616	36
161 480 285	201	161 514 615	35	161 517 617	36
161 480 286	201	161 514 616	35	161 517 622	48
161 480 287	201	161 514 617	35	161 517 623	48
161 492 062	199	161 514 622	47	161 517 624	48
161 492 063	199	161 514 623	47	161 517 625	48
161 492 064	199	161 514 624	47	161 517 626	48
161 492 065	199	161 514 625	47	161 517 627	48
161 492 066	199	161 514 626	47	161 517 912	50
161 492 067	199	161 514 627	47	161 517 913	50
161 492 072	201	161 514 712	35	161 517 914	50
161 492 073	201	161 514 713	35	161 517 915	50
161 492 074	201	161 514 714	35	161 517 916	50
161 492 075	201	161 514 715	35	161 517 917	50
161 492 076	201	161 514 716	35	161 517 922	62
161 492 077	201	161 514 717	35	161 517 923	62
161 514 001	12	161 514 812	49	161 517 924	62
161 514 002	12	161 514 813	49	161 517 925	62
161 514 003	12	161 514 814	49	161 517 926	62
161 514 004	12	161 514 815	49	161 517 927	62
161 514 005	12	161 514 816	49	161 614 011	16
161 514 006	12	161 514 817	49	161 614 012	16
161 514 007	12	161 514 822	61	161 614 013	16
161 514 021	27	161 514 823	61	161 614 014	16
161 514 022	27	161 514 824	61	161 614 015	16
161 514 023	27	161 514 825	61	161 614 016	16
161 514 024	27	161 514 826	61	161 614 017	16
161 514 025	27	161 514 827	61	161 614 412	17
161 514 026	27	161 514 912	49	161 614 413	17
161 514 027	27	161 514 913	49	161 614 414	17
161 514 212	13	161 514 914	49	161 614 415	17
161 514 213	13	161 514 915	49	161 614 416	17
161 514 214	13	161 514 916	49	161 614 417	17
161 514 215	13	161 514 917	49	161 614 512	31
161 514 216	13	161 514 922	61	161 614 513	31
161 514 217	13	161 514 923	61	161 614 514	31
161 514 312	13	161 514 924	61	161 614 515	31
161 514 313	13	161 514 925	61	161 614 516	31
161 514 314	13	161 514 926	61	161 614 517	31
161 514 315	14	161 514 927	61	161 614 612	37
161 514 316	14	161 515 002	14	161 614 613	37
161 514 317	14	161 515 003	14	161 614 614	37
161 514 402	12	161 515 004	14	161 614 615	37
161 514 403	12	161 515 005	14	161 614 616	37
161 514 404	12	161 515 006	14	161 614 617	37
161 514 405	12	161 515 007	14	161 614 712	37
161 514 406	12	161 515 022	28	161 614 713	37
161 514 407	12	161 515 023	28	161 614 714	37
161 514 422	27	161 515 024	28	161 614 715	37
161 514 423	27	161 515 025	28	161 614 716	37
161 514 424	27	161 515 026	28	161 614 717	37
161 514 425	27	161 515 027	28	161 614 812	51
161 514 426	27	161 517 002	15	161 614 813	51
161 514 427	27	161 517 003	15	161 614 814	51
161 514 502	30	161 517 004	15	161 614 815	51
161 514 503	30	161 517 005	15	161 614 816	51
161 514 504	30	161 517 006	15	161 614 817	51
161 514 505	30	161 517 007	15	161 614 912	51
161 514 506	30	161 517 022	29	161 614 913	51
161 514 507	30	161 517 023	29	161 614 914	51
161 514 522	47	161 517 024	29	161 614 915	51
161 514 523	47	161 517 025	29	161 614 916	51
161 514 524	47	161 517 026	29	161 614 917	51
161 514 525	47	161 517 027	29	161 615 012	17
161 514 526	47	161 517 612	36	161 615 013	17
161 514 527	47	161 517 613	36	161 615 014	17

# Index

Code	Page
161 615 015	17
161 615 016	17
161 615 017	17
161 617 012	18
161 617 013	18
161 617 014	18
161 617 015	18
161 617 016	18
161 617 017	18
161 617 612	38
161 617 613	38
161 617 614	38
161 617 615	38
161 617 616	38
161 617 617	38
161 617 912	52
161 617 913	52
161 617 914	52
161 617 915	52
161 617 916	52
161 617 917	52
161 617 922	63
161 617 923	63
161 617 924	63
161 617 925	63
161 617 926	63
161 617 927	63
161 624 011	18
161 624 012	18
161 624 013	18
161 624 014	18
161 624 015	18
161 624 016	18
161 624 017	18
161 624 512	31
161 624 513	31
161 624 514	31
161 624 515	31
161 624 516	31
161 624 517	31
161 624 612	39
161 624 613	39
161 624 614	39
161 624 615	39
161 624 616	39
161 624 617	39
161 624 712	39
161 624 713	39
161 624 714	39
161 624 715	39
161 624 716	39
161 624 717	39
161 624 812	53
161 624 813	53
161 624 814	53
161 624 815	53
161 624 816	53
161 624 817	53
161 624 912	53
161 624 913	53
161 624 914	53
161 624 915	53
161 624 916	53
161 624 917	53
161 625 012	19
161 625 013	19
161 625 014	19
161 625 015	19

Code	Page
161 625 016	19
161 625 017	19
161 627 012	20
161 627 013	20
161 627 014	20
161 627 015	20
161 627 016	20
161 627 017	20
161 627 612	40
161 627 613	40
161 627 614	40
161 627 615	40
161 627 616	40
161 627 617	40
161 627 912	54
161 627 913	54
161 627 914	54
161 627 915	54
161 627 916	54
161 627 917	54
161 627 922	64
161 627 923	64
161 627 924	64
161 627 925	64
161 627 926	64
161 627 927	64
161 634 011	25
161 634 012	25
161 634 013	25
161 634 014	25
161 634 015	25
161 634 016	25
161 634 017	25
161 634 512	33
161 634 513	33
161 634 514	33
161 634 515	33
161 634 516	33
161 634 517	33
161 634 612	45
161 634 613	45
161 634 614	45
161 634 615	45
161 634 616	45
161 634 617	45
161 634 712	45
161 634 713	45
161 634 714	45
161 634 715	45
161 634 716	45
161 634 717	45
161 634 812	59
161 634 813	59
161 634 814	59
161 634 815	59
161 634 816	59
161 634 817	59
161 634 912	59
161 634 913	59
161 634 914	59
161 634 915	59
161 634 916	59
161 634 917	59
161 635 012	25
161 635 013	25
161 635 014	25
161 635 015	25
161 635 016	25

Code	Page
161 635 017	25
161 637 012	26
161 637 013	26
161 637 014	26
161 637 015	26
161 637 016	26
161 637 017	26
161 637 612	46
161 637 613	46
161 637 614	46
161 637 615	46
161 637 616	46
161 637 617	46
161 637 912	60
161 637 913	60
161 637 914	60
161 637 915	60
161 637 916	60
161 637 917	60
161 637 922	67
161 637 923	67
161 637 924	67
161 637 925	67
161 637 926	67
161 637 927	67
161 644 011	21
161 644 012	21
161 644 013	21
161 644 014	21
161 644 015	21
161 644 016	21
161 644 017	21
161 644 512	32
161 644 513	32
161 644 514	32
161 644 515	32
161 644 516	32
161 644 517	32
161 644 612	41
161 644 613	41
161 644 614	41
161 644 615	41
161 644 616	41
161 644 617	41
161 644 712	41
161 644 713	41
161 644 714	41
161 644 715	41
161 644 716	41
161 644 717	41
161 644 812	55
161 644 813	55
161 644 814	55
161 644 815	55
161 644 816	55
161 644 817	55
161 644 912	55
161 644 913	55
161 644 914	55
161 644 915	55
161 644 916	55
161 644 917	55
161 645 012	21
161 645 013	21
161 645 014	21
161 645 015	21
161 645 016	21
161 645 017	21



# Index

Code	Page	Code	Page	Code	Page
161 647 012	22	161 657 013	24	163 517 815	92
161 647 013	22	161 657 014	24	163 517 816	92
161 647 014	22	161 657 015	24	163 517 817	92
161 647 015	22	161 657 016	24	163 614 012	70
161 647 016	22	161 657 017	24	163 614 013	70
161 647 017	22	161 657 612	44	163 614 014	70
161 647 612	42	161 657 613	44	163 614 015	70
161 647 613	42	161 657 614	44	163 614 016	70
161 647 614	42	161 657 615	44	163 614 017	70
161 647 615	42	161 657 616	44	163 614 612	82
161 647 616	42	161 657 617	44	163 614 613	82
161 647 617	42	161 657 912	58	163 614 614	82
161 647 912	56	161 657 913	58	163 614 615	82
161 647 913	56	161 657 914	58	163 614 616	82
161 647 914	56	161 657 915	58	163 614 617	82
161 647 915	56	161 657 916	58	163 615 012	70
161 647 916	56	161 657 917	58	163 615 013	70
161 647 917	56	161 657 922	66	163 615 014	70
161 647 922	65	161 657 923	66	163 615 015	70
161 647 923	65	161 657 924	66	163 615 016	70
161 647 924	65	161 657 925	66	163 615 017	70
161 647 925	65	161 657 926	66	163 617 112	71
161 647 926	65	161 657 927	66	163 617 113	71
161 647 927	65	163 514 012	68	163 617 114	71
161 654 011	23	163 514 013	68	163 617 115	71
161 654 012	23	163 514 014	68	163 617 116	71
161 654 013	23	163 514 015	68	163 617 117	71
161 654 014	23	163 514 016	68	163 617 712	82
161 654 015	23	163 514 017	68	163 617 713	82
161 654 016	23	163 514 612	80	163 617 714	82
161 654 017	23	163 514 613	80	163 617 715	82
161 654 512	33	163 514 614	80	163 617 716	82
161 654 513	33	163 514 615	80	163 617 717	82
161 654 514	33	163 514 616	80	163 624 012	72
161 654 515	33	163 514 617	80	163 624 013	72
161 654 516	33	163 514 622	90	163 624 014	72
161 654 517	33	163 514 623	90	163 624 015	72
161 654 612	43	163 514 624	90	163 624 016	72
161 654 613	43	163 514 625	90	163 624 017	72
161 654 614	43	163 514 626	90	163 624 612	83
161 654 615	43	163 514 627	90	163 624 613	83
161 654 616	43	163 515 012	68	163 624 614	83
161 654 617	43	163 515 013	68	163 624 615	83
161 654 712	43	163 515 014	68	163 624 616	83
161 654 713	43	163 515 015	68	163 624 617	83
161 654 714	43	163 515 016	68	163 625 012	72
161 654 715	43	163 515 017	68	163 625 013	72
161 654 716	43	163 517 112	69	163 625 014	72
161 654 717	43	163 517 113	69	163 625 015	72
161 654 812	57	163 517 114	69	163 625 016	72
161 654 813	57	163 517 115	69	163 625 017	72
161 654 814	57	163 517 116	69	163 627 112	73
161 654 815	57	163 517 117	69	163 627 113	73
161 654 816	57	163 517 712	80	163 627 114	73
161 654 817	57	163 517 713	80	163 627 115	73
161 654 912	57	163 517 714	80	163 627 116	73
161 654 913	57	163 517 715	80	163 627 117	73
161 654 914	57	163 517 716	80	163 627 712	84
161 654 915	57	163 517 717	80	163 627 713	84
161 654 916	57	163 517 722	90	163 627 714	84
161 654 917	57	163 517 723	90	163 627 715	84
161 655 012	23	163 517 724	90	163 627 716	84
161 655 013	23	163 517 725	90	163 627 717	84
161 655 014	23	163 517 726	90	163 634 012	78
161 655 015	23	163 517 727	90	163 634 013	78
161 655 016	23	163 517 812	92	163 634 014	78
161 655 017	23	163 517 813	92	163 634 015	78
161 657 012	24	163 517 814	92	163 634 016	78

# Index

Code	Page	Code	Page	Code	Page
163 634 017	78	163 655 013	76	167 514 027	157
163 634 612	88	163 655 014	76	167 514 102	110
163 634 613	88	163 655 015	76	167 514 103	110
163 634 614	88	163 655 016	76	167 514 104	110
163 634 615	88	163 655 017	76	167 514 105	110
163 634 616	88	163 657 112	77	167 514 106	110
163 634 617	88	163 657 113	77	167 514 107	110
163 635 012	78	163 657 114	77	167 514 122	157
163 635 013	78	163 657 115	77	167 514 123	157
163 635 014	78	163 657 116	77	167 514 124	157
163 635 015	78	163 657 117	77	167 514 125	157
163 635 016	78	163 657 712	87	167 514 126	157
163 635 017	78	163 657 713	87	167 514 127	157
163 637 112	79	163 657 714	87	167 514 212	109
163 637 113	79	163 657 715	87	167 514 213	109
163 637 114	79	163 657 716	87	167 514 214	109
163 637 115	79	163 657 717	87	167 514 215	109
163 637 116	79	167 484 992	197	167 514 216	109
163 637 117	79	167 484 993	197	167 514 217	109
163 637 712	88	167 484 994	197	167 514 312	111
163 637 713	88	167 484 995	197	167 514 313	111
163 637 714	88	167 484 996	197	167 514 314	111
163 637 715	88	167 484 997	197	167 514 315	111
163 637 716	88	167 485 911	202	167 514 316	111
163 637 717	88	167 485 912	202	167 514 317	111
163 644 012	74	167 485 913	202	167 515 002	111
163 644 013	74	167 485 914	202	167 515 003	111
163 644 014	74	167 485 915	202	167 515 004	111
163 644 015	74	167 485 916	202	167 515 005	111
163 644 016	74	167 485 917	202	167 515 006	111
163 644 017	74	167 485 918	202	167 515 007	111
163 644 612	85	167 485 920	202	167 515 022	158
163 644 613	85	167 485 921	202	167 515 023	158
163 644 614	85	167 485 922	202	167 515 024	158
163 644 615	85	167 485 923	202	167 515 025	158
163 644 616	85	167 485 924	202	167 515 026	158
163 644 617	85	167 485 925	202	167 515 027	158
163 645 012	74	167 485 926	202	167 515 102	112
163 645 013	74	167 485 927	202	167 515 103	112
163 645 014	74	167 485 928	202	167 515 104	112
163 645 015	74	167 485 929	202	167 515 105	112
163 645 016	74	167 485 930	202	167 515 106	112
163 645 017	74	167 485 931	202	167 515 107	112
163 647 112	75	167 485 932	202	167 515 122	159
163 647 113	75	167 485 933	202	167 515 123	159
163 647 114	75	167 485 934	202	167 515 124	159
163 647 115	75	167 485 935	203	167 515 125	159
163 647 116	75	167 485 936	203	167 515 126	159
163 647 117	75	167 485 937	203	167 515 127	159
163 647 712	85	167 485 938	203	167 517 102	113
163 647 713	85	167 485 939	203	167 517 103	113
163 647 714	85	167 485 940	203	167 517 104	113
163 647 715	85	167 485 941	203	167 517 105	113
163 647 716	85	167 485 942	203	167 517 106	113
163 647 717	85	167 485 943	203	167 517 107	113
163 654 012	76	167 485 944	203	167 517 122	159
163 654 013	76	167 485 945	203	167 517 123	159
163 654 014	76	167 514 002	109	167 517 124	159
163 654 015	76	167 514 003	109	167 517 125	159
163 654 016	76	167 514 004	109	167 517 126	159
163 654 017	76	167 514 005	109	167 517 127	159
163 654 612	86	167 514 006	109	167 517 712	133
163 654 613	86	167 514 007	109	167 517 713	133
163 654 614	86	167 514 022	157	167 517 714	133
163 654 615	86	167 514 023	157	167 517 715	133
163 654 616	86	167 514 024	157	167 517 716	133
163 654 617	86	167 514 025	157	167 517 717	133
163 655 012	76	167 514 026	157	167 517 913	139

# Index

Code	Page	Code	Page	Code	Page
167 517 914	139	167 617 713	134	167 634 015	129
167 517 915	139	167 617 714	134	167 634 016	129
167 517 916	139	167 617 715	134	167 634 017	129
167 517 917	139	167 617 716	134	167 634 112	129
167 517 932	139	167 617 717	134	167 634 113	129
167 517 972	151	167 617 912	140	167 634 114	129
167 517 973	151	167 617 913	140	167 634 115	129
167 517 974	151	167 617 914	140	167 634 116	129
167 517 975	151	167 617 915	140	167 634 117	129
167 517 976	151	167 617 916	140	167 635 012	130
167 517 977	151	167 617 917	140	167 635 013	130
167 519 101	113	167 617 922	152	167 635 014	130
167 519 103	113	167 617 923	152	167 635 015	130
167 519 104	113	167 617 924	152	167 635 016	130
167 519 107	113	167 617 925	152	167 635 017	130
167 519 108	113	167 617 926	152	167 635 112	131
167 519 109	113	167 617 927	152	167 635 113	131
167 519 112	113	167 624 012	118	167 635 114	131
167 519 118	113	167 624 013	118	167 635 115	131
167 519 119	113	167 624 014	118	167 635 116	131
167 519 120	113	167 624 015	118	167 635 117	131
167 519 125	114	167 624 016	118	167 637 112	131
167 519 126	114	167 624 017	118	167 637 113	131
167 519 127	114	167 624 112	119	167 637 114	131
167 519 201	160	167 624 113	119	167 637 115	131
167 519 203	160	167 624 114	119	167 637 116	131
167 519 204	160	167 624 115	119	167 637 117	131
167 519 207	160	167 624 116	119	167 637 712	138
167 519 208	160	167 624 117	119	167 637 713	138
167 519 209	160	167 625 012	119	167 637 714	138
167 519 212	160	167 625 013	119	167 637 715	138
167 519 218	160	167 625 014	119	167 637 716	138
167 519 219	160	167 625 015	119	167 637 717	138
167 519 220	160	167 625 016	119	167 637 912	144
167 519 225	160	167 625 017	119	167 637 913	144
167 519 226	160	167 625 112	120	167 637 914	144
167 519 227	160	167 625 113	120	167 637 915	144
167 614 012	115	167 625 114	120	167 637 916	144
167 614 013	115	167 625 115	120	167 637 917	144
167 614 014	115	167 625 116	120	167 637 922	156
167 614 015	115	167 625 117	120	167 637 923	156
167 614 016	115	167 627 112	121	167 637 924	156
167 614 017	115	167 627 113	121	167 637 925	156
167 614 112	115	167 627 114	121	167 637 926	156
167 614 113	115	167 627 115	121	167 637 927	156
167 614 114	115	167 627 116	121	167 639 101	132
167 614 115	115	167 627 117	121	167 639 103	132
167 614 116	115	167 627 712	135	167 639 104	132
167 614 117	115	167 627 713	135	167 639 107	132
167 615 012	116	167 627 714	135	167 639 108	132
167 615 013	116	167 627 715	135	167 639 109	132
167 615 014	116	167 627 716	135	167 639 112	132
167 615 015	116	167 627 717	135	167 639 118	132
167 615 016	116	167 627 912	141	167 639 119	132
167 615 017	116	167 627 913	141	167 639 120	132
167 615 112	117	167 627 914	141	167 639 125	132
167 615 113	117	167 627 915	141	167 639 126	132
167 615 114	117	167 627 916	141	167 639 127	132
167 615 115	117	167 627 917	141	167 644 012	122
167 615 116	117	167 627 922	153	167 644 013	122
167 615 117	117	167 627 923	153	167 644 014	122
167 617 112	117	167 627 924	153	167 644 015	122
167 617 113	117	167 627 925	153	167 644 016	122
167 617 114	117	167 627 926	153	167 644 017	122
167 617 115	117	167 627 927	153	167 644 112	122
167 617 116	117	167 634 012	129	167 644 113	122
167 617 117	117	167 634 013	129	167 644 114	122
167 617 712	134	167 634 014	129	167 644 115	122

# Index

Code	Page	Code	Page	Code	Page
167 644 116	122	167 657 712	137	168 645 112	148
167 644 117	122	167 657 713	137	168 645 113	148
167 645 012	123	167 657 714	137	168 645 114	148
167 645 013	123	167 657 715	137	168 645 115	148
167 645 014	123	167 657 716	137	168 645 116	148
167 645 015	123	167 657 717	137	168 645 117	148
167 645 016	123	167 657 912	143	168 655 112	149
167 645 017	123	167 657 913	143	168 655 113	149
167 645 112	124	167 657 914	143	168 655 114	149
167 645 113	124	167 657 915	143	168 655 115	149
167 645 114	124	167 657 916	143	168 655 116	149
167 645 115	124	167 657 917	143	168 655 117	149
167 645 116	124	167 657 922	155	169 514 012	93
167 645 117	124	167 657 923	155	169 514 013	93
167 647 112	124	167 657 924	155	169 514 014	93
167 647 113	124	167 657 925	155	169 514 015	93
167 647 114	124	167 657 926	155	169 514 016	93
167 647 115	124	167 657 927	155	169 514 017	93
167 647 116	124	168 515 112	145	169 514 512	104
167 647 117	124	168 515 113	145	169 514 513	104
167 647 712	136	168 515 114	145	169 514 514	104
167 647 713	136	168 515 115	145	169 514 515	104
167 647 714	136	168 515 116	145	169 514 516	104
167 647 715	136	168 515 117	145	169 514 517	104
167 647 716	136	168 519 101	145	169 515 012	93
167 647 717	136	168 519 103	145	169 515 013	93
167 647 912	142	168 519 104	145	169 515 014	93
167 647 913	142	168 519 107	145	169 515 015	93
167 647 914	142	168 519 108	145	169 515 016	93
167 647 915	142	168 519 109	145	169 515 017	93
167 647 916	142	168 519 112	145	169 614 012	94
167 647 917	142	168 519 118	145	169 614 013	94
167 647 922	154	168 519 119	145	169 614 014	94
167 647 923	154	168 519 120	145	169 614 015	94
167 647 924	154	168 519 125	145	169 614 016	94
167 647 925	154	168 519 126	145	169 614 017	94
167 647 926	154	168 519 127	145	169 614 512	105
167 647 927	154	168 615 112	147	169 614 513	105
167 654 012	125	168 615 113	147	169 614 514	105
167 654 013	125	168 615 114	147	169 614 515	105
167 654 014	125	168 615 115	147	169 614 516	105
167 654 015	125	168 615 116	147	169 614 517	105
167 654 016	125	168 615 117	147	169 615 012	94
167 654 017	125	168 625 112	147	169 615 013	94
167 654 112	126	168 625 113	147	169 615 014	94
167 654 113	126	168 625 114	147	169 615 015	94
167 654 114	126	168 625 115	147	169 615 016	94
167 654 115	126	168 625 116	147	169 615 017	94
167 654 116	126	168 625 117	147	169 617 112	95
167 654 117	126	168 635 112	149	169 617 113	95
167 655 012	126	168 635 113	149	169 617 114	95
167 655 013	126	168 635 114	149	169 617 115	95
167 655 014	126	168 635 115	149	169 617 116	95
167 655 015	126	168 635 116	149	169 617 117	95
167 655 016	126	168 635 117	149	169 624 012	96
167 655 017	126	168 639 101	150	169 624 013	96
167 655 112	127	168 639 103	150	169 624 014	96
167 655 113	127	168 639 104	150	169 624 015	96
167 655 114	127	168 639 107	150	169 624 016	96
167 655 115	127	168 639 108	150	169 624 017	96
167 655 116	127	168 639 109	150	169 624 512	105
167 655 117	127	168 639 112	150	169 624 513	105
167 657 112	128	168 639 118	150	169 624 514	105
167 657 113	128	168 639 119	150	169 624 515	105
167 657 114	128	168 639 120	150	169 624 516	105
167 657 115	128	168 639 125	150	169 624 517	105
167 657 116	128	168 639 126	150	169 625 012	96
167 657 117	128	168 639 127	150	169 625 013	96

# Index

Code	Page	Code	Page	Code	Page
169 625 014	96	169 654 516	107	175 625 032	166
169 625 015	96	169 654 517	107	175 625 033	166
169 625 016	96	169 655 012	100	175 625 034	166
169 625 017	96	169 655 013	100	175 625 035	166
169 627 112	97	169 655 014	100	175 625 036	166
169 627 113	97	169 655 015	100	175 625 037	166
169 627 114	97	169 655 016	100	175 625 132	167
169 627 115	97	169 655 017	100	175 625 133	167
169 627 116	97	169 657 112	101	175 625 134	167
169 627 117	97	169 657 113	101	175 625 135	167
169 634 012	102	169 657 114	101	175 625 136	167
169 634 013	102	169 657 115	101	175 625 137	167
169 634 014	102	169 657 116	101	175 627 132	167
169 634 015	102	169 657 117	101	175 627 133	167
169 634 016	102	175 514 032	161	175 627 134	167
169 634 017	102	175 514 033	161	175 627 135	167
169 634 512	107	175 514 034	161	175 627 136	167
169 634 513	107	175 514 035	161	175 627 137	167
169 634 514	107	175 514 036	161	175 627 732	168
169 634 515	107	175 514 037	161	175 627 733	168
169 634 516	107	175 514 132	161	175 627 734	168
169 634 517	107	175 514 133	161	175 627 735	168
169 635 012	102	175 514 134	161	175 627 736	168
169 635 013	102	175 514 135	161	175 627 737	168
169 635 014	102	175 514 136	161	175 627 912	182
169 635 015	102	175 514 137	161	175 627 913	182
169 635 016	102	175 515 032	162	175 627 914	182
169 635 017	102	175 515 033	162	175 627 915	182
169 637 112	103	175 515 034	162	175 627 916	182
169 637 113	103	175 515 035	162	175 627 917	182
169 637 114	103	175 515 036	162	175 634 032	177
169 637 115	103	175 515 037	162	175 634 033	177
169 637 116	103	175 515 132	163	175 634 034	177
169 637 117	103	175 515 133	163	175 634 035	177
169 644 012	98	175 515 134	163	175 634 036	177
169 644 013	98	175 515 135	163	175 634 037	177
169 644 014	98	175 515 136	163	175 634 132	177
169 644 015	98	175 515 137	163	175 634 133	177
169 644 016	98	175 517 132	163	175 634 134	177
169 644 017	98	175 517 133	163	175 634 135	177
169 644 512	106	175 517 134	163	175 634 136	177
169 644 513	106	175 517 135	163	175 634 137	177
169 644 514	106	175 517 136	163	175 635 032	178
169 644 515	106	175 517 137	163	175 635 033	178
169 644 516	106	175 517 732	164	175 635 034	178
169 644 517	106	175 517 733	164	175 635 035	178
169 645 012	98	175 517 734	164	175 635 036	178
169 645 013	98	175 517 735	164	175 635 037	178
169 645 014	98	175 517 736	164	175 635 132	179
169 645 015	98	175 517 737	164	175 635 133	179
169 645 016	98	175 517 932	181	175 635 134	179
169 645 017	98	175 517 933	181	175 635 135	179
169 647 112	99	175 517 934	181	175 635 136	179
169 647 113	99	175 517 935	181	175 635 137	179
169 647 114	99	175 517 936	181	175 637 132	179
169 647 115	99	175 517 937	181	175 637 133	179
169 647 116	99	175 624 032	165	175 637 134	179
169 647 117	99	175 624 033	165	175 637 135	179
169 654 012	100	175 624 034	165	175 637 136	179
169 654 013	100	175 624 035	165	175 637 137	179
169 654 014	100	175 624 036	165	175 637 732	180
169 654 015	100	175 624 037	165	175 637 733	180
169 654 016	100	175 624 132	165	175 637 734	180
169 654 017	100	175 624 133	165	175 637 735	180
169 654 512	107	175 624 134	165	175 637 736	180
169 654 513	107	175 624 135	165	175 637 737	180
169 654 514	107	175 624 136	165	175 637 912	185
169 654 515	107	175 624 137	165	175 637 913	185

# Index

Code	Page	Code	Page	Code	Page
175 637 914	185	175 655 136	175	180 624 134	189
175 637 915	185	175 655 137	175	180 624 135	189
175 637 916	185	175 657 132	175	180 624 136	189
175 637 917	185	175 657 133	175	180 624 137	189
175 644 032	169	175 657 134	175	180 625 132	190
175 644 033	169	175 657 135	175	180 625 133	190
175 644 034	169	175 657 136	175	180 625 134	190
175 644 035	169	175 657 137	175	180 625 135	190
175 644 036	169	175 657 732	176	180 625 136	190
175 644 037	169	175 657 733	176	180 625 137	190
175 644 132	169	175 657 734	176	180 634 132	193
175 644 133	169	175 657 735	176	180 634 133	193
175 644 134	169	175 657 736	176	180 634 134	193
175 644 135	169	175 657 737	176	180 634 135	193
175 644 136	169	175 657 912	184	180 634 136	193
175 644 137	169	175 657 913	184	180 634 137	193
175 645 032	170	175 657 914	184	180 635 132	194
175 645 033	170	175 657 915	184	180 635 133	194
175 645 034	170	175 657 916	184	180 635 134	194
175 645 035	170	175 657 917	184	180 635 135	194
175 645 036	170	180 514 132	186	180 635 136	194
175 645 037	170	180 514 133	186	180 635 137	194
175 645 132	171	180 514 134	186	180 639 301	194
175 645 133	171	180 514 135	186	180 639 303	194
175 645 134	171	180 514 136	186	180 639 304	194
175 645 135	171	180 514 137	186	180 639 307	194
175 645 136	171	180 515 132	186	180 639 308	194
175 645 137	171	180 515 133	186	180 639 309	194
175 647 132	171	180 515 134	186	180 639 312	194
175 647 133	171	180 515 135	186	180 639 313	194
175 647 134	171	180 515 136	186	180 639 314	194
175 647 135	171	180 515 137	186	180 639 315	194
175 647 136	171	180 519 301	187	180 639 318	194
175 647 137	171	180 519 303	187	180 639 319	195
175 647 732	172	180 519 304	187	180 639 320	195
175 647 733	172	180 519 307	187	180 639 321	195
175 647 734	172	180 519 308	187	180 639 322	195
175 647 735	172	180 519 309	187	180 639 325	195
175 647 736	172	180 519 312	187	180 639 326	195
175 647 737	172	180 519 313	187	180 639 327	195
175 647 912	183	180 519 314	187	180 639 328	195
175 647 913	183	180 519 315	187	180 639 329	195
175 647 914	183	180 519 318	187	180 639 330	195
175 647 915	183	180 519 319	187	180 639 336	195
175 647 916	183	180 519 320	187	180 639 337	195
175 647 917	183	180 519 321	187	180 639 338	195
175 654 032	173	180 519 322	187	180 639 341	195
175 654 033	173	180 519 325	187	180 639 342	195
175 654 034	173	180 519 326	187	180 639 343	195
175 654 035	173	180 519 327	187	180 639 345	195
175 654 036	173	180 519 328	187	180 639 346	195
175 654 037	173	180 519 329	187	180 639 351	195
175 654 132	173	180 519 330	187	180 639 352	195
175 654 133	173	180 519 336	187	180 639 353	195
175 654 134	173	180 519 337	187	180 639 355	195
175 654 135	173	180 519 338	187	180 639 356	195
175 654 136	173	180 519 341	187	180 644 132	190
175 654 137	173	180 519 342	187	180 644 133	190
175 655 032	174	180 519 343	187	180 644 134	190
175 655 033	174	180 519 345	187	180 644 135	190
175 655 034	174	180 519 346	187	180 644 136	190
175 655 035	174	180 519 351	187	180 644 137	190
175 655 036	174	180 519 352	187	180 645 132	191
175 655 037	174	180 519 353	187	180 645 133	191
175 655 132	175	180 519 355	187	180 645 134	191
175 655 133	175	180 519 356	187	180 645 135	191
175 655 134	175	180 624 132	189	180 645 136	191
175 655 135	175	180 624 133	189	180 645 137	191

# Index

Code	Page
180 654 132	192
180 654 133	192
180 654 134	192
180 654 135	192
180 654 136	192
180 654 137	192
180 655 132	192
180 655 133	192
180 655 134	192
180 655 135	192
180 655 136	192
180 655 137	192
198 000 872	199
198 000 873	199
198 000 874	199
198 000 875	199
198 000 876	199
198 000 877	199
198 000 881	199
198 000 882	199
198 000 883	199
198 000 884	199
198 000 885	199
198 000 892	197
198 000 893	197
198 000 894	197
198 000 895	197
198 000 896	197
198 000 897	197
198 104 166	196
198 151 742	196
198 151 743	196
198 151 744	196
198 151 745	196
198 151 746	196
198 151 747	196
198 151 762	198
198 151 763	198
198 151 764	198
198 151 765	198
198 151 766	198
198 151 767	198
198 204 162	196
198 204 164	196
198 204 327	197
198 204 328	197
198 204 329	197
198 806 639	198
198 806 640	198
721 600 106	200
721 600 107	200
721 600 108	200
721 600 109	200
721 600 110	200
721 600 111	200
721 690 006	200
721 690 007	200
721 690 008	200
721 690 009	200
721 690 010	200
721 690 011	200
721 700 006	202
721 700 007	202
721 700 008	202
721 700 009	202
721 700 010	202
721 700 011	202
721 790 111	201

Code	Page
721 800 106	201
721 800 107	201
721 800 108	201
721 800 109	201
721 800 110	201
745 500 012	199
745 500 013	199
745 500 014	199
745 500 015	199
745 500 016	199
745 500 017	199
748 400 006	202
748 400 007	202
748 400 008	202
748 400 009	202
748 400 010	202
748 400 011	202
748 410 006	200
748 410 007	200
748 410 008	200
748 410 009	200
748 410 010	200
748 410 011	200





## Notes:

---

---

---

---

---

---

---

---

---

---

---

---

---

---

---

---

---

---

---

---

---

---

---

---

---

---

---

---

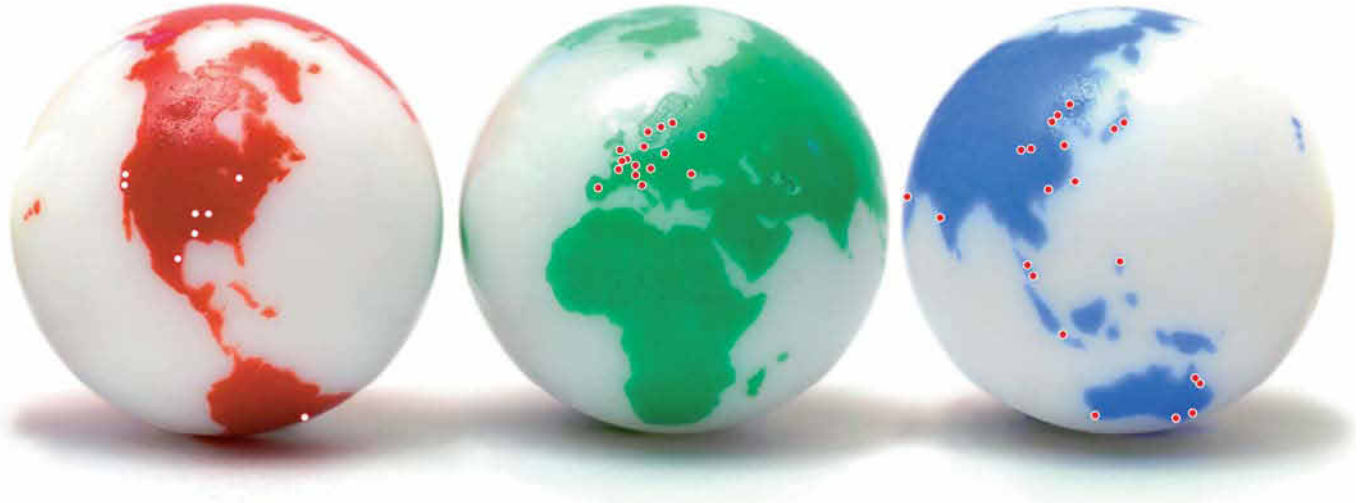
---



# GF Piping Systems → worldwide at home

Our sales companies and representatives ensure local customer support in over 100 countries.

[www.piping.georgfischer.com](http://www.piping.georgfischer.com)



The technical data is not binding. They neither constitute expressly warranted characteristics nor guaranteed properties nor a guaranteed durability. They are subject to modification. Our General Terms of Sales apply.

## Adding Quality to People's Lives

### Argentina/Southern South America

Georg Fischer Central Plastics  
Sudamérica S.R.L.  
Buenos Aires, Argentina  
Phone +5411 4512 02 90  
[gfccentral.ps.ar@georgfischer.com](mailto:gfccentral.ps.ar@georgfischer.com)

### Australia

George Fischer Pty Ltd  
Riverwood NSW 2210 Australia  
Phone +61(0)2 9502 8000  
[australia.ps@georgfischer.com](mailto:australia.ps@georgfischer.com)  
[www.georgfischer.com.au](http://www.georgfischer.com.au)

### Austria

Georg Fischer  
Rohrleitungssysteme GmbH  
3130 Herzogenburg  
Phone +43(0)2782 856 43-0  
[austria.ps@georgfischer.com](mailto:austria.ps@georgfischer.com)  
[www.georgfischer.at](http://www.georgfischer.at)

### Belgium/Luxembourg

Georg Fischer NV/SA  
1070 Bruxelles/Brüssel  
Phone +32(0)2 556 40 20  
[be.ps@georgfischer.com](mailto:be.ps@georgfischer.com)  
[www.georgfischer.be](http://www.georgfischer.be)

### Brazil

George Fischer Ltda  
04795-100 São Paulo  
Phone +55(0)11 5525 1311  
[br.ps@georgfischer.com](mailto:br.ps@georgfischer.com)  
[www.georgfischer.com.br](http://www.georgfischer.com.br)

### Canada

Georg Fischer Piping Systems Ltd  
Brampton, ON L6T 4E3  
Phone +1(905)792 8005  
Fax +1(905)792 6667  
[ca.ps@georgfischer.com](mailto:ca.ps@georgfischer.com)  
[www.georgfischer.ca](http://www.georgfischer.ca)

### China

Georg Fischer  
Piping Systems Ltd Shanghai  
Pudong, Shanghai 201319  
Phone +86(0)21 58 13 33 33  
[china.ps@georgfischer.com](mailto:china.ps@georgfischer.com)  
[www.georgfischer.cn](http://www.georgfischer.cn)

### Denmark/Iceland

Georg Fischer A/S  
2630 Taastrup  
Phone +45 (0)70 22 19 75  
[info.dk.ps@georgfischer.com](mailto:info.dk.ps@georgfischer.com)  
[www.georgfischer.dk](http://www.georgfischer.dk)

### France

Georg Fischer SAS  
95932 Roissy Charles de Gaulle Cedex  
Phone +33(0)1 41 84 68 84  
[fr.ps@georgfischer.com](mailto:fr.ps@georgfischer.com)  
[www.georgfischer.fr](http://www.georgfischer.fr)

### Germany

Georg Fischer GmbH  
73095 Albershausen  
Phone +49(0)7161 302-0  
[info.de.ps@georgfischer.com](mailto:info.de.ps@georgfischer.com)  
[www.georgfischer.de](http://www.georgfischer.de)

### India

Georg Fischer Piping Systems Ltd  
400 076 Mumbai  
Phone +91 224007 2001  
[in.ps@georgfischer.com](mailto:in.ps@georgfischer.com)  
[www.georgfischer.in](http://www.georgfischer.in)

### Italy

Georg Fischer S.p.A.  
20063 Cernusco S/N (MI)  
Phone +3902 921 861  
[it.ps@georgfischer.com](mailto:it.ps@georgfischer.com)  
[www.georgfischer.it](http://www.georgfischer.it)

### Japan

Georg Fischer Ltd  
556-0011 Osaka,  
Phone +81(0)6 6635 2691  
[jp.ps@georgfischer.com](mailto:jp.ps@georgfischer.com)  
[www.georgfischer.jp](http://www.georgfischer.jp)

### Korea

Georg Fischer Piping Systems  
Guro-3 dong, Guro-gu, Seoul, Korea  
Phone +82(0)2 2081 1450  
Fax +82(0)2 2081 1453  
[kor.ps@georgfischer.com](mailto:kor.ps@georgfischer.com)  
[www.georgfischer.kr](http://www.georgfischer.kr)

### Malaysia

George Fischer (M) Sdn. Bhd.  
40460 Shah Alam, Selangor Darul Ehsan  
Phone +60 (0)3 5122 5585  
[my.ps@georgfischer.com](mailto:my.ps@georgfischer.com)  
[www.georgfischer.my](http://www.georgfischer.my)

### Mexico/Northern Latin America

Georg Fischer S.A. de C.V.  
Apodaca, Nuevo Leon  
CP66636 Mexico  
Phone +52 (81)1340 8586  
Fax +52 (81)1522 8906  
[mx.ps@georgfischer.com](mailto:mx.ps@georgfischer.com)  
[www.georgfischer.mx](http://www.georgfischer.mx)

### Middle East

George Fischer Piping Systems  
Dubai, United Arab Emirates  
Phone +971 4 289 49 60  
[info.export@georgfischer.com](mailto:info.export@georgfischer.com)  
[www.export.georgfischer.com](http://www.export.georgfischer.com)

### Netherlands

Georg Fischer N.V.  
8161 PA Epe  
Phone +31(0)578 678 222  
[nl.ps@georgfischer.com](mailto:nl.ps@georgfischer.com)  
[www.georgfischer.nl](http://www.georgfischer.nl)

### Norway

Georg Fischer AS  
1351 Rud  
Phone +47(0)67 18 29 00  
[no.ps@georgfischer.com](mailto:no.ps@georgfischer.com)  
[www.georgfischer.no](http://www.georgfischer.no)

### Poland

Georg Fischer Sp. z o.o.  
05-090 Sekocin Nowy  
Phone +48(0)22 31 31 0 50  
[poland.ps@georgfischer.com](mailto:poland.ps@georgfischer.com)  
[www.georgfischer.pl](http://www.georgfischer.pl)

### Romania

Georg Fischer  
Piping Systems Ltd  
020257 Bucharest - Sector 2  
Phone +40(0)21 230 53 80  
[ro.ps@georgfischer.com](mailto:ro.ps@georgfischer.com)  
[www.export.georgfischer.com](http://www.export.georgfischer.com)

### Russia

Georg Fischer Piping Systems  
Moscow 125047  
Tel. +7 495 258 60 80  
[ru.ps@georgfischer.com](mailto:ru.ps@georgfischer.com)  
[www.georgfischer.ru](http://www.georgfischer.ru)

### Singapore

George Fischer Pte Ltd  
528 872 Singapore  
Phone +65(0)67 47 06 11  
[sgp.ps@georgfischer.com](mailto:sgp.ps@georgfischer.com)  
[www.georgfischer.sg](http://www.georgfischer.sg)

### Spain/Portugal

Georg Fischer S.A.  
28046 Madrid  
Phone +34(0)91 781 98 90  
[es.ps@georgfischer.com](mailto:es.ps@georgfischer.com)  
[www.georgfischer.es](http://www.georgfischer.es)

### Sweden/Finland

Georg Fischer AB  
117 43 Stockholm  
Phone +46(0)8 506 775 00  
[info.se.ps@georgfischer.com](mailto:info.se.ps@georgfischer.com)  
[www.georgfischer.se](http://www.georgfischer.se)  
[www.georgfischer.fi](http://www.georgfischer.fi)

### Switzerland

Georg Fischer  
Rohrleitungssysteme (Schweiz) AG  
8201 Schaffhausen  
Phone +41(0)52 631 30 26  
[ch.ps@georgfischer.com](mailto:ch.ps@georgfischer.com)  
[www.piping.georgfischer.ch](http://www.piping.georgfischer.ch)

### Taiwan

Georg Fischer Piping Systems  
San Chung City, Taipei Hsien  
Phone +886 2 8512 2822  
Fax +886 2 8512 2823  
[www.georgfischer.tw](http://www.georgfischer.tw)

### United Kingdom/Ireland

George Fischer Sales Limited  
Coventry, CV2 2ST  
Phone +44(0)2476 535 535  
[uk.ps@georgfischer.com](mailto:uk.ps@georgfischer.com)  
[www.georgfischer.co.uk](http://www.georgfischer.co.uk)

### USA/Caribbean

Georg Fischer LLC  
Tustin, CA 92780-7258  
Phone +1(714) 731 88 00  
Toll Free 800 854 40 90  
[us.ps@georgfischer.com](mailto:us.ps@georgfischer.com)  
[www.gfiping.com](http://www.gfiping.com)

### International

Georg Fischer  
Piping Systems (Switzerland) Ltd.  
8201 Schaffhausen/Switzerland  
Phone +41(0)52 631 30 03  
Fax +41(0)52 631 28 93  
[info.export@georgfischer.com](mailto:info.export@georgfischer.com)  
[www.export.georgfischer.com](http://www.export.georgfischer.com)