



Effective September 29, 2014 Catalog #56



**HANDLING LIQUID
AROUND THE GLOBE.**



AGRICULTURAL AND INDUSTRIAL APPLICATIONS

2015 NEW

MINI ELECTRIC VALVES

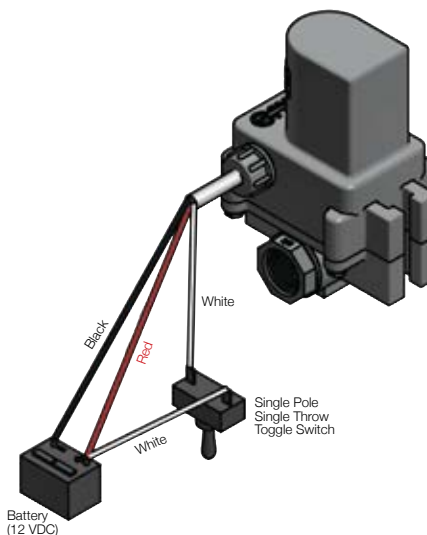
FEATURES

- 12 Volt DC
- Stationary current draw: less than 0.04 amps.
- Rotating current draw: less than 0.40 amps.
- Stall current: 0.75 amps
- Response time: 1/3 sec open to close
- TFM seats
- EPDM seals
- Fiberglass reinforced polypropylene ball.
- Integrated mounting slot
- Standard 3 wire configuration.
- Max Pressure = 200 PSI @ 70 °F.



MINI MANIFOLD ELECTRIC VALVE						
PART NO	DESCRIPTION	MAX PSI	PIPE SIZE	OPENING THRU BALL	QTY	PRICE
MLEV100	1" Electric Valve	200	1"	1/2"	1	\$196.10

MINI ELECTRIC VALVES						
PART NO	DESCRIPTION	MAX PSI	PIPE SIZE	OPENING THRU BALL	QTY	PRICE
LEV038	3/8" Full Port Electric Valve	200	3/8"	3/8"	1	\$183.74
LEV050	1/2" Full Port Electric Valve	200	1/2"	15/32"	1	\$183.74



PRODUCTS

MANIFOLD SINGLE UNION

FEATURES

- Precision molded in glass reinforced polypropylene, for strength and chemical resistance.
- PTFE seats for smooth operation and proper sealing characteristics.
- EPDM O-rings to handle most fertilizers and many chemicals.
- Double O-rings in stem area for extra sealing protection.
- Interlocking body and end plate to allow easy thread connection when installing valves.
- Maximum operating pressure 100 P.S.I. at 70°F.



MANIFOLD SINGLE UNION POLY VALVE						
PART NO	DESCRIPTION	MAX PSI	PIPE SIZE	OPENING THRU BALL	QTY	PRICE
MSUV100FP	1" Manifold Full Port Union Valve	100	1"	1"	1	\$25.85

MANIFOLD Y LINE STRAINER

FEATURES

- EPDM O-rings.
- Precision molded construction.
- Corrosion resistant.
- Lightweight.
- Fiberglass reinforced.
- 150 P.S.I. maximum.



2" MANIFOLD Y LINE STRAINER				
PART NO	DESCRIPTION	MAX PSI	QTY	PRICE
MLS200-50M	2" Manifold Y Strainer w/Mounting Bracket w/50 Mesh Screen	150	1	\$100.16

2015 NEW

2" POLY MANIFOLD PUMPS

FEATURES

- Precision molded construction.
- Lightweight.
- Corrosion resistant.
- Superior design.
- Low maintenance.
- EPDM Standard, FKM (viton type) available.



2" POLY MANIFOLD PUMPS W/GAS ENGINES				
PART NO	DESCRIPTION	HP	QTY	PRICE
M220PH5E	2" Poly Manifold Pump w/5.5 HP Honda® Engine w/Electric Start	5.5	1	\$2,480.84
M220PH6	2" Poly Manifold Pump w/6.5 HP Honda® Engine	6.5	1	\$2,672.40



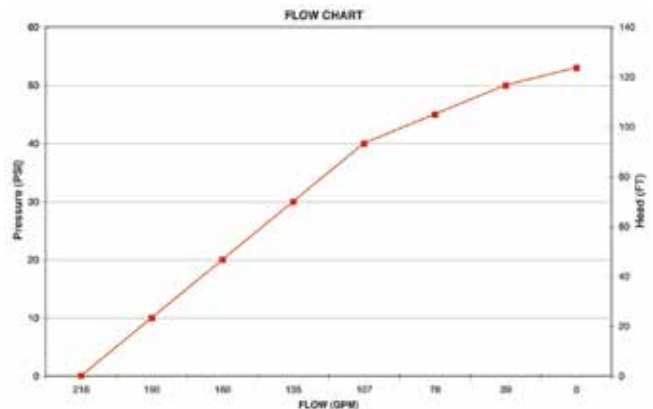
2" POLY MANIFOLD BEARING PEDESTALS				
PART NO	DESCRIPTION	HP	QTY	PRICE
M225PB	2" Poly Manifold Bearing Pedestal w/ 3/4" Shaft & 5 Vane Impeller	N/A	1	\$681.47

2" POLY MANIFOLD PUMP ONLYS				
PART NO	DESCRIPTION	HP	QTY	PRICE
M225PO	2" Poly Manifold Pump Only w/ 3/4" Shaft & 5 Vane Impeller	N/A	1	\$428.70

CAUTION-WARNING: Please do not run pump dry, restrict or reduce port sizes, or dead head pump. This could cause component failure to pump.

DO NOT USE WITH FLAMMABLE LIQUIDS.

NOTE: Engine warranty service available at authorized Briggs & Stratton and Honda dealers.



See page 81 -85 for fittings and clamps.

PRODUCTS

2" POLY MANIFOLD WET SEAL PUMPS

FEATURES

- New Compact Design!
- Run Dry Capability!
- Double seal contained in ethylene glycol reservoir. Carbon Ceramic seal faces with stainless steel cup & spring with EPDM rubber.
- Pump end separated from engine.
- Large weep holes between pump end and engine.
- "V" shaped for quicker priming.

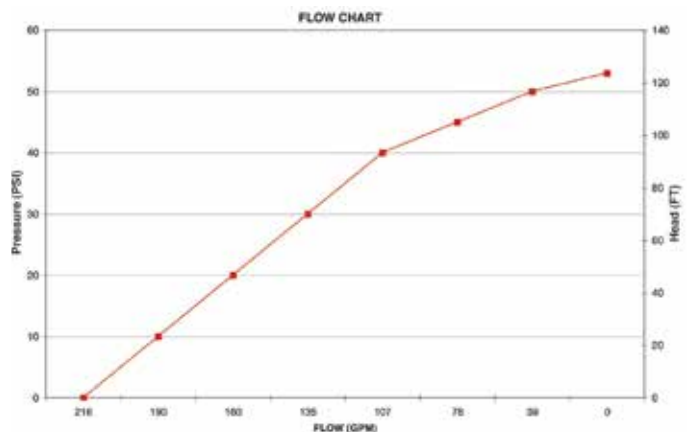


2" POLY MANIFOLD WET SEAL PUMPS W/GAS ENGINES				
PART NO	DESCRIPTION	HP	QTY	PRICE
M220PH5W	2" Poly Manifold Wet Seal Pump w/5.5 HP Honda® Engine	5.5	1	\$2,219.92
M220PH5EW	2" Poly Manifold Wet Seal Pump w/5.5 HP Honda® Engine w/Electric Start	5.5	1	\$3,026.91
M220P6PROW	2" Poly Manifold Wet Seal Pump w/6.5 HP Briggs & Stratton® Engine Pro Series	6.5	1	\$1,343.68



2" POLY MANIFOLD WET SEAL BEARING PEDESTAL				
PART NO	DESCRIPTION	HP	QTY	PRICE
M220PBW	2" Poly Manifold Wet Seal Bearing Pedestal w/ 3/4" Shaft & 5 Vane Impeller	N/A	1	\$997.97

DO NOT USE WITH FLAMMABLE LIQUIDS.



2015 NEW

3" POLY MANIFOLD PUMPS

FEATURES

- Precision molded construction.
- Lightweight.
- Corrosion resistant.
- Superior design.
- Low maintenance.
- EPDM Standard, FKM (viton type) available.

CAUTION-WARNING: Please do not run pump dry, restrict or reduce port sizes, or dead head pump. This could cause component failure to pump.

DO NOT USE WITH FLAMMABLE LIQUIDS.

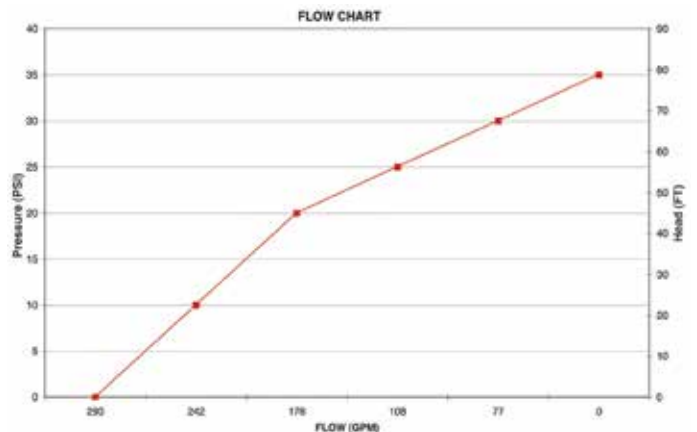
NOTE: Engine warranty service available at authorized Briggs & Stratton and Honda dealers.



3" POLY MANIFOLD PUMPS W/GAS ENGINES				
PART NO	DESCRIPTION	HP	QTY	PRICE
M300PH6	3" Poly Manifold Pump w/6.5 HP Honda® Engine	6.5	1	\$2,493.15
M300P6PRO	3" Poly Manifold Pump w/6.5 HP Briggs & Stratton® Pro Series Engine	6.5	1	\$1,952.64
M300P11PRO	3" Poly Manifold Pump w/11 HP Briggs&Stratton® Pro Series Engine w/Electric Start & Pull Rope	11	1	\$2,382.04

3" POLY MANIFOLD BEARING PEDESTAL				
PART NO	DESCRIPTION	HP	QTY	PRICE
M300PB	3" Poly Manifold Bearing Pedestal w/ 3/4" Shaft & 4 Vane Impeller	N/A	1	\$1,014.96

See page 81 -85 for fittings and clamps.



PRODUCTS

3" POLY MANIFOLD WET SEAL PUMPS

FEATURES

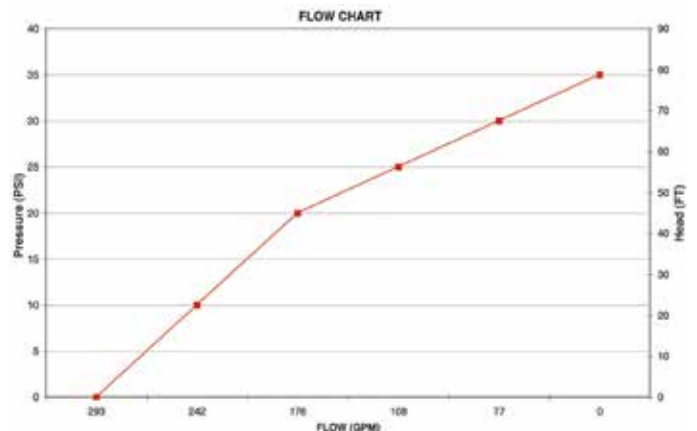
- New Compact Design!
- Run Dry Capability!
- Double seal contained in ethylene glycol reservoir. Carbon Ceramic seal faces with stainless steel cup & spring with EPDM rubber.
- Pump end separated from engine.
- Large weep holes between pump end and engine.
- "V" shaped for quicker priming.



3" POLY MANIFOLD WET SEAL PUMPS W/GAS ENGINES				
PART NO	DESCRIPTION	HP	QTY	PRICE
M300PH6W	3" Poly Manifold Wet Seal Pump w/6.5 HP Honda® Engine	6.5	1	\$2,510.54
M300PH11W	3" Poly Manifold Wet Seal Pump w/11 HP Honda® Engine w/Electric Start & Pull Rope	11	1	\$2,702.96
M300P11PROW	3" Poly Wet Seal Pump w/11 HP Briggs&Stratton® Engine Pro Series w/Electric Start & Pull Rope	11	1	\$2,623.95

3" POLY MANIFOLD WET SEAL BEARING PEDESTAL				
PART NO	DESCRIPTION	HP	QTY	PRICE
M300PBW	3" Poly Manifold Wet Seal Bearing Pedestal w/ 3/4" Shaft & 4 Vane Impeller	N/A	1	\$1,443.58

DO NOT USE WITH FLAMMABLE LIQUIDS.



SUPPORT AND WARRANTY INFORMATION

LIQUID HANDLING PRODUCTS

Located in the United States, Banjo Corporation is a leading manufacturer of Liquid Handling Products that service Agricultural and Industrial Applications. Specializing in injected molded, glass-reinforced polypropylene products, Banjo prides itself on innovative design, skillful engineering, precise manufacturing, and finding the solution that works best for your liquid handling needs. Banjo Liquid Handling Products are marketed and sold all over the world. Products available from Banjo include: Valves, Electric Valves, Manifold Systems, Dry-Disconnects, IBC/ Tank Accessories, Cam Lever Couplings, Pipe Fittings, Line Strainers, and Pumps.

APPLICATIONS FOR BANJO POLYPROPYLENE LIQUID HANDLING PRODUCTS

- Agricultural Fertilizers, Herbicides, Pesticides, Insecticides
- Pulp & Paper
- Inks, Paints, Coatings
- Textiles
- Alkalis, Acids, Solvents, Corrosives
- Tank Trucks, Rotomolded Tanks, IBC's
- Organic & Inorganic Chemicals
- Reverse Osmosis
- Adhesives, Lubricants, Resins
- Plating
- Water Treatment, Wastewater
- Industrial Chemicals
- Deionized Water
- Soaps & Detergents
- Circuit Board Chemistry
- Pharmaceuticals

HOW TO ORDER

Contact your local Banjo Distributor or Banjo Corporation:
Banjo Corporation
150 Banjo Drive
Crawfordsville, Indiana 47933 USA
Telephone: (765) 362-7367
Fax: (800) 458-0232 International Fax: (765) 362-0744

E-Mail Technical Questions: banjosales@idexcorp.com
E-Mail Orders: banjoorders@idexcorp.com
E-Mail Latin America Sales: BanjoSalesLatinAmerica@idexcorp.com
E-Mail Europe Sales: BanjoSalesEurope@idexcorp.com
Website: www.banjocorp.com

MINIMUM ORDER, BAG QUANTITIES AND DROP SHIPMENTS

Banjo Corporation requires a \$50.00 net minimum order, air shipments excluded. Orders less than \$50.00 net will not be accepted. Please order in bag/box quantities for quick and easy shipping/receiving of your order. Use Banjo Part Numbers when ordering. Orders requiring a drop shipment will incur an additional 10% surcharge.

PRICING

The prices listed are suggested retail prices only. Please contact your local distributor for your every-day market price. Pricing is subject to change without notice. All prices are per item, net per or box quantity.

CONDITIONS OF SALE – TERMS AND DELIVERY

Subject to credit approval, payment terms will be 1% 15, net 30. Without credit approval, payment must be made when order is placed. Delivery is FCA (Incoterms 2010) Banjo factory, Crawfordsville, Indiana, unless specifically stated otherwise in writing by Banjo. All orders will be shipped freight collect except orders shipped U.P.S. On U.P.S. shipments, the actual freight charges will be prepaid and added to the invoice.

All Orders are subject to Banjo Corporation Terms and Conditions of Sale which are available at <http://banjocorp.com/support-information> and can also be obtained by calling 765-362-7367.

QUALITY

Banjo Corporation is dedicated to providing quality products that satisfy our customers' needs. Banjo focuses is on continuous improvement and innovation.

TECHNICAL SUPPORT SERVICES

Banjo Corporation has technical service personnel who are always ready to assist you with your questions about Banjo Liquid Handling Products and your specific application. We are committed to being your resource for quality products and efficient technical service. However, the ultimate responsibility for determining the fitness and suitability of products for the purposes and applications for which they are used rests with the user.

PRODUCT CHANGES

Banjo Corporation reserves the right to change products and product specifications at any time.

WARRANTY

Subject to the Performance Specifications and the Warranty Exceptions and Exclusions statements below:

- Banjo warrants that Banjo products in the form supplied by Banjo will be free of defects in material and workmanship for a period of 12 months from the date of invoice.
- THE ABOVE WARRANTY IS THE SOLE AND EXCLUSIVE WARRANTY MADE BY BANJO. NO OTHER EXPRESS OR IMPLIED WARRANTY OF ANY KIND, ORAL OR WRITTEN, INCLUDING ANY IMPLIED WARRANTY OF MERCHANTABILITY OR FITNESS FOR A PARTICULAR PURPOSE, IS MADE WITH PURPOSE, IS MADE WITH RESPECT TO THE QUALITY, WORKMANSHIP, MATERIALS, DESIGN, PERFORMANCE, FITNESS OR SUITABILITY OF ANY BANJO OR OTHER PRODUCT.
- If a warranty claim is approved by Banjo, Banjo will either replace or repair the non-conforming Banjo product free of charge or, at Banjo's sole discretion, refund or credit to Customer the purchase price Banjo received for such non-conforming Banjo product. Such replacement, repair, refund or credit will be Banjo's sole liability and obligation and Customer's sole remedy with respect to any nonconforming or defective Banjo product. All Banjo products that are replaced shall be the property of Banjo. Customer shall be responsible for all freight charges in connection with any replacement or repair. Free replacement products and repair parts will not be provided prior to approval of a warranty claim.
- The Banjo Part No., Banjo Serial No. (if any), invoice number, and date of purchase of the Banjo product claimed to be defective are required for all warranty claims. In addition, if requested by Banjo, a Banjo product that is the subject of a warranty claim must be returned to Banjo, and



WARRANTY CONTINUED..

Banjo may require Customer to provide records and information to enable Banjo to determine the root cause of the issue with a Banjo product that is claimed to be defective.

- Banjo products are products manufactured by Banjo. Products of other manufacturers that Banjo may sell, including, but not limited to, engines, hydraulic motors and electric motors, are not Banjo products and are not covered by the above warranty.

Performance Specifications: Performance specifications for Banjo products are determined under controlled laboratory conditions and according to specific test requirements. The results of these tests are not intended to define the performance of any Banjo product under actual conditions or specific applications. Banjo does not warrant the fitness or suitability of any Banjo or other product for any purpose or application, and Customer will have sole responsibility and liability for determining the fitness and suitability of all Banjo and other products sold by Banjo for the purposes and applications for which they are used, including the ability of products to satisfy applicable health, safety and environmental standards and requirements, compatibility of products with chemicals and other substances, and compatibility of products with conditions of actual use, including pressures and temperatures. Field testing by Customer under conditions of actual use is recommended prior to using a product for a particular purpose or application.

Warranty Exceptions and Exclusions: Notwithstanding anything to the contrary:

- Banjo products that are quoted as being sold "Without Warranty" are not warranted.
- Banjo products that are quoted with a warranty less than 12 months from the date of invoice are warranted only for the period specified in the quote.
- A warranty claim must be asserted during the applicable warranty period, and Banjo shall have no liability or obligation of any kind with respect to a Banjo product if a warranty claim is asserted after the expiration of the applicable warranty period for such Banjo product.
- Banjo shall have no liability or obligation of any kind with respect to a Banjo product if Banjo is not given the opportunity, after receiving a warranty claim with respect to such Banjo product, to examine such Banjo product at its Crawfordsville, Indiana, facility.
- Banjo shall have no liability or obligation of any kind with respect to a Banjo product if Customer makes any further use of such Banjo product after asserting a warranty claim with respect to such Banjo product.
- Banjo shall have no liability or obligation of any kind with respect to an issue with a Banjo product that is directly or indirectly attributable to normal wear, corrosion, neglect, misuse, alteration, modification, improper handling, improper storage, improper installation, improper maintenance, improper repair, failure to follow Banjo's oral or written instructions, damage during or after shipment, any non-Banjo product with which such Banjo product is used, or use of such Banjo product for a purpose or application for which it is not fit or suitable.
- Banjo makes no warranty with respect to products of other manufacturers that Banjo may sell, including, but not limited to, engines, hydraulic motors and electric motors. Any warranty with respect to products of other manufacturers shall be limited to a pass through of the other manufacturer's warranties to the extent permitted by the manufacturer.

CLAIMS & RETURNS

All returns must have an accompanying Return Goods Authorization number (RGA Number) regardless of reason for return. Please contact Banjo Corporation for an RGA number prior to returning goods to the above address.

Inspect all shipments for damage upon receipt. If any cartons are damaged, do not sign for or accept them without driver making a notation on the freight bill or receipt. After receiving the shipment, remove the goods and thoroughly inspect immediately. If any concealed damage is discovered, notify the delivering carrier at once in writing. Do not move damaged merchandise until further inspection has been made. Save carton and packing material for inspection. Do not order carrier to return merchandise to our factory without contacting Banjo.

Claims for shortages or inaccurate filling of orders must be made within 30 days after receipt of goods. Return shipments must be prepaid. C.O.D. or "Freight Collect" shipments will not be accepted. There will be a 30% restocking charge on any items returned for credit or exchange when the error is not ours. Goods must be in new and original condition without labels, stickers or markings, other than Banjo Corporation.

RETURN FOR REPAIR POLICY

1. Items returned for repair will not be accepted without prior approval and a return authorization number.
2. Defective warranty items will be replaced or repaired at manufacturer's option on a no charge basis.
3. The customer will be charged for the appropriate parts and labor charges for all non-warranty work.
4. The manufacturer will not provide replacement parts at no charge while repairs are being made.
5. A description of the application (media, temperature, pressure) and performance of the items must accompany the return. Please specify type of failure and exact location of failure.
6. Prior to returning, items must be cleaned and neutralized. Items which have not been cleaned and neutralized will not be inspected or repaired.

PUMP RETURNS

Upon Receipt of Pumps:

1. Inspect pump for damage!
2. If a pump is damaged, do not sign for or accept damaged cartons without driver making a notation on freight bill or receipt.
3. Do not move damaged merchandise any further until inspection has been made. Save carton and packing material for inspection.
4. Do not order carrier to return merchandise to our factory without contacting Banjo Corporation.

When Returning Pumps:

1. Gasoline Engines must be empty of fuel!
2. Pumps must be cleaned and neutralized.
3. Pack pump in heavy-duty carton with sufficient packing to protect bottom and all sides.
4. Specify type of failure and exact location of failure.
5. A description of the application (media, temperature, pressure) and performance of the items must accompany the return.
6. The manufacturer will not provide free replacement parts or pumps while repairs are being made.
7. The customer will be charged for the appropriate parts and labor charges for all non-warranty work.
8. Defective pumps will be replaced or repaired at manufacturer's option.
9. Banjo Corporation is not responsible for pump/engine damage resulting from accident, misuse or abuse, or lack of reasonable care.
10. No responsibility is assumed for labor, or any special, incidental or consequential damages.
11. Engine warranty service and engine parts/accessories available at authorized Honda and Briggs & Stratton Dealers.

INDEX

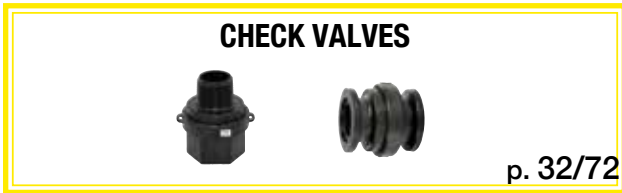
VALVES



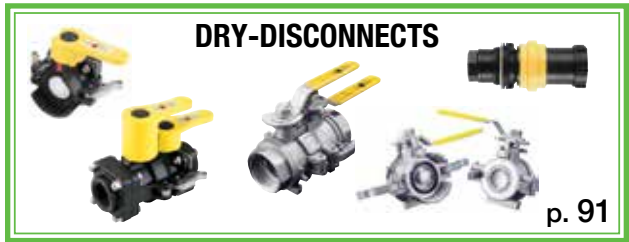
ELECTRIC VALVES



MANIFOLD FLANGE CONNECTIONS



DRY-DISCONNECTS



IBC/TANK ACC.



IBC/TANK ACC.



DRY-DISCONNECTS



IBC/TANK ACC.



PIPE FITTINGS



PIPE FITTINGS



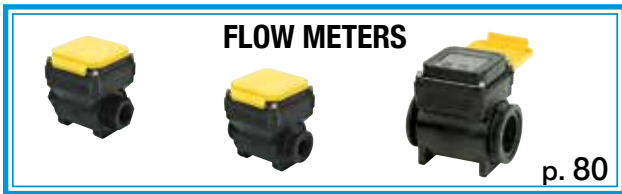
LINE STRAINERS



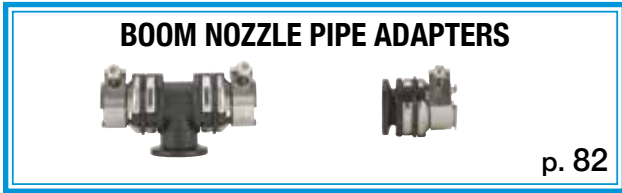
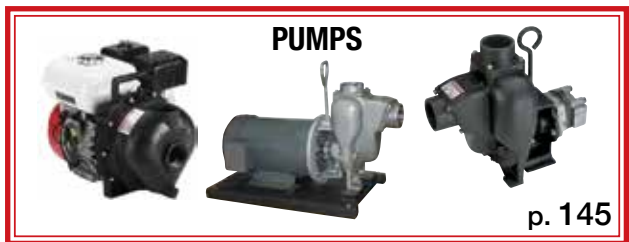
LINE STRAINERS



FLOW METERS



PUMPS



Polypropylene Micro Valves

FEATURES

- 90° rotating handle.
- Precision molded polypropylene is reinforced with fiberglass for additional strength.
- Standard FKM (viton type) seats and O-rings.
- Maximum operating pressure 300 P.S.I.



LV050SLV



LV038MTV



LV038050MTV



LV050100MTV

POLY MICRO VALVES						
PART NO	DESCRIPTION	MAX PSI	THREAD SIZE	OPENING THRU BALL	QTY	PRICE
LV025V	1/4" Female NPT Micro Valve	300	1/4"	3/8"	1	\$16.77
LV038V	3/8" Female NPT Micro Valve	300	3/8"	3/8"	1	\$16.77
LV050V	1/2" Female NPT Micro Valve	300	1/2"	15/32"	1	\$17.87
LV050SLV	1/2" Side Load Micro Valve	300	1/2"	1/2"	1	\$21.90

POLY MICRO VALVES						
PART NO	DESCRIPTION	MAX PSI	THREAD SIZE	OPENING THRU BALL	QTY	PRICE
LV025MTV	1/4" Female x Male NPT Micro Valve	300	1/4"	3/8"	1	\$16.77
LV038MTV	3/8" Female x Male NPT Micro Valve	300	3/8"	3/8"	1	\$16.77
LV038050MTV	3/8" Female x 1/2" Male NPT Micro Valve	300	3/8" x 1/2"	3/8"	1	\$17.87
LV050MTV	1/2" Female x Male NPT Micro Valve	300	1/2"	15/32"	1	\$17.87
LV050100MTV	1/2" Female x 1" Male NPT Micro Valve	300	1/2"	15/32"	1	\$17.87



POLY MICRO VALVES						
PART NO	DESCRIPTION	MAX PSI	THREAD SIZE	OPENING THRU BALL	QTY	PRICE
LVHB025V	1/4" Hose Barb Micro Valve	300	1/4"	3/8"	1	\$16.77
LVHB038V	3/8" Hose Barb Micro Valve	300	3/8"	3/8"	1	\$16.77
LVHB050V	1/2" Hose Barb Micro Valve	300	1/2"	15/32"	1	\$17.87
LVHB075V	3/4" Hose Barb Micro Valve	300	3/4"	15/32"	1	\$17.87



LVHB038050MTV



LVHB075MTV



MLV100V



LVHB075100MTV

POLY MANIFOLD MICRO VALVES						
PART NO	DESCRIPTION	MAX PSI	FLANGE SIZE	OPENING THRU BALL	QTY	PRICE
MLV100V	1" Manifold Micro Valve	300	1"	1/2"	1	\$17.87

POLY MICRO VALVES						
PART NO	DESCRIPTION	MAX PSI	THREAD SIZE	OPENING THRU BALL	QTY	PRICE
LVHB038050MTV	3/8" Hose Barb x 1/2" Male NPT Micro Valve	300	3/8"	3/8"	1	\$17.87
LVHB075MTV	3/4" Hose Barb x 3/4" Male NPT Micro Valve	300	3/4"	1/2"	1	\$17.87
LVHB075100MTV	3/4" Hose Barb x 1" Male NPT Micro Valve	300	3/4"	15/32"	1	\$17.87

Polypropylene Bolted Ball Valves

FEATURES

- FKM (viton type) seals.
- Precision molded polypropylene is reinforced with fiberglass for additional strength.
- Self-aligning ball moves freely against the PTFE seats for smooth operation. The valve opens and closes with very little pressure on the handle.
- Ball is diamond turned, after molding, to make it spherically perfect, which provides precise contact between ball and seats.
- PTFE self-lubricating stem bushings and seats cannot stick or bind.
- Stainless steel bolts.

4 BOLT VALVES						
PART NO	DESCRIPTION	MAX PSI	PIPE SIZE	OPENING THRU BALL	QTY	PRICE
V050	1/2" Full Port Valve	150	1/2"	3/4"	24/box	\$41.28
V075	3/4" Full Port Valve	150	3/4"	3/4"	24/box	\$41.28
V100	1" Standard Port Valve	150	1"	3/4"	24/box	\$41.28
V100FP	1" Full Port Valve	150	1"	1"	24/box	\$45.52
V125	1 1/4" Standard Port Valve	150	1 1/4"	1"	24/box	\$45.52
V125FP	1 1/4" Full Port Valve	150	1 1/4"	1 1/2"	24/box	\$58.51
V150	1 1/2" Full Port Valve	150	1 1/2"	1 1/2"	24/box	\$58.51
V200	2" Standard Port Valve	150	2"	1 1/2"	24/box	\$58.51

FEATURES FOR LOCKING DEVICE

- 304 Stainless steel construction.
- Installs under valve handle.
- Comes complete with handle and locking device.
- Padlock not included*

LOCKING DEVICE				
PART NO	DESCRIPTION	VALVE USED	QTY	PRICE
VL20153*	Locking Device	V125FP, V150 & V200	1	\$15.73

FEATURES FOR MOUNTING BRACKETS

- 316 Stainless steel construction.
- Straight and 90° available.

MOUNTING BRACKETS				
PART NO	DESCRIPTION	VALVE USED	QTY	PRICE
V10270	Straight Mounting Bracket	V100FP & V125	1	\$9.31
V10271	90° Mounting Bracket	V100FP & V125	1	\$9.31
V25270	Straight Mounting Bracket	V150 & V200	1	\$15.56
V25271	90° Mounting Bracket	V150 & V200	1	\$18.34

FEATURES FOR REMOVABLE HANDLE KIT

- Removable handle deters opening the valve for safety, vandalism and theft.

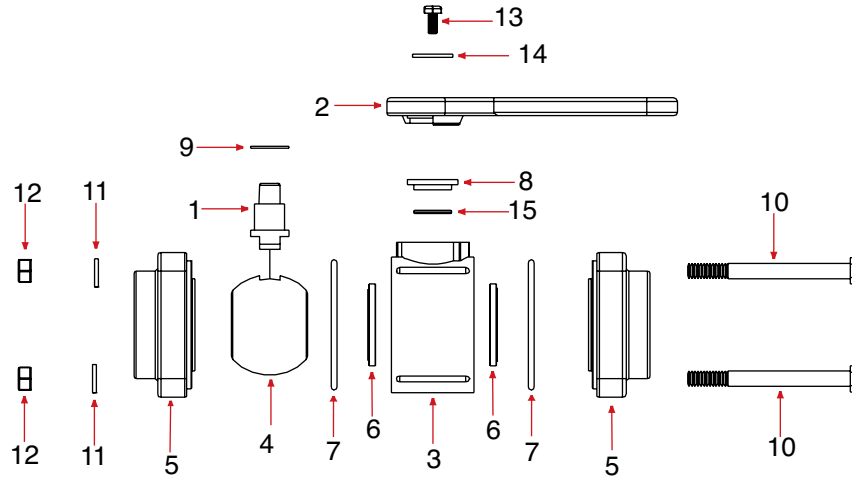
REMOVABLE HANDLE KIT				
PART NO	DESCRIPTION	VALVE USED	QTY	PRICE
VRH200K	Removable Handle Kit	V125FP, V150 & V200	1	\$32.03

FEATURES FOR HANDLE RISERS

- Allows extra clearance between handle and body for tight spaces.

HANDLE RISERS				
PART NO	DESCRIPTION	VALVE USED	QTY	PRICE
V10153138BL	1" x 1 3/8" Handle Offset	V075BL & V100BL	1	\$6.89
V10153138	1" x 1 3/8" Handle Offset	V100FP, V125, V075SL & V100SL	1	\$6.89
V20153138BL	2" x 1 3/8" Handle Offset	MV200BL, V125BL & V150BL	1	\$6.89
V20153138	2" x 1 3/8" Handle Offset	V125FP, V150, V200 V125SL, V150SL	1	\$6.89
V25153138BL	2" FP x 1 3/8" Handle Offset	MV220BL & MV300BL	1	\$6.89
V25153138	2" FP x 1 3/8" Handle Offset	V200FP & V200SL	1	\$6.89

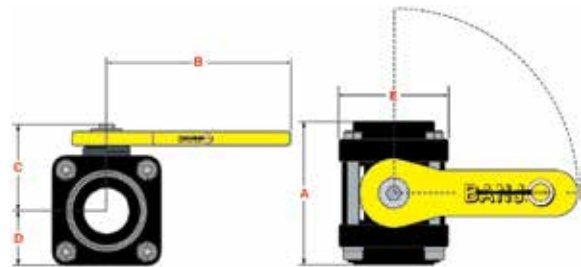




REPLACEMENT PARTS V050-V075-V100				
ITEM	PART NO	DESCRIPTION	QTY	PRICE
1	V07151A	Stem	1	\$3.92
2	V10153A	Handle	1	\$4.48
3	V07254	Valve Body	1	\$8.50
4	V07155*	Valve Ball	1	\$6.73
5	V05256	1/2" End Plate	2	\$9.79
5	V07257	3/4" End Plate	2	\$9.80
5	V07256	1" End Plate	2	\$9.80
6	V07258A*	Ball Seat	2	\$4.98
7	V07264*	FKM (viton type) Valve Body O-Ring	2	\$4.98
8	V07159*	Upper Stem Bushing	1	\$2.39
9	V07060*	Thrust Washer	1	\$2.39
10	V07017	1/4" x 3" SS Body Bolt	4	\$1.16
11	V07018	1/4" SS Lock Washer	4	\$0.44
12	V07019	1/4" SS Nut	4	\$0.44
13	V10020A	#10 x 3/4" SS Handle Bolt	1	\$1.07
14	V07021A	SS Handle Washer	1	\$0.44
15	V07163*	FKM (viton type) Stem O-Ring	1	\$1.52
N/S	V07200	Repair Kit	1	\$24.01

REPLACEMENT PARTS V100FP-V125				
ITEM	PART NO	DESCRIPTION	QTY	PRICE
1	V10151A	Stem	1	\$4.48
2	V10153A	Handle	1	\$4.48
3	V10254	Valve Body	1	\$8.80
4	V10155*	Valve Ball	1	\$7.37
5	V10257	1" Full Port End Plate	2	\$11.77
5	V10256	1 1/4" End Plate	2	\$11.77
6	V10258A*	Ball Seat	2	\$6.35
7	V10264	FKM (viton type) Valve Body O-Ring	2	\$6.07
8	V10159*	Upper Stem Bushing	1	\$2.61
9	V10060*	Thrust Washer	1	\$1.59
10	V10117	5/16" x 3 1/2" SS Body Bolt	4	\$1.44
11	V10118	5/16" SS Lock Washer	4	\$0.44
12	V10119	5/16" SS Nut	4	\$0.58
13	V10020A	#10 x 3/4" SS Handle Bolt	1	\$1.07
14	V07021A	SS Handle Washer	1	\$0.44
15	V10163*	FKM (viton type) Stem O-Ring	1	\$2.19
N/S	V10200	Repair Kit	1	\$28.73
N/S	V10270	Straight Mounting Bracket	1	\$9.31
N/S	V10271	90° Mounting Bracket	1	\$9.31

REPLACEMENT PARTS V125FP-V150-V200				
ITEM	PART NO	DESCRIPTION	QTY	PRICE
1	V20151M	Stem	1	\$8.97
2	V20153	Handle	1	\$8.97
2	V20353T	T Handle	1	\$8.97
N/S	V20353C	1 1/8" Plug for T-Handle (Cap Plug)	1	\$2.19
3	V20254	Valve Body	1	\$12.57
4	V20255A*	Valve Ball	1	\$12.29
5	V20256	2" End Plate	2	\$13.09
5	V20257	1 1/2" End Plate	2	\$13.09
5	V20267	1 1/4" Full Port End Plate	2	\$13.09
6	V20258A*	Ball Seat	2	\$9.98
7	V20264*	FKM (viton type) Valve Body O-Ring	2	\$9.98
8	V20159*	Upper Stem Bushing	1	\$3.18
9	V20060*	Thrust Washer	1	\$2.19
10	V20017	3/8" x 4" SS Body Bolt	4	\$1.79
11	V20018	3/8" SS Lock Washer	4	\$0.44
12	V20019	3/8" 16 SS Hex Nut	4	\$1.07
13	V20020	1/4" x 1 1/2" SS Handle Bolt	1	\$0.88
14	V20021	SS Handle Washer	1	\$0.44
15	V20163*	FKM (viton type) Stem O-Ring	1	\$2.74
N/S	V20200	Repair Kit	1	\$43.12



DIMENSION CHART IN INCHES (REFER TO DRAWING ABOVE)

PART NO	DESCRIPTION	A	B	C	D	E
V050	Full Port Valve	3.44	3.37	2.06	1.25	2.50
V075	Full Port Valve	3.44	3.37	2.06	1.25	2.50
V100	Standard Port Valve	3.44	3.37	2.06	1.25	2.50
V100FP	Full Port Valve	4.19	3.31	2.44	1.81	3.50
V125	Standard Port Valve	4.19	3.31	2.44	1.81	3.50
V125FP	Full Port Valve	4.72	5.90	2.70	1.92	3.50
V150	Full Port Valve	4.72	5.90	2.70	1.92	3.50
V200	Standard Port Valve	4.72	5.90	2.70	1.92	3.50

*Valve repair kits contain items marked with asterisk :
 1 Ball 2 Body O-Rings 1 Thrust Washer
 2 Ball Seats 1 Upper Stem Bushing 1 Stem O-Ring

Polypropylene Bolted Ball Valves

FEATURES

- FKM (viton type) seals.
- PTFE self-lubricating stem bushings and seats cannot stick or bind.
- Precision molded in polypropylene.
- Polypropylene is reinforced with fiberglass for additional strength.
- Self-aligning ball moves freely against the PTFE seats for smooth operation.
- Valve opens and closes with very little pressure on the handle.
- Ball is diamond turned, after molding, to make it spherically perfect, which provides precise contact between ball and seats.
- Stainless steel bolts.



VFMT200FP
(shown w/ long handle)



VL25153

6 BOLT VALVES						
PART NO	DESCRIPTION	MAX PSI	PIPE SIZE	OPENING THRU BALL	QTY	PRICE
V200FP	2" Full Port Valve	150	2"	2"	8/box	\$82.40
V300	3" Standard Port Valve	100	3"	2 1/2"	8/box	\$132.64
V300FP	3" Full Port Valve	100	3"	3"	6/box	\$196.91
V400	4" Standard Port Valve	75	4"	3 1/2"	4/box	\$430.36

6 BOLT VALVES w/ "F" ADAPTER						
PART NO	DESCRIPTION	MAX PSI	PIPE SIZE	OPENING THRU BALL	QTY	PRICE
VFMT200FP	2" Full Port Valve w/ "F" Adapter	150	2"	2"	6/box	\$95.81
VFMT200FPSH	2" Full Port Valve w/ "F" Adapter	150	2"	2"	6/box	\$95.81

FEATURES FOR LOCKING HANDLE

- Stainless steel hardware.
- Locks in open and closed positions.
- Locking handle replaces standard handle.**
- Padlock not included.*

LOCKING HANDLE FEATURES					
PART NO	DESCRIPTION	VALVE USED	QTY	PRICE	
VL25153*	Locking Handle	V200FP, V300, V300FP, V400 VFMT200FP & VFMT200FPSH	1	\$30.33	

**Sold separately.

FEATURES FOR MOUNTING BRACKETS

- 316 Stainless steel construction.
- Straight and 90° available.

MOUNTING BRACKETS					
PART NO	DESCRIPTION	VALVE USED	QTY	PRICE	
V25270	Straight Mounting Bracket	V200FP, V300, V300FP, V400 VFMT200FP & VFMT200FPSH	1	\$15.56	
V25271	90° Mounting Bracket	V200FP, V300, V300FP, V400 VFMT200FP & VFMT200FPSH	1	\$18.34	



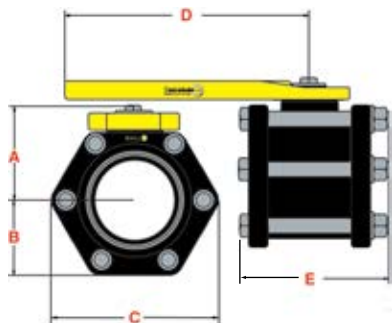
FEATURES FOR REMOVABLE HANDLE KIT

- Removable handle deters opening the valve for safety, vandalism and theft.

REMOVABLE HANDLE KIT					
PART NO	DESCRIPTION	VALVE USED	QTY	PRICE	
VRH220K	Removable Handle Kit	V200FP, V300 & V300FP	1	\$33.20	



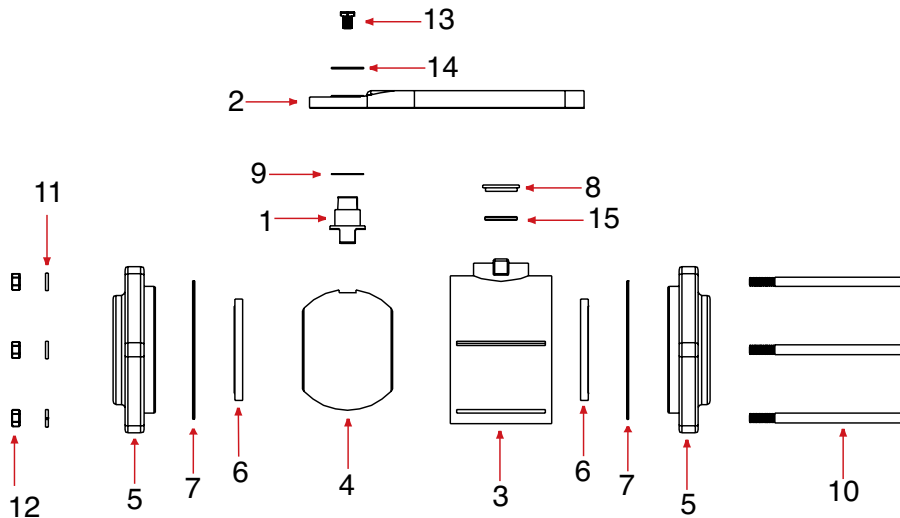
3 Piece Kit



DIMENSION CHART IN INCHES (REFER TO DRAWING ON LEFT)

PART NO	DESCRIPTION	A	B	C	D	E
V200FP	Full Port Valve	3.25	2.38	5.44	9.25	5.50
V300	Standard Port Valve	3.53	2.69	6.28	9.25	6.06
V300FP	Full Port Valve	4.25	3.25	7.35	9.25	6.40
V400	Standard Port Valve	4.50	3.60	8.19	9.25	7.88
VFMT200FP	Full Port Valve	3.38	2.38	5.44	9.25	8.30
VFMT200FPSH	Full Port Valve	3.38	2.38	5.44	5.25	8.30





REPLACEMENT PARTS V200FP-VFMT200FP-VFMT200FPSH-V300-V300FP-V400				
ITEM	PART NO	DESCRIPTION	QTY	PRICE
1	V25151B	Stem	1	\$13.73
1	V30151	Stem (new style for V300,V300FP & V400)	1	\$13.73
2	V25153	Handle	1	\$13.71
8	V25160*	Upper Stem Bushing	1	\$4.32
9	V25060*	Thrust Washer	1	\$2.19
11	A108V	1/4" SS Lock Washer	4	\$0.44
12	V20019	3/8" 16 SS Hex Nut	4	\$1.07
13	V25020	#10 x 3/4" SS Handle Bolt	1	\$1.79
14	V25121	SS Handle Washer	1	\$0.58
15	V25163*	FKM (viton type) Stem O-Ring	1	\$3.75
N/S	V25271	90° Mounting Bracket Fits V150, V200, V200FP, V300 & V300FP	1	\$18.34
N/S	V25270	Straight Mounting Bracket Fits V150, V200, V200FP, V300 & V300FP	1	\$15.56

REPLACEMENT PARTS V200FP-VFMT200FP-VFMT200FPSH				
ITEM	PART NO	DESCRIPTION	QTY	PRICE
2	V25153SH	Short Handle for VFMT200FPSH	1	\$13.71
3	V25254	Valve Body	1	\$17.05
4	V25255A*	Valve Ball	1	\$13.15
5	V25256	2" End Plate Female NPT	2	\$19.23
5	VMT25256	2" End Plate Male NPT	1	\$39.37
5	VF25256	2" End Plate Male Adapter	1	\$39.37
6	V25258A*	Ball Seat	2	\$12.13
7	V25264*	FKM (viton type) Valve Body O-Ring	2	\$10.21
10	V25017	3/8" x 4 1/2" SS Body Bolt	6	\$2.46
N/S	V25200	Repair Kit	1	\$56.74

REPLACEMENT PARTS V300				
ITEM	PART NO	DESCRIPTION	QTY	PRICE
3	V30254	Valve Body	1	\$25.30
4	V30255*	Valve Ball	1	\$23.47
5	V30264	3" End Plate	2	\$34.83
6	V30258A*	Ball Seat	2	\$13.15
7	V30265*	FKM (viton type) Valve Body O-Ring	2	\$11.72
10	V30017	3/8" x 5" SS Body Bolt	6	\$3.62
N/S	V30200	Repair Kit	1	\$79.89

REPLACEMENT PARTS V300FP				
ITEM	PART NO	DESCRIPTION	QTY	PRICE
3	V35254	Valve Body	1	\$35.03
4	V35255A*	Valve Ball	1	\$38.30
5	V35264	3" FP End Plate	2	\$49.87
6	V35258A*	Ball Seat	2	\$21.33
7	V35265*	FKM (viton type) Valve Body O-Ring	2	\$14.32
10	V35017	3/8" x 6" SS Body Bolt	6	\$5.07
N/S	V35200	Repair Kit	1	\$146.66

REPLACEMENT PARTS V400				
ITEM	PART NO	DESCRIPTION	QTY	PRICE
3	V40254	Valve Body	1	\$46.62
4	V40255*	Valve Ball	1	\$49.87
5&6	V40264	End Plate w/PTFE Ball Seat	2	\$64.30
7	V40265*	FKM (viton type) Valve Body O-Ring	2	\$17.35
10	V40017	3/8" x 7 1/2" SS Body Bolt	6	\$14.44
N/S	V40200	Repair Kit	1	\$169.48

*Valve repair kits contain items marked with asterisk :

- 1 Ball
- 2 Body O-Rings
- 1 Thrust Washer
- 2 Ball Seats
- 1 Upper Stem Bushing
- 1 Stem O-Ring

2" Full Port Polypropylene Bolted Ball Valves

FEATURES

- FKM (viton type) seals.
- Stainless steel bolts.
- PTFE self-lubricating stem bushings and seats cannot stick or bind.
- Precision molded in polypropylene.
- Polypropylene is reinforced with fiberglass for additional strength.
- Self-aligning ball moves freely against the PTFE seats for smooth operation.
- Valve opens and closes with very little pressure on the handle.
- Ball is diamond turned, after molding, to make it spherically perfect, which provides precise contact between ball and seats.
- Maximum operating pressure 150 P.S.I. @ 70°F & 75 P.S.I. @ 150°F.



4 BOLT FULL PORT VALVES						
PART NO	DESCRIPTION	MAX PSI	PIPE SIZE	OPENING THRU BALL	QTY	PRICE
VFMT204FP	2" Full Port Valve Male NPT x Male Adapter	150	2"	2"	6/box	\$87.32
V204FP	2" Full Port Valve	150	2"	2"	8/box	\$78.11

2" Full Port ANSI Flange Bolted Ball Valves

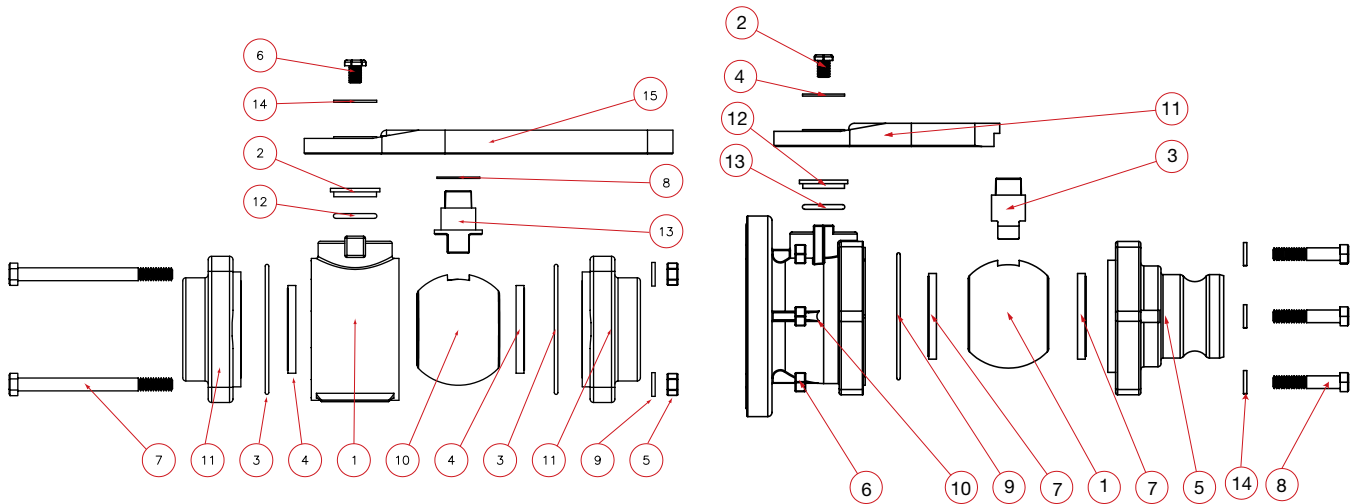
FEATURES

- 100% PTFE seats.
- FKM (viton type) seals.
- Glass-filled polypropylene.
- Unique compact design.
- Lightweight.
- Maximum operating pressure 100 P.S.I. @ 70°F & 75 P.S.I. @ 150°F.



FULL PORT ANSI FLANGE VALVES						
PART NO	DESCRIPTION	MAX PSI	PIPE SIZE	OPENING THRU BALL	QTY	PRICE
VSF200FPAF	2" Full Port Valve Male Adapter x 2" ANSI Flange	100	2"	2"	6/box	\$182.74
VSMT200FPAF	2" Full Port Valve Male NPT x 2" ANSI Flange	100	2"	2"	6/box	\$182.74

See our 2" ANSI flange gaskets on page 117!



REPLACEMENT PARTS VFMT204FP				
ITEM	PART NO	DESCRIPTION	QTY	PRICE
1	V25254	2" FP Valve Body	1	\$17.05
2	V25160	Upper Stem Bushing	1	\$4.32
3	V25264	FKM (viton type) Body O-Ring	2	\$10.21
4	V25258A	2" FP Ball Seat	2	\$12.13
5	V20019	3/8" 16 SS Hex Nut	4	\$1.07
6	V25020	3/8" x 1/2" Handle Bolt	1	\$1.79
7	V25017	3/8" x 4 1/2" SS Body Bolt	4	\$2.46
8	V25060	Thrust Bushing	1	\$2.19
9	V20018	3/8" SS Lock Washer	4	\$0.44
10	V25255A	2" Ball	1	\$13.15
11	VF25356	2" End Plate Male Adapter	1	\$32.53
11	VMT25356	2" MPT End Plate	1	\$32.53
12	V25163	FKM (viton type) Stem O-Ring	1	\$3.75
13	V25151B	Stem	1	\$13.73
14	V25121	Handle Washer	1	\$0.58
15	V25153	Handle	1	\$13.71

REPLACEMENT PARTS VSF200FPAF				
ITEM	PART NO	DESCRIPTION	QTY	PRICE
1	V25255A	2" FP Ball	1	\$13.15
2	V25020	3/8" x 1/2" Handle Bolt	1	\$1.79
3	VS25151B	Stem	1	\$13.71
4	V25121	Handle Washer	1	\$0.58
5	VF25256	2" FP "F" End Plate	1	\$39.37
6	V20019	3/8"-16 SS Hex Nut	6	\$1.07
7	V25258A	2" FP Ball Seat	2	\$12.13
8	V20010	3/8"-16 x 2" HHCS	6	\$1.07
9	V25264	FKM (viton type) Body O-Ring	1	\$10.21
10	V25245	2" FP ANSI Flange Valve Body	1	\$76.56
11	V25153SH	Handle	1	\$13.71
12	V25160	Upper Stem Bushing	1	\$4.32
13	V25163	FKM (viton type) Stem O-Ring	1	\$3.75
14	V20018	3/8" SS Lock Washer	6	\$0.44

REPLACEMENT PARTS V204FP				
ITEM	PART NO	DESCRIPTION	QTY	PRICE
1	V25254	2" FP Valve Body	1	\$17.05
2	V25160	Upper Stem Bushing	1	\$4.32
3	V25264	FKM (viton type) Body O-Ring	2	\$10.21
4	V25258A	2" FP Ball Seat	2	\$12.13
5	V20019	3/8" 16 SS Hex Nut	4	\$1.07
6	V25020	3/8" x 1/2" Handle Bolt	1	\$1.79
7	V25017	3/8" x 4 1/2" SS Body Bolt	4	\$2.46
8	V25060	Thrust Bushing	1	\$2.19
9	V20018	3/8" SS Lock Washer	4	\$0.44
10	V25255A	2" Ball	1	\$13.15
11	V25456	2" Full Port End Plate	2	\$19.23
12	V25163	FKM (viton type) Stem O-Ring	1	\$3.75
13	V25151B	Stem	1	\$13.73
14	V25121	Handle Washer	1	\$0.58
15	V25153	Handle	1	\$13.71

REPLACEMENT PARTS VSMT200FPAF				
ITEM	PART NO	DESCRIPTION	QTY	PRICE
1	V25255A	2" FP Ball	1	\$13.15
2	V25020	Handle Bolt	1	\$1.79
3	VS25151B	Stem	1	\$13.71
4	V25121	Handle Washer	1	\$0.58
5	VMT25256	2" FP Male Thread End Plate	1	\$39.37
6	V20019	3/8"-16 SS Hex Nut	6	\$1.07
7	V25258A	2" FP Ball Seat	2	\$12.13
8	V20010	3/8"-16 x 2" HHCS	6	\$1.07
9	V25264	FKM (viton type) Body O-Ring	1	\$10.21
10	V25245	2" FP ANSI Flange Valve Body	1	\$76.56
11	V25153SH	Handle	1	\$13.71
12	V25160	Upper Stem Bushing	1	\$4.32
13	V25163	FKM (viton type) Stem O-Ring	1	\$3.75
14	V20018	3/8" SS Lock Washer	6	\$0.44

2" Standard Port Ball Valves "Stubby Valve"TM

PATENTED

FEATURES

- Stainless steel bolts.
- Glass reinforced polypropylene.
- Multiple design options.
- Unique patented compact design.
- Lightweight.
- Maximum operating pressure
100 P.S.I. @ 70°F & 75 P.S.I. @ 150°F.
- All PTFE seals

VSF200



VSMT200



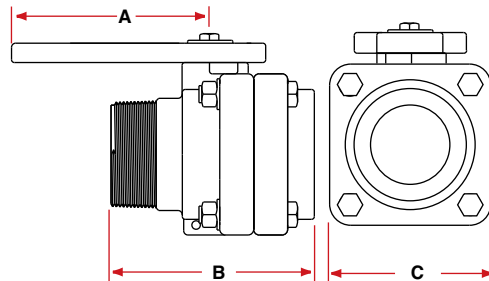
VSFMT200



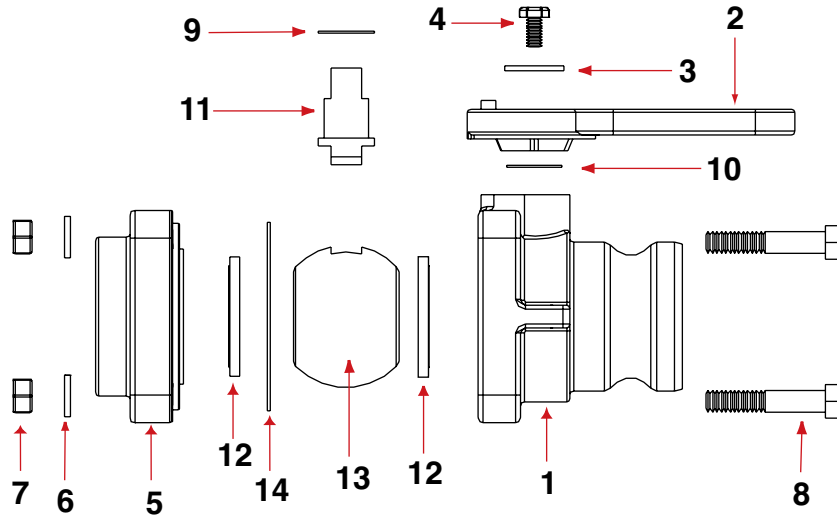
VSFHB200



2" STANDARD PORT STUBBY VALVES						
PART NO	DESCRIPTION	MAX PSI	PIPE SIZE	OPENING THRU BALL	QTY	PRICE
VSF200	2" Male Adapter x 2" Female NPT	100	2"	1 1/2"	24/box	\$64.41
VSMT200	2" Male NPT x 2" Female NPT	100	2"	1 1/2"	24/box	\$64.41
VSFMT200	2" Male Adapter x 2" Male NPT	100	2"	1 1/2"	24/box	\$68.54
VSFHB200	2" Male Adapter x 2" Hose Barb	100	2"	1 1/2"	24/box	\$71.41



DIMENSION CHART IN INCHES (REFER TO DRAWING ABOVE)					
PART NO	DESCRIPTION	A	B	C	
VSF200	2" Male Adapter x 2" Female NPT	4.38	4.72	3.56	
VSMT200	2" Male NPT x 2" Female NPT	4.38	4.50	3.56	
VSFMT200	2" Male Adapter x 2" Male NPT	4.38	5.88	3.56	
VSFHB200	2" Male Adapter x 2" Hose Barb	4.38	6.90	3.56	



***Valve repair kits contain items marked with asterisk:**

1 Ball	1 Body Gasket
2 Ball Seats	1 Thrust Bearing
1 Upper Stem Bushing	

NOTE: End plates and body style may vary from picture.



REPLACEMENT PARTS VSF200-VSMT200-VSFMT200-VSFHB200

ITEM	PART NO	DESCRIPTION	QTY	PRICE
2	VS20152SH	2" Short Style Handle	1	\$8.97
3	V20021	Handle Washer	1	\$0.44
4	V20020	Handle Bolt	1	\$0.88
6	V20018	Lock Washer	4	\$0.44
7	V20019	3/8" 16 SS Hex Nut	4	\$1.07
8	V20010SS	SS Body Bolt	4	\$1.07
9	V20060*	Upper Stem Bushing	1	\$2.19
10	V20060*	Thrust Bearing	1	\$2.19
11	VS20151	Stem	1	\$9.98
12	VS20258A*	Seat	2	\$9.98
13	VS20255*	Ball	1	\$10.83
14	V21204*	Body Gasket	1	\$4.51
N/S	VS20200	Repair Kit	1	\$48.39

REPLACEMENT PARTS VSF200-VSFMT200

ITEM	PART NO	DESCRIPTION	QTY	PRICE
1	VF20254	2" "F" Body	1	\$21.68
5	VSMT20256	2" Male NPT End Plate	1	\$27.09



REPLACEMENT PARTS VSFHB200

ITEM	PART NO	DESCRIPTION	QTY	PRICE
1	VF20254	2" "F" Body	1	\$21.68
5	VSHB20256	2" Hose Barb End Plate	1	\$27.52



REPLACEMENT PARTS VSMT200

ITEM	PART NO	DESCRIPTION	QTY	PRICE
1	VMT20254	2" Male NPT Body	1	\$27.52
5	VS20256	2" Female End Plate	1	\$13.09

2" Full Port Ball Valves "Stubby Valve"™

PATENTED

FEATURES

- Stainless steel bolts.
- 100% PTFE ball seats.
- Glass-filled polypropylene.
- FKM (viton type) body seals.
- Unique compact design.
- 100 P.S.I. @ 70°F and 75 P.S.I. @ 150°F.
- Lightweight.

VSMT204FP



VSF204FP



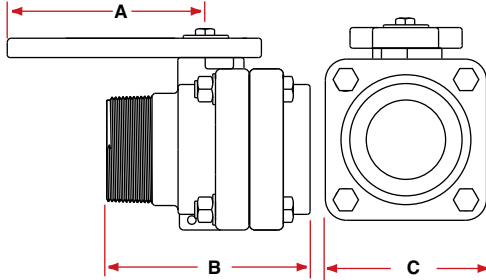
VS204FP



VSFMT204FP

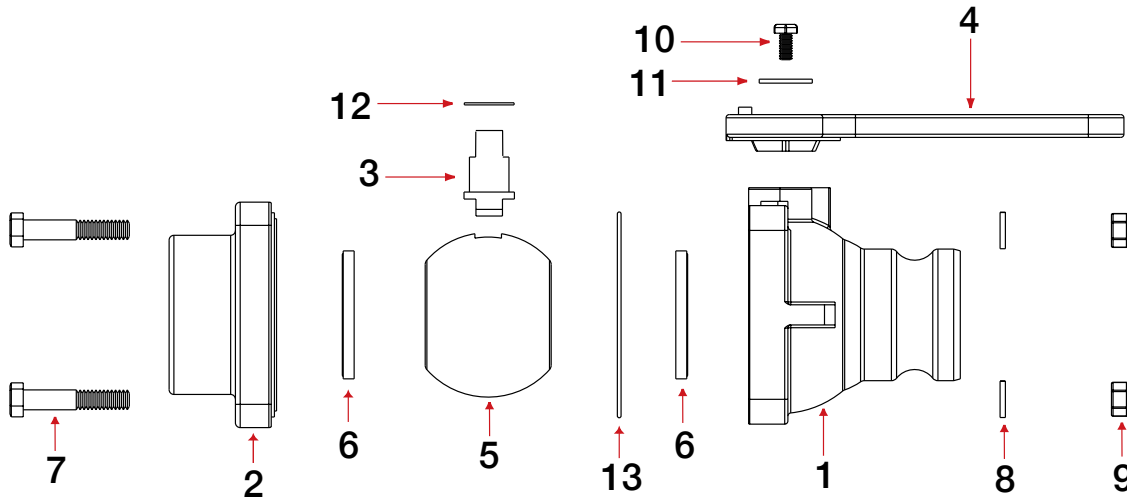


VSFMT204HSFP



2" FULL PORT STUBBY VALVES						
PART NO	DESCRIPTION	MAX PSI	PIPE SIZE	OPENING THRU BALL	QTY	PRICE
VSMT204FP	2" Male NPT x 2" Female NPT	100	2"	2"	18/box	\$77.75
VSF204FP	2" Male Adapter x 2" Female NPT	100	2"	2"	18/box	\$77.75
VS204FP	2" Female NPT x 2" Female NPT	100	2"	2"	18/box	\$77.75
VSFMT204FP	2" Male Adapter x 2" Male NPT	100	2"	2"	18/box	\$77.75
VSFMT204HSFP	2" FP Male Adapter x 2" Male NPT w/ SS Ball, Stem & Handle	100	2"	2"	18/box	\$204.14

DIMENSION CHART IN INCHES (REFER TO DRAWING ABOVE)				
PART NO	DESCRIPTION	A	B	C
VSMT204FP	2" Male NPT x 2" Female NPT	6.38	5.72	4.25
VSMT204HSFP	2" Male Adapter x 2" Male NPT w/ SS Ball, Stem & handle	5.94	6.50	4.25
VSF204FP	2" Male Adapter x 2" Female NPT	6.38	5.91	4.25
VS204FP	2" Female NPT x 2" Female NPT	6.38	5.19	4.25
VSFMT204FP	2" Male Adapter x 2" Male NPT	6.38	6.50	4.25



REPLACEMENT PARTS VSMT204FP-VSF204FP-VS204FP-VSFMT204FP

ITEM	PART NO	DESCRIPTION	QTY	PRICE
2	VSMT25356	2" FP End Plate	1	\$19.23
3	VS20151	Stem	1	\$9.98
4	VS25153	2" FP Stubby Handle	1	\$13.71
5	VS25255	2" FP Stubby Ball	1	\$13.15
6	VS25258AR1	2" FP Stubby Seat	2	\$5.78
7	V20010SS	3/8" - 16 x 2" SS Bolt	4	\$1.07
8	V20018	3/8" SS Lock Washer	4	\$0.44
9	V20019	3/8" 16 SS Hex Nut	4	\$1.07
10	V20020	Retaining Bearing	1	\$0.88
11	V20021	Handle Washer	1	\$0.44
12	V20060	PFTE Bearing Gasket	2	\$2.19
13	V25214V	FKM (viton type) Body Seal	1	\$5.62

NOTE: End plates and body style may vary from picture.



REPLACEMENT PARTS VSMT204FP

ITEM	PART NO	DESCRIPTION	QTY	PRICE
1	VFT25254	2" FP Stubby Female NPT Body	1	\$19.23
2	VSMT25356	2" FP Stubby MPT End Plate	1	\$19.23



REPLACEMENT PARTS VSFMT204FP

ITEM	PART NO	DESCRIPTION	QTY	PRICE
1	VF25254	2" FP Stubby Male Quick Connect Body	1	\$18.05
2	VS25356	2" FP Stubby Female NPT End Plate	1	\$19.23



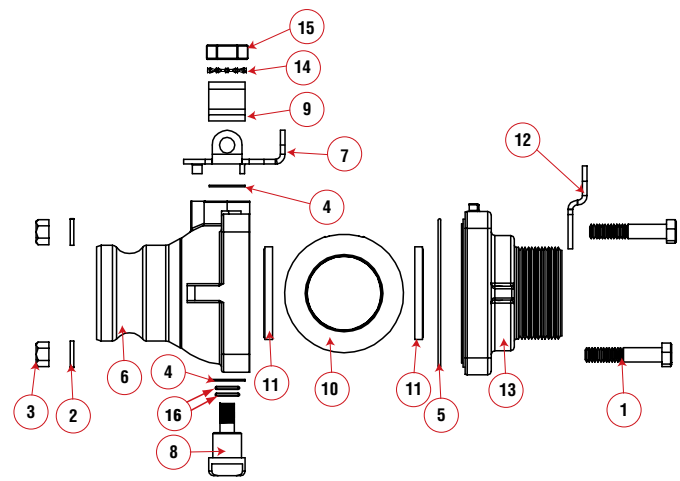
REPLACEMENT PARTS VSF204FP

ITEM	PART NO	DESCRIPTION	QTY	PRICE
1	VF25254	2" FP Stubby Male Quick Connect Body	1	\$18.05
2	VS25356	2" FP Stubby Female NPT End Plate	1	\$19.23



REPLACEMENT PARTS VS204FP

ITEM	PART NO	DESCRIPTION	QTY	PRICE
1	VFT25254	2" FP Stubby Female NPT Body	1	\$19.23
2	VSMT25356	2" FP Stubby MPT End Plate	1	\$19.23



REPLACEMENT PARTS VSFMT204HSFP

ITEM	PART NO	DESCRIPTION	QTY	PRICE
1	V20010SS	3/8" - 16 x 2" SS Bolt	4	\$1.07
2	V20018	3/8" SS Lock Washer	4	\$0.44
3	V20019	3/8" 16 SS Hex Nut	4	\$1.07
4	V20060	PFTE Bearing Gasket	2	\$2.19
5	V25214V	FKM (viton type) Body Seal	1	\$5.62
6	VF25254	2" Full Port Male Adapter Body	1	\$18.05
7	VS20101SS	SS Handle Stop	1	\$30.96
8	VS20151SS	SS Stem	1	\$40.63
9	VS25153SS	SS Handle	1	\$32.08
10	VS25255SS	2" FP SS Ball	1	\$77.63
11	VS25258AR1	2" FP Stubby Seat	2	\$5.78
12	VS20102SS	SS Handle Lock	1	\$15.00
13	VSMT25356	2" FP Stubby MPT End Plate	1	\$19.23
14	VSS15020	SS Handle Nut	1	\$2.36
15	VS20021	Washer	1	\$1.40
16	VS20163	FKM (viton type) O-ring	2	\$1.87

3" Standard Port Ball Valves "Stubby Valve"TM

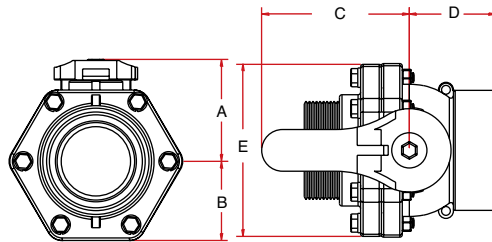
PATENTED

FEATURES

- Stainless steel bolts.
- Glass reinforced polypropylene.
- FKM (viton type) body seals.
- Three design options for standard and one for full port.
- Unique patented compact design.
- 100 P.S.I. @ 70°F and 75 P.S.I. @ 150°F.
- Lightweight.
- All PTFE ball seats.



3" STANDARD PORT STUBBY VALVES						
PART NO	DESCRIPTION	MAX PSI	PIPE SIZE	OPENING THRU BALL	QTY	PRICE
VSMT300	3" Female NPT x 3" Male NPT	100	3"	2 1/2"	6/box	\$165.52
VSF300	3" Female NPT x 3" Male Adapter	100	3"	2 1/2"	6/box	\$158.95
VSFMT300	3" Male NPT x 3" Male Adapter	100	3"	2 1/2"	6/box	\$158.95

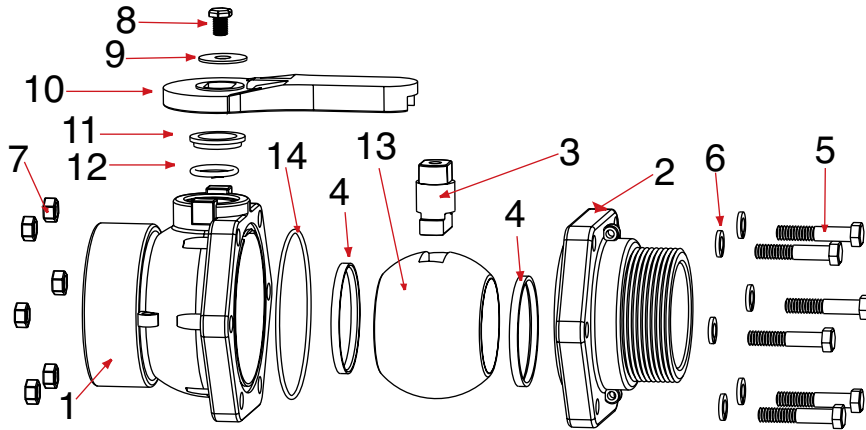


DIMENSION CHART IN INCHES (REFER TO DRAWING ABOVE)						
PART NO	DESCRIPTION	A	B	C*	D	E
VSMT300	3" Female NPT x 3" Male NPT	3.63	2.84	5.25/9.25	4.60	5.09
VSF300	3" Female NPT x 3" Male Adapter	3.63	2.84	5.25/9.25	4.60	5.65
VSFMT300	3" Male NPT x 3" Male Adapter	3.63	2.84	5.25/9.25	4.60	7.84

*Short handles: Add SH to end of part number. Dimension C = 5.25"



NOTE: End plates and body style may vary from picture.



REPLACEMENT PARTS VSMT300-VSF300-VSFMT300

ITEM	PART NO	DESCRIPTION	QTY	PRICE
3	VS25151B	Short Stem	1	\$13.71
4	VS30258	3" Stubby Seat	2	\$4.63
5	V20010SS	3/8" - 16 x 2" SS Bolt	6	\$1.07
6	V20018	3/8" SS Lock Washer	6	\$0.44
7	V20019	3/8" 16 SS Hex Nut	6	\$1.07
8	V25020	3/8" x 1/2" Handle Bolt	1	\$1.79
9	V25121	Handle Washer	1	\$0.58
10	V25153	Handle-Straight	1	\$13.71
11	V25160	Upper Stem Bushing	1	\$4.32
12	V25163	FKM (viton type) Stem O-Ring	1	\$3.75
13	VS30255	3" Ball	1	\$22.35
14	V30265	FKM (viton type) Body O-Ring	1	\$11.72

REPLACEMENT PARTS VSFMT300

ITEM	PART NO	DESCRIPTION	QTY	PRICE
1	VSMT30254	3" MPT Stubby Body	1	\$33.16
2	VSF30264	3" Stubby "F" End Plate	1	\$28.15



REPLACEMENT PARTS VSMT300

ITEM	PART NO	DESCRIPTION	QTY	PRICE
1	VS30254	3" Stubby Body	1	\$33.16
2	VSMT30264	3" Stubby Male NPT End Plate	1	\$34.39



REPLACEMENT PARTS VSF300

ITEM	PART NO	DESCRIPTION	QTY	PRICE
1	VS30254	3" Stubby Body	1	\$33.16
2	VSF30264	3" Stubby "F" End Plate	1	\$28.15

3" Full Port Ball Valves

"3" Stubby Valve"TM

PATENTED

FEATURES

- Stainless steel bolts.
- Glass reinforced polypropylene.
- FKM (viton type) body seals.
- Unique patented compact design.
- 100 P.S.I. @ 70°F and 75 P.S.I. @ 150°F.
- Lightweight.
- All PTFE ball seats.



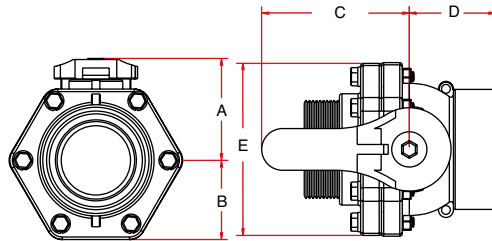
VSFMT300FP



VSFMT300HSFP

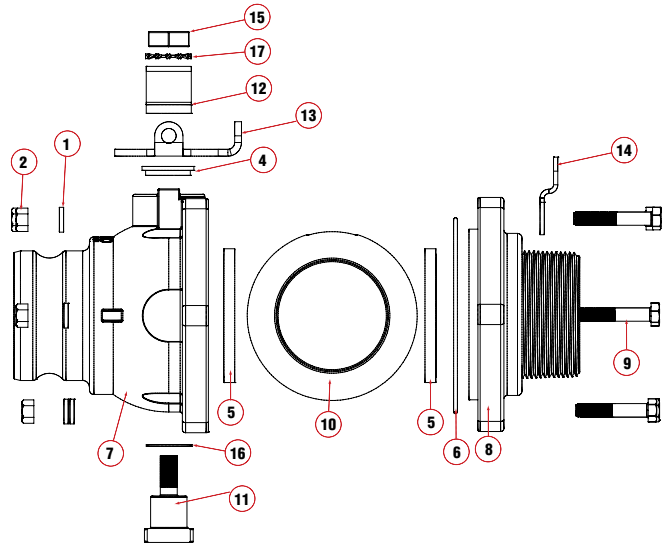
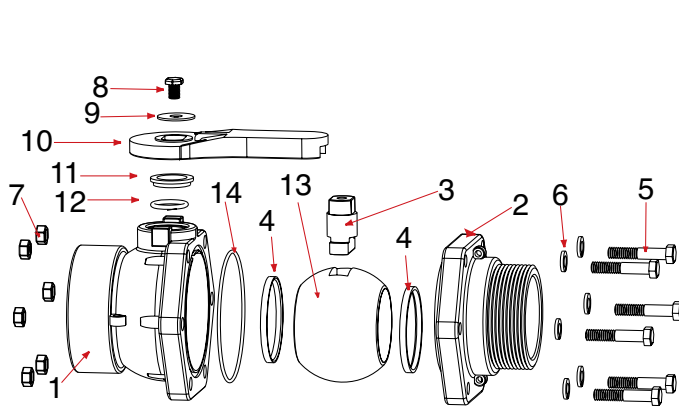
3" FULL PORT PORT STUBBY VALVES						
PART NO	DESCRIPTION	MAX PSI	PIPE SIZE	OPENING THRU BALL	QTY	PRICE
VSFMT300FP	3" FP Male Adapter x 3" Male NPT	100	3"	3"	6/box	\$201.24

3" FULL PORT STUBBY VALVES w/SS						
PART NO	DESCRIPTION	MAX PSI	PIPE SIZE	OPENING THRU BALL	QTY	PRICE
VSFMT300HSFP	3" FP Male Adapter x 3" Male NPT w/SS ball, Stem & Handle	100	3"	3"	6/box	\$382.56



DIMENSION CHART IN INCHES (REFER TO DRAWING ABOVE)						
PART NO	DESCRIPTION	A	B	C*	D	E
VSFMT300FP	3" FP Male Adapter x 3" Male NPT	9.25	8.19	7.31	0.91	7.34
VSFMT300HSFP	3" FP Male Adapter x 3" Male NPT w/SS ball, Stem & Handle	9.88	8.19	7.31	0.88	7.31

*Short handles: Add SH to end of part number. Dimension C = 5.25"



REPLACEMENT PARTS VSFMT300FP				
ITEM	PART NO	DESCRIPTION	QTY	PRICE
1	VSF35254	3" FP Stubby "F" Body	1	\$52.65
2	VSMT35256	3" FP Stubby Male NPT End Plate	1	\$48.17
3	VS25151B	Short Stem	1	\$13.71
4	VS35258	3" FP Stubby Seat	1	\$23.57
5	V20010SS	3/8" - 16 x 2" SS Bolt	6	\$1.07
6	V20018	3/8" SS Lock Washer	6	\$0.44
7	V20019	3/8" 16 SS Hex Nut	6	\$1.07
8	V25020	3/8" x 1/2" Handle Bolt	1	\$1.79
9	V25121	Handle Washer	1	\$0.58
10	V25153	Handle-Straight	1	\$13.71
11	V25160	Upper Stem Bushing	1	\$4.32
12	V25163	FKM (viton type) Stem O-Ring	1	\$3.75
13	V35255A	3" Ball	1	\$38.30
14	V35265	FKM (viton type) Body O-Ring	1	\$14.32

REPLACEMENT PARTS VSFMT300HSFP				
ITEM	PART NO	DESCRIPTION	QTY	PRICE
1	V20018	3/8" SS Lock Washer	6	\$0.44
2	V20019	3/8" 16 SS Hex Nut	6	\$1.07
3	V25163	FKM (viton type) Stem O-Ring	1	\$3.75
4	V25160	Upper Stem Bushing	1	\$4.32
5	VS35258	3" FP Stubby Seat	2	\$23.57
6	V35265	FKM (viton type) Valve Body O-Ring	1	\$14.32
7	VSF35254	3" FP Stubby "F" Body	1	\$52.65
8	VSMT35256	3" FP Stubby MPT End Plate	1	\$48.17
9	V20010SS	3/8" - 16 x 2" SS Bolt	6	\$1.07
10	V35255ASS	3" FP SS Ball	1	\$137.17
11	VS30151SS	SS Stem	1	\$54.65
12	VS30153SS	SS Handle	1	\$46.08
13	VS30101SS	SS Handle Stop	1	\$33.22
14	VS30102SS	SS Handle Lock	1	\$12.33
15	VSS30020	3/4"-16 SS Jam Nut	1	\$4.39
16	V25060	Thrust Washer	1	\$2.19
17	VS30021	Washer	1	\$4.39

3-Way Poly Ball Valves

FEATURES

- Stainless steel bolts.
- Precision molded in polypropylene. Polypropylene is reinforced with fiberglass for additional strength.
- Self-aligning ball moves freely against the PTFE seats for smooth operation.
- Ball is diamond turned, after molding, to make it spherically perfect, which provides precise contact between ball and seats.
- PTFE self-lubricating stem bushings and seats.
- Maximum operating pressure 100 P.S.I.
- FKM (viton type) body seals.



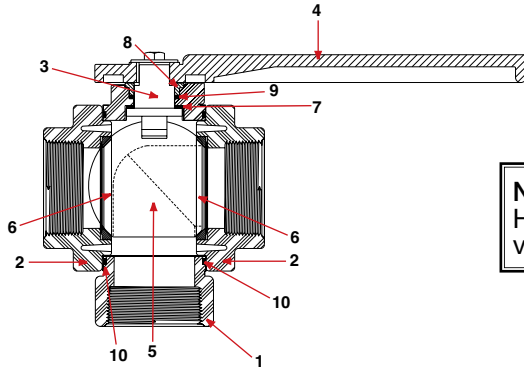
3 WAY BOTTOM LOAD VALVES							
PART NO	DESCRIPTION	MAX PSI	PIPE SIZE	OPENING THRU BALL	HANDLE TYPE	QTY	PRICE
V075BL	3/4" 3-Way Bottom Load Poly Valve	100	3/4"	1"	T	18/box	\$59.61
V100BL	1" 3-Way Bottom Load Poly Valve	100	1"	1"	T	18/box	\$59.61
V125BL	1 1/4" 3-Way Bottom Load Poly Valve	100	1 1/4"	1 1/2"	T	12/box	\$77.08
V150BL	1 1/2" 3-Way Bottom Load Poly Valve	100	1 1/2"	1 1/2"	T	12/box	\$77.08
V200BL	2" 3-Way Bottom Load Poly Valve	100	2"	2"	Straight	8/box	\$117.63
VT200BL	2" 3-Way Bottom Load Poly Valve	100	2"	2"	T	8/box	\$117.63

BOTTOM LOAD: Directional flow, right or left. Valve can be turned off to stop flow.

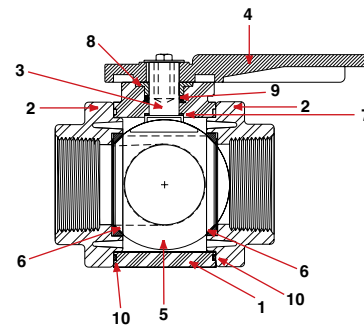


3 WAY SIDE LOAD VALVES							
PART NO	DESCRIPTION	MAX PSI	PIPE SIZE	OPENING THRU BALL	HANDLE TYPE	QTY	PRICE
V075SL	3/4" 3-Way Side Load Poly Valve	100	3/4"	1"	Straight	18/box	\$59.61
V100SL	1" 3-Way Side Load Poly Valve	100	1"	1"	Straight	18/box	\$59.61
VT100SL	1" 3-Way Side Load Poly Valve	100	1"	1"	T	18/box	\$60.79
V125SL	1 1/4" 3-Way Side Load Poly Valve	100	1 1/4"	1 1/2"	T	12/box	\$77.08
V150SL	1 1/2" 3-Way Side Load Poly Valve	100	1 1/2"	1 1/2"	T	12/box	\$77.08
V200SL	2" 3-Way Side Load Poly Valve	100	2"	2"	Straight	8/box	\$117.63
VT200SL	2" 3-Way Side Load Poly Valve	100	2"	2"	T	8/box	\$117.63

SIDE LOAD: Directional flow, right or left. Valve cannot be turned off.



NOTE:
Handle style will vary from picture.



Bottom Load 3-Way Poly Ball Valves

Side Load 3-Way Poly Ball Valves

REPLACEMENT PARTS V075BL-V100BL				
ITEM	PART NO	DESCRIPTION	QTY	PRICE
1	V07354B	3/4" Valve Body	1	\$10.83
1	V10354B	1" Valve Body	1	\$11.05
2	V07357	3/4" End Plate	2	\$11.77
2	V10257	1" End Plate	2	\$11.77
3	V10151A	Stem	1	\$4.48
4	V10353TB	Handle -T	1	\$4.48
5	V10355B	Ball	1	\$7.37
6	V10258	Seats	2	\$6.35
7	V10060	Thrust Bushing	1	\$1.59
8	V10159	Upper Stem Bushing	1	\$2.61
9	V10163	FKM (viton type) Stem O-Ring	1	\$2.19
10	V10264	FKM (viton type) Body O-Ring	2	\$6.07

REPLACEMENT PARTS V075SL-V100SL-VT100SL				
ITEM	PART NO	DESCRIPTION	QTY	PRICE
1	V07354S	3/4" Valve Body	1	\$11.05
1	V10354S	1" Valve Body	1	\$11.05
2	V07357	3/4" End Plate	2	\$11.77
2	V10257	1" End Plate	2	\$11.77
3	V10151A	Stem	1	\$4.48
4	V10153A	Handle -Straight	1	\$4.48
4	V10353TS	Handle-T	1	\$4.48
5	V10355S	Ball	1	\$7.37
6	V10258	Seats	2	\$6.35
7	V10060	Thrust Bushing	1	\$1.59
8	V10159	Upper Stem Bushing	1	\$2.61
9	V10163	FKM (viton type) Stem O-Ring	1	\$2.19
10	V10264	FKM (viton type) Body O-Ring	2	\$6.07

REPLACEMENT PARTS V125BL-V150BL				
ITEM	PART NO	DESCRIPTION	QTY	PRICE
1	V20344B	1 1/4" Valve Body	1	\$16.24
1	V20354B	1 1/2" Valve Body	1	\$16.24
2	V20267	1 1/4" End Plate	2	\$13.09
2	V20257	1 1/2" End Plate	2	\$13.09
3	V20151M	Stem	1	\$8.97
4	V20353TB	Handle -T	1	\$8.97
5	V20355B	Ball	1	\$12.29
6	VE20258A	Seats	2	\$10.85
7	V20060	Thrust Bushing	1	\$2.19
8	V20159	Upper Stem Bushing	1	\$3.18
9	V20163	FKM (viton type) Stem O-Ring	1	\$2.74
10	V20264	FKM (viton type) Body O-Ring	2	\$9.98

REPLACEMENT PARTS V125SL-V150SL				
ITEM	PART NO	DESCRIPTION	QTY	PRICE
1	V20344S	1 1/4" Valve Body	1	\$16.24
1	V20354S	1 1/2" Valve Body	1	\$16.24
2	V20267	1 1/4" End Plate	2	\$13.09
2	V20257	1 1/2" End Plate	2	\$13.09
3	V20151M	Stem	1	\$8.97
4	V20353TS	Handle -T	1	\$8.97
4	V20153	Handle-Straight	1	\$8.97
5	V20355S	Ball	1	\$12.29
6	VE20258A	Seats	2	\$10.85
7	V20060	Thrust Bushing	1	\$2.19
8	V20159	Upper Stem Bushing	1	\$3.18
9	V20163	FKM (viton type) Stem O-Ring	1	\$2.74
10	V20264	FKM (viton type) Body O-Ring	2	\$9.98

REPLACEMENT PARTS V200BL-VT200BL				
ITEM	PART NO	DESCRIPTION	QTY	PRICE
1	V25354B	2" Valve Body	1	\$17.05
2	V25356	2" End Plate	2	\$19.23
3	V25151B	Stem	1	\$13.73
4	V25353B	Handle-Straight	1	\$13.71
4	V25353TB	Handle -T	1	\$13.71
5	V25355B	Ball	1	\$16.03
6	V25258	Seats	2	\$12.13
7	V25060	Thrust Bushing	1	\$2.19
8	V25160	Upper Stem Bushing	1	\$4.32
9	V25163	FKM (viton type) Stem O-Ring	1	\$3.75
10	V25264	FKM (viton type) Body O-Ring	2	\$10.21

REPLACEMENT PARTS V200SL				
ITEM	PART NO	DESCRIPTION	QTY	PRICE
1	V25354S	2" Valve Body	1	\$17.05
2	V25356	2" End Plate	2	\$19.23
3	V25151B	Stem	1	\$13.73
4	V25153SH	Handle-Straight	1	\$13.71
4	V25353TS	Handle -T	1	\$13.71
5	V25355S	Ball	1	\$16.03
6	V25258	Seats	2	\$12.13
7	V25060	Thrust Bushing	1	\$2.19
8	V25160	Upper Stem Bushing	1	\$4.32
9	V25163	FKM (viton type) Stem O-Ring	1	\$3.75
10	V25264	FKM (viton type) Body O-Ring	2	\$10.21

Polypropylene Nozzle Valves

FEATURES

- Lightweight hose end valve for convenient transfer of liquids into drums, tanks, etc.
- Angled end flange with 8" long polypropylene fill spout.
- All stainless bolts.



1 1/2" & 2"

VA150
VA200/150
VA200



2" Full Port

VA200FP

1 1/2" & 2" POLY NOZZLE VALVES W/90° ELBOW

PART NO	DESCRIPTION	MAX PSI	PIPE SIZE	OPENING THRU BALL	FEMALE NPT	QTY	PRICE
VA150	1 1/2" Nozzle Valve w/90° Elbow	150	1 1/2" x 8"	1 1/2"	1 1/2"	12/box	\$70.44
VA200/150	2" x 1 1/2" Nozzle Valve w/90° Elbow	150	1 1/2" x 8"	1 1/2"	2" x 1 1/2"	12/box	\$70.44
VA200	2" Nozzle Valve w/90° Elbow	150	2" x 8"	1 1/2"	2"	12/box	\$70.44
VA200FP	2" FP Nozzle Valve w/90° Elbow	150	2" x 8"	2"	2"	6/box	\$105.39

FEATURES

- Lightweight hose end valve for convenient transfer of liquids into drums, tanks, etc.
- Angled end flange with 8" long polypropylene fill spout.
- All stainless bolts.



1"

VA100



1"

UVA100FP

1" POLY NOZZLE VALVES W/45° ELBOW

PART NO	DESCRIPTION	MAX PSI	PIPE SIZE	OPENING THRU BALL	FEMALE NPT	QTY	PRICE
VA100	1" Nozzle Valve w/45° Elbow	150	1"	3/4"	1"	24/box	\$48.20
UVA100FP	1" FP EPDM Nozzle Valve w/45° Elbow	100	1"	1"	1"	1	\$41.32

Poly Dispensing Nozzle

FEATURES

- Glass reinforced polypropylene.
- 304 stainless steel handle, spring and pin.
- FKM (viton type) rubber parts only.
- Resists corrosion.
- 75 P.S.I. Maximum.



1"

VN100

1" POLY DISPENSING NOZZLE

PART NO	DESCRIPTION	MAX PSI	PIPE SIZE	OPENING THRU BALL	FEMALE NPT	QTY	PRICE
VN100	1" Poly Dispensing Nozzle	75	1"	N/A	1"	1	\$75.15



REPLACEMENT PARTS VA150-VA200-VA200/150			
PART NO	DESCRIPTION	QTY	PRICE
V20151M	Stem	1	\$8.97
V20152	Red Angle Handle	1	\$8.97
V20254	Body	1	\$12.57
V20255A*	Ball	1	\$12.29
V20256	2" FPT End Plate	2	\$13.09
V20257	1½" End Plate	2	\$13.09
V20258A*	Ball Seat	2	\$9.98
V20264*	FKM (viton type) Body O-Ring	2	\$9.98
V20159*	Upper Stem Bushing	1	\$3.18
V20060*	Thrust Washer	1	\$2.19
V20261	2" FP Angle End Flange	1	\$27.09
V20262	1½" FP Angle End Flange	1	\$27.09
V20163*	FKM (viton type) Stem O-Ring	1	\$2.74
V20166	1½" x 8" Nozzle Pipe	1	\$6.93
V25165	2" x 8" Nozzle Pipe	1	\$7.37
V20017	¾" x 4½" SS Bolt	4	\$1.79
V20018	¾" SS Lock Washer	4	\$0.44
V20019	¾" 16 SS Hex Nut	4	\$1.07
V20020	¾" x ½" Handle Bolt	1	\$0.88
V20021	S.S. Handle Washer	1	\$0.44
V20200	Repair Kit	1	\$43.12

REPLACEMENT PARTS VA200FP			
PART NO	DESCRIPTION	QTY	PRICE
V25151B	Stem	1	\$13.73
V25152	Red Angle Handle	1	\$13.71
V25254	Body	1	\$17.05
V25255A*	Ball	1	\$13.15
V25256	2" FPT End Plate	2	\$19.23
V25261	2" FP Angle End Flange	1	\$42.33
V25258A*	Ball Seat	2	\$12.13
V25264*	FKM (viton type) Body O-Ring	2	\$10.21
V25160*	Upper Stem Bushing	1	\$4.32
V25060*	Thrust Washer	1	\$2.19
V25163*	FKM (viton type) Stem O-Ring	1	\$3.75
V25017	¾" x 4½" SS Bolt	6	\$2.46
V20018	¾" SS Lock Washer	6	\$0.44
V20019	¾" 16 SS Hex Nut	6	\$1.07
V25020	¾" x ½" Handle Bolt	1	\$1.79
V25121	S.S. Handle Washer	1	\$0.58
V25165	2" x 8" Nozzle Pipe	1	\$7.37
V25200	Repair Kit	1	\$56.74



REPLACEMENT PARTS VA100			
PART NO	DESCRIPTION	QTY	PRICE
V07151A	Stem	1	\$3.92
V10153A	Handle	1	\$4.48
V07254	Body	1	\$8.50
V07155*	Ball	1	\$6.73
V07256	1" End Plate	2	\$9.80
V07258A*	Ball Seat	2	\$4.98
V07264*	FKM (viton type) Body O-Ring	2	\$4.98
V07159*	Upper Stem Bushing	1	\$2.39
V07060*	Thrust Washer	1	\$2.39
V07163*	FKM (viton type) Stem O-Ring	1	\$1.52
V07017	¼" x 4½" SS Bolt	4	\$1.16
V07018	¼" SS Lock Washer	4	\$0.44
V07019	¼" SS Body Nut	4	\$0.44
V10020A	#10 x 1¼" SS Handle Bolt	1	\$1.07
V07021A	S.S. Handle Washer	1	\$0.44
V10161	1" Poly Nozzle Pipe	1	\$14.09
V07200	Repair Kit	1	\$24.01

REPLACEMENT PARTS UVA100FP			
PART NO	DESCRIPTION	QTY	PRICE
UV10150	1" Union End Cap	1	\$5.87
UV10151	1" Union Stem	1	\$5.10
UV10153	1" Union Handle	1	\$5.10
UV10163	1" Union Stem EPDM O-Ring	2	\$1.57
UV10254	1" Union Valve Body	1	\$7.00
UV10255	1" Union Valve Seat	1	\$7.00
UV10256	1" Union End Plate	1	\$5.10
UV10258	1" Union Valve Seat	2	\$4.13
UV10264	1" Union Body EPDM O-Ring	1	\$2.93
V10161	1" Poly Nozzle Pipe	1	\$14.09



REPLACEMENT PARTS VN100			
PART NO	DESCRIPTION	QTY	PRICE
VN10253	1" Valve Nozzle Handle	1	\$6.51
VN10254	1" Valve Nozzle Body	1	\$21.82
VN10263*	1" Valve Nozzle Stem O-Ring	2	\$1.16
VN10264*	1" Valve Nozzle Body O-Ring	1	\$2.02
VN10265*	Snap Ring for Valve Nozzle	1	\$1.32
VN10269	1" Valve Nozzle Plug	1	\$2.19
VN10270*	1" Valve Nozzle Poppet	1	\$2.19
VN10271*	1" Valve Nozzle Gasket	1	\$5.64
VN10273	1" Valve Nozzle Pin	1	\$6.51
VN10274*	1" Valve Nozzle Spring	1	\$6.78
VN10200	Repair Kit (Includes asterisk * items)	1	\$25.36

***Valve repair kits contain items marked with asterisk :**
 1 Ball 2 Body O-Rings 1 Thrust Washer
 2 Ball Seats 1 Upper Stem Bushing 1 Stem O-Ring

VALVES

Single Union Polypropylene Ball Valve

FEATURES

- Precision molded in glass reinforced polypropylene, for strength and chemical resistance.
- PTFE seats for smooth operation and proper sealing characteristics.
- EPDM O-rings to handle most fertilizers and many chemicals.
- Double O-rings in stem area for extra sealing protection.
- Interlocking body and end plate to allow easy thread connection when installing valves.
- Maximum operating pressure 100 P.S.I. at 70°F.



SINGLE UNION POLY VALVES						
PART NO	DESCRIPTION	MAX PSI	PIPE SIZE	OPENING THRU BALL	QTY	PRICE
SUV050FP	1/2" Full Port Union Valve	100	1/2"	1/2"	1	\$20.69
SUV075FP	3/4" Full Port Union Valve	100	3/4"	3/4"	1	\$20.69
SUV100FP	1" Full Port Union Valve	100	1"	1"	1	\$25.85
SUV125FP	1 1/4" Full Port Union Valve	100	1 1/4"	1 1/4"	1	\$44.39
SUV150FP	1 1/2" Full Port Union Valve	100	1 1/2"	1 1/2"	1	\$44.10
SUV200FP	2" Full Port Union Valve	100	2"	2"	1	\$55.98

MANIFOLD SINGLE UNION POLY VALVE						
PART NO	DESCRIPTION	MAX PSI	PIPE SIZE	OPENING THRU BALL	QTY	PRICE
MSUV100FP	1" Manifold Full Port Union Valve	100	1"	1"	1	\$25.85

Single Union Polypropylene Ball Valve

FEATURES

- Precision molded in glass reinforced polypropylene, for strength and chemical resistance.
- PTFE seats for smooth operation and proper sealing characteristics.
- Double O-rings in stem area for extra sealing protection.
- Interlocking body and end plate to allow easy thread connection when installing.
- Maximum operating pressure 100 P.S.I. at 70°F.



SPINWELD POLY VALVES							
PART NO	DESCRIPTION	STEM O-RING	MAX PSI	PIPE SIZE	OPENING THRU BALL	QTY	PRICE
UV050FP	1/2" Single Union Poly Valve	EPDM	100	1/2"	3/4"	1	\$20.69
UV075FP	3/4" Single Union Poly Valve	EPDM	100	3/4"	3/4"	1	\$20.69
UV100FP	1" Single Union Poly Valve	EPDM	100	1"	1"	1	\$25.85
UV125FP	1 1/4" Single Union Poly Valve	EPDM	100	1 1/4"	1 1/2"	1	\$44.39
UV150FP	1 1/2" Single Union Poly Valve	EPDM	100	1 1/2"	1 1/2"	1	\$44.10
UV200FP	2" Single Union Poly Valve	EPDM	100	2"	2"	1	\$55.98

SPINWELD POLY VALVES							
PART NO	DESCRIPTION	STEM O-RING	MAX PSI	PIPE SIZE	OPENING THRU BALL	QTY	PRICE
WSFMT200	2" Male Adapter x 2" Male NPT Standard Port	FKM (viton type)	150	2"	1 1/2"	1	\$55.21
WSFMT200FP	2" Male Adapter x 2" Male NPT Full Port	FKM (viton type)	150	2"	2"	1	\$60.34

Poly Air Actuated Shutoff Valves

FEATURES

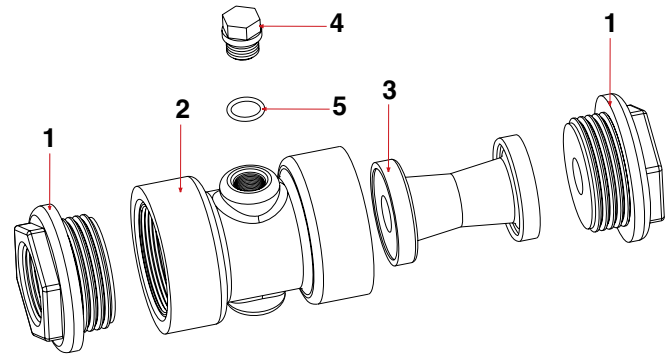
- Open position allows full, unobstructed flow, 50-60 GPM.
- Air pressure collapses the internal rubber sleeve to provide positive shut off.
- Standard EPDM rubber bladder seal, FKM (viton type) available.
- Female NPT Threads.
- Maximum air pressure 100 P.S.I.



Attention: The polypropylene air actuated valve is normally an open valve, and has a maximum liquid pressure of 70 P.S.I.

The pressure differential (pressure it takes to close valve) of the valve is 15 to 20 P.S.I.

POLY PINCH VALVES						
PART NO	DESCRIPTION	GASKET	MAX PSI	PIPE SIZE	PRESSURE DIFFERENCE	QTY PRICE
PV075	3/4" x 3/4" Poly Pinch Valve	EPDM	70	3/4"	15 to 20 PSI	1 \$89.97
PV075V	3/4" Poly Pinch Valve	FKM (viton type)	70	3/4"	15 to 20 PSI	1 \$146.33
PV100	1" x 1" Poly Pinch Valve	EPDM	70	1"	15 to 20 PSI	1 \$89.97
PV100V	1" x 1" Poly Pinch Valve	FKM (viton type)	70	1"	15 to 20 PSI	1 \$146.33
PV100-075	1" x 3/4" Poly Pinch Valve	EPDM	70	1" x 3/4"	15 to 20 PSI	1 \$89.97
PV100-075V	1" x 3/4" Poly Pinch Valve	FKM (viton type)	70	1" x 3/4"	15 to 20 PSI	1 \$146.33
PV100-075B	1" x 3/4" Poly Pinch Valve Female Coupler	EPDM	70	1" x 3/4"	15 to 20 PSI	1 \$105.46
PV100-075BV	1" x 3/4" Female Coupler Poly Pinch Valve	FKM (viton type)	70	1" x 3/4"	15 to 20 PSI	1 \$154.22



REPLACEMENT PARTS PV075 - PV100 - PV100-075 - PV100-075B PV100V - PV100-075V - PV100-075BV				
ITEM	PART NO	DESCRIPTION	QTY	PRICE
2	PV10254	Body	1	\$42.84
4	12723	1/4" Drain Plug	1	\$2.01
5	12724	EPDM O-Ring for Drain Plug	1	\$0.44

REPLACEMENT PARTS PV075				
ITEM	PART NO	DESCRIPTION	QTY	PRICE
1	PV07257	3/4" End Plate	2	\$14.04
3	PV10265	EPDM Rubber Bladder Seal	1	\$16.45

REPLACEMENT PARTS PV075V				
ITEM	PART NO	DESCRIPTION	QTY	PRICE
1	PV07257	3/4" End Plate	2	\$14.04
3	PV10265V	FKM (viton type) Rubber Bladder Seal	1	\$51.95

REPLACEMENT PARTS PV100 - PV100-075				
ITEM	PART NO	DESCRIPTION	QTY	PRICE
1	PV07256	1" End Plate	2	\$14.04
1	PV07257	3/4" End Plate (1 only)	1	\$14.04
3	PV10265	EPDM Rubber Bladder Seal	1	\$16.45

REPLACEMENT PARTS PV100V - PV100-075V				
ITEM	PART NO	DESCRIPTION	QTY	PRICE
1	PV07256	1" End Plate	2	\$14.04
1	PV07257	3/4" End Plate (1 only)	1	\$14.04
3	PV10265V	FKM (viton type) Rubber Bladder Seal	1	\$51.95

REPLACEMENT PARTS PV100-075B				
ITEM	PART NO	DESCRIPTION	QTY	PRICE
1	PV07256	1" End Plate	2	\$14.04
1	PV07257B	3/4" Pinch Valve Female Coupler End	1	\$34.15
3	PV10265	EPDM Rubber Bladder Seal	1	\$16.45

REPLACEMENT PARTS PV100-075BV				
ITEM	PART NO	DESCRIPTION	QTY	PRICE
1	PV07256	1" End Plate	1	\$14.04
1	PV07257B	3/4" Pinch Valve Female Coupler End	1	\$34.15
3	PV10265V	FKM (viton type) Rubber Bladder Seal	1	\$51.95

Polypropylene Check Valve

FEATURES

- One piece construction.
- 150 P.S.I. maximum.
- 1-2 P.S.I. spring.
- Glass reinforced polypropylene.
- 316 stainless steel springs.
- EPDM gasket.

MINI CHECK VALVE					
PART NO	DESCRIPTION	MAX PSI	PIPE SIZE	QTY	PRICE
CV100MT	1" Male x Female NPT	150	1"	1	\$20.96

CHECK VALVE					
PART NO	DESCRIPTION	MAX PSI	PIPE SIZE	QTY	PRICE
CV300	3" Full Port Check Valve	150	3"	1	\$42.76

See flange clamps and gaskets on page 85.
See page 82 for our manifold version.



316 Stainless Steel Two Piece Ball Valves

FEATURES

- 316 stainless steel.
- Blow out proof stem.
- All valves 100% tested by air, underwater at 100 P.S.I. in open and closed positions.
- Latch locking handle performs in both open and closed positions.
- Mounting pad.
- PTFE seals and seats.
- All full port design.
- Valves rated at 1,000 P.S.I.

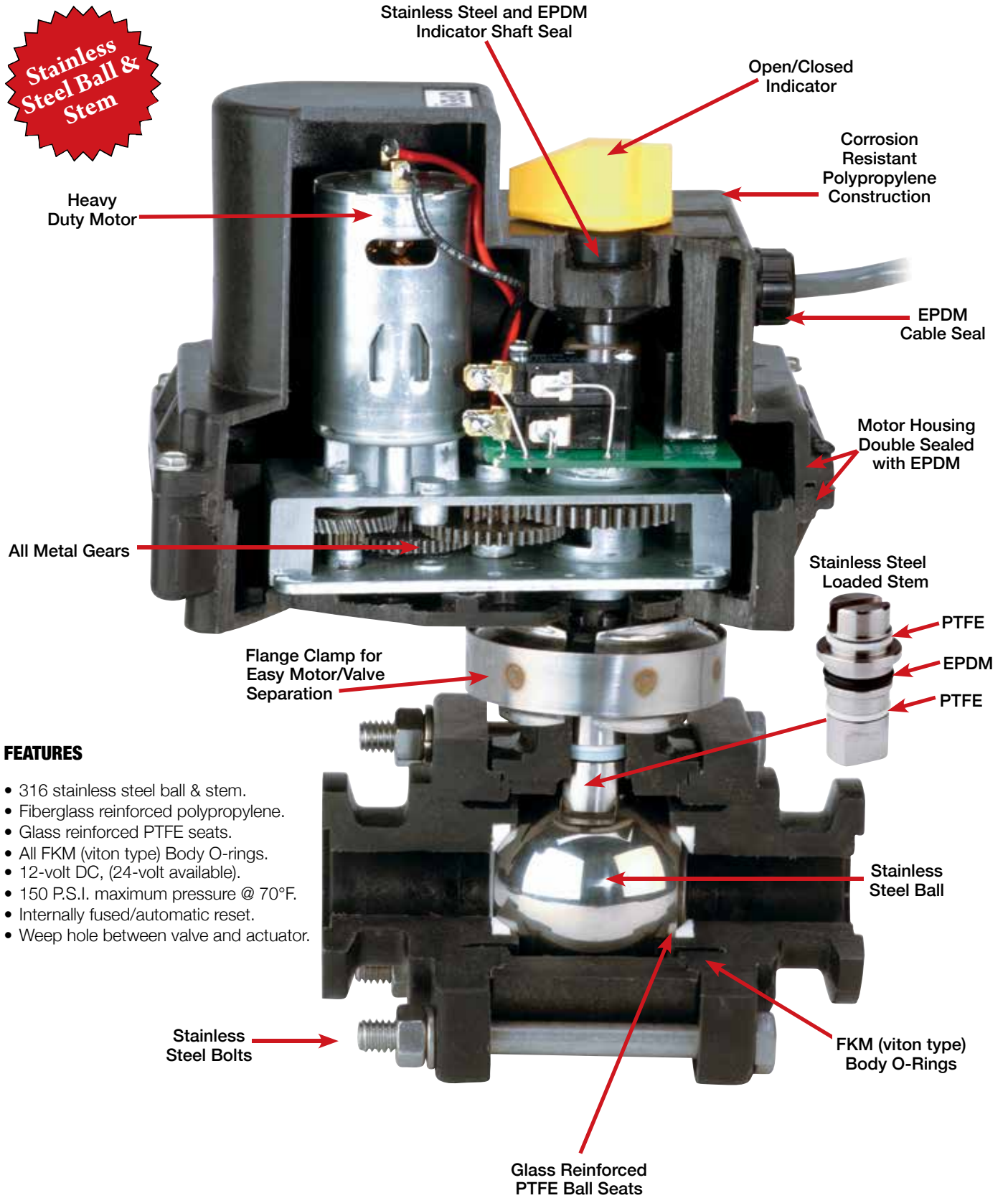
316 SS FULL PORT BALL VALVES							
PART NO	DESCRIPTION	HANDLE TYPE	MAX PSI	PIPE SIZE	OPENING THRU BALL	QTY	PRICE
VSS025	1/4" SS Full Port Ball Valve	Straight	1000	1/4"	1/4"	1	\$88.68
VSS038	3/8" SS Full Port Ball Valve	Straight	1000	3/8"	3/8"	1	\$88.68
VSS050	1/2" SS Full Port Ball Valve	Straight	1000	1/2"	1/2"	1	\$105.15
VSS075	3/4" SS Full Port Ball Valve	Straight	1000	3/4"	3/4"	1	\$124.97
VSS100	1" SS Full Port Ball Valve	Straight	1000	1"	1"	1	\$151.43
VSS125	1 1/4" SS Full Port Ball Valve	Straight	1000	1 1/4"	1 1/4"	1	\$218.29
VSS150	1 1/2" SS Full Port Ball Valve	Straight	1000	1 1/2"	1 1/2"	1	\$276.35
VSS200	2" SS Full Port Ball Valve	Straight	1000	2"	2"	1	\$363.33
VSS300	3" SS Full Port Ball Valve	Straight	1000	3"	3"	1	\$1,254.13



REPLACEMENT PARTS HANDLES			
PART NO	DESCRIPTION	QTY	PRICE
VSS05153	Handle for VSS025, VSS038 & VSS050	1	\$14.89
VSS07153	Handle for VSS075	1	\$14.89
VSS10153	Handle for VSS100 & VSS125	1	\$20.50
VSS15153	Handle for VSS150	1	\$23.82
VSS20153	Handle for VSS200	1	\$23.82
VSS35153	Handle for VSS300	1	\$51.30

REPLACEMENT PARTS			
PART NO	DESCRIPTION	QTY	PRICE
VSS02500	1/4" & 3/8" Repair Kit (Includes all PTFE seals & seats)	1	\$14.54
VSS05200	1/2" Repair Kit (Includes all PTFE seals & seats)	1	\$19.36
VSS07200	3/4" Repair Kit (Includes all PTFE seals & seats)	1	\$19.68
VSS10200	1" Repair Kit (Includes all PTFE seals & seats)	1	\$21.77
VSS12500	1 1/4" Repair Kit (Includes all PTFE seals & seats)	1	\$37.57
VSS15200	1 1/2" Repair Kit (Includes all PTFE seals & seats)	1	\$38.38
VSS25200	2" Repair Kit (Includes all PTFE seals & seats)	1	\$60.05
VSS35200	3" Repair Kit (Includes all PTFE seals & seats)	1	\$144.33

Stainless Steel Ball & Stem



FEATURES

- 316 stainless steel ball & stem.
- Fiberglass reinforced polypropylene.
- Glass reinforced PTFE seats.
- All FKM (viton type) Body O-rings.
- 12-volt DC, (24-volt available).
- 150 P.S.I. maximum pressure @ 70°F.
- Internally fused/automatic reset.
- Weep hole between valve and actuator.

ELECTRIC VALVES

Electric Valves 3/8" & 1/2" Threaded

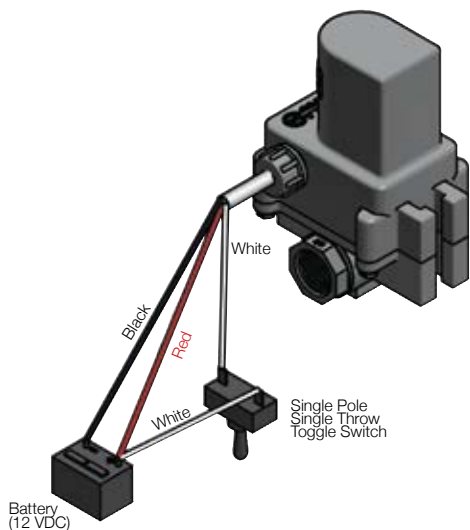
FEATURES

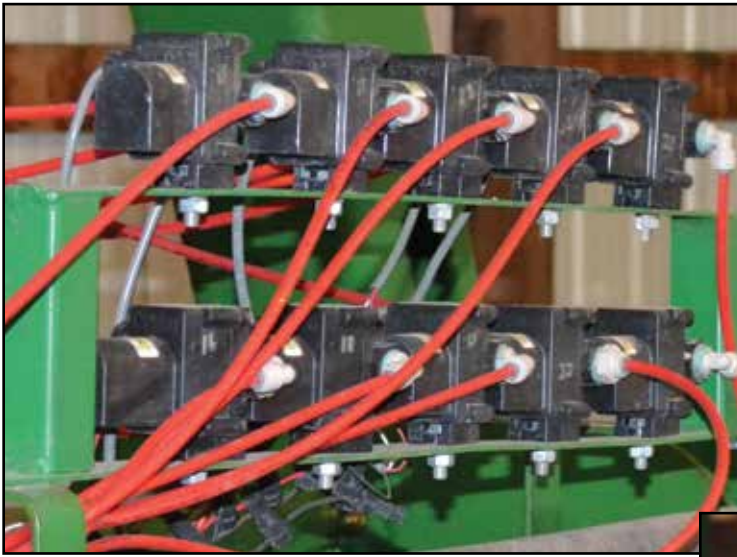
- 12 Volt DC
- Stationary current draw: less than 0.04 amps.
- Rotating current draw: less than 0.40 amps.
- Stall current: 0.75 amps
- Response time: 1/3 sec open to close
- TFM seats
- EPDM seals
- Fiberglass reinforced polypropylene ball.
- Integrated mounting slot
- Standard 3 wire configuration.
- Max Pressure = 200 PSI @ 70 °F.



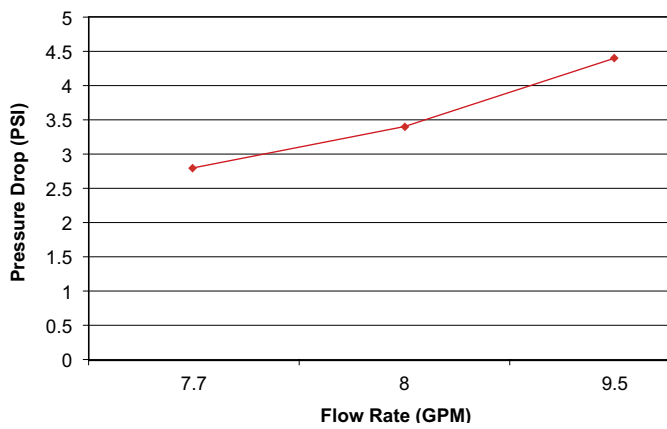
1/3 Second Response Time

3/8"-1/2" ON/OFF ELECTRIC VALVES						
PART NO	DESCRIPTION	MAX PSI	PIPE SIZE	OPENING THRU BALL	QTY	PRICE
LEV038	3/8" Full Port Electric Valve	200	3/8"	1"	1	\$183.74
LEV050	1/2" Electric Valve	200	15/32"	1"	1	\$183.74

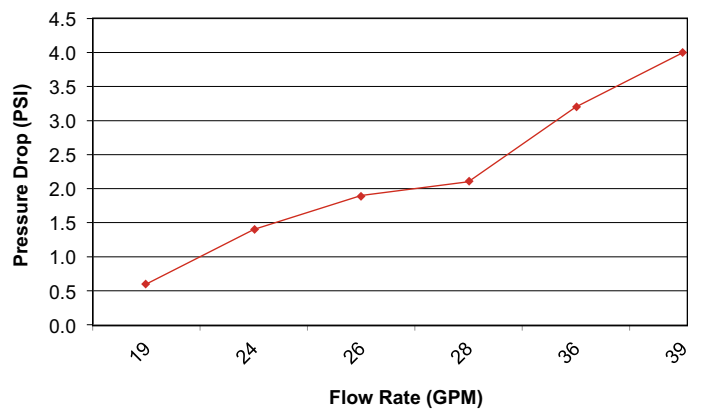




LEV038



LEV050



Electric Valves

3/4," 1," 1 1/4" Threaded

ELECTRIC VALVES

FEATURES

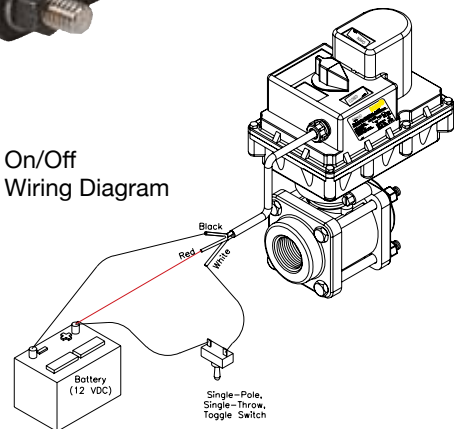
- 316 stainless steel ball & stem.
- Stainless steel hardware.
- Fiberglass reinforced polypropylene.
- Glass reinforced PTFE seats.
- FKM (viton type) or EPDM O-rings.
- 12-volt DC operated.
- 24-volt available in most models.
- 150 P.S.I. maximum pressure @ 70°F.
- Easily repairable.
- Open/closed indicator.



3/4 Second Response Time

3/4"-1 1/4" ON/OFF ELECTRIC VALVES						
PART NO	DESCRIPTION	MAX PSI	PIPE SIZE	OPENING THRU BALL	QTY	PRICE
EV075	3/4" Full Port Electric Valve	150	3/4"	1"	1	\$483.03
EV100FP	1" Full Port Electric Valve	150	1"	1"	1	\$483.03
EV125	1 1/4" Electric Valve	150	1 1/4"	1"	1	\$483.03

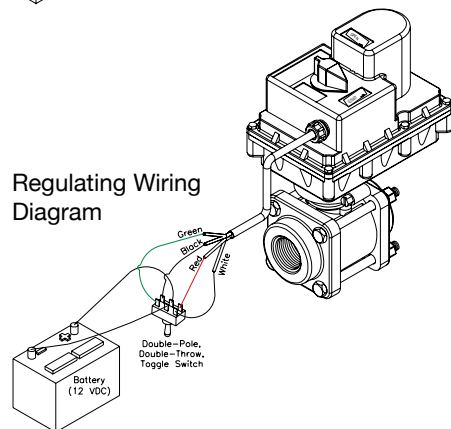
On/Off Wiring Diagram



4 Second Response Time

3/4"-1 1/4" REGULATING ELECTRIC VALVES						
PART NO	DESCRIPTION	MAX PSI	PIPE SIZE	OPENING THRU BALL	QTY	PRICE
EVR075	3/4" Full Port Electric Valve	150	3/4"	1"	1	\$668.73
EVR100FP	1" Full Port Electric Valve	150	1"	1"	1	\$668.73
EVR125	1 1/4" Electric Valve	150	1 1/4"	1"	1	\$668.73

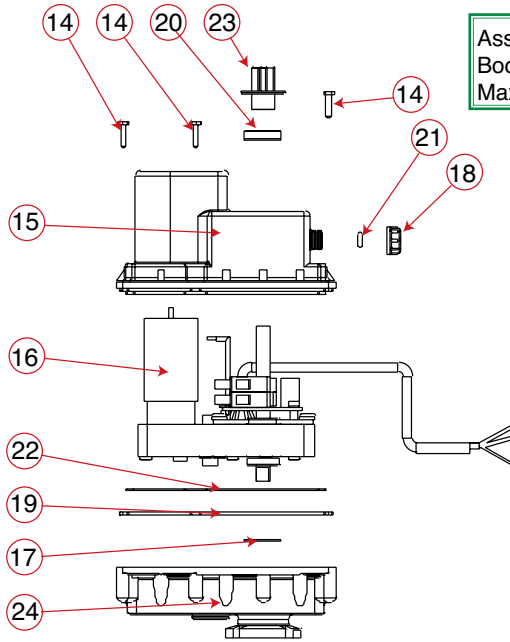
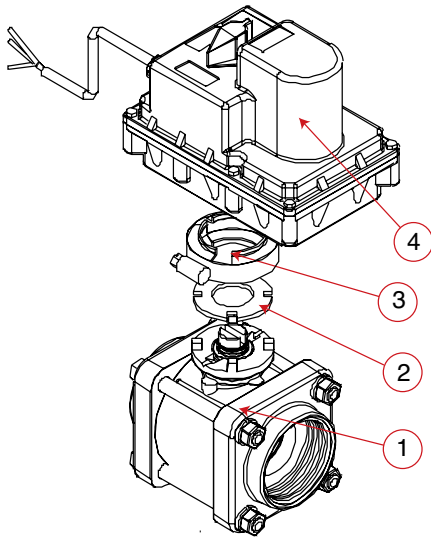
Regulating Wiring Diagram



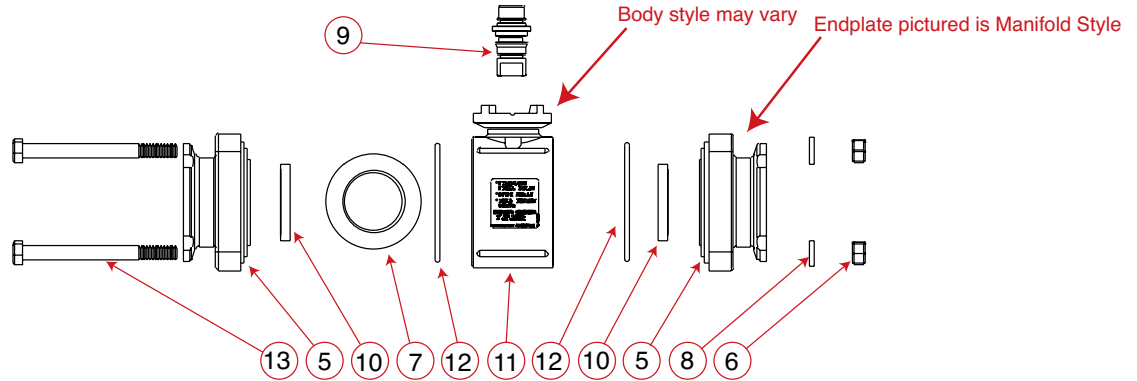
Note: 2 wire regulating and other response times available. Contact our Sales Team for part number and availability of valves.



Fast repair replacement options.



Assembly Specs:
 Body bolt tightening torque: 75 in-lb
 Max stem turning torque: 75 in-lb



ELECTRIC VALVES

REPLACEMENT PARTS EV075-EVR075-EV100FP-EVR100FP-EV125-EVR125				
ITEM	PART NO	DESCRIPTION	QTY	PRICE
1	EV075XR1	3/4" Electric Valve Sub Assembly	1	\$142.28
1	EV100XR1	1" Electric Valve Sub Assembly	1	\$142.28
1	EV125XR1	1 1/4" Electric Valve Sub Assembly	1	\$142.28
2	MVE004	Electric Valve Flange Gasket	1	\$0.42
3	FC100	1" Flange Clamp	1	\$10.30
4	EV3100	3/4" Second 3 Wire Motor Assembly	1	\$317.51
4	EVR3100	Regulating 4 Wire, 4 Second	1	\$317.51
4	EVR3102	Regulating 2 Wire, 8 Second	1	\$317.51
5	VE07357A	3/4" Threaded End Plate	2	\$22.47
5	VE10257A	1" Threaded End Plate	2	\$15.06
5	VE10256A	1 1/4" Threaded End Plate	2	\$15.06
6	V10119	5/16" SS Body Nut	4	\$0.58
7	VE10155SSH	1" 316 SS Hollow Ball	1	\$28.20
8	V10118	5/16" SS Lock Washer	4	\$0.44
9	MEV10151	1" SS Stem w/Seals	1	\$63.75
10	VE10258A	1" Electric Ball Seat	2	\$10.33
11	MEV10254A	1" Body	1	\$14.91

REPLACEMENT PARTS EV075-EVR075-EV100FP-EVR100FP-EV125-EVR125				
ITEM	PART NO	DESCRIPTION	QTY	PRICE
12	VE10264	1" FKM (viton type) Body O-Ring	2	\$6.29
13	V10117	5/16" x 3 1/2" SS Body Bolt	4	\$1.44
14	VE15220	Housing Screw	6	\$0.30
15	MEV10102A	Housing Top for Small Motor	1	\$41.94
16	VE4984	3/4" Second 3 Wire On/Off Motor	1	\$337.00
16	VE4983	4 Second 4 Wire Regulating Motor	1	\$411.88
17	MVE105	Motor Shaft Gasket	1	\$0.42
18	MVE002	Heyco 1/4" Threaded Bushing	1	\$0.86
19	MVE104	Outer Housing Gasket	1	\$3.14
20	VE109E	Indicator Seal	1	\$4.76
21	MVE007	3mm x 5mm FKM (viton type) O-Ring	1	\$1.07
22	MVE106	Inner Housing Gasket	1	\$2.77
23	VE107B	Flow Indicator	1	\$7.49
24	MEV10101	Housing Bottom for Small Motor	1	\$57.66
25	EV10210	Repair Kit (Includes items 2, 9, 10, 12)	1	\$80.05

Electric Valves 1½", 2" Threaded

FEATURES

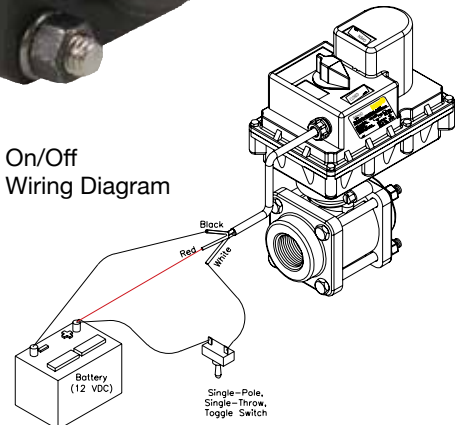
- 316 stainless steel ball & stem.
- Stainless steel hardware.
- Fiberglass reinforced polypropylene.
- Glass reinforced PTFE seats.
- FKM (viton type) or EPDM O-rings.
- 12-volt DC operated.
- 24-volt available in most models.
- 150 P.S.I. maximum pressure @ 70°F.
- Easily repairable.
- Open/closed indicator.



ON/OFF Electric Valves - 1¼ Second Response Time

1½"-2" ON/OFF ELECTRIC VALVES						
PART NO	DESCRIPTION	MAX PSI	PIPE SIZE	OPENING THRU BALL	QTY	PRICE
EV150	1½" Electric Valve	150	1½"	1½"	1	\$708.06
EV200	2" Electric Valve	150	2"	1½"	1	\$708.06

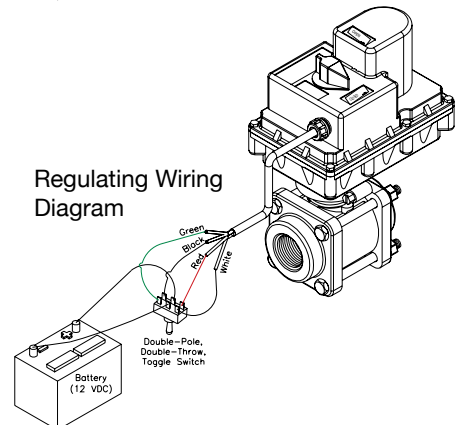
On/Off Wiring Diagram



REGULATING Electric Valves - 4 Second Response Time

1½"-2" REGULATING ELECTRIC VALVES						
PART NO	DESCRIPTION	MAX PSI	PIPE SIZE	OPENING THRU BALL	QTY	PRICE
EVR150	1½" Electric Valve	150	1½"	1½"	1	\$841.80
EVR200	2" Electric Valve	150	2"	1½"	1	\$841.80

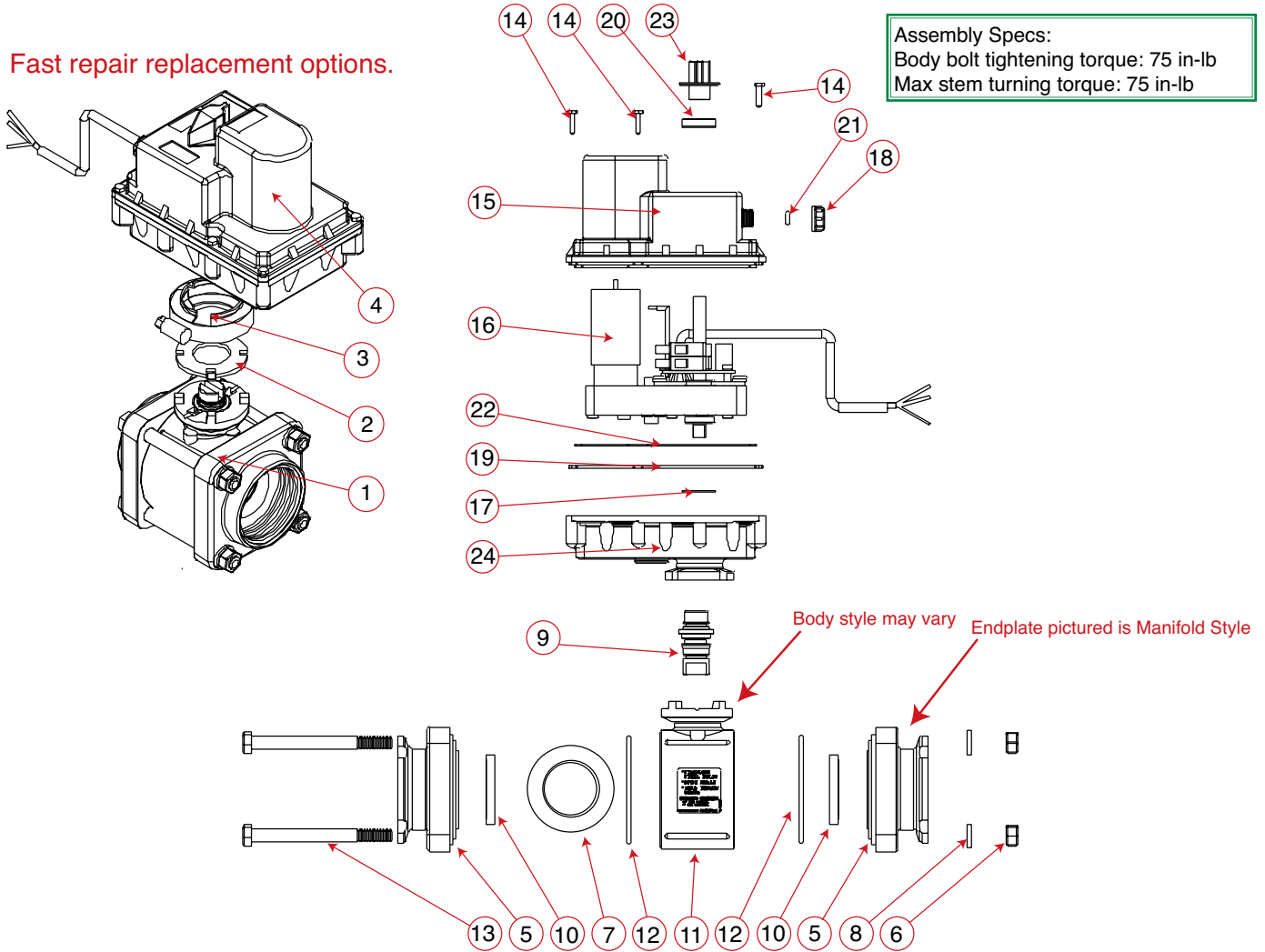
Regulating Wiring Diagram



Note: 2 wire regulating and other response times available. Contact our Sales Team for part number and availability of valves.



Fast repair replacement options.



ELECTRIC VALVES

REPLACEMENT PARTS EV150-EV200-EVR150-EVR200				
ITEM	PART NO	DESCRIPTION	QTY	PRICE
1	EV150XR1	1½" Full Port Electric Valve Sub Assembly	1	\$262.10
1	EV200XR1	2" Electric Valve Sub Assembly	1	\$262.10
2	MVE004	Electric Valve Flange Gasket	1	\$0.42
3	FC100	1" Flange Clamp	1	\$10.30
4	EV4100	1¼ Second 3 Wire Motor Assembly	1	\$434.79
4	EVR4100	Regulating 4 Wire, 4 Second	1	\$326.09
4	EVR4102	Regulating 2 Wire, 6 Second	1	\$326.09
5	VE20257A	1½" Threaded End Plate	2	\$13.56
5	VE20256A	2" Threaded End Plate	2	\$13.56
6	V20019	¾" 16 SS Hex Nut	4	\$1.07
7	VE20255SSH	2" 316 SS Hollow Ball	1	\$54.66
8	V20018	¾" SS Lock Washer	4	\$0.44
9	MEV10151	1" SS Stem w/Seals	1	\$63.75
10	VE20258A	1½" & 2" Electric Ball Seat	2	\$10.85
11	MEV20254A	1½" & 2" Body	1	\$17.91
12	VE20264	2" FKM (viton type) Body O-Ring	2	\$6.27

REPLACEMENT PARTS EV150-EV200-EVR150-EVR200				
ITEM	PART NO	DESCRIPTION	QTY	PRICE
13	V20017	¾" x 4" SS Body Bolt	4	\$1.79
14	VE15220	Housing Screw	6	\$0.30
15	MEV25102A	Housing Top for Large Motor	1	\$41.94
16	VE4987	1¼ Second Hi Torque On/Off Motor	1	\$411.88
16	VE4988	4 Second 12 Volt Wire Regulating Motor	1	\$399.86
17	MVE107	Motor Shaft Gasket	1	\$0.42
18	MVE002	Heyco ¼" Threaded Bushing	1	\$0.86
19	MVE104	Outer Housing Gasket	1	\$3.14
20	VE109E	Indicator Seal	1	\$4.76
21	MVE007	3mm x 5mm FKM (viton type) O-Ring	1	\$1.07
22	MVE106	Inner Housing Gasket	1	\$2.77
23	VE107B	Flow Indicator	1	\$7.49
24	MEV25101	Housing Bottom for Large Motor	1	\$57.66
25	EV20210	Repair Kit (Includes items 2, 9, 10, 12)	1	\$89.89

Electric Valves 2" Full Port Threaded

FEATURES

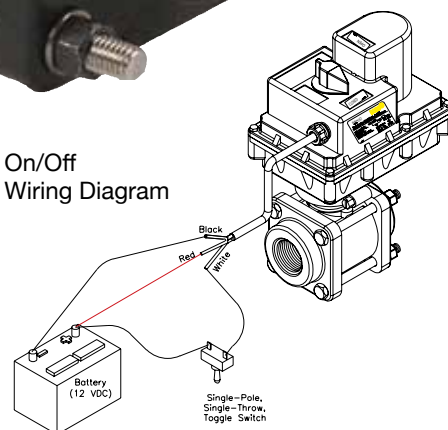
- 316 stainless steel ball & stem.
- Stainless steel hardware.
- Fiberglass reinforced polypropylene.
- Glass reinforced PTFE seats.
- FKM (viton type) or EPDM O-rings.
- 12-volt DC operated.
- 24-volt available in most models.
- 150 P.S.I. maximum pressure @ 70°F.
- Easily repairable.
- Open/closed indicator.



ON/OFF Electric Valves - 1/4 Second Response Time

2" FULL PORT ON/OFF ELECTRIC VALVES						
PART NO	DESCRIPTION	MAX PSI	PIPE SIZE	OPENING THRU BALL	QTY	PRICE
EV204FP	2" Full Port Electric Valve	150	2"	2"	1	\$747.39

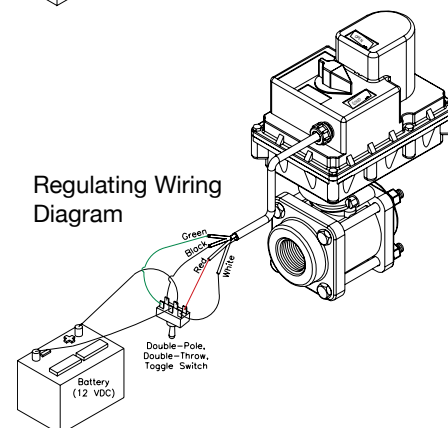
On/Off
Wiring Diagram



REGULATING Electric Valves - 4 Second Response Time

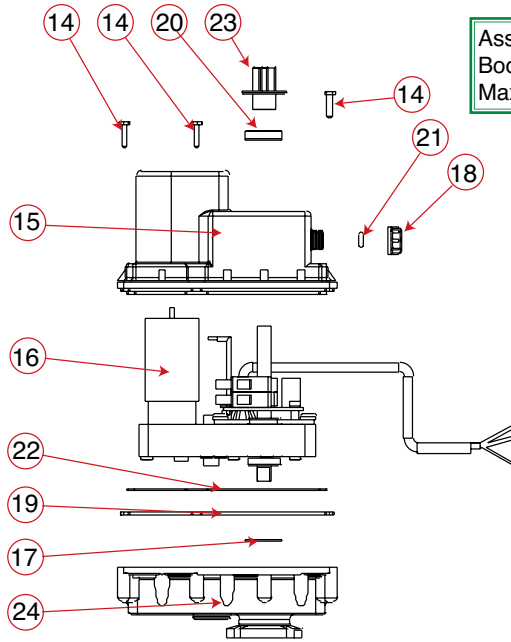
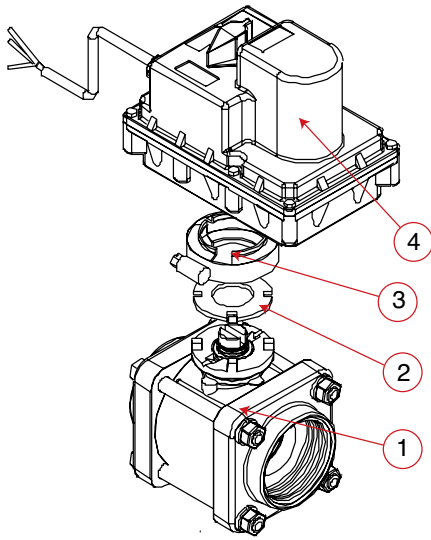
2" FULL PORT REGULATING ELECTRIC VALVES						
PART NO	DESCRIPTION	MAX PSI	PIPE SIZE	OPENING THRU BALL	QTY	PRICE
EVR204FP	2" Full Port Electric Valve	150	2"	2"	1	\$888.99

Regulating
Wiring Diagram

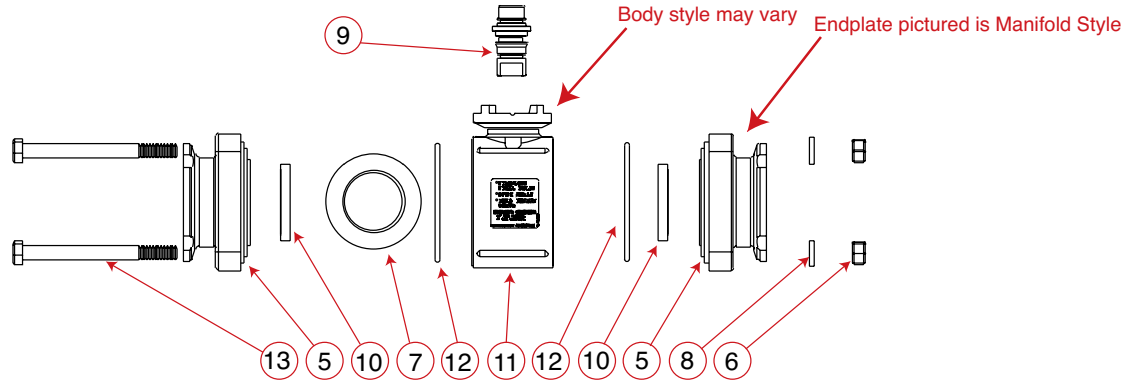


**Note: 2 wire regulating and other response times available.
Contact our Sales Team for part number and availability of valves.**

Fast repair replacement options.



Assembly Specs:
 Body bolt tightening torque: 75 in-lb
 Max stem turning torque: 75 in-lb



ELECTRIC VALVES

REPLACEMENT PARTS EV204FP-EVR204FP				
ITEM	PART NO	DESCRIPTION	QTY	PRICE
1	EV204XR1	2" Full Port Electric Valve Sub Assembly	1	\$319.74
2	MVE004	Electric Valve Flange Gasket	1	\$0.42
3	FC100	1" Flange Clamp	1	\$10.30
4	EV4100	1 1/4 Second 3 Wire Motor Assembly	1	\$434.79
4	EVR4100	Regulating 4 Wire, 4 Second	1	\$326.09
4	EVR4102	Regulating 2 Wire, 6 Second	1	\$326.09
5	VE25356A	2" Full Port Threaded End Plate	2	\$19.92
6	V20019	3/8" 16 SS Hex Nut	4	\$1.07
7	VE25255SSH	2" 316 SS Hollow Ball	1	\$55.26
8	V20018	3/8" SS Lock Washer	4	\$0.44
9	MEV25151	1" SS Stem w/Seals	1	\$70.94
10	VE25258A	2" Full Port Electric Ball Seat	2	\$10.85
11	MEV25254A	2" Full Port Body	1	\$21.05
12	V25264	2" FKM (viton type) Body O-Ring	2	\$10.21

REPLACEMENT PARTS EV204FP-EVR204FP				
ITEM	PART NO	DESCRIPTION	QTY	PRICE
13	V25017	3/8" x 4" SS Body Bolt	4	\$2.46
14	VE15220	Housing Screw	6	\$0.30
15	MEV25102A	Housing Top for Large Motor	1	\$41.94
16	VE4987	1 1/4 Second Hi Torque On/Off Motor	1	\$411.88
16	VE4988	4 Second 12 Volt Wire Regulating Motor	1	\$399.86
17	MVE107	Motor Shaft Gasket	1	\$0.42
18	MVE002	Heyco 1/4" Threaded Bushing	1	\$0.86
19	MVE104	Outer Housing Gasket	1	\$3.14
20	VE109E	Indicator Seal	1	\$4.76
21	MVE007	3mm x 5mm FKM (viton type) O-Ring	1	\$1.07
22	MVE106	Inner Housing Gasket	1	\$2.77
23	VE107B	Flow Indicator	1	\$7.49
24	MEV25101	Housing Bottom for Large Motor	1	\$57.66
25	EV25210	Repair Kit (Includes items 2, 9, 10, 12)	1	\$102.54

Electric Valves 3" Full Port Threaded

FEATURES

- Stainless steel hardware.
- Fiberglass reinforced polypropylene.
- Glass reinforced PTFE seats.
- FKM (viton type) or EPDM O-rings.
- 12-volt DC operated.
- 100 P.S.I. maximum pressure @ 70°F.

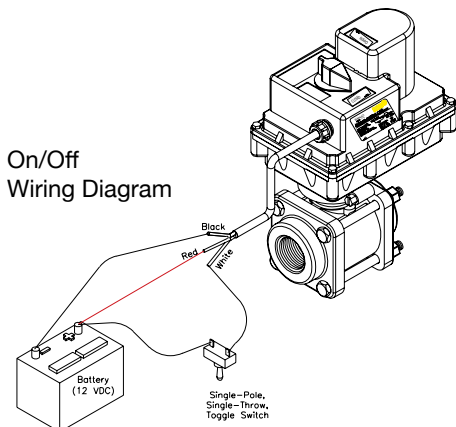


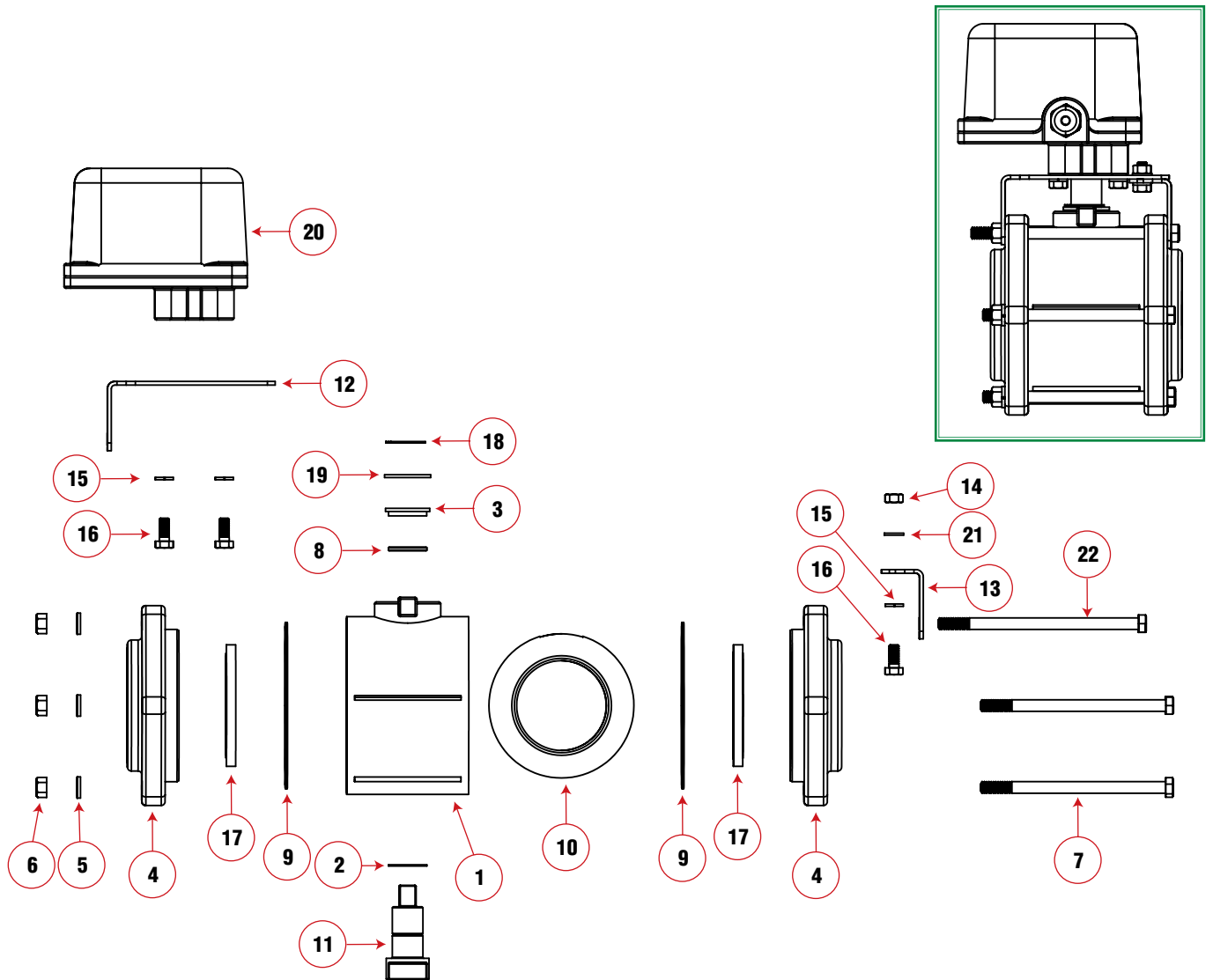
ON/OFF Electric Valves - 3 Second Response Time 3 Wire

3" FULL PORT ON/OFF ELECTRIC VALVES						
PART NO	DESCRIPTION	MAX PSI	PIPE SIZE	OPENING THRU BALL	QTY	PRICE
EV300FP	3" Full Port Electric Valve	100	3"	3"	1	\$2,038.00

Note: 4 wire regulating & 110 Volt AC, 9 Seconds response times available. Contact our sales team for part number and availability of valves.

On/Off
Wiring Diagram





ELECTRIC VALVES

REPLACEMENT PARTS EV300FP				
ITEM	PART NO	DESCRIPTION	QTY	PRICE
1	V35254	3" Body	1	\$35.03
2	V25060	Stem Shim	1	\$2.19
3	V25160	Upper Stem Bushing	1	\$4.32
4	V35264	3" Threaded End Plate	2	\$49.87
5	V20018	3/8" SS Lock Washer	6	\$0.44
6	V20019	3/8" 16 SS Hex Nut	6	\$1.07
7	V35017	3/8" SS Bolt	4	\$5.07
8	V25163	Stem O-Ring	1	\$3.75
9	V35265	3" FKM (viton type) Body O-Ring	2	\$14.32
10	V35255A	3" Electric Ball	1	\$38.30
11	VE30151SS	SS Stem w/Out Seals	1	\$61.15

REPLACEMENT PARTS EV300FP				
ITEM	PART NO	DESCRIPTION	QTY	PRICE
12	VE35188	Actuator Bracket-Large	1	\$108.89
13	VE35189	Actuator Bracket-Small	1	\$94.33
14	V10119	5/16" Hex Nut	2	\$0.58
15	V10118	5/16" Lock Washer	6	\$0.44
16	17019	Hex Bolt	6	\$1.21
17	VE35258A	Ball Seat	2	\$21.33
18	VE30022	1" Snap Ring	1	\$7.86
19	VE30121	Stem Washer	1	\$7.27
20	VE5630	3 Sec, 12VDC Motor	1	\$838.49
21	12901	Washer	2	\$0.46
22	V35018	3/8" SS Bolt	2	\$10.40

3-Way Electric Valves

3/4," 1," 1 1/4" Threaded w/Flanged Inlet

FEATURES

- 316 stainless steel ball & stem.
- Stainless steel hardware.
- Fiberglass reinforced polypropylene.
- Glass reinforced PTFE seats.
- FKM (viton type) or EPDM O-rings.
- 24-volt available in most models.
- 12-volt DC operated.
- 150 P.S.I. maximum pressure @ 70°F.
- Easily repairable.
- Open/closed indicator.

Don't forget the manifold connections for inlets on pages 81-85.



Attention:
3-Way regulating valves are not shown, but are available.
Standard 3-Way valves use the On/Off wiring diagram.



BOTTOM LOAD



SIDE LOAD

3/4 Second Response Time

3/4"-1 1/4" BOTTOM LOAD ELECTRIC VALVES

PART NO	DESCRIPTION	MAX PSI	PIPE SIZE	OPENING THRU BALL	QTY	PRICE
EV075BL	3/4" Full Port Electric Valve	150	3/4"	1"	1	\$542.83
EV100BL	1" Electric Valve	150	1"	1"	1	\$542.83
EV125BL	1 1/4" Electric Valve	150	1 1/4"	1"	1	\$542.83

BOTTOM LOAD:

Directional flow right or left.
Valve flow cannot be turned off.

3/4 Second Response Time

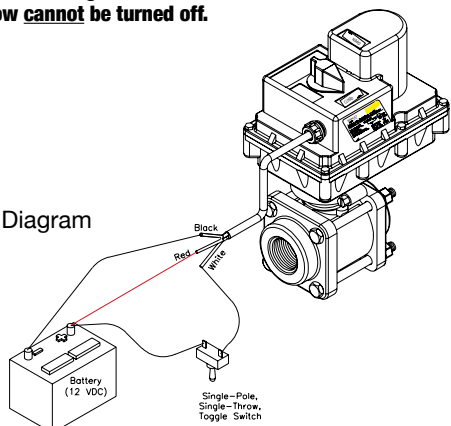
3/4"-1 1/4" SIDE LOAD ELECTRIC VALVES

PART NO	DESCRIPTION	MAX PSI	PIPE SIZE	OPENING THRU BALL	QTY	PRICE
EV075SL	3/4" Full Port Electric Valve	150	3/4"	1"	1	\$542.83
EV100SL	1" Electric Valve	150	1"	1"	1	\$542.83
EV125SL	1 1/4" Electric Valve	150	1 1/4"	1"	1	\$542.83

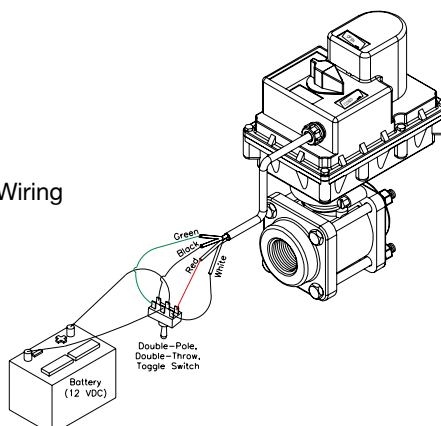
SIDE LOAD:

Directional flow right or left.
Valve flow cannot be turned off.

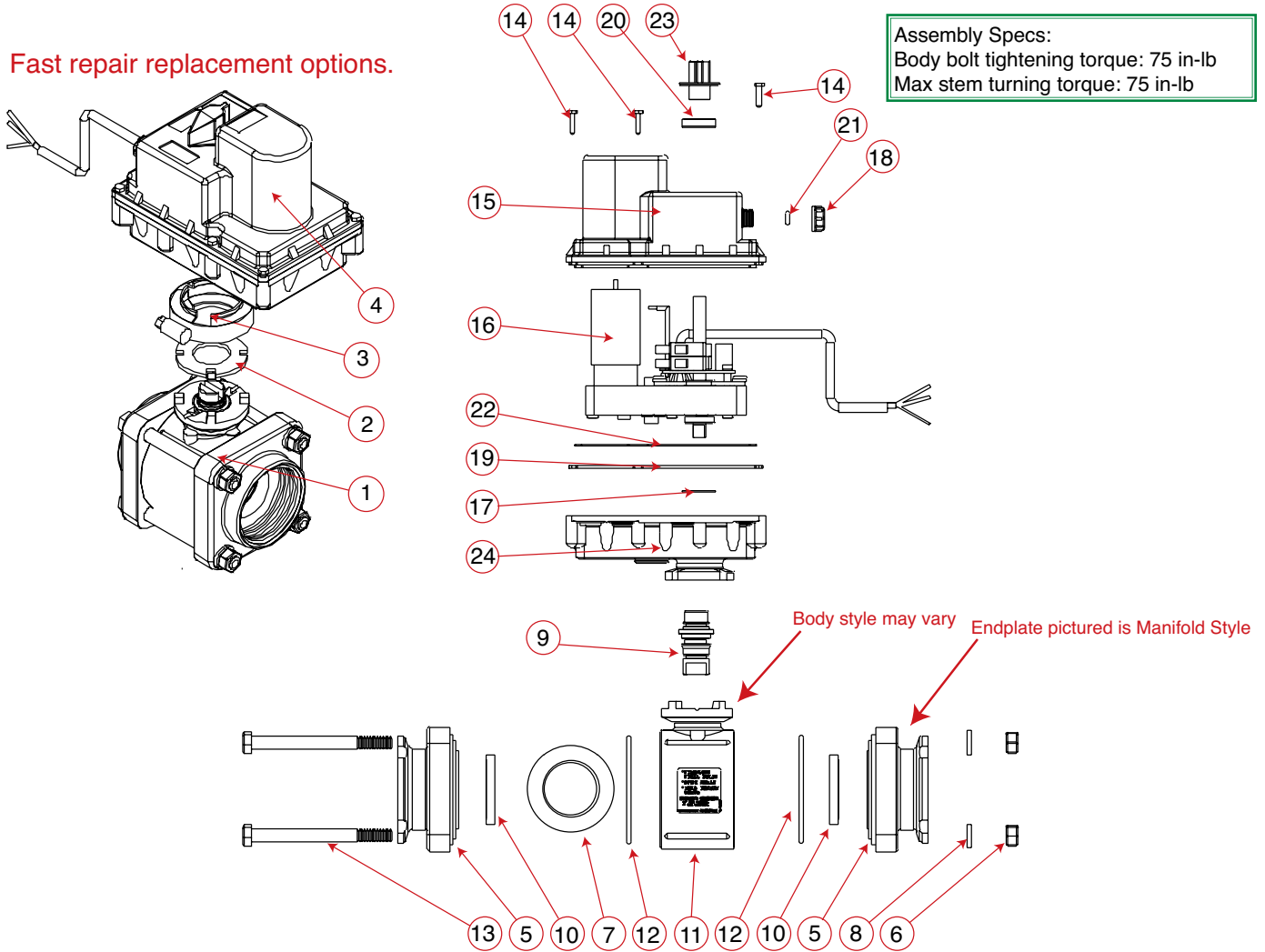
On/Off Wiring Diagram



Regulating Wiring Diagram



Fast repair replacement options.



ELECTRIC VALVES

REPLACEMENT PARTS EV075SL-EV075BL-EV100SL-EV100BL-EV125SL-EV125BL				
ITEM	PART NO	DESCRIPTION	QTY	PRICE
1	EV075SLXR1	3/4" Electric Valve Sub Assembly	1	\$202.18
1	EV100SLXR1	1" Electric Valve Sub Assembly	1	\$202.18
1	EV125SLXR1	1 1/4" Electric Valve Sub Assembly	1	\$202.18
1	EV075BLXR1	3/4" Electric Valve Sub Assembly	1	\$202.18
1	EV100BLXR1	1" Electric Valve Sub Assembly	1	\$202.18
1	EV125BLXR1	1 1/4" Electric Valve Sub Assembly	1	\$202.18
2	MVE004	Electric Valve Flange Gasket	1	\$0.42
3	FC100	1" Flange Clamp	1	\$10.30
4	EV3100	3/4 Second 3 Wire Motor Assembly	1	\$317.51
4	EVR3100	Regulating 4 Wire, 4 Second	1	\$317.51
5	VE07357A	3/4" Threaded End Plate	2	\$22.47
5	VE10257A	1" Threaded End Plate	2	\$15.06
5	VE10256A	1 1/4" Threaded End Plate	2	\$15.06
6	V10119	5/16" SS Body Nut	4	\$0.58
7	VE10355	1" 316 SS Hollow Ball	1	\$91.37
8	V10118	5/16" SS Lock Washer	4	\$0.44
9	MEV10151	1" SS Stem w/Seals	1	\$63.75
10	VE10258A	1" Electric Ball Seat	2	\$10.33

REPLACEMENT PARTS EV075SL-EV075BL-EV100SL-EV100BL-EV125SL-EV125BL				
ITEM	PART NO	DESCRIPTION	QTY	PRICE
11	MEV10354AB	3/4"-1 1/4" Bottom Load Body	1	\$20.24
11	MEV10354AS	3/4"-1 1/4" Side Load Body	1	\$20.24
12	VE10264	FKM (viton type) Body O-Ring	2	\$6.29
13	V10117	5/16" x 3 1/2" SS Body Bolt	4	\$1.44
14	VE15220	Housing Screw	6	\$0.30
15	MEV10102A	Housing Top for Small Motor	1	\$41.94
16	VE4984	3/4 Second 3 Wire On/Off Motor	1	\$337.00
17	MVE105	Motor Shaft Gasket	1	\$0.42
18	MVE002	Heyco 1/4" Threaded Bushing	1	\$0.86
19	MVE104	Outer Housing Gasket	1	\$3.14
20	VE109E	Indicator Seal	1	\$4.76
21	MVE007	3mm x 5mm FKM (viton type) O-Ring	1	\$1.07
22	MVE106	Inner Housing Gasket	1	\$2.77
23	VE107B	Flow Indicator	1	\$7.49
24	MEV10101	Housing Bottom for Small Motor	1	\$57.66
25	EV10210	Repair Kit (Includes items 2, 9, 10, 12)	1	\$80.05

3-Way Electric Valves 1½", 2" Threaded w/Flanged Inlet

FEATURES

- 316 stainless steel ball & stem.
- Stainless steel hardware.
- Fiberglass reinforced polypropylene.
- Glass reinforced PTFE seats.
- FKM (viton type) or EPDM O-rings.
- 12-volt DC operated.
- 24-volt available in most models.
- 150 P.S.I. maximum pressure @ 70°F.
- Easily repairable.
- Open/closed indicator.

Don't forget the manifold connections for inlets on pages 81-85.



Attention:
3-Way regulating valves are not shown, but are available.
Standard 3-Way valves use the On/Off wiring diagram.



BOTTOM LOAD



SIDE LOAD

1¼ SECOND RESPONSE TIME

1½"-2" BOTTOM LOAD ELECTRIC VALVES

PART NO	DESCRIPTION	MAX PSI	PIPE SIZE	OPENING THRU BALL	QTY	PRICE
EV150BL	1½" Electric Valve	150	1½"	1½"	1	\$783.58
EV200BL	2" Electric Valve	150	2"	1½"	1	\$783.58

BOTTOM LOAD:

Directional flow right or left.
Valve flow cannot be turned off.

1¼ SECOND RESPONSE TIME

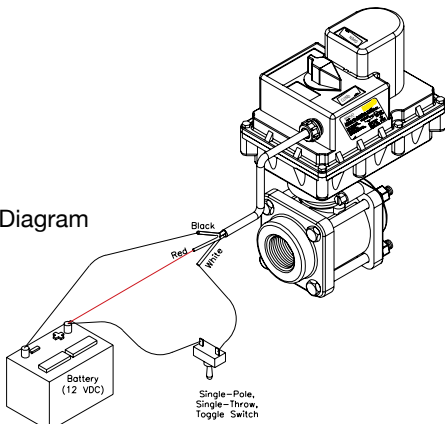
1½"-2" SIDE LOAD ELECTRIC VALVES

PART NO	DESCRIPTION	MAX PSI	PIPE SIZE	OPENING THRU BALL	QTY	PRICE
EV150SL	1½" Electric Valve	150	1½"	1½"	1	\$783.58
EV200SL	2" Electric Valve	150	2"	1½"	1	\$783.58

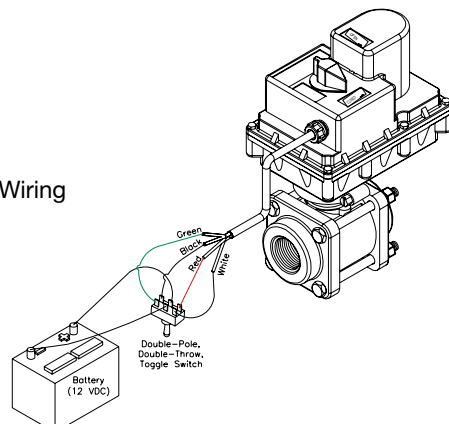
SIDE LOAD:

Directional flow right or left.
Valve flow cannot be turned off.

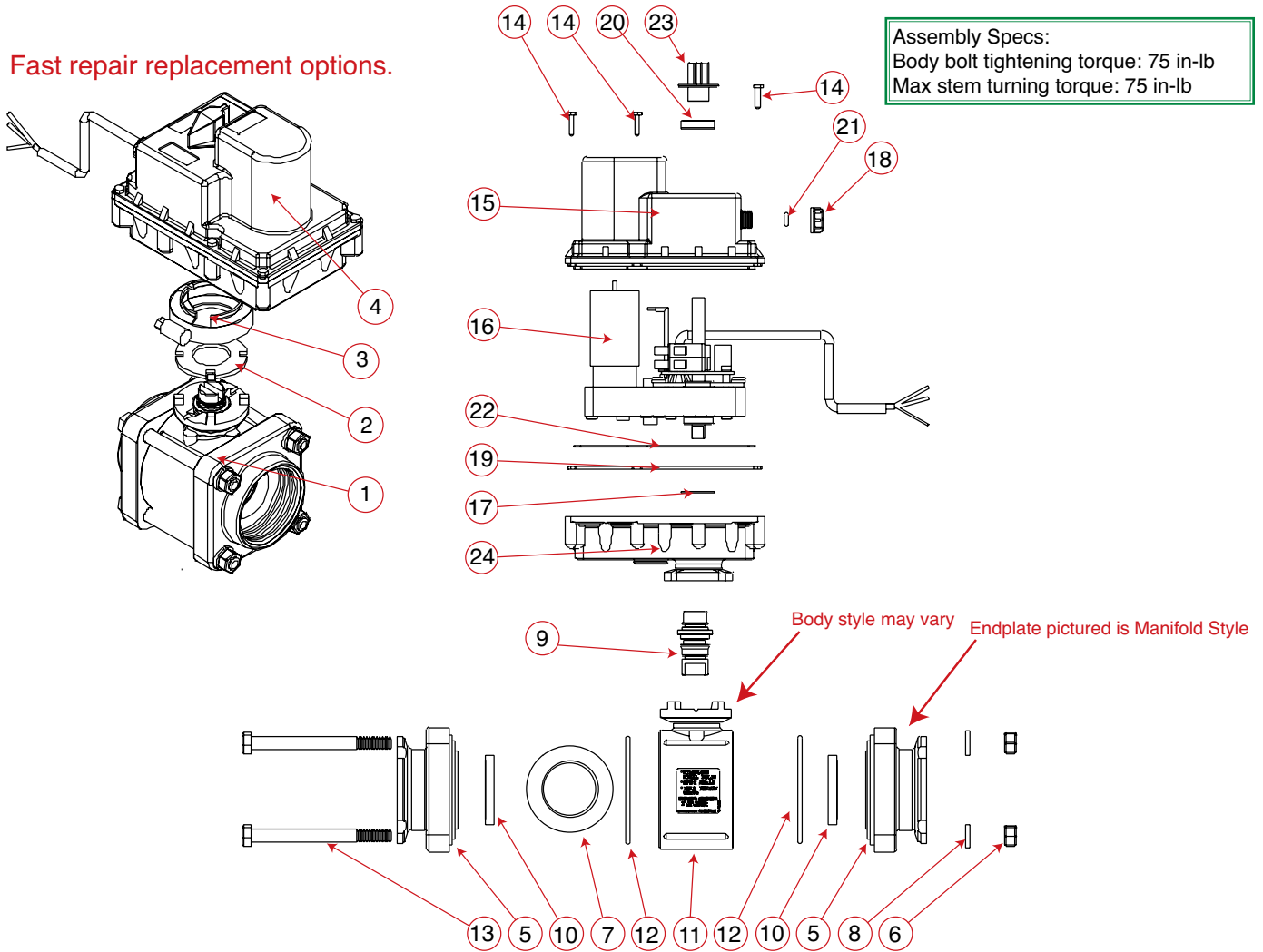
On/Off
Wiring Diagram



Regulating
Wiring Diagram



Fast repair replacement options.



ELECTRIC VALVES

REPLACEMENT PARTS EV150SL-EV150BL-EV200SL-EV200BL				
ITEM	PART NO	DESCRIPTION	QTY	PRICE
1	EV150SLXR1	1½" Electric Valve Sub Assembly	1	\$336.18
1	EV200SLXR1	2" Electric Valve Sub Assembly	1	\$336.18
1	EV150BLXR1	1½" Electric Valve Sub Assembly	1	\$336.18
1	EV200BLXR1	2" Electric Valve Sub Assembly	1	\$336.18
2	MVE004	Electric Valve Flange Gasket	1	\$0.42
3	FC100	1" Flange Clamp	1	\$10.30
4	EV4100	1¼ Second 3 Wire Motor Assembly	1	\$434.79
4	EVR4100	Regulating 4 Wire, 4 Second	1	\$326.09
5	VE20257A	1½" Threaded End Plate	2	\$13.56
5	VE20256A	2" Threaded End Plate	2	\$13.56
6	V20019	¾" 16 SS Hex Nut	4	\$1.07
7	VE20355	2" 316 SS Hollow Ball	1	\$109.33
8	V20018	¾" SS Lock Washer	4	\$0.44
9	MEV10151	1" SS Stem w/Seals	1	\$63.75
10	VE20258A	1½" & 2" Electric Ball Seat	2	\$10.85
11	MEV20354AB	1½" & 2" Bottom Load Body	1	\$20.88
11	MEV20354AS	1½" & 2" Side Load Body	1	\$20.88

REPLACEMENT PARTS EV150SL-EV150BL-EV200SL-EV200BL				
ITEM	PART NO	DESCRIPTION	QTY	PRICE
12	VE20264	2" FKM (viton type) Body O-Ring	2	\$6.27
13	V20017	¾" x 4" SS Body Bolt	4	\$1.79
14	VE15220	Housing Screw	6	\$0.30
15	MEV25102A	Housing Top for Large Motor	1	\$41.94
16	VE4987	1¼" High Torque On/Off Motor	1	\$411.88
17	MVE107	Motor Shaft Gasket	1	\$0.42
18	MVE002	Heyco ¼" Threaded Bushing	1	\$0.86
19	MVE104	Outer Housing Gasket	1	\$3.14
20	VE109E	Indicator Seal	1	\$4.76
21	MVE007	3mm x 5mm FKM (viton type) O-Ring	1	\$1.07
22	MVE106	Inner Housing Gasket	1	\$2.77
23	VE107B	Flow Indicator	1	\$7.49
24	MEV25101	Housing Bottom for Large Motor	1	\$57.66
25	EV20210	Repair Kit (Includes items 2, 9, 10, 12)	1	\$89.89

3-Way Electric Valves

2" Full Port Threaded w/Flanged Inlet

FEATURES

- 316 stainless steel ball & stem.
- Stainless steel hardware.
- Fiberglass reinforced polypropylene.
- Glass reinforced PTFE seats.
- FKM (viton type) or EPDM O-rings.
- 12-volt DC operated.
- 24-volt available in most models.
- 150 P.S.I. maximum pressure @ 70°F.
- Easily repairable.
- Open/closed indicator.

Don't forget the manifold connections for inlets on pages 81-85.



Attention:
3-Way regulating valves are not shown, but are available.
Standard 3-Way valves use the On/Off wiring diagram.



BOTTOM LOAD



SIDE LOAD

1 1/4 SECOND RESPONSE TIME

2" FULL PORT BOTTOM LOAD ELECTRIC VALVES

PART NO	DESCRIPTION	MAX PSI	PIPE SIZE	OPENING THRU BALL	QTY	PRICE
EV204BLFP	2" Full Port Electric Valve	150	2"	2"	1	\$841.80

BOTTOM LOAD:

Directional flow right or left.
Valve flow **cannot** be turned off.

1 1/4 SECOND RESPONSE TIME

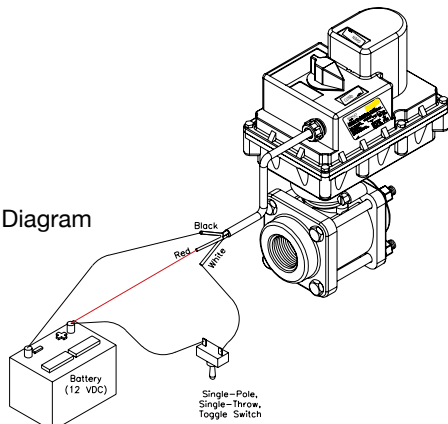
2" FULL PORT SIDE LOAD ELECTRIC VALVES

PART NO	DESCRIPTION	MAX PSI	PIPE SIZE	OPENING THRU BALL	QTY	PRICE
EV204SLFP	2" Full Port Electric Valve	150	2"	2"	1	\$841.80

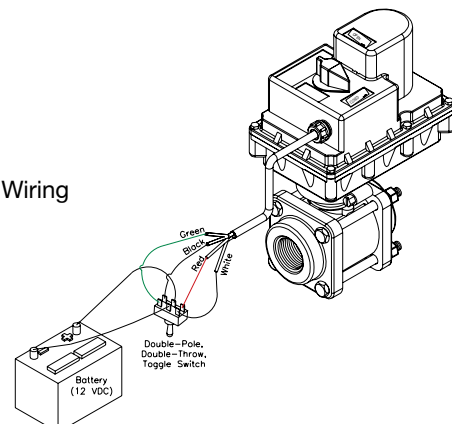
SIDE LOAD:

Directional flow right or left.
Valve flow **cannot** be turned off.

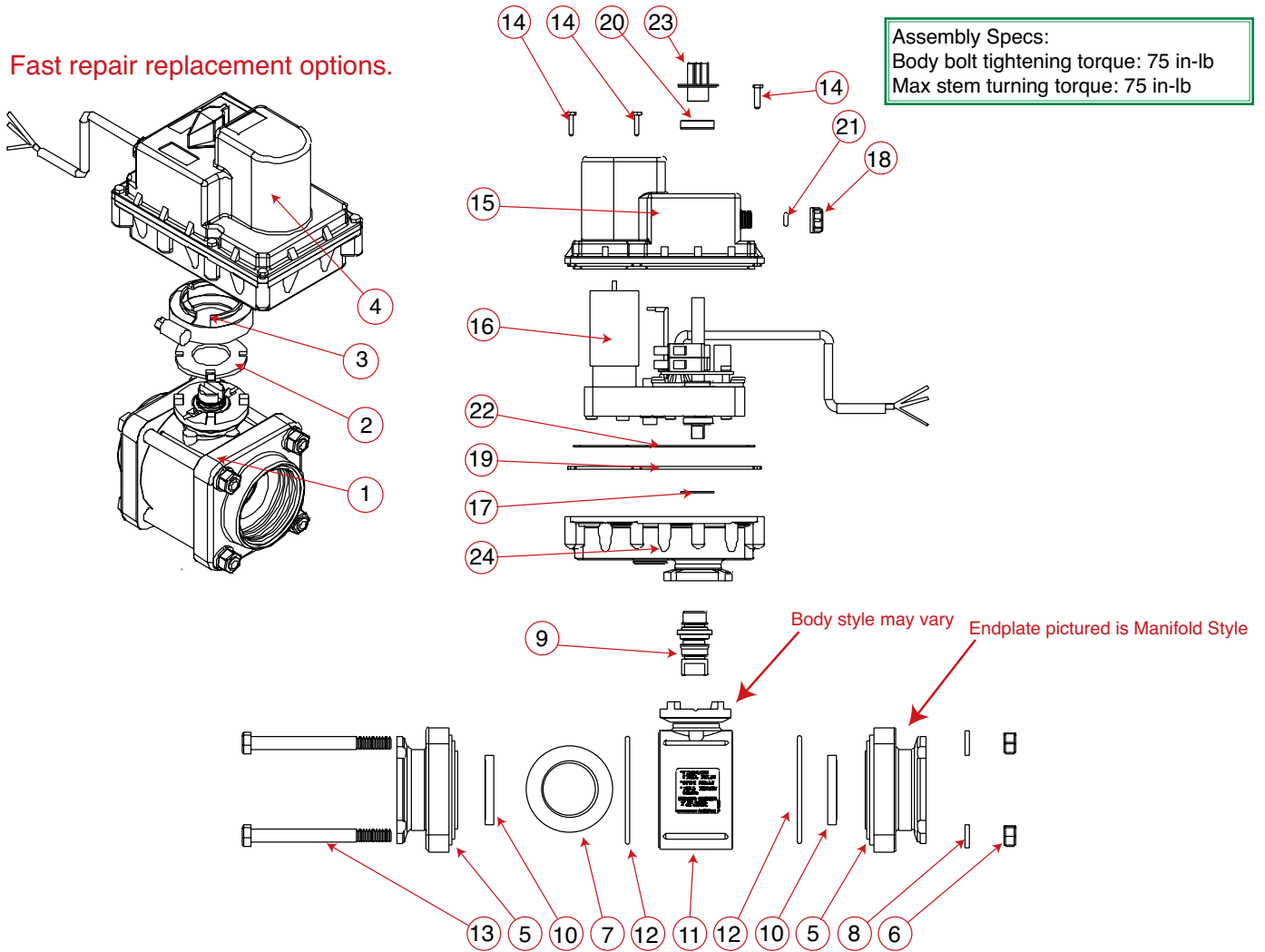
On/Off Wiring Diagram



Regulating Wiring Diagram



Fast repair replacement options.



ELECTRIC VALVES

REPLACEMENT PARTS EV204SLFP-EV204BLFP				
ITEM	PART NO	DESCRIPTION	QTY	PRICE
1	EV204SLXR1	2" Full Port Electric Valve Sub Assembly	1	\$403.30
1	EV204BLXR1	2" Full Port Electric Valve Sub Assembly	1	\$403.30
2	MVE004	Electric Valve Flange Gasket	1	\$0.42
3	FC100	1" Flange Clamp	1	\$10.30
4	EV4100	1¼ Second 3 Wire Motor Assembly	1	\$434.79
4	EVR4100	Regulating 4 Wire, 4 Second	1	\$326.09
5	VE25356A	2" Full Port Threaded End Plate	2	\$19.92
6	V20019	3/8" 16 SS Hex Nut	4	\$1.07
7	VE25355	2" 316 SS Hollow Ball	1	\$145.29
8	V20018	3/8" SS Lock Washer	4	\$0.44
9	MEV25151	1" SS Stem w/Seals	1	\$70.94
10	VE25258A	2" Full Port Electric Ball Seat	2	\$10.85
11	MEV25354AB	2" Full Port Bottom Load Body	1	\$22.19
11	MEV25354AS	2" Full Port Side Load Body	1	\$22.19
12	V25264	2" FKM (viton type) Body O-Ring	2	\$10.21

REPLACEMENT PARTS EV204SLFP-EV204BLFP				
ITEM	PART NO	DESCRIPTION	QTY	PRICE
13	V25017	3/8" x 4½" SS Body Bolt	4	\$2.46
14	VE15220	Housing Screw	6	\$0.30
15	MEV25102A	Housing Top for Large Motor	1	\$41.94
16	VE4987	1¼" High Torque On/Off Motor	1	\$411.88
17	MVE107	Motor Shaft Gasket	1	\$0.42
18	MVE002	Heyco ¼" Threaded Bushing	1	\$0.86
19	MVE104	Outer Housing Gasket	1	\$3.14
20	VE109E	Indicator Seal	1	\$4.76
21	MVE007	3mm x 5mm FKM (viton type) O-Ring	1	\$1.07
22	MVE106	Inner Housing Gasket	1	\$2.77
23	VE107B	Flow Indicator	1	\$7.49
24	MEV25101	Housing Bottom for Large Motor	1	\$57.66
25	EV25210	Repair Kit (Includes items 2, 9, 10, 12)	1	\$102.54

Manifold Flange Connections

**NO THREADS.
NO SWEAT.**



Smart. The quick-change connection allows you to replace or inspect fittings in seconds as opposed to time consuming threaded liquid handling systems.

Easy to Use. There is no pipe thread installation, no chance of cross threading, no pipe sealant and no cure time needed.

Versatile. By nature of the connection – it is easier to redesign, alleviate space constraints and add pieces to your liquid handling system.

Universal. Replaces fittings made with either traditional National Pipe Thread (NPT) or British Standard Pipe Thread (BSP) connections. So no matter what part of the world you live in, you too can use Banjo Manifold Connections.

Breadth. Banjo Manifold Connections are available in Electric Valves, 3-Way Valves, Bolted Ball Valves, Stubby Valves, Dry-Disconnects, Flow Meters, Sweeps, Line Strainers, Hose Barbs, Couplings, Fittings, Swivels, Tank Fittings and Pumps.



Original System



Updated System



1" Banjo Electric Manifold Valve Assemblies

2 Valve Manifold



3 Valve Manifold



2 VALVE MANIFOLD ASSEMBLY (M200 SERIES)					
PART NO	DESCRIPTION	MAX PSI	PIPE SIZE	QTY	PRICE
MEV102CF	1" Manifold Valve Assembly 2" Inlet Flanges, 1" Outlet Flanges	150	2" In 1" Out	1	\$1,007.01

3 VALVE MANIFOLD ASSEMBLY (M200 SERIES)					
PART NO	DESCRIPTION	MAX PSI	PIPE SIZE	QTY	PRICE
MEV103CF	1" Manifold Valve Assembly 2" Inlet Flanges, 1" Outlet Flanges	150	2" In 1" Out	1	\$1,486.92



3 VALVE MANIFOLD ASSEMBLY (M200 SERIES) W/ MOUNTING BRACKETS					
PART NO	DESCRIPTION	MAX PSI	PIPE SIZE	QTY	PRICE
MEV103MB	1" Manifold Valve Assembly 2" Inlet Flanges, 1" Outlet Flanges w/ Mounting Brackets	150	2" In 1" Out	1	\$1,528.18

FLANGED MOUNTING BRACKET TEE					
PART NO	DESCRIPTION	MAX PSI	PIPE SIZE	QTY	PRICE
M200100TEEB	2" x 1" Standard Port Flanged Tee w/ Mounting Bracket	150	2" In 1" Out	1	\$19.19

4 Valve Manifold



5 Valve Manifold



4 VALVE MANIFOLD ASSEMBLY (M200 SERIES)					
PART NO	DESCRIPTION	MAX PSI	PIPE SIZE	QTY	PRICE
MEV104CF	1" Manifold Valve Assembly 2" Inlet Flanges, 1" Outlet Flanges	150	2" In 1" Out	1	\$2,009.88

5 VALVE MANIFOLD ASSEMBLY (M200 SERIES)					
PART NO	DESCRIPTION	MAX PSI	PIPE SIZE	QTY	PRICE
MEV105CF	1" Manifold Valve Assembly 2" Inlet Flanges, 1" Outlet Flanges	150	2" In 1" Out	1	\$2,533.25

1" Micro Electric Manifold Valve

FEATURES

- 12 Volt DC
- Stationary current draw: less than 0.04 amps.
- Rotating current draw: less than 0.40 amps.
- Stall current: 0.75 amps
- Response time: 1/3 sec open to close
- TFM seats
- EPDM seals
- Fiberglass reinforced polypropylene ball.
- Integrated mounting slot
- Standard 3 wire configuration.
- Max Pressure = 200 PSI @ 70 °F.

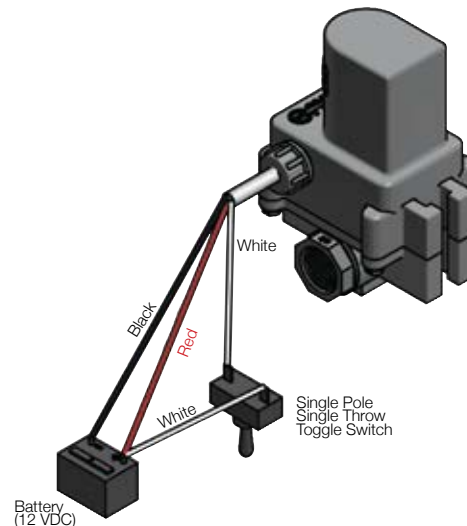


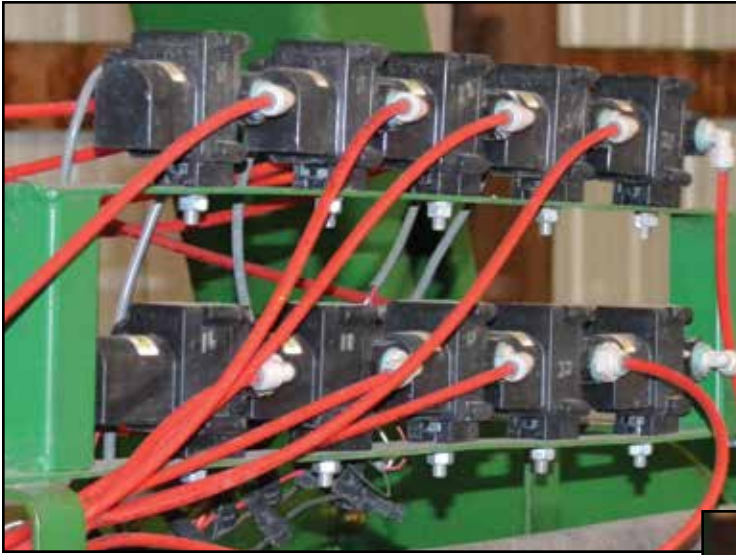
Don't forget the manifold connections on pages 81-85.



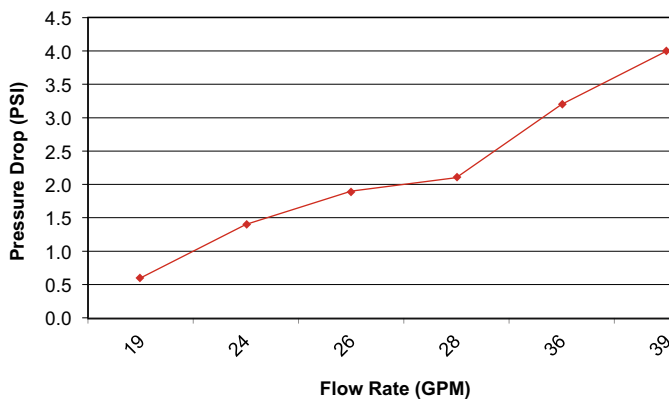
1/3 Second Response Time

1" MICRO ON/OFF ELECTRIC MANIFOLD VALVE						
PART NO	DESCRIPTION	MAX PSI	PIPE SIZE	OPENING THRU BALL	QTY	PRICE
MLEV100	1" Micro Electric Manifold Valve	200	1"	1/2"	1	\$196.10





MLEV100



1"-2" Electric Manifold Valves

FEATURES

- 1"-2" has 316 stainless steel ball & stem.
- Fiberglass reinforced polypropylene.
- Glass reinforced PTFE seats.
- FKM (viton type) or EPDM O-rings.
- 12-volt DC operated.
- 150 P.S.I. maximum pressure.
- Internally fused/automatic reset.
- Open/closed indicator.

Don't forget the manifold connections on pages 81-85.



3/4 to 1 1/4 SECOND RESPONSE TIME

1", 2" & 3" ON/OFF ELECTRIC MANIFOLD VALVES

PART NO	DESCRIPTION	MAX PSI	PIPE SIZE	OPENING THRU BALL	QTY	PRICE
MEV100CF	1" Full Port Electric Valve	150	1"	1"	1	\$483.03
MEV200CF	2" Standard Port Electric Valve	150	2"	1 1/2"	1	\$708.06
MEV220CF	2" Full Port Electric Valve	150	2"	2"	1	\$747.39

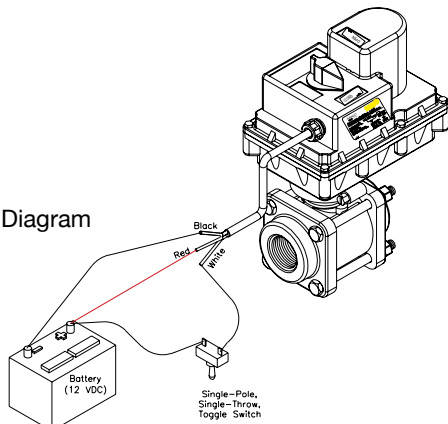
4 SECOND RESPONSE TIME

1" & 2" REGULATING ELECTRIC MANIFOLD VALVES

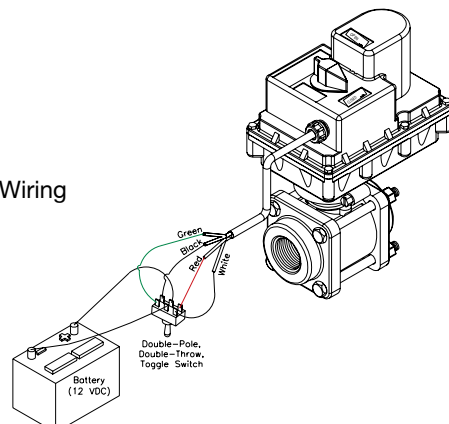
PART NO	DESCRIPTION	MAX PSI	PIPE SIZE	OPENING THRU BALL	QTY	PRICE
MEVR100CF	1" Full Port Electric Valve	150	1"	1"	1	\$668.73
MEVR200CF	2" Standard Port Electric Valve	150	2"	1 1/2"	1	\$841.80
MEVR220CF	2" Full Port Electric Valve	150	2"	2"	1	\$888.99

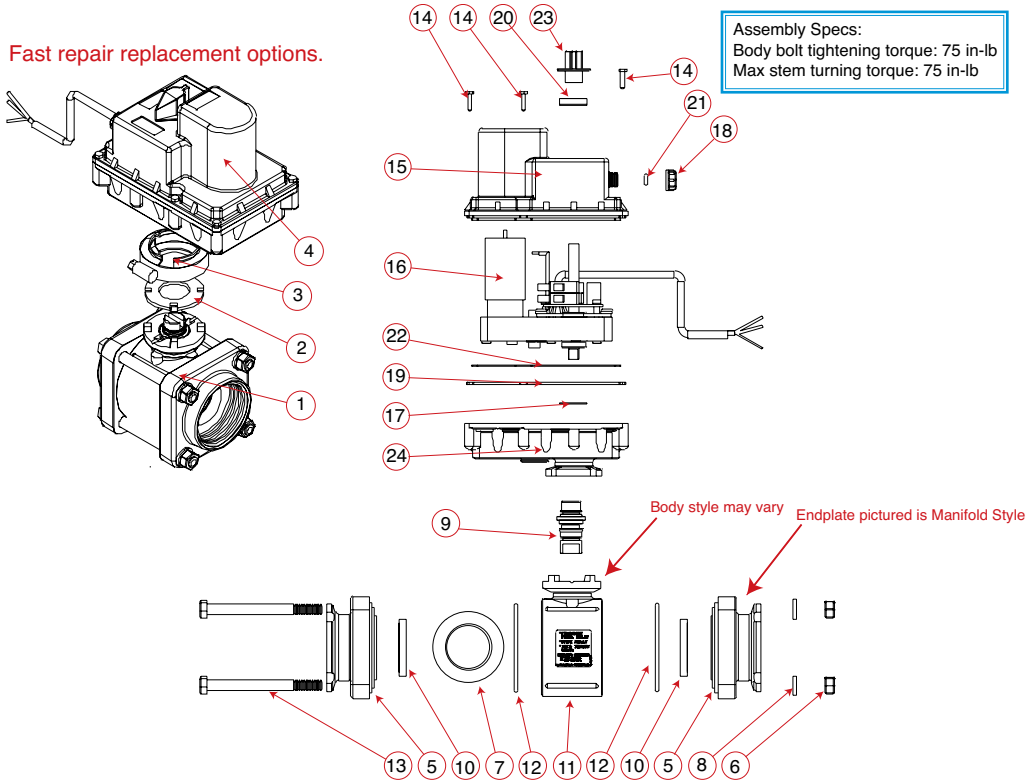
Note: 2 wire regulating and other response times available. Contact our Sales Team for part number and availability of valves.

On/Off Wiring Diagram



Regulating Wiring Diagram





REPLACEMENT PARTS				
MEV100CF-MEV200CF-MEV220CF-MEV300CF-MEVR100CF-MEVR200CF-MEVR220CF				
ITEM	PART NO	DESCRIPTION	QTY	PRICE
1	MEV100XR1	1" Full Port Electric Valve Sub Assembly	1	\$142.28
1	MEV200XR1	2" Electric Valve Sub Assembly	1	\$262.10
1	MEV220XR1	2" Full Port Electric Valve Sub Assembly	1	\$319.74
2	MVE004	Electric Valve Flange Gasket	1	\$0.42
3	FC100	1" Flange Clamp	1	\$10.30
4	EV3100	1" 3/4 Second 3 Wire Motor Assembly	1	\$317.51
4	EV4100	2" 1 1/4 Second 3 Wire Motor Assembly	1	\$434.79
4	VE5630	3" 3 Second 3 Wire Motor Assembly	1	\$838.49
4	EVR3100	Regulating 4 Wire, 4 Second for 1"	1	\$317.51
4	EVR4100	Regulating 4 Wire, 4 Second for 2"	1	\$326.09
5	VE10278A	1" Manifold End Plate	2	\$9.28
5	VE20294A	2" Manifold End Plate	2	\$13.56
5	VE25378A	2" Full Port Manifold End Plate	2	\$19.92
6	V10119	5/16" SS Body Nut	4	\$0.58
6	V20019	3/8" 16 SS Hex Nut	4	\$1.07
7	VE10155SSH	1" 316 SS Hollow Ball	1	\$28.20
7	VE20255SSH	2" 316 SS Hollow Ball	1	\$54.66
7	VE25255SSH	2" Full Port 316 SS Hollow Ball	1	\$55.26
8	V10118	5/16" SS Lock Washer	4	\$0.44
8	V20018	3/8" SS Lock Washer	4	\$0.44
9	MEV10151	1" SS Stem w/Seals	1	\$63.75
9	MEV25151	2" SS Stem w/Seals	1	\$70.94
10	VE10258A	1" Electric Ball Seat	2	\$10.33
10	VE20258A	2" Electric Ball Seat	2	\$10.85
10	VE25258A	2" Full Port Electric Ball Seat	2	\$10.85
11	MEV10254A	1" Body	1	\$14.91
11	MEV20254A	2" Body	1	\$17.91

REPLACEMENT PARTS				
MEV100CF-MEV200CF-MEV220CF-MEV300CF-MEVR100CF-MEVR200CF-MEVR220CF				
ITEM	PART NO	DESCRIPTION	QTY	PRICE
11	MEV25254A	2" Full Port Body	1	\$21.05
12	VE10264	1" FKM (viton type) Body O-Ring	2	\$6.29
12	VE20264	2" FKM (viton type) Body O-Ring	2	\$6.27
12	V25264	2" FKM (viton type) Body O-Ring	2	\$10.21
13	V10117	5/16" x 3 1/2" SS Body Bolt	4	\$1.44
13	V20017	3/8" x 4" SS Body Bolt (2")	4	\$1.79
13	V25017	3/8" x 4 1/2" SS Body Bolt (2" FP)	4	\$2.46
14	VE15220	Housing Screw	6	\$0.30
15	MEV10102A	Housing Top for Small Motor (1")	1	\$41.94
15	MEV25102A	Housing Top for Large Motor (2")	1	\$41.94
16	VE4984	3/4 Second High Torque On/Off Motor	1	\$337.00
16	VE4987	1 1/4 Second High Torque On/Off Motor	1	\$411.88
16	VE4983	4 Second 4 Wire Regulating Motor for 1"	1	\$411.88
16	VE4988	4 Second 12 Volt Wire Regulating Motor 2"	1	\$399.86
17	MVE107	Motor Shaft Gasket	1	\$0.42
18	MVE002	Heyco 1/4" Threaded Bushing	1	\$0.86
19	MVE104	Outer Housing Gasket	1	\$3.14
20	VE109E	Indicator Seal	1	\$4.76
21	MVE007	3mm x 5mm FKM (viton type) O-Ring	1	\$1.07
22	MVE106	Inner Housing Gasket	1	\$2.77
23	VE107B	Flow Indicator	1	\$7.49
24	MEV10101	1" Housing Bottom for Large Motor	1	\$57.66
24	MEV25101	2" Housing Bottom for Large Motor	1	\$57.66
25	EV10210	1" Repair Kit (Includes items 2, 9, 10, 12)	1	\$80.05
25	EV20210	2" Repair Kit (Includes items 2, 9, 10, 12)	1	\$89.89
25	EV25210	2" FP Repair Kit (Includes items 2,9,10,12)	1	\$102.54

3" Electric Manifold Valves

FEATURES

- 3" has poly ball & stainless steel stem.
- Fiberglass reinforced polypropylene.
- Glass reinforced PTFE seats.
- FKM (viton type) or EPDM O-rings.
- 12-volt DC operated.
- 150 P.S.I. maximum pressure.
- Internally fused/automatic reset.
- Open/closed indicator.

Don't forget the manifold connections on pages 81-85.

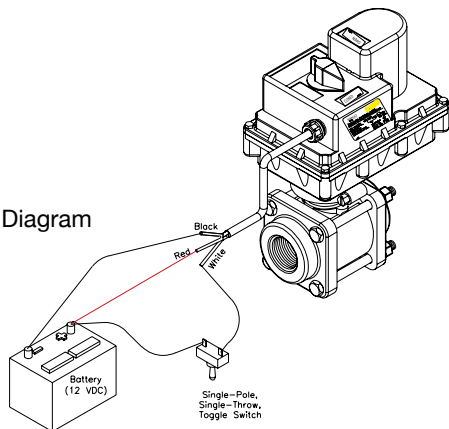


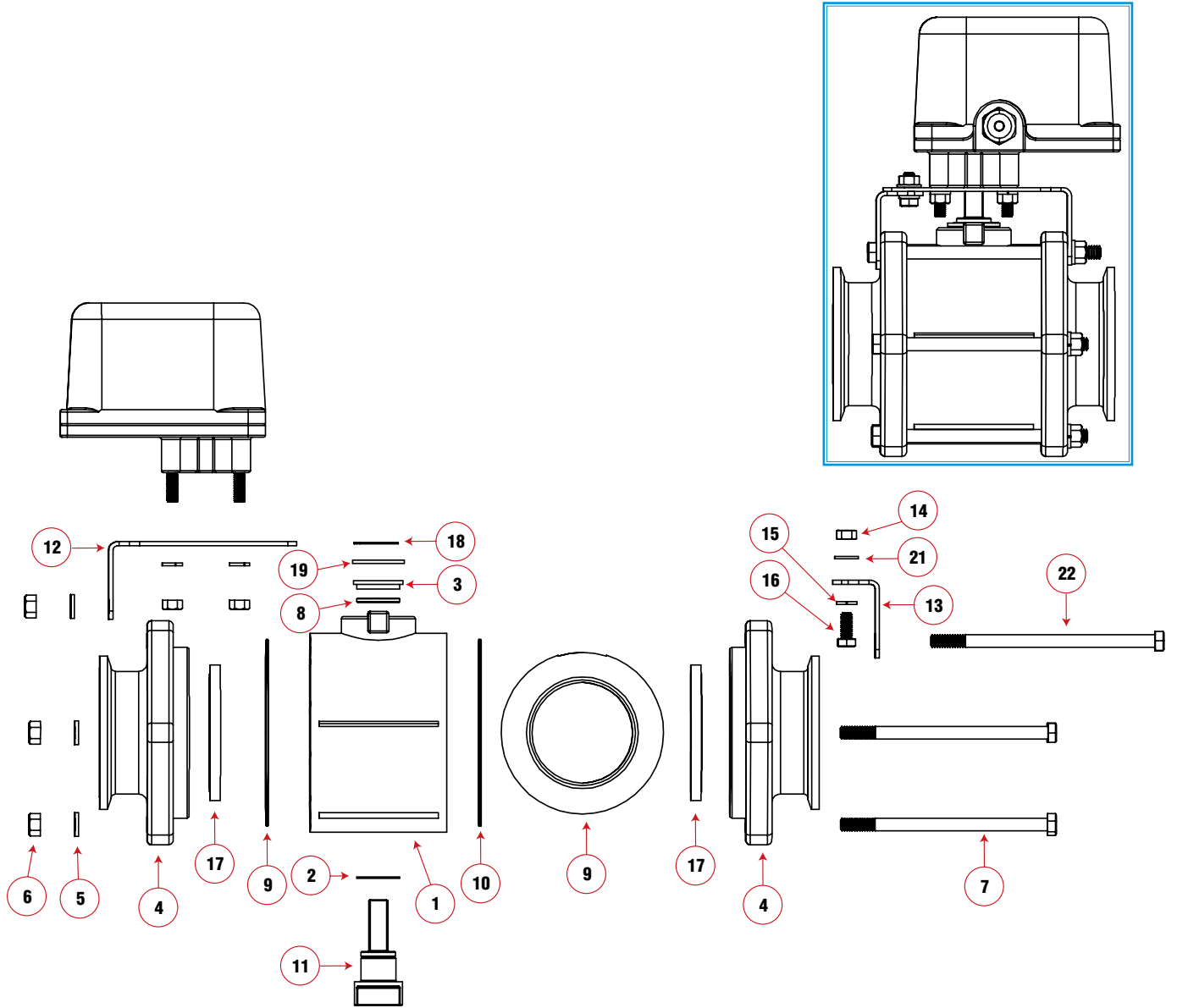
3/4 to 1 1/4 SECOND RESPONSE TIME

3" ON/OFF ELECTRIC MANIFOLD VALVES						
PART NO	DESCRIPTION	MAX PSI	PIPE SIZE	OPENING THRU BALL	QTY	PRICE
MEV300CF	3" Full Port Electric Valve	100	3"	3"	1	\$2,038.00

Note: 2 wire regulating and other response times available. Contact our Sales Team for part number and availability of valves.

On/Off Wiring Diagram





REPLACEMENT PARTS EV300FP				
ITEM	PART NO	DESCRIPTION	QTY	PRICE
1	V35254	3" Body	1	\$35.03
2	V25060	Stem Shim	1	\$2.19
3	V25160	Upper Stem Bushing	1	\$4.32
4	V35278	3" Manifold End Plate	2	\$49.87
5	V20018	3/8" SS Lock Washer	6	\$0.44
6	V20019	3/8" 16 SS Hex Nut	6	\$1.07
7	V35017	3/8" SS Bolt	4	\$5.07
8	V25163	Stem O-Ring	1	\$3.75
9	V35265	3" FKM (viton type) Body O-Ring	2	\$14.32
10	V35255A	3" Electric Ball	1	\$38.30
11	VE30151SS	SS Stem w/Out Seals	1	\$61.15

REPLACEMENT PARTS EV300FP				
ITEM	PART NO	DESCRIPTION	QTY	PRICE
12	VE35188	Actuator Bracket-Large	1	\$108.89
13	VE35189	Actuator Bracket-Small	1	\$94.33
14	V10119	5/16" Hex Nut	6	\$0.58
15	V10118	5/16" Lock Washer	6	\$0.44
16	17019	Hex Bolt	2	\$1.21
17	VE35258A	Ball Seat	2	\$21.33
18	VE30022	1" Snap Ring	1	\$7.86
19	VE30121	Stem Washer	1	\$7.27
20	VE5630	3 Sec, 12VDC Motor	1	\$838.49
21	12901	Washer	2	\$0.46
22	V35018	3/8" SS Bolt	2	\$10.40

3-Way Side Load Electric Manifold Valves 1", 1½", & 2" Full Port

FEATURES

- 316 stainless steel ball & stem.
- Fiberglass reinforced polypropylene.
- Glass reinforced PTFE seats.
- FKM (viton type) or EPDM O-rings.
- 12-volt DC operated.
- 150 P.S.I. maximum pressure.
- Internally fused/automatic reset.
- Open/closed indicator.

Don't forget the manifold connections on pages 81-85.



¾ to 1¼ RESPONSE TIME

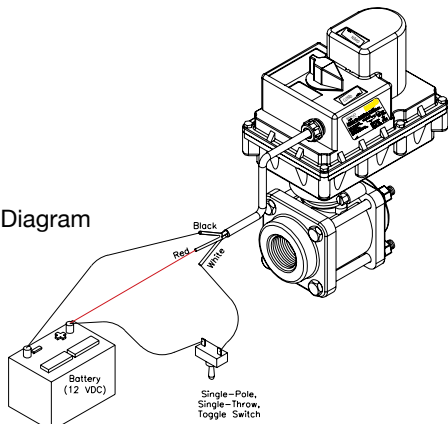
1" & 2" SIDE LOAD ELECTRIC MANIFOLD VALVES						
PART NO	DESCRIPTION	MAX PSI	PIPE SIZE	OPENING THRU BALL	QTY	PRICE
MEV100SLCF	1" Full Port Electric Valve	150	1"	1"	1	\$542.83
MEV200SLCF	2" Standard Port Electric Valve	150	2"	1½"	1	\$841.80
MEV220SLCF	2" Full Port Electric Valve	150	2"	2"	1	\$841.80

4 SECOND RESPONSE TIME

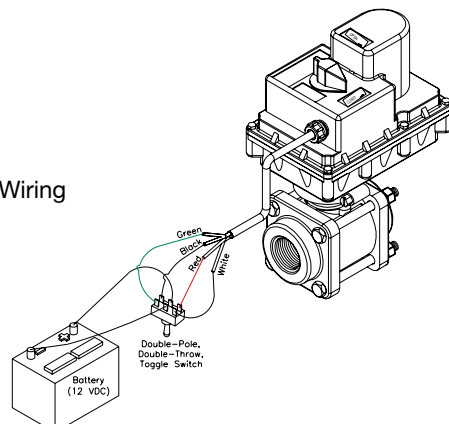
1" & 2" REGULATING SIDE LOAD ELECTRIC MANIFOLD VALVES						
PART NO	DESCRIPTION	MAX PSI	PIPE SIZE	OPENING THRU BALL	QTY	PRICE
MEVR100SLCF	1" Full Port Electric Valve	150	1"	1"	1	\$676.59
MEVR200SLCF	2" Standard Port Electric Valve	150	2"	1½"	1	\$817.26
MEVR220SLCF	2" Full Port Electric Valve	150	2"	2"	1	\$983.37

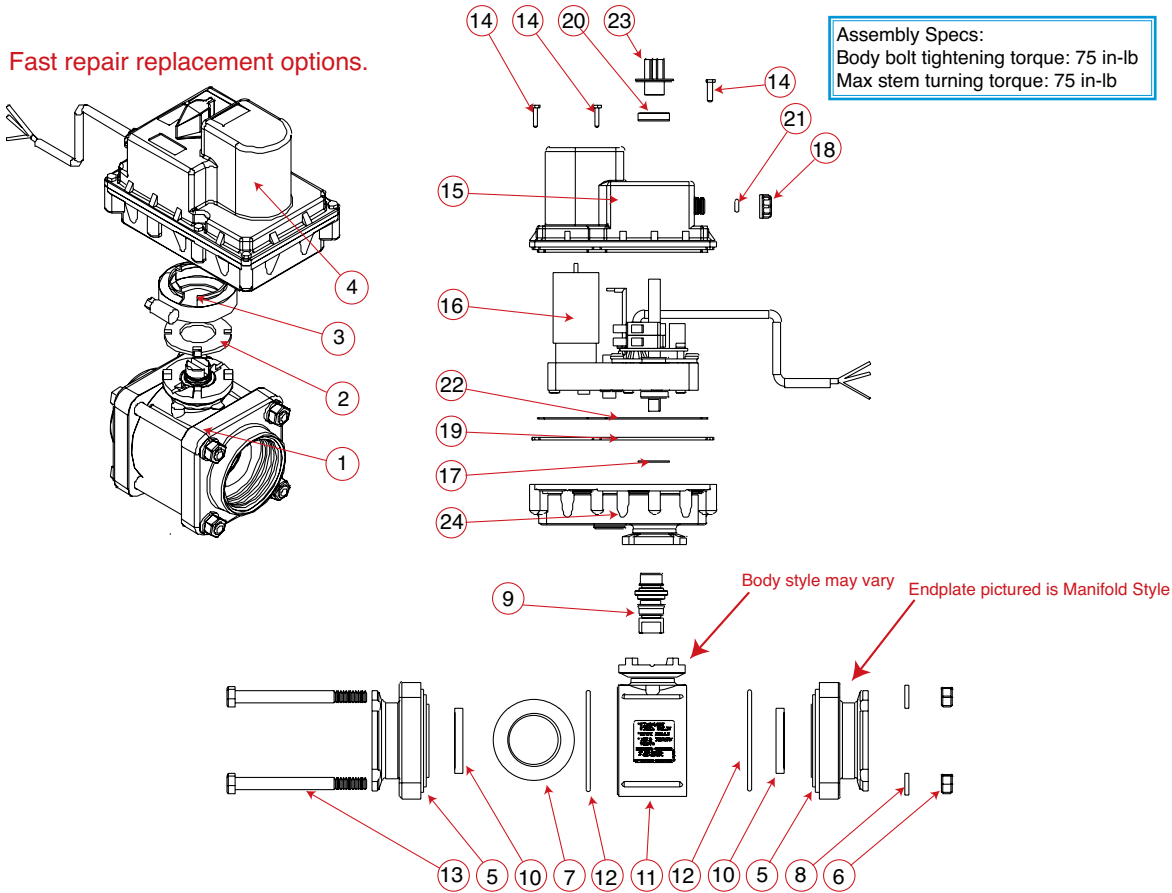
SIDE LOAD:
Directional flow left or right. Valve flow cannot be turned off.

On/Off Wiring Diagram



Regulating Wiring Diagram





MANIFOLD FLANGE CONNECTIONS

REPLACEMENT PARTS				
MEV100SLCF-MEVR100SLCF-MEV200SLCF-MEVR200SLCF -MEV220SLCF-MEVR220SLCF				
ITEM	PART NO	DESCRIPTION	QTY	PRICE
1	MEV100SLXR1	1" Full Port Electric Valve Sub Assembly	1	\$202.18
1	MEV200SLXR1	2" Electric Valve Sub Assembly	1	\$336.18
1	MEV220SLXR1	2" Full Port Electric Valve Sub Assembly	1	\$403.30
2	MVE004	Electric Valve Flange Gasket	1	\$0.42
3	FC100	1" Flange Clamp	1	\$10.30
4	EV3100	1" 3/4 Second 3 Wire Motor Assembly	1	\$317.51
4	EV4100	2" 1 1/4 Second 3 Wire Motor Assembly	1	\$434.79
4	EVR3100	Regulating 4 Wire, 4 Second for 1"	1	\$317.51
4	EVR4100	Regulating 4 Wire, 4 Second for 2"	1	\$326.09
5	VE10278A	1" Manifold End Plate	2	\$9.28
5	VE20294A	2" Manifold End Plate	2	\$13.56
5	VE25378A	2" Full Port Manifold End Plate	2	\$19.92
6	V10119	5/16" SS Body Nut	4	\$0.58
6	V20019	3/8" 16 SS Hex Nut	4	\$1.07
7	VE10355	1" 316 SS Hollow Ball	1	\$91.37
7	VE20355	2" 316 SS Hollow Ball	1	\$109.33
7	VE25355	2" Full Port 316 SS Hollow Ball	1	\$145.29
8	V10118	5/16" SS Lock Washer	4	\$0.44
8	V20018	3/8" SS Lock Washer	4	\$0.44
9	MEV10151	1" SS Stem w/Seals	1	\$63.75
9	MEV25151	2" SS Stem w/Seals	1	\$70.94
10	VE10258A	1" Electric Ball Seat	2	\$10.33
10	VE20258A	2" Electric Ball Seat	2	\$10.85
10	VE25258A	2" Full Port Electric Ball Seat	2	\$10.85
11	MEV10354AS	1" Body	1	\$20.24
11	MEV20354AS	2" Body	1	\$20.88
11	MEV25354AS	2" Full Port Body	1	\$22.19

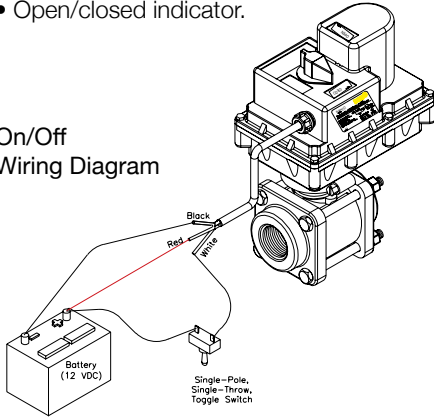
REPLACEMENT PARTS				
MEV100SLCF-MEVR100SLCF-MEV200SLCF-MEVR200SLCF -MEV220SLCF-MEVR220SLCF				
ITEM	PART NO	DESCRIPTION	QTY	PRICE
12	VE10264	1" FKM (viton type) Body O-Ring	2	\$6.29
12	VE20264	2" FKM (viton type) Body O-Ring	2	\$6.27
12	V25264	2" Full Port FKM (viton type) Body O-Ring	2	\$10.21
13	V10117	5/16" x 3 1/2" SS Body Bolt	4	\$1.44
13	V20017	3/8" x 4" SS Body Bolt (2")	4	\$1.79
13	V25017	3/8" x 4 1/2" SS Body Bolt (2" FP)	4	\$2.46
14	VE15220	Housing Screw	6	\$0.30
15	MEV10102A	Housing Top for Small Motor (1")	1	\$41.94
15	MEV25102A	Housing Top for Large Motor (2")	1	\$41.94
16	VE4984	3/4 Second High Torque On/Off Motor	1	\$337.00
16	VE4987	1 1/4 Second High Torque On/Off Motor	1	\$411.88
16	VE4983	4 Second 4 Wire Regulating Motor for 1"	1	\$411.88
16	VE4988	4 Second 12 Volt Wire Regulating Motor 2"	1	\$399.86
17	MVE107	Motor Shaft Gasket	1	\$0.42
18	MVE002	Heyco 1/4" Threaded Bushing	1	\$0.86
19	MVE104	Outer Housing Gasket	1	\$3.14
20	VE109E	Indicator Seal	1	\$4.76
21	MVE007	3mm x 5mm FKM (viton type) O-Ring	1	\$1.07
22	MVE106	Inner Housing Gasket	1	\$2.77
23	VE107B	Flow Indicator	1	\$7.49
24	MEV10101	1" Housing Bottom for Large Motor	1	\$57.66
24	MEV25101	2" Housing Bottom for Large Motor	1	\$57.66
25	EV10210	1" Repair Kit (Includes items 2, 9, 10, 12)	1	\$80.05
25	EV20210	2" Repair Kit (Includes items 2, 9, 10, 12)	1	\$89.89
25	EV25210	2" FP Repair Kit (Includes items 2,9,10,12)	1	\$102.54

3-Way Bottom Load Electric Manifold Valves 1", 1½", & 2" Full Port

FEATURES

- 316 stainless steel ball & stem.
- Fiberglass reinforced polypropylene.
- Glass reinforced PTFE seats.
- FKM (viton type) or EPDM O-rings.
- 12-volt DC operated.
- 150 P.S.I. maximum pressure.
- Internally fused/automatic reset.
- Open/closed indicator.

On/Off
Wiring Diagram



¾ to 1¼ Response time

1" & 2" BOTTOM LOAD ELECTRIC MANIFOLD VALVES						
PART NO	DESCRIPTION	MAX PSI	PIPE SIZE	OPENING THRU BALL	QTY	PRICE
MEV100BLCF	1" Full Port Electric Valve	150	1"	1"	1	\$542.83
MEV200BLCF	2" Standard Port Electric Valve	150	2"	1½"	1	\$841.80
MEV220BLCF	2" Full Port Electric Valve	150	2"	2"	1	\$841.80

NOTE: NO Regulating Valve available for 3-way bottom load electric manifold valves.

Manifold Pressure Spike Valves

FEATURES

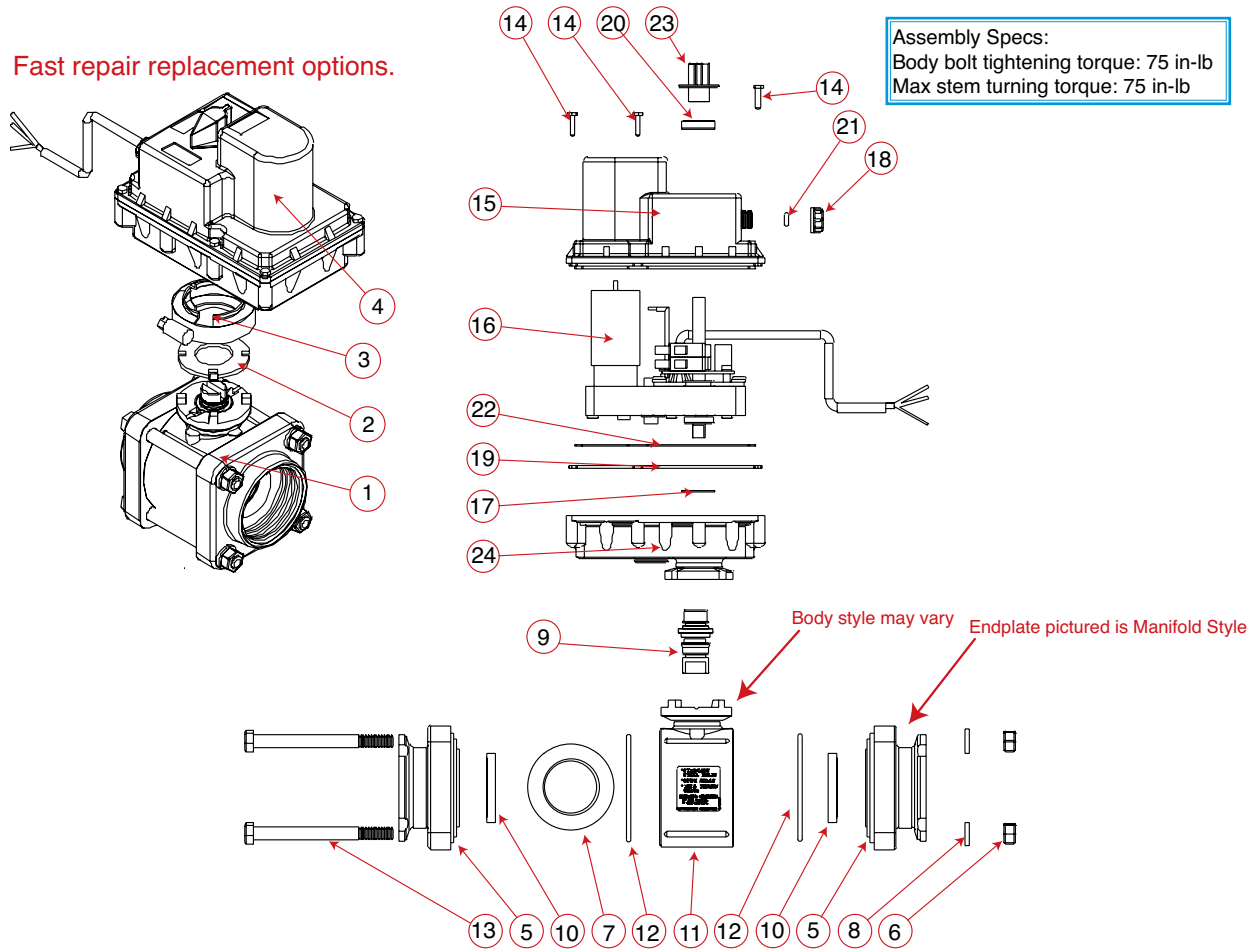
- Precision molded in polypropylene. Polypropylene is reinforced with fiberglass for additional strength.
- Preset pressure spring.
- Poppet is diamond turned, after molding, to make it spherically perfect, which provides precise seal.
- 360° Orientation.
- FKM (viton type) seals.



MANIFOLD PRESSURE SPIKE VALVES				
PART NO	DESCRIPTION	PRESSURE SPIKE	QTY	PRICE
MPRV100-050	1" Pressue Spike Valve	50 PSI	1	\$91.09
MPRV100-075	1" Pressue Spike Valve	75 PSI	1	\$91.09
MPRV100-100	1" Pressue Spike Valve	100 PSI	1	\$83.96
MPRV100-125	1" Pressue Spike Valve	125 PSI	1	\$83.96
MPRV100-150	1" Pressue Spike Valve	150 PSI	1	\$83.96



Fast repair replacement options.



MANIFOLD FLANGE CONNECTIONS

REPLACEMENT PARTS MEV100BLCF-MEV200BLCF-MEV220BLCF				
ITEM	PART NO	DESCRIPTION	QTY	PRICE
1	MEV100BLXR1	1" Full Port Electric Valve Sub Assembly	1	\$202.18
1	MEV200BLXR1	2" Electric Valve Sub Assembly	1	\$336.18
1	MEV220BLXR1	2" Full Port Electric Valve Sub Assembly	1	\$403.30
2	MVE004	Electric Valve Flange Gasket	1	\$0.42
3	FC100	1" Flange Clamp	1	\$10.30
4	EV3100	1" 3/4 Second 3 Wire Motor Assembly	1	\$317.51
4	EV4100	2" 1 1/4 Second 3 Wire Motor Assembly	1	\$434.79
5	VE10278A	1" Manifold End Plate	2	\$9.28
5	VE20294A	2" Manifold End Plate	2	\$13.56
5	VE25378A	2" Full Port Manifold End Plate	2	\$19.92
6	V10119	5/16" SS Body Nut	4	\$0.58
6	V20019	3/8" 16 SS Hex Nut	4	\$1.07
7	VE10355	1" 316 SS Hollow Ball	1	\$91.37
7	VE20355	2" 316 SS Hollow Ball	1	\$109.33
7	VE25355	2" Full Port 316 SS Hollow Ball	1	\$145.29
8	V10118	5/16" SS Lock Washer	4	\$0.44
8	V20018	3/8" SS Lock Washer	4	\$0.44
9	MEV10151	1" SS Stem w/Seals	1	\$63.75
9	MEV25151	2" SS Stem w/Seals	1	\$70.94
10	VE10258A	1" Electric Ball Seat	2	\$10.33
10	VE20258A	2" Electric Ball Seat	2	\$10.85
10	VE25258A	2" Full Port Electric Ball Seat	2	\$10.85
11	MEV10354AB	1" Body	1	\$20.24
11	MEV20354AB	2" Body	1	\$20.88

REPLACEMENT PARTS MEV100BLCF-MEV200BLCF-MEV220BLCF				
ITEM	PART NO	DESCRIPTION	QTY	PRICE
11	MEV25354AB	2" Full Port Body	1	\$22.19
12	VE10264	1" FKM (viton type) Body O-Ring	2	\$6.29
12	VE20264	2" FKM (viton type) Body O-Ring	2	\$6.27
12	V25264	2" Full Port FKM (viton type) Body O-Ring	2	\$10.21
13	V10117	5/16" x 3 1/2" SS Body Bolt	4	\$1.44
13	V20017	3/8" x 4" SS Body Bolt (2")	4	\$1.79
13	V25017	3/8" x 4 1/2" SS Body Bolt (2" FP)	4	\$2.46
14	VE15220	Housing Screw	6	\$0.30
15	MEV10102A	Housing Top for Small Motor (1")	1	\$41.94
15	MEV25102A	Housing Top for Large Motor (2")	1	\$41.94
16	VE4984	3/4 Second High Torque On/Off Motor	1	\$337.00
16	VE4987	1 1/4 Second High Torque On/Off Motor	1	\$411.88
17	MVE107	Motor Shaft Gasket	1	\$0.42
18	MVE002	Heyco 1/4" Threaded Bushing	1	\$0.86
19	MVE104	Outer Housing Gasket	1	\$3.14
20	VE109E	Indicator Seal	1	\$4.76
21	MVE007	3mm x 5mm FKM (viton type) O-Ring	1	\$1.07
22	MVE106	Inner Housing Gasket	1	\$2.77
23	VE107B	Flow Indicator	1	\$7.49
24	MEV10101	1" Housing Bottom for Large Motor	1	\$57.66
24	MEV25101	2" Housing Bottom for Large Motor	1	\$57.66
25	EV10210	1" Repair Kit (Includes items 2, 9, 10, 12)	1	\$80.05
25	EV20210	2" Repair Kit (Includes items 2, 9, 10, 12)	1	\$89.89
25	EV25210	2" FP RepairKit(Includes items 2,9,10,12)	1	\$102.54

Manifold Bolted Ball Valves 4 and 6 Bolt Valves

FEATURES

- FKM (viton type) seals.
- PTFE self-lubricating stem bushings and seats cannot stick or bind.
- Precision molded in polypropylene. Polypropylene is reinforced with fiberglass for additional strength.
- Self-aligning ball moves freely against the PTFE seats for smooth operation. The valve opens and closes with very little pressure on the handle.
- Ball is diamond turned, after molding, to make it spherically perfect, which provides precise contact between ball and seats.

MANIFOLD FLANGE CONNECTIONS



MANIFOLD 4 & 6 BOLTED VALVES						
PART NO	DESCRIPTION	MAX PSI	PIPE SIZE	OPENING THRU BALL	QTY	PRICE
MV100CF	1" Flange Ball Valve	150	1"	1"	24/box	\$45.52
MV200CF	2" Flange Ball Valve	150	2"	1½"	12/box	\$64.41
MV220CF	2" Full Port Flange Ball Valve	150	2"	2"	8/box	\$85.85
MV300	3" Standard Flange Ball Valve	100	3"	2½"	6/box	\$140.94
MV300CF	3" Full Port Flange Ball Valve	100	3"	3"	6/box	\$204.29

*Valve repair kits contain items marked with asterisk
 1 Ball 2 Body O-Rings 1 Thrust Washer
 2 Ball Seats 1 Upper Stem Bushing 1 Stem O-Ring

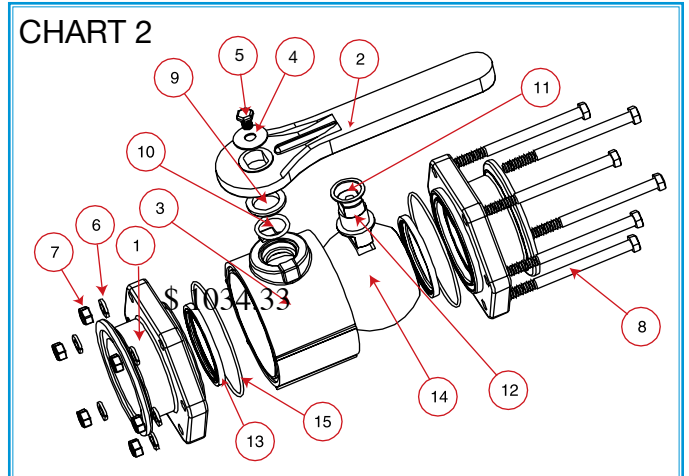
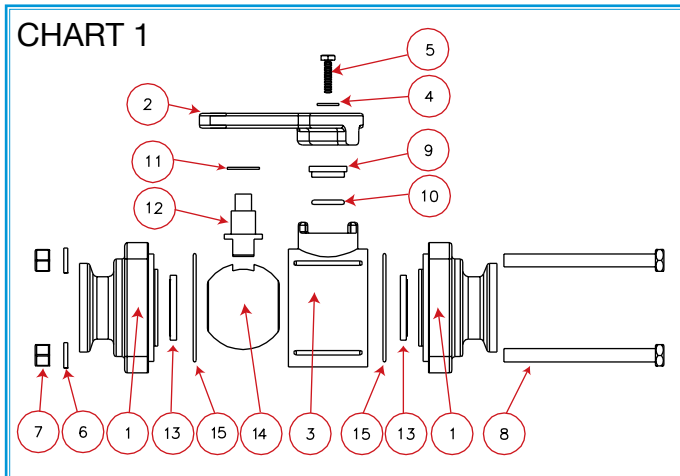


Chart 1

REPLACEMENT PARTS MV100CF				
ITEM	PART NO	DESCRIPTION	QTY	PRICE
1	V10278	1" Manifold End Plate	2	\$11.55
2	V10153A	Handle	1	\$4.48
3	V10254	Body	1	\$8.80
4	V07021A	S.S. Handle Washer	1	\$0.44
5	V10020A	#10 x 1 1/4" S.S. Handle Bolt	1	\$1.07
6	V10118	5/16" S.S. Lock Washer	4	\$0.44
7	V10119	5/16" S.S. Nut	4	\$0.58
8	V10117	5/16" x 3 1/2" S.S. Body Bolt	1	\$1.44
9	V10159*	Upper Stem Bushing	1	\$2.61
10	V10163*	FKM (viton type) Stem O-Ring	1	\$2.19
11	V10060*	Thrust Washer	1	\$1.59
12	V10151A	Stem	1	\$4.48
13	V10258A*	Ball Seat	2	\$6.35
14	V10155*	Ball	1	\$7.37
15	V10264	FKM (viton type) Body O-Ring	2	\$6.07
N/S	V10200	Repair Kit	1	\$28.73

Chart 2

REPLACEMENT PARTS MV300				
ITEM	PART NO	DESCRIPTION	QTY	PRICE
1	MV30264	3" Manifold End Plate	2	\$49.87
2	V25153	Handle	1	\$13.71
3	V30254	Body	1	\$25.30
4	V25121	S.S. Handle Washer	1	\$0.58
5	V25020	3/8" x 1/2" S.S. Handle Bolt	1	\$1.79
6	V20018	3/8" S.S. Lock Washer	6	\$0.44
7	V20019	3/8" S.S. Nut	6	\$1.07
8	V30017	3/8" x 5" S.S. Body Bolt	1	\$3.62
9	V25160*	Upper Stem Bushing	1	\$4.32
10	V25163*	FKM (viton type) Stem O-Ring	1	\$3.75
11	V25060*	Thrust Washer	1	\$2.19
12	V25151B	Stem	1	\$13.73
13	V30258A*	Ball Seat	2	\$13.15
14	V30255*	Ball	1	\$23.47
15	V30265*	FKM (viton type) Body O-Ring	2	\$11.72
N/S	V30200	Repair Kit	1	\$79.89

REPLACEMENT PARTS MV200CF				
ITEM	PART NO	DESCRIPTION	QTY	PRICE
1	V20294	2" Manifold End Plate	2	\$16.12
2	V20153	Handle	1	\$8.97
3	V20254	Body	1	\$12.57
4	V20021	S.S. Handle Washer	1	\$0.44
5	V20020	1/4" x 1/2" S.S. Handle Bolt	1	\$0.88
6	V10118	3/8" S.S. Lock Washer	4	\$0.44
7	V10119	3/8" S.S. Nut	4	\$0.58
8	V10117	3/8" x 4 1/2" S.S. Body Bolt	1	\$1.44
9	V20159*	Upper Stem Bushing	1	\$3.18
10	V20163*	FKM (viton type) Stem O-Ring	1	\$2.74
11	V20060*	Thrust Washer	1	\$2.19
12	V20151M	Stem	1	\$8.97
13	V20258A*	Ball Seat	2	\$9.98
14	V20255A*	Ball	1	\$12.29
15	V20264*	FKM (viton type) Body O-Ring	2	\$9.98
N/S	V20200	Repair Kit	1	\$43.12

REPLACEMENT PARTS MV300CF				
ITEM	PART NO	DESCRIPTION	QTY	PRICE
1	V35278	3" Full Port Manifold End Plate	2	\$49.87
2	V25153	Handle	1	\$13.71
3	V35254	Body	1	\$35.03
4	V25121	S.S. Handle Washer	1	\$0.58
5	V25020	3/8" x 1/2" S.S. Handle Bolt	1	\$1.79
6	V20018	3/8" S.S. Lock Washer	6	\$0.44
7	V20019	3/8" S.S. Nut	6	\$1.07
8	V35017	3/8" x 6" S.S. Body Bolt	6	\$5.07
9	V25160*	Upper Stem Bushing	1	\$4.32
10	V25163*	FKM (viton type) Stem O-Ring	1	\$3.75
11	V25060*	Thrust Washer	1	\$2.19
12	V25151B	Stem	1	\$13.73
13	V35258A*	Ball Seat	2	\$21.33
14	V35255A*	Ball	1	\$38.30
15	V35265*	FKM (viton type) Body O-Ring	2	\$14.32
N/S	V35200	Repair Kit	1	\$146.66

REPLACEMENT PARTS MV220CF				
ITEM	PART NO	DESCRIPTION	QTY	PRICE
1	V25478	2" Full Port Manifold End Plate	2	\$19.23
2	V25153	Handle	1	\$13.71
3	V25254	Body	1	\$17.05
4	V25121	S.S. Handle Washer	1	\$0.58
5	V25020	3/8" x 1/2" S.S. Handle Bolt	1	\$1.79
6	V20018	3/8" S.S. Lock Washer	4	\$0.44
7	V20019	3/8" 16 SS Hex Nut	4	\$1.07
8	V20017	3/8" x 4" S.S. Body Bolt	1	\$1.79
9	V25160*	Upper Stem Bushing	1	\$4.32
10	V25163*	FKM (viton type) Stem O-Ring	1	\$3.75
11	V25060*	Thrust Washer	1	\$2.19
12	V25151B	Stem	1	\$13.73
13	V25258A*	Ball Seat	2	\$12.13
14	V25255A*	Ball	1	\$13.15
15	V25264*	FKM (viton type) Body O-Ring	2	\$10.21
N/S	V25200	Repair Kit	1	\$56.74



Manifold Bolted 5 Way Ball Valve

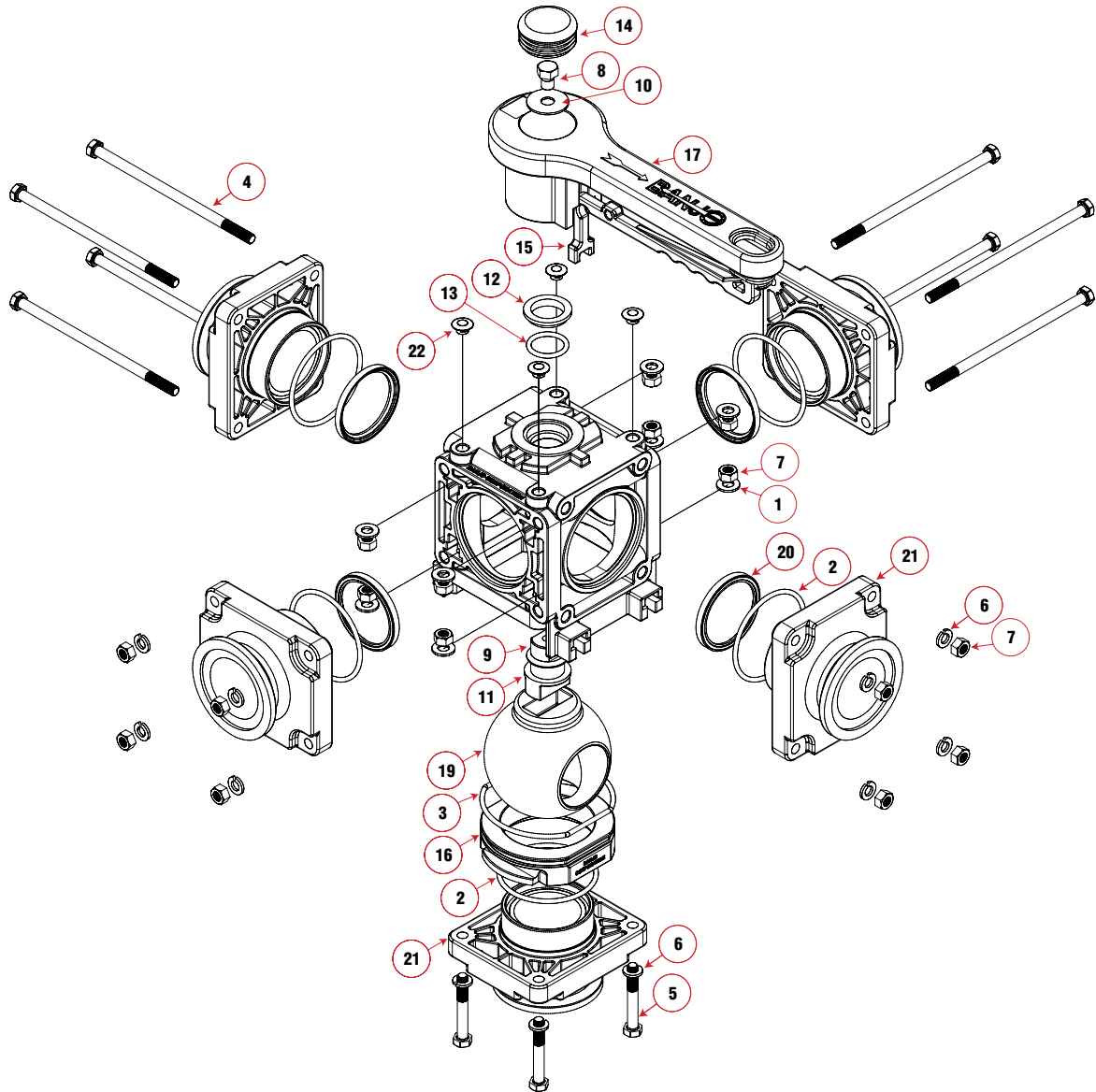
FEATURES

- FKM (viton type) seals.
- PTFE self-lubricating stem bushings and seats cannot stick or bind.
- Precision molded in polypropylene. Polypropylene is reinforced with fiberglass for additional strength.
- Self-aligning ball moves freely against the PTFE seats for smooth operation. The valve opens and closes with very little pressure on the handle.
- Ball is diamond turned, after molding, to make it spherically perfect, which provides precise contact between ball and seats.



MANIFOLD BOLTED 5 WAY VALVE						
PART NO	DESCRIPTION	MAX PSI	PIPE SIZE	OPENING THRU BALL	QTY	PRICE
MV225CF	2" Full Port Flange 5 Way Valve	150	2"	2"	1	\$407.15





REPLACEMENT PARTS MV225CF

ITEM	PART NO	DESCRIPTION	QTY	PRICE
1	12901	5/16" Flat Washer	8	\$0.46
2	A232V	O-Ring FKM (viton type)	5	\$11.67
3	A238V	O-Ring FKM (viton type)	1	\$18.20
4	B0516650	5/16" - 18 x 6 1/2" HHCS Bolt	8	\$11.16
5	BF107	5/16" - 18 x 2 1/4" HHCS Bolt	4	\$1.49
6	V10118	5/16" SS Lock Washer	12	\$0.44
7	V10119	5/16" SS Nut	16	\$0.58
8	V25020	#10 x 3/4" SS Handle Bolt	1	\$1.79
9	V25060	Thrust Washer	1	\$2.19
10	V25121	SS Handle Washer	1	\$0.58
11	V25151B	Stem	1	\$13.73

REPLACEMENT PARTS MV225CF

ITEM	PART NO	DESCRIPTION	QTY	PRICE
12	V25160	Upper Stem Bushing	1	\$4.32
13	V25163	FKM (viton type) Stem O-Ring	1	\$3.75
14	V25502	3/4" Cap Plug	1	\$2.55
15	V25503	Handle Locking Tab	1	\$13.56
16	V25508	Spacer	1	\$11.42
17	V25553AX	Handle	1	\$18.76
18	V25554AX	Body	1	\$33.41
19	V25555	Ball	1	\$40.72
20	V25558D	TFE Seat	4	\$16.64
21	V25578AX	Endplate	5	\$13.21
22	PIP0716	Push in plug	4	\$0.58

Manifold Valves

2" Standard Port Manifold "Stubby" Valve

PATENTED™

FEATURES

- Stainless steel bolts.
- Glass reinforced polypropylene.
- Multiple design options.
- Unique patented compact design.
- Lightweight.
- Maximum operating pressure 100 P.S.I. @ 70°F. 75 P.S.I. @ 150°F.



VSMT200CF



VSF200CF

2" MANIFOLD STUBBY VALVES

PART NO	DESCRIPTION	MAX PSI	PIPE SIZE	OPENING THRU BALL	QTY	PRICE
VSMT200CF	2" Flange x 2" Male NPT	100	2"	1½"	24/box	\$62.54
VSF200CF	2" Flange x 2" Male Adapter	100	2"	1½"	24/box	\$64.41

Manifold Valves

2" Full Port Manifold "Stubby" Valve

PATENTED™



MVS220FP



MVS220CF



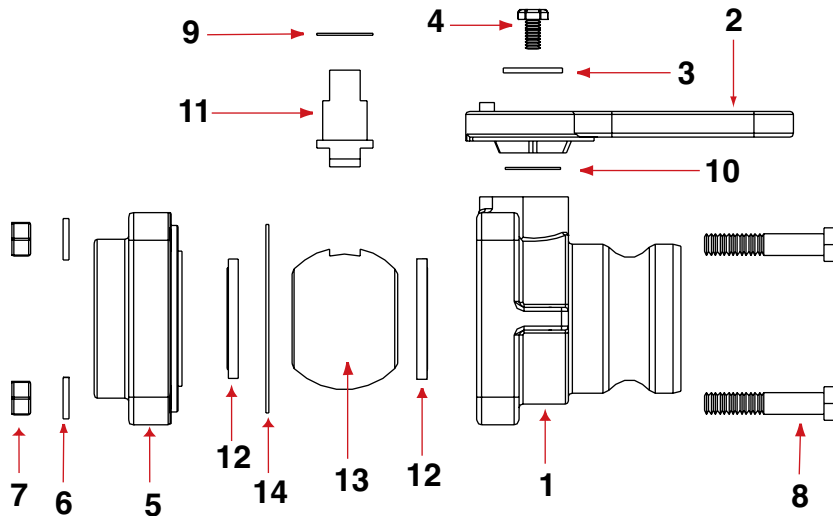
MVSF220FP



MVSMT220FP

2" FULL PORT MANIFOLD STUBBY VALVES

PART NO	DESCRIPTION	MAX PSI	PIPE SIZE	OPENING THRU BALL	QTY	PRICE
MVS220FP	2" FP Flange x 2" Female NPT	100	2"	2"	8/box	\$77.75
MVSF220FP	2" FP Flange x 2" Male Adapter	100	2"	2"	8/box	\$77.75
MVS220CF	2" FP Flange x 2" FP Flange	100	2"	2"	8/box	\$77.75
MVSMT220FP	2" FP Flange x 2" Male NPT	100	2"	2"	8/box	\$77.75



REPLACEMENT PARTS VSF200CF -VSMT200CF-MVS220FP-MVSF220FP-MVS220CF-MVSMT220FP				
ITEM	PART NO	DESCRIPTION	QTY	PRICE
3	V20021	Handle Washer	1	\$0.44
4	V20020	Handle Bolt	1	\$0.88
6	V20018	Lock Washer	4	\$0.44
7	V20019	3/8" 16 SS Hex Nut	4	\$1.07
8	V20010SS	Body Bolt	4	\$1.07
9	V20060*	Upper Stem Bushing	1	\$2.19
10	V20060*	Thrust Bearing	1	\$2.19
11	VS20151	Stem	1	\$9.98

REPLACEMENT PARTS VSF200CF-VSMT200CF				
ITEM	PART NO	DESCRIPTION	QTY	PRICE
1	VMT20254	2" Male NPT Body (VSMT200CF)	1	\$27.52
1	VF20254	2" Male Quick Connect Body (VSF200CF)	1	\$21.68
2	VS20152SH	2" Short Handle	1	\$8.97
5	VS20294	2" Stubby End Plate	1	\$16.12
12	VS20258A*	Seat	2	\$9.98
13	VS20255*	Ball	1	\$10.83
14	V21204*	Body Gasket	1	\$4.51
N/S	VS20200	Repair Kit (Items with asterisk* are included)	1	\$48.39



REPLACEMENT PARTS MVS220FP-MVSF220FP-MVS220CF-MVSMT220FP				
ITEM	PART NO	DESCRIPTION	QTY	PRICE
1	VFT25254	2" Full Port Female NPT Body (MVS200FP)	1	\$19.23
1	VF25254	2" Full Port Male Adapter Body (MVSF220FP)	1	\$18.05
1	MV25254	2" Full Port Manifold Body (MVS220CF & MVSMT220FP)	1	\$18.05
2	VS25153	2" Full Port Stubby Handle	1	\$13.71
5	VS25378	2" Stubby End Plate	1	\$19.23
5	VSMT25356	2" FP Stubby End Plate (MVSMT220FP)	1	\$19.23
12	VS25258AR1	Seat	2	\$5.78
13	VS25255	Ball	1	\$13.15
14	V25214V	FKM (viton type) Body Gasket	1	\$5.62

Manifold Valves

2" Full Port Stainless Steel Manifold "Stubby" Valve

PATENTED

FEATURES

- Stainless steel bolts.
- Glass reinforced polypropylene.
- Multiple design options.
- Unique patented compact design.
- Lightweight.
- Maximum operating pressure 100 P.S.I. @ 70°F. 75 P.S.I. @ 150°F.



MVS220HSFP



MVSF220HSFP



MVSMT220HSFP

2" FULL PORT MANIFOLD STUBBY VALVES W/SS						
PART NO	DESCRIPTION	MAX PSI	PIPE SIZE	OPENING THRU BALL	QTY	PRICE
MVS220HSFP	2" FP Flange x 2" FP Flange w/ SS Ball, Stem & Handle	100	2"	2"	1	\$204.14
MVSF220HSFP	2" FP Flange x 2" Male Adapter w/SS Ball, Stem & Handle	100	2"	2"	1	\$204.14
MVSMT220HSFP	2" FP NPT x 2" Male Flange w/SS Ball, Stem & Handle	100	2"	2"	1	\$204.14

FEATURES

- 100% PTFE ball seats.
- Unique compact design.
- All TFE seals. No elastomers.
- 1000 P.S.I. maximum

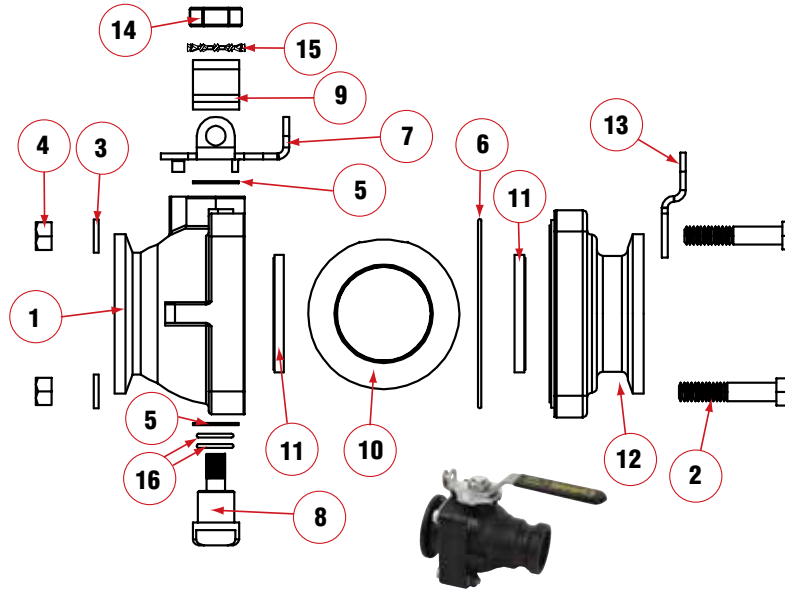


MVSF220SS



2" FULL PORT MANIFOLD STAINLESS STEEL STUBBY VALVES						
PART NO	DESCRIPTION	MAX PSI	PIPE SIZE	OPENING THRU BALL	QTY	PRICE
MVS220SS	2" FP Flange x 2" FP Flange Stainless Steel Stubby Valve	1000	2"	2"	1	\$341.38
MVSF220SS	2" FP Flange x 2" Male Adapter Stainless Steel Stubby Valve	1000	2"	2"	1	\$341.38
MVSMT220SS	2" FP Male NPT x 2" FP Flange Stainless Steel Stubby Valve	1000	2"	2"	1	\$341.38

2" FULL PORT STAINLESS STEEL STUBBY VALVE						
PART NO	DESCRIPTION	MAX PSI	PIPE SIZE	OPENING THRU BALL	QTY	PRICE
VSFMT220SS	2" FP Male Adapter x 2" NPT Stainless Steel Stubby Valve	1000	2"	2"	1	\$341.38



REPLACEMENT PARTS MVS220HSFP				
ITEM	PART NO	DESCRIPTION	QTY	PRICE
1	MV25254	2" Full Port Female NPT Body	1	\$18.05
2	V20010SS	3/8" - 16 x 2" SS Bolt	4	\$1.07
3	V20018	3/8" SS Lock Washer	4	\$0.44
4	V20019	3/8" 16 SS Hex Nut	4	\$1.07
5	V20060	Thrust Bearing	2	\$2.19
6	V25214V	FKM (viton type) Body Gasket	1	\$5.62
7	VS20101SS	Stainless Steel Handle Stop	1	\$30.96
8	VS20151SS	Stainless Steel Stem	1	\$40.63
9	VS25153SS	2" Stainless Steel Handle	2	\$32.08
10	VS25255SS	Stainless Steel Ball	1	\$77.63
11	VS25258AR1	Seat	1	\$5.78
12	VS25378	2" Stubby End Plate	1	\$19.23
13	VS20102SS	Stainless Steel Handle Lock	1	\$15.00
14	VSS15020	Stainless Steel Handle Nut	1	\$2.36
15	VS20021	Washer	1	\$1.40
16	VS20163	FKM (viton type) Stem O-ring	2	\$1.87

REPLACEMENT PARTS MVSF220HSFP				
ITEM	PART NO	DESCRIPTION	QTY	PRICE
1	VF25254	2" FP Male Adapter Body	1	\$18.05
2	V20010SS	3/8" - 16 x 2" SS Bolt	4	\$1.07
3	V20018	3/8" SS Lock Washer	4	\$0.44
4	V20019	3/8" 16 SS Hex Nut	4	\$1.07
5	V20060	Thrust Bearing	2	\$2.19
6	V25214V	FKM (viton type) Body Gasket	1	\$5.62
7	VS20101SS	Stainless Steel Handle Stop	1	\$30.96
8	VS20151SS	Stainless Steel Stem	1	\$40.63
9	VS25153SS	2" Stainless Steel Handle	2	\$32.08
10	VS25255SS	Stainless Steel Ball	1	\$77.63
11	VS25258AR1	Seat	1	\$5.78
12	VS25378	2" Stubby End Plate	1	\$19.23
13	VS20102SS	Stainless Steel Handle Lock	1	\$15.00
14	VSS15020	Stainless Steel Handle Nut	1	\$2.36
15	VS20021	Washer	1	\$1.40
16	VS20163	FKM (viton type) Stem O-ring	2	\$1.87



REPLACEMENT PARTS MVSMT220HSFP				
ITEM	PART NO	DESCRIPTION	QTY	PRICE
1	MV25254	2" Full Port Female NPT Body	1	\$18.05
2	V20010SS	3/8" - 16 x 2" SS Bolt	4	\$1.07
3	V20018	3/8" SS Lock Washer	4	\$0.44
4	V20019	3/8" 16 SS Hex Nut	4	\$1.07
5	V20060	Thrust Bearing	2	\$2.19
6	V25214V	FKM (viton type) Body Gasket	1	\$5.62
7	VS20101SS	Stainless Steel Handle Stop	1	\$30.96
8	VS20151SS	Stainless Steel Stem	1	\$40.63
9	VS25153SS	2" Stainless Steel Handle	2	\$32.08
10	VS25255SS	Stainless Steel Ball	1	\$77.63
11	VS25258AR1	Seat	1	\$5.78
12	VSMT25356	2" Stubby End Plate	1	\$19.23
13	VS20102SS	Stainless Steel Handle Lock	1	\$15.00
14	VSS15020	Stainless Steel Handle Nut	1	\$2.36
15	VS20021	Washer	1	\$1.40
16	VS20163	FKM (viton type) Stem O-ring	2	\$1.87

Manifold Valves

3" Manifold "Stubby" Valve

PATENTED

FEATURES

- Stainless steel bolts.
- Glass reinforced polypropylene.
- Multiple design options.
- Unique patented compact design.
- Lightweight.
- Maximum operating pressure 100 P.S.I. @ 70°F. 75 P.S.I. @ 150°F.



MVSF300



MVSF300FP



MVSMT300

3" MANIFOLD STUBBY VALVES						
PART NO	DESCRIPTION	MAX PSI	PIPE SIZE	OPENING THRU BALL	QTY	PRICE
MVSF300	3" Flange x 3" Male Adapter	100	3"	2½"	6/box	\$158.95
MVSF300FP	3" Full Port Flange x 3" Male Adapter	100	3"	3"	1	\$198.99
MVSMT300	3" Flange x 3" Male NPT	100	3"	2½"	6/box	\$165.52

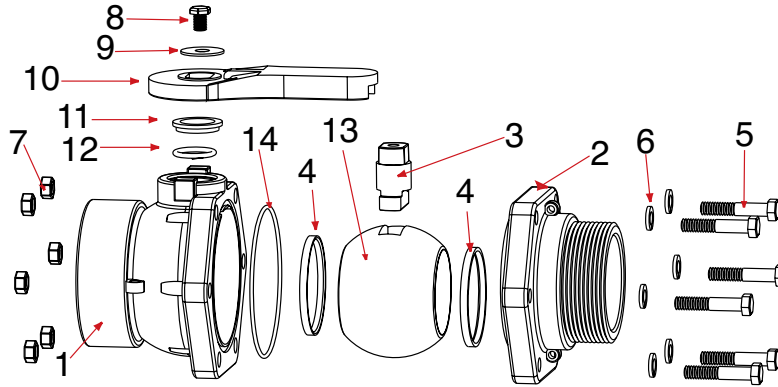


MVS300CF



MVS300CFFP

3" MANIFOLD STUBBY VALVES						
PART NO	DESCRIPTION	MAX PSI	PIPE SIZE	OPENING THRU BALL	QTY	PRICE
MVS300CF	3" Flange x 3" Flange	100	3"	2½"	1/box	\$158.95
MVS300CFFP	3" Full Port Flange x 3" Full Port Flange	100	3"	3"	1/box	\$194.43



REPLACEMENT PARTS MVSF300-MVSF300FP-MVSMT300-MVS300CF-MVS300CFPP				
ITEM	PART NO	DESCRIPTION	QTY	PRICE
1	MVS30254	3" Stubby Body w/Manifold Flange	1	\$33.16
3	VS25151B	Short Stem	1	\$13.71
4	VS30258	3" Stubby Seat	2	\$4.63
5	V20010SS	3/8" - 16 x 2" SS Bolt	6	\$1.07
6	V20018	3/8" SS Lock Washer	6	\$0.44
7	V20019	3/8" 16 SS Hex Nut	6	\$1.07
8	V25020	3/8" x 1/2" Handle Bolt	1	\$1.79
9	V25121	Handle Washer	1	\$0.58
10	V25153	Handle-Straight	1	\$13.71
11	V25160	Upper Stem Bushing	1	\$4.32
12	V25163	FKM (viton type) Stem O-Ring	1	\$3.75
13	VS30255	3" Ball	1	\$22.35
14	V30265	FKM (viton type) Body O-Ring	1	\$11.72

REPLACEMENT PARTS MVSF300FP				
ITEM	PART NO	DESCRIPTION	QTY	PRICE
1	VSF35254	3" FP Stubby Body	1	\$52.65
2	VS35278	3" FP Stubby End Plate	1	\$33.16
4	VS35258	3" Stubby Seat	2	\$23.57
13	V35255A	3" Ball	1	\$38.30
14	V35265	FKM (viton type) Body O-Ring	1	\$14.32

REPLACEMENT PARTS MVSMT300				
ITEM	PART NO	DESCRIPTION	QTY	PRICE
2	VSMT30264	3" Stubby Male NPT End Plate	1	\$34.39

REPLACEMENT PARTS MVS300CF				
ITEM	PART NO	DESCRIPTION	QTY	PRICE
2	VS30278	3" Stubby End Plate	1	\$35.38

REPLACEMENT PARTS MVSF300				
ITEM	PART NO	DESCRIPTION	QTY	PRICE
2	VSF30264	3" Stubby F End Plate	1	\$28.15

REPLACEMENT PARTS MVS300CFPP				
ITEM	PART NO	DESCRIPTION	QTY	PRICE
1	MVS35254	3" FP Stubby Body	1	\$35.31
2	VS35278	3" FP Stubby End Plate	1	\$33.16
3	V30151B	Stem	1	\$13.73
4	VS35258	3" Stubby Seat	2	\$23.57
13	V35255A	3" Ball	1	\$38.30
14	V35265	FKM (viton type) Body O-Ring	1	\$14.32

Manifold Valves

3" Full Port Stainless Steel Manifold "Stubby" Valve

PATENTED

FEATURES

- Stainless steel bolts.
- Glass reinforced polypropylene.
- Multiple design options.
- Unique patented compact design.
- Lightweight.
- Maximum operating pressure 100 P.S.I. @ 70°F. 75 P.S.I. @ 150°F.



MVS300HSFP

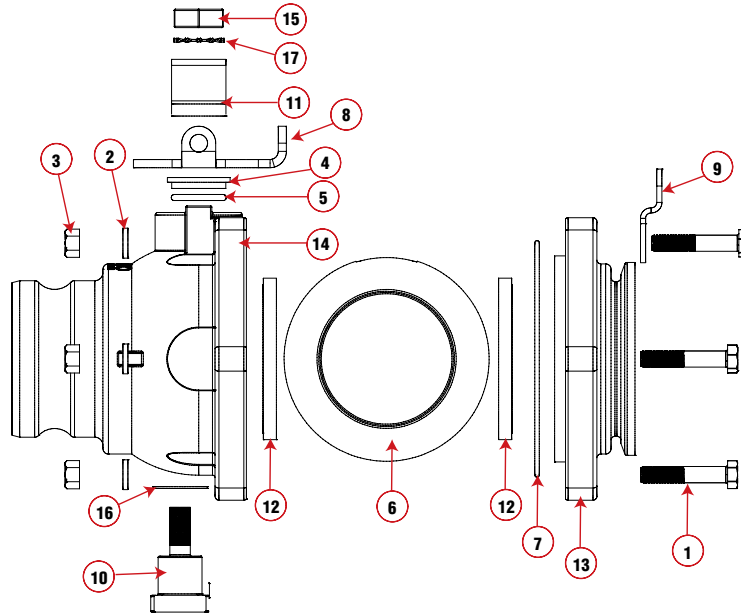


MVSF300HSFP



MVSMT300HSFP

3" FULL PORT MANIFOLD STUBBY VALVES W/SS						
PART NO	DESCRIPTION	MAX PSI	PIPE SIZE	OPENING THRU BALL	QTY	PRICE
MVS300HSFP	3" FP Flange x 3" FP Flange w/SS Ball, Stem & Handle	100	3"	3"	1/bx	\$382.56
MVSF300HSFP	3" FP Flange x 3" Male Adapter w/SS Ball, Stem & Handle	100	3"	3"	1/bx	\$382.56
MVSMT300HSFP	3" FP Flange x 3" Male NPT w/SS Ball, Stem & Handle	100	3"	3"	1/bx	\$382.56



REPLACEMENT PARTS MVSF300HSFP-MVS300HSFP				
ITEM	PART NO	DESCRIPTION	QTY	PRICE
1	V20010SS	3/8" - 16 x 2" SS Bolt	6	\$1.07
2	V20018	3/8" SS Lock Washer	6	\$0.44
3	V20019	3/8" 16 SS Hex Nut	6	\$1.07
4	V25160	Upper Stem Bushing	1	\$4.32
5	V25163	FKM(viton type) O-Ring	1	\$3.75
6	V35255ASS	Stainless Steel Ball	1	\$137.17
7	V35265	FKM(viton type) Body O-Ring	1	\$14.32
8	VS30101SS	SS Handle Stop	1	\$33.22
9	VS30102SS	SS Handle Lock	1	\$12.33
10	VS30151SS	SS Stem	1	\$54.65
11	VS30153SS	Stainless Steel Handle	1	\$46.08
12	VS35258	3" Stubby Seat	2	\$23.57
13	VS35278	3" FP Stubby End Plate	1	\$33.16
15	VSS30020	Stainless Steel Handle Nut	1	\$4.39
16	V25060	Thrust Bearing	1	\$2.19
17	VS30021	Washer	1	\$4.39

REPLACEMENT PARTS MVSF300HSFP				
ITEM	PART NO	DESCRIPTION	QTY	PRICE
14	VSF35254	3" FP Stubby Body	1	\$52.65

REPLACEMENT PARTS MVS300HSFP				
ITEM	PART NO	DESCRIPTION	QTY	PRICE
14	MVS35254	3" FP Stubby Body	1	\$35.31

REPLACEMENT PARTS MVSMT300HSFP				
ITEM	PART NO	DESCRIPTION	QTY	PRICE
14	VSMT35256	3" FP Stubby Body	1	\$48.17

3-Way Manifold Ball Valves

FEATURES

- Stainless steel bolts.
- Precision molded in polypropylene. Polypropylene is reinforced with fiberglass for additional strength.
- Self-aligning ball moves freely against the PTFE seats for smooth operation.
- The valve opens and closes with very little pressure on the handle.
- Ball is diamond turned, after molding, to make it spherically perfect, which provides precise contact between ball and seats.
- PTFE self-lubricating stem bushings and seats cannot stick or bind.
- Maximum operating pressure 100 P.S.I.
- FKM (viton type) seals.



MV100BL



MV200BL



MV220BL

4 BOLT BOTTOM LOAD MANIFOLD VALVES							
PART NO	DESCRIPTION	MAX PSI	FLANGE SIZE	OPENING THRU BALL	HANDLE TYPE	QTY	PRICE
MV100BL	1" Manifold Flanged Valve	100	1"	1"	T	18/box	\$59.61
MV200BL	2" Manifold Flanged Valve	100	2"	1½"	T	12/box	\$77.08
MV220BL	2" Full Port Manifold Flanged Valve	100	2"	2"	Straight	8/box	\$122.04

BOTTOM LOAD: Directional flow right or left. Valve can be turned off to stop flow.

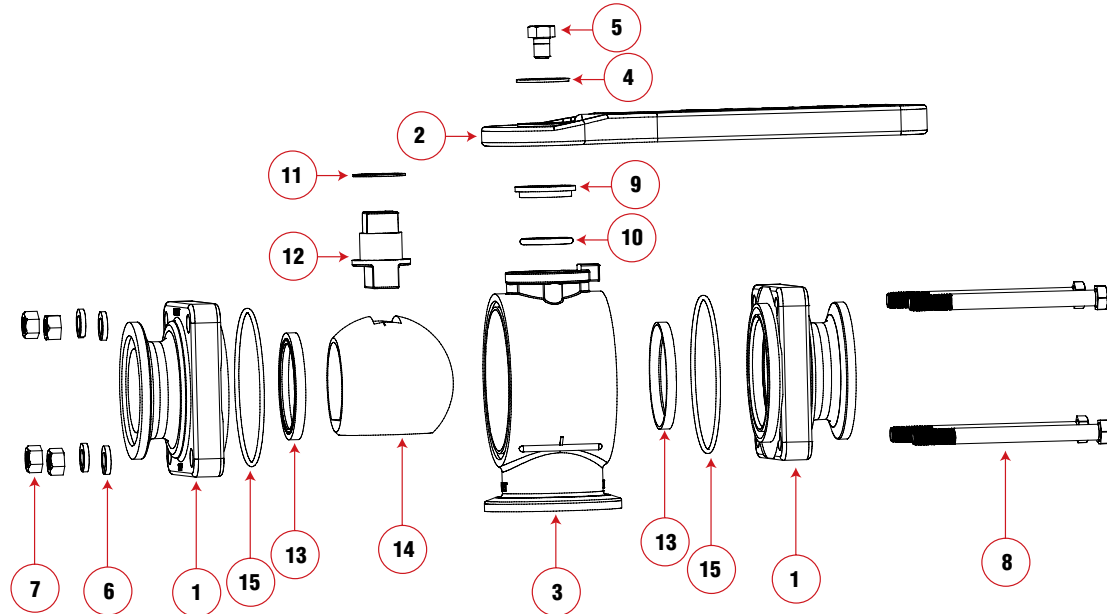


MV300BL



6 BOLT BOTTOM LOAD MANIFOLD VALVES							
PART NO	DESCRIPTION	MAX PSI	FLANGE SIZE	OPENING THRU BALL	HANDLE TYPE	QTY	PRICE
MV300BL	3" Full Port Manifold Flanged Valve	100	3"	3"	Straight	4/box	\$327.15

BOTTOM LOAD: Directional flow right or left. Valve can be turned off to stop flow.



REPLACEMENT PARTS MV100BL				
ITEM	PART NO	DESCRIPTION	QTY	PRICE
1	VE10278A	1" Manifold End Plate	2	\$9.28
2	V10353TB	Handle	1	\$4.48
3	MV10354B	1" Manifold Body	1	\$19.52
4	V07021A	Handle Washer	1	\$0.44
5	V10020A	Handle Bolt	1	\$1.07
6	V10118	Lock Washer	4	\$0.44
7	V10119	Body Nut	4	\$0.58
8	V10117	Body Bolt	4	\$1.44
9	V10159	Upper Stem Bushing	1	\$2.61
10	V10163	FKM (viton type) Stem O-Ring	1	\$2.19
11	V10060	Thrust Bushing	2	\$1.59
12	V10151A	Stem	1	\$4.48
13	VE10258A	Seat	2	\$10.33
14	V10355B	Bottom Load Ball	1	\$7.37
15	VE10264	Body O-Ring	2	\$6.29
16	V20353C	Handle Cap	1	\$2.19

REPLACEMENT PARTS MV220BL				
ITEM	PART NO	DESCRIPTION	QTY	PRICE
1	V25378	2" Manifold End Plate	2	\$19.23
2	V25353B	Straight Handle	1	\$13.71
2	MV25353TB	T Handle	1	\$13.71
3	MV25354B	2" Manifold Body	1	\$27.32
4	V25121	Handle Washer	1	\$0.58
5	V25020	Handle Bolt	1	\$1.79
6	V20018	Lock Washer	4	\$0.44
7	V20019	3/8" 16 SS Hex Nut	4	\$1.07
8	V25017	Body Bolt	4	\$2.46
9	V25160	Upper Stem Bushing	1	\$4.32
10	V25163	FKM (viton type) Stem O-Ring	1	\$3.75
11	V25060	Thrust Bushing	1	\$2.19
12	V25151B	Stem	1	\$13.73
13	V25258	Seat	2	\$12.13
14	V25355B	Bottom Load Ball	1	\$16.03
15	V25264	Body O-Ring	2	\$10.21

REPLACEMENT PARTS MV200BL				
ITEM	PART NO	DESCRIPTION	QTY	PRICE
1	V20394	2" Manifold End Plate	2	\$13.09
2	V20353TB	T Handle	1	\$8.97
3	MV20354B	2" Manifold Body	1	\$27.32
4	V20021	Handle Washer	1	\$0.44
5	V20020	Handle Bolt	1	\$0.88
6	V20018	Lock Washer	4	\$0.44
7	V20019	3/8" 16 SS Hex Nut	4	\$1.07
8	V20017	Body Bolt	4	\$1.79
9	V20159	Upper Stem Bushing	1	\$3.18
10	V20163	FKM (viton type) Stem O-Ring	1	\$2.74
11	V20060	Thrust Bushing	1	\$2.19
12	V20151M	Stem	1	\$8.97
13	VE20258A	Seat	2	\$10.85
14	V20355B	Bottom Load Ball	1	\$12.29
15	VE20264	Body O-Ring	2	\$6.27
16	V20353C	Handle Cap	1	\$2.19

REPLACEMENT PARTS MV300BL				
ITEM	PART NO	DESCRIPTION	QTY	PRICE
1	MV35278	3" Manifold End Plate	2	\$52.08
2	V25353B	Straight Handle	1	\$13.71
3	MV35254BL	3" Full Port Manifold Body	1	\$60.76
4	V25121	Handle Washer	1	\$0.58
5	V25020	Handle Bolt	1	\$1.79
6	V20018	Lock Washer	6	\$0.44
7	V20019	3/8" 16 SS Hex Nut	6	\$1.07
8	V35018	Body Bolt	6	\$10.40
9	V25160	Upper Stem Bushing	1	\$4.32
10	V25163	FKM (viton type) Stem O-Ring	1	\$3.75
11	V25060	Thrust Bushing	1	\$2.19
12	V25151B	Stem	1	\$13.73
13	V35258A	Seat	2	\$21.33
14	V35255BL	Bottom Load Ball	1	\$16.04
15	V35264BL	Body O-Ring	2	\$10.28

Accessories for valves on page 12. If not listed, no optional handle is available.

3-Way Manifold Ball Valves

FEATURES

- Stainless steel bolts.
- Precision molded in polypropylene. Polypropylene is reinforced with fiberglass for additional strength.
- Self-aligning ball moves freely against the PTFE seats for smooth operation.
- The valve opens and closes with very little pressure on the handle.
- Ball is diamond turned, after molding, to make it spherically perfect, which provides precise contact between ball and seats.
- PTFE self-lubricating stem bushings and seats cannot stick or bind.
- Maximum operating pressure 100 P.S.I.
- FKM (viton type) seals.



MV100SL



MV200SL



MV220SL

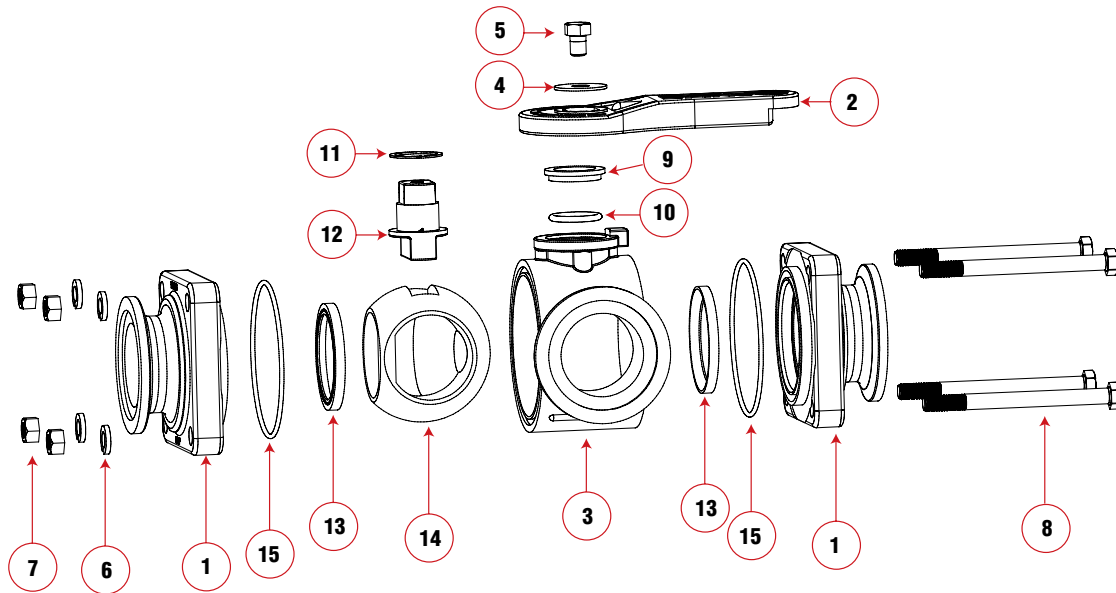


MVT220SL

4 BOLT SIDE LOAD MANIFOLD VALVES							
PART NO	DESCRIPTION	MAX PSI	FLANGE SIZE	OPENING THRU BALL	HANDLE TYPE	QTY	PRICE
MV100SL	1" Manifold Flanged Valve	100	1"	1"	T	18/box	\$59.61
MV200SL	2" Manifold Flanged Valve	100	2"	1½"	Straight	10/box	\$77.08
MV220SL	2" Full Port Manifold Flanged Valve	100	2"	2"	Straight	8/box	\$122.04
MVT220SL*	2" Full Port Manifold Flanged Valve	100	2"	2"	T	8/box	\$122.04

SIDE LOAD: Directional flow right or left. Valve cannot be turned off.

* Non-Stock Item



REPLACEMENT PARTS MV100SL				
ITEM	PART NO	DESCRIPTION	QTY	PRICE
1	VE10278A	1" Manifold End Plate	2	\$9.28
2	V10353TS	T Handle	1	\$4.48
3	MV10354S	1" Manifold Body	1	\$19.52
4	V07021A	Handle Washer	1	\$0.44
5	V10020A	Handle Bolt	1	\$1.07
6	V10118	Lock Washer	4	\$0.44
7	V10119	Body Nut	4	\$0.58
8	V10117	Body Bolt	4	\$1.44
9	V10159	Upper Stem Bushing	1	\$2.61
10	V10163	FKM (viton type) Stem O-Ring	1	\$2.19
11	V10060	Thrust Bushing	1	\$1.59
12	V10151A	Stem	1	\$4.48
13	VE10258A	Seat	2	\$10.33
14	V10355S	Side Load Ball	1	\$7.37
15	VE10264	Body O-Ring	2	\$6.29
16	V20353C	Handle Cap	1	\$2.19

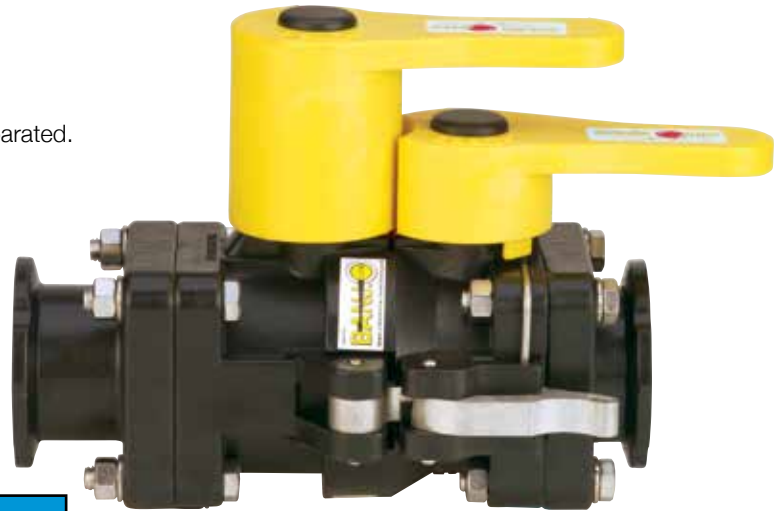
REPLACEMENT PARTS MV200SL				
ITEM	PART NO	DESCRIPTION	QTY	PRICE
1	V20394	2" Manifold End Plate	2	\$13.09
2	V20153SH	Straight Handle	1	\$8.97
3	MV20354S	2" Manifold Body	1	\$27.32
4	V20021	Handle Washer	1	\$0.44
5	V20020	Handle Bolt	1	\$0.88
6	V20018	Lock Washer	4	\$0.44
7	V20019	3/8" 16 SS Hex Nut	4	\$1.07
8	V20017	Body Bolt	4	\$1.79
9	V20159	Upper Stem Bushing	1	\$3.18
10	V20163	FKM (viton type) Stem O-Ring	1	\$2.74
11	V20060	Thrust Bushing	1	\$2.19
12	V20151M	Stem	1	\$8.97
13	VE20258A	Seat	2	\$10.85
14	V20355S	Side Load Ball	1	\$12.29
15	VE20264	Body O-Ring	2	\$6.27

REPLACEMENT PARTS MV220SL & MVT220SL				
ITEM	PART NO	DESCRIPTION	QTY	PRICE
1	V25378	2" Manifold End Plate	2	\$19.23
2	V25153SH	Straight Handle	1	\$13.71
2	V25353TS	T Handle (MVT220SL)	1	\$13.71
3	MV25354S	2" Manifold Body	1	\$27.32
4	V25121	Handle Washer	1	\$0.58
5	V25020	Handle Bolt	1	\$1.79
6	V20018	Lock Washer	4	\$0.44
7	V20019	3/8" 16 SS Hex Nut	4	\$1.07
8	V25017	Body Bolt	4	\$2.46
9	V25160	Upper Stem Bushing	1	\$4.32
10	V25163	FKM (viton type) Stem O-Ring	1	\$3.75
11	V25060	Thrust Bushing	1	\$2.19
12	V25151B	Stem	1	\$13.73
13	V25258	Seat	2	\$12.13
14	V25355S	Side Load Ball	1	\$16.03
15	V25264	Body O-Ring	2	\$10.21

Manifold Dry Disconnect

FEATURES

- Lightweight.
- Unrestricted flow.
- Minimal fluid spillage.
- Easy to use.
- Economical.
- Reduces risk of exposure.
- Wide range of chemical resistance.
- Cannot be uncoupled in open position.
- Handles cannot be opened after male and female are separated.
- 100 P.S.I. maximum operating pressure.



MALE

FEMALE

Note: Male & female sold separately. Replacement parts for 2" manifold Dry-Mate on page 95.

2" MANIFOLD DRY DISCONNECT						
PART NO	DESCRIPTION	MAX PSI	FLANGE SIZE	OPENING THRU BALL	QTY	PRICE
DM200ACF	2" Flanged Male Dry-Mate w/ FKM (viton type) Seals	100	2"	1½"	1	\$241.76
DM200DCF	2" Flanged Female Dry-Mate w/ FKM (viton type) Seals	100	2"	1½"	1	\$258.42



3" MANIFOLD DRY DISCONNECT						
PART NO	DESCRIPTION	MAX PSI	FLANGE SIZE	OPENING THRU BALL	QTY	PRICE
DM300ACF	3" Flanged Male Dry-Mate w/ FKM(viton type) Seals	100	3"	3"	1	\$433.50
DM300DCF	3" Flanged Female Dry-Mate w/ FKM(viton type) Seals	100	3"	3"	1	\$484.50

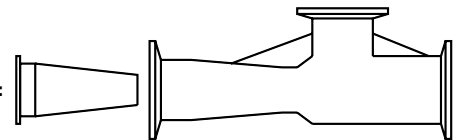
Polypropylene Inductors

FEATURES

- Threaded or manifold ends.
- Glass reinforced polypropylene.
- 1½" & 2" sizes available.



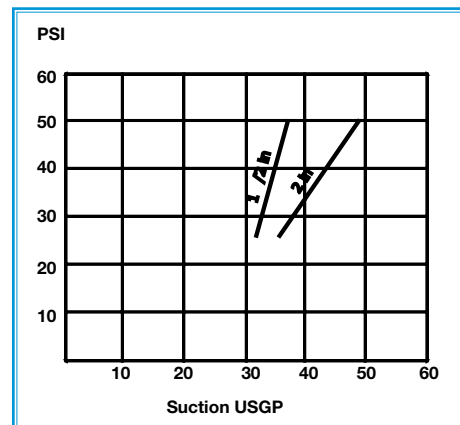
Each venturi comes in two pieces:



NOTE: The inductor is designed for use with a volume pump. Typical volumes and pressures used to operate the venturi would be in the 80 to 240 US GPM range at pressures from 26 to 52 P.S.I.

POLY INDUCTORS						
PART NO	DESCRIPTION	PRESSURE AT PUMP	VOLUME DRAW*	OPENING SIZE	QTY	PRICE
HV150	1½" MPT Poly Inductor	50 PSI	37 GPM	5/16"	1	\$120.79
HV200	2" MPT Poly Inductor	50 PSI	49 GPM	7/16"	1	\$120.79
MHV200	2" Manifold Poly Inductor with 1½" Port	50 PSI	37 GPM	5/16"	1	\$120.79
MHV220A	2" FP Manifold Poly Inductor	50 PSI	49 GPM	9/16"	1	\$133.53

*Note: US GPM. Tests done with water at ambient temperature. Pump used for test was a 2" Banjo (5 vane impeller) driven by a 5.5 hp Honda gas motor. Performance may vary depending on pump used & product being pumped.



MANIFOLD FLANGE CONNECTIONS Manifold Inductor System

FEATURES

- Installed after pump; suction completely empties inductor tank.
- Keeps tank free of chemicals.
- 2" & 3" full port flow.
- Easy assembly/installation with manifold connections.

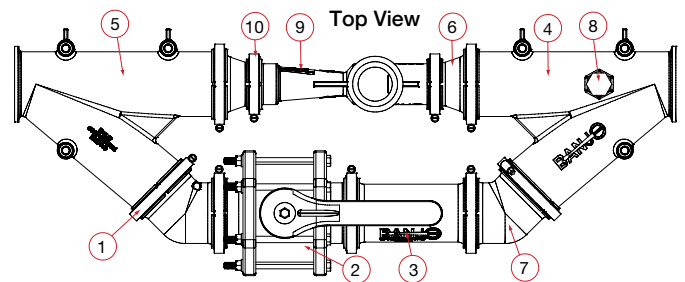
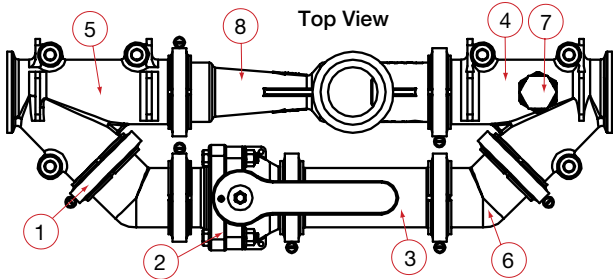
*Note: Tank not included.

Draws wettable powders or liquids from inductor tank for thorough chemical mixing!



MANIFOLD INDUCTOR SYSTEM				
PART NO	DESCRIPTION	QTY	PRICE	
MIS220	2" Full Port Flange x Flange-Assembled	1	\$551.65	
MIS300	3" Flange x Flange-Assembled	1	\$960.93	

Flanged fittings, clamps & gaskets on page 85.



REPLACEMENT PARTS MIS220				
ITEM	PART NO	DESCRIPTION	QTY	PRICE
1	FC220	220 Series Worm Screw Clamp	10	\$13.03
2	MVS220CF	2" FP Flange x 2" FP Flange	1	\$77.75
3	M220CPG6	2" x 2" Full Port Flange x 6"	1	\$19.15
4	M220YG45	2" Full Port 45° Y Flange w/ 3/4" gauge port*	1	\$72.23
5	M220Y45	2" Full Port 45° Y Flange	1	\$66.61
6	M220CPG45	2" Full Port 45° Coupling	2	\$16.44
7	PLUG075	3/4" Pipe Plug	1	\$2.90
8	MHV220A	2" Full Port MPT Poly Venturi	1	\$133.53
N/S	M221G	2" Full Port EPDM Manifold Gasket with Rib	7	\$2.09

REPLACEMENT PARTS MIS300				
ITEM	PART NO	DESCRIPTION	QTY	PRICE
1	FC300	300 Series Worm Screw Clamp	7	\$17.96
2	MV301CF	3" FP Flange x 3" FP Flange	1	\$204.29
3	M300CPG7	3" x 3" Full Port Flange x 7"	1	\$18.93
4	M300YG45	3" Full Port 45° Y Flange w/ 3/4" gauge port*	1	\$126.79
5	M300Y45	3" Full Port 45° Y Flange	1	\$121.34
6	M300220CPG	3" x 2" Full Port Reducer Flange	1	\$35.34
7	M300CPG45	3" Full Port 45° Coupling	2	\$67.25
8	PLUG075	3/4" Pipe Plug	1	\$2.90
9	MHV220A	2" Full Port MPT Poly Venturi	1	\$133.53
10	FC220	220 Series Worm Screw Clamp	3	\$13.03
N/S	M221G	2" Full Port EPDM Manifold Gasket with Rib	2	\$2.09
N/S	M301G	3" EPDM Manifold Gasket with Rib	7	\$2.26

Note: *Gauge not included.

MANIFOLD FLANGE CONNECTIONS

Flow Meters

FEATURES

- Displays overall total volume & batch total volume!
 - Flow rate allows for Gallons or Liters Per Minute.
 - The display reads 6 digits for Rate, 8 digits for Total and 1 decimal place reading in tenths.
 - Magnetic style meter with stainless steel electrodes.
 - Self calibrating meter.
 - Measures water and most conductive liquids*.
 - Easy to change six (6) AA batteries.
 - No moving parts to fail during use.
 - Glass-reinforced polypropylene.
 - Temperature range from 0°F to 150°F.
 - Accuracy is 99% from 2 to 110 GPM for 1".
 - Accuracy is 99% from 6 to 300 GPM for 2".
 - Accuracy is 99% from 14 to 670 GPM for 3".
 - There are 3 photoeyes located on the face of the flowmeter.
- Note:** These are not push buttons, to activate you must hold your finger over the photoeye for 2-4 seconds.

* Will not read petroleum based liquids.



FM100

110 GPM!



MFM100

300 GPM!

670 GPM!



MFM300



MFM220

FLOW METERS				
PART NO	DESCRIPTION	MAX PSI	QTY	PRICE
FM100	1" Full Port Female NPT Flow Meter	150	1	\$1,163.03
MFM100	1" Full Port Manifold Flow Meter	150	1	\$1,163.03
MFM220	2" Full Port Manifold Flow Meter	150	1	\$1,321.49
MFM300	3" Full Port Manifold Flow Meter	150	1	\$1,658.53

Note: It is recommended to have at least 10x the diameter of straight pipe before and after the flow meter.



Note: Please see Flange Clamps and Gaskets page 85.

Sweeps



FEATURES

- Direct replacement for standard 90° flanged couplings.
- Positive seals.
- Quick & easy assembly.
- Easy On/Off hose connections.
- 360° Orientation.
- 1" & 2" fittings pressure to 150 P.S.I. at 70°F.
- 3" fittings pressure to 125 P.S.I. at 70°F.



M100SWP90



M200SWP90



M100125BRBSWP90



M100BRBSWP90



M220200SWP90



M220ASWP90



M220BRBSWP90



M220MPTSWP90



M220SWP90



M220SWP90SS



M300ASWP90



M300BRBSWP90



M300MPTSWP90



M300SWP90



M100125BRBSWPG90



M100BRBSWPG90



M100SWPG90



M300ASWPG90



M300MPTSWPG90



M300SWPG90

SWEEPS			
PART NO	DESCRIPTION	QTY	PRICE
M100125BRBSWP90	1" Flange x 1 1/4" Hose Shank Sweep	1	\$16.01
M100BRBSWP90	1" Flange x Hose Shank Sweep	1	\$14.16
M100SWP90	1" Flange x Flange Sweep	1	\$13.01
M200SWP90	2" Flange x Flange Sweep	1	\$14.78
M220200SWP90	2" Full Port Flange x 2" Flange Sweep	1	\$15.97
M220ASWP90	2" Full Port Flange x Male Adapter Sweep	1	\$15.02
M220BRBSWP90	2" Full Port Flange x Hose Shank Sweep	1	\$35.45
M220MPTSWP90	2" Full Port Flange x Male NPT Thread Sweep	1	\$15.02
M220SWP90	2" Full Port Flange x Flange Sweep	1	\$15.02
M220SWP90SS	2" Full Port SS Flange x Flange Sweep	1	\$114.93
M300ASWP90	3" Flange x Male Adapter Sweep	1	\$68.91
M300BRBSWP90	3" Flange x Hose Shank Sweep	1	\$68.91
M300MPTSWP90	3" Flange x Male NPT Thread Sweep	1	\$68.91
M300SWP90	3" Flange x Flange Sweep	1	\$68.91

SWEEPS w/Gauge Port			
PART NO	DESCRIPTION	QTY	PRICE
M100125BRBSWPG90	1" Full Port Flange x 1 1/4" Hose Shank Sweep w/ 1/4" gauge port	1	\$15.88
M100BRBSWPG90	1" Full Port Flange x 1" Hose Shank Sweep w/ 1/4" gauge port	1	\$16.20
M100SWPG90	1" Flange x Flange Sweep with 1/4" gauge port	1	\$16.20
M300ASWPG90	3" Flange x Male Adapter Sweep w/ 1/4" gauge port	1	\$68.91
M300MPTSWPG90	3" Flange x Male NPT Thread Sweep w/ 1/4" gauge port	1	\$68.91
M300SWPG90	3" Flange x Flange Sweep w/ 1/4" gauge port	1	\$68.91

Boom Nozzle Pipe Adapter

FEATURES

- Eliminates having to thread pipe.
- Quick and easy assembly.
- No welding necessary.
- 360° orientation.



BOOM NOZZLE PIPE ADAPTER

PART NO	DESCRIPTION	QTY	PRICE
M100PA	1" Flanged Pipe Adapter	1	\$44.94
M100PAC	1" Flanged Pipe Adapter Cap	1	\$42.80
M100PAT	1" Flanged Pipe Adapter Tee	1	\$54.96

Manifold Fittings



MANIFOLD SWIVEL

PART NO	DESCRIPTION	MAX PSI	QTY	PRICE
MSW220	2" Full Port Manifold Flange Swivel	75	1	\$37.92



FLANGE x PVC GLUE SOCKET FITTING

PART NO	DESCRIPTION	QTY	PRICE
M101GSA	1" Manifold Flange x 1" PVC Glue Socket Fitting	1	\$8.73
M221GSA	2" Manifold Full Port Flange x 2" PVC Glue Socket Fitting	1	\$13.73
M301GSA	3" Manifold Full Port Flange x 3" PVC Glue Socket Fitting	1	\$21.54



FLANGED POLY CHECK VALVES

PART NO	DESCRIPTION	MAX PSI	FLOW	QTY	PRICE
MCV100	1" Flanged Poly Check Valve	150	1"	1	\$17.03
MCV200	2" Flanged Poly Check Valve	150	1 1/2"	1	\$22.03
MCV221	2" Full Port Flanged Poly Check Valve	150	2"	1	\$29.04
MCV300	3" Flanged Poly Check Valve	150	3"	1	\$44.21



FLANGE x SOCKET WELD - 316SS

PART NO	DESCRIPTION	QTY	PRICE
M100SWFSS	1" Flange x 1" Socket Weld Fitting	1	\$24.28
M104SWFSS	1" Flange x 1" Socket Weld Fitting x 4"	1	\$116.70
M200SWFSS	2" Flange x 2" Socket Weld Fitting	1	\$76.31
M220SWFSS	2" Full Port Flange x 2" Socket Weld Fitting	1	\$72.88
M220375SWFSS	2" Full Port Flange x 2" Socket Weld Fitting x 3 3/4"	1	\$116.46
M300SWFSS	3" Flange x 3" Socket Weld Fitting	1	\$121.43
M300375SWFSS	3" Flange x 3" Socket Weld Fitting x 3 3/4"	1	\$209.63



FLANGED COUPLINGS				
PART NO	DESCRIPTION	QTY	PRICE	
M100CPG	1" x 1" Flange x 2 1/4" Long	10	\$5.07	
M200CPG	2" x 2" Flange x 4 1/2" Long	1	\$13.34	
M220CPG	2" x 2" Full Port Flange x 2 31/32"	1	\$14.99	
M220CPG6	2" x 2" Full Port Flange x 6" Long	1	\$19.15	
M300CPG	3" x 3" Full Port Flange x 4" Long	1	\$17.67	
M300CPG7	3" x 3" Full Port Flange x 7" Long	1	\$18.93	



FLANGED REDUCER COUPLINGS				
PART NO	DESCRIPTION	QTY	PRICE	
M200100CPG	2" Port x 1" Reducer Flange	10	\$15.15	
M220100CPG	2" Full Port x 1" Reducer Flange	1	\$15.15	
M220200CPG	2" Full Port x 2" Reducer Flange	1	\$15.15	
M300200CPG	3" x 2" Port Reducer Flange	1	\$35.34	
M300220CPG	3" x 2" Full Port Reducer Flange	1	\$35.34	



45° FLANGED COUPLINGS				
PART NO	DESCRIPTION	QTY	PRICE	
M100CPG45	1" x 1" 45° Flange	10	\$10.51	
M200CPG45	2" x 2" 45° Flange	10	\$13.65	
M220CPG45	2" x 2" 45° Full Port Flange	1	\$16.44	
M300CPG45	3" x 3" 45° Full Port Flange	1	\$67.25	



FLANGED TEE				
PART NO	DESCRIPTION	QTY	PRICE	
M100TEE	1" Flanged Tee	10	\$6.51	
M101TEE	1" Flanged Tee - Long	10	\$6.51	
M200100TEE	2" Port x 1" Flanged Tee	1	\$13.12	
M200TEE	2" Port Flanged Tee	1	\$13.69	
M200100TEEB	2" x 1" Port Flanged Tee w/Mounting Bracket	1	\$19.19	
M220100TEE	2" Full Port Flanged Tee x 1" Flanged Tee	1	\$13.85	
M220200TEE	2" Full Port Flanged Tee x 2" Flanged Tee	1	\$21.43	
M220TEE	2" Full Port Flanged Tee	1	\$13.69	
M300TEE	3" Flanged Tee	1	\$64.54	



90° FLANGED COUPLINGS				
PART NO	DESCRIPTION	QTY	PRICE	
M100CPG90	1" x 1" 90° Flange	10	\$7.08	
M200CPG90	2" x 2" 90° Flange	1	\$11.83	
M200CPG90SH	2" x 2" 90° Short Flange	1	\$11.83	
M220CPG90	2" x 2" 90° Full Port Flange	1	\$11.83	
M300CPG90	3" x 3" 90° Full Port Flange	1	\$56.23	



U BOLTS-SS				
PART NO	DESCRIPTION	QTY	PRICE	
UB100	100 Series Mounting U Bolt	1	\$7.95	
UB202	200 Series Mounting U Bolt	1	\$24.97	
UB220	220 Series Mounting U Bolt	1	\$26.36	



45° Y FLANGED COUPLINGS				
PART NO	DESCRIPTION	QTY	PRICE	
M220Y45	2" Full Port 45° Y Flange	10	\$66.61	
M200YG45	2" 45° Y Flange w/ 3/4" gauge port*	10	\$68.63	
M220YG45	2" Full Port 45° Y Flange w/ 3/4" gauge port*	10	\$72.23	
M300Y45	3" Full Port 45° Y Flange	1	\$121.34	
M300YG45	3" Full Port 45° Y Flange w/ 3/4" gauge port*	1	\$126.79	



Note: *Gauge not included.



MANIFOLD BUTT WELD ADAPTER				
PART NO	DESCRIPTION	QTY	PRICE	
M220BWASS	2" Full Port Stainless Steel Manifold Butt Weld Adapter	1	\$77.01	



BUTT WELD PIPE SWEEP				
PART NO	DESCRIPTION	QTY	PRICE	
BW220SWP90SS	2"90° Full Port Stainless Steel Butt Weld Pipe Sweep	1	\$65.28	

Manifold Fittings

FEATURES

- Positive seals.
- Quick & easy assembly.
- Easy On/Off hose connections.
- 360° Orientation.
- 1" & 2" fittings pressure to 150 P.S.I. at 70°F.
- 3" fittings pressure to 125 P.S.I. at 70°F.

FLANGE x MALE BSP (BRITISH STANDARD PIPE)

PART NO	DESCRIPTION	QTY	PRICE
M100BSP	1" Manifold Flange x 1" Male BSP	10	\$2.17
M200BSP	2" Manifold Flange x 2" Male BSP	10	\$4.48
M220BSP	2" Full Port Manifold Flange x 2" Male BSP	10	\$4.48
M300BSP	3" Full Port Manifold Flange x 3" Male BSP	1	\$13.69

FLANGE x FEMALE NPT THREAD

PART NO	DESCRIPTION	QTY	PRICE
M100050FPT	1" Flange x 1/2" Pipe Thread	10	\$2.17
M100075FPT	1" Flange x 3/4" Pipe Thread	10	\$2.17
M100FPT	1" Flange x 1" Pipe Thread	10	\$4.10
M200FPT	2" Flange x 2" Pipe Thread	1	\$12.98
M220FPT	2" Full Port Flange x 2" Pipe Thread	1	\$23.01
M300FPT	3" Flange x 3" Pipe Thread	1	\$37.06

FLANGE x NPT THREAD

PART NO	DESCRIPTION	QTY	PRICE
M100075MPT	1" Flange x 3/4" Male Thread	10	\$2.17
M100MPT	1" Flange x 1" Male Thread	10	\$2.17
M100125MPT	1" Flange x 1 1/4" Male Thread	10	\$2.17
M200125MPT	2" Flange x 1 1/4" Male Thread	10	\$4.48
M200150MPT	2" Flange x 1 1/2" Male Thread	10	\$4.48
M200MPT	2" Flange x 2" Male Thread	1	\$4.48
M220MPT	2" Full Port Flange x 2" Male Thread	1	\$4.48
M300MPT	3" Flange x 3" Male Thread	1	\$13.69

FLANGE x MALE NPT THREAD -316SS

PART NO	DESCRIPTION	QTY	PRICE
M100MPTSS	1" Flange x 1" Male Thread	1	\$24.28
M200125MPTSS	2" Flange x 1 1/4" Male Thread	1	\$37.96
M200150MPTSS	2" Flange x 1 1/2" Male Thread	1	\$37.96
M200MPTSS	2" Flange x 2" Male Thread	1	\$48.06
M220150MPTSS	2" Full Port Flange x 1 1/2" Male Thread	1	\$55.15
M220MPTSS	2" Full Port Flange x 2" Male Thread	1	\$55.15
M300220MPTSS	3" Flange x 2" Full Port Male Thread	1	\$114.03
M300MPTSS	3" Flange x 3" Male Thread	1	\$101.80

FLANGE PLUGS (SOLID & W/GAUGE PORT)

PART NO	DESCRIPTION	QTY	PRICE
M100PLG	1" Flange Plug	10	\$2.17
M200PLG	2" Flange Plug	10	\$4.48
M220PLG	2" Full Port Flange Plug	10	\$5.68
M300PLG	3" Flange Plug	10	\$15.15
M100PLG025	1" Flange Plug with 1/4" FPT	10	\$11.53
M100PLG050	1" Flange Plug with 1/2" FPT	10	\$11.54
M200PLG018	2" Flange Plug with 1/8" FPT	10	\$13.56
M200PLG025	2" Flange Plug with 1/4" FPT	10	\$13.56
M200PLG038	2" Flange Plug with 3/8" FPT	10	\$13.56
M200PLG050	2" Flange Plug with 1/2" FPT	10	\$13.56
M200PLG075	2" Flange Plug with 3/4" FPT	10	\$13.56
M200PLG100	2" Flange Plug with 1" FPT	10	\$13.56
M220PLG075	2" Full Port Flange Plug with 3/4" FPT	10	\$22.72
M300PLG075	3" Flange Plug with 3/4" FPT	10	\$24.51
M300PLG100	3" Flange Plug with 1" FPT	10	\$25.26

FLANGE x FEMALE QDC

PART NO	DESCRIPTION	QTY	PRICE
M220D	2" Full Port Flange x 2" Female Coupler	1	\$22.89
M303D	3" Full Port Flange x 3" Female Coupler w/3 Arms	1	\$43.92

FLANGE x MALE QDC

PART NO	DESCRIPTION	QTY	PRICE
M100A	1" Flange x 1" Male Adapter	10	\$6.17
M200A	2" Flange x 2" Male Adapter	10	\$8.24
M220A	2" Full Port Flange x 2" Male Adapter	10	\$9.07
M300A	3" Full Port Flange x 3" Male Adapter	1	\$19.32

FLANGE x HOSE BARB

PART NO	DESCRIPTION	QTY	PRICE
M100075BRB	1" Flange x 3/4" Hose Barb	10	\$1.89
M100BRB	1" Flange x 1" Hose Barb	10	\$1.89
M100125BRB	1" Flange x 1 1/4" Hose Barb	10	\$1.89
M200100BRB	2" Flange x 1" Hose Barb	10	\$5.07
M200125BRB	2" Flange x 1 1/4" Hose Barb	10	\$5.76
M200150BRB	2" Flange x 1 1/2" Hose Barb	10	\$5.07
M200BRB	2" Flange x 2" Hose Barb	10	\$5.07
M220100BRB	2" Full Port Flange x 1" Hose Barb	1	\$5.07
M220125BRB	2" Full Port Flange x 1 1/4" Hose Barb	1	\$5.07
M220150BRB	2" Full Port Flange x 1 1/2" Hose Barb	1	\$5.07
M220250BRB	2" Full Port Flange x 2 1/2" Hose Barb	1	\$7.86
M220BRB	2" Full Port Flange x 2" Hose Barb	1	\$5.07
M300220BRB	3" Flange x 2" Hose Barb	1	\$15.59
M300BRB	3" Flange x 3" Hose Barb	1	\$15.49

FLANGE x 90° HOSE BARB ELBOW



PART NO	DESCRIPTION	QTY	PRICE
M100075BRB90	1" Flange x 3/4" 90° Hose Barb Elbow	10	\$2.28
M100BRB90	1" Flange x 1" 90° Hose Barb Elbow	10	\$2.28
M100125BRB90	1" Flange x 1 1/4" 90° Hose Barb Elbow	10	\$2.28
M100150BRB90	1" Flange x 1 1/2" 90° Hose Barb Elbow	10	\$16.94
M200100BRB90	2" Flange x 1" 90° Hose Barb Elbow	10	\$9.38
M200125BRB90	2" Flange x 1 1/4" 90° Hose Barb Elbow	10	\$9.38
M200150BRB90	2" Flange x 1 1/2" 90° Hose Barb Elbow	10	\$9.38
M200BRB90	2" Flange x 2" 90° Hose Barb Elbow	10	\$9.38
M220150BRB90	2" Full Port Flange x 1 1/2" 90° Hose Barb Elbow	1	\$9.38
M220BRB90	2" Full Port Flange x 2" 90° Hose Barb Elbow	1	\$9.38
M300220BRB90	3" Flange x 2" 90° Hose Barb Elbow	1	\$15.49
M300BRB90	3" Flange x 3" 90° Hose Barb Elbow	1	\$41.44

FLANGE x 45° HOSE BARB ELBOW



PART NO	DESCRIPTION	QTY	PRICE
M100BRB45	1" Flange x 1" 45° Hose Barb Elbow	10	\$13.87
M200BRB45	2" Flange x 2" 45° Hose Barb Elbow	10	\$19.59
M220BRB45	2" Full Port Flange x 2" 45° Hose Barb Elbow	10	\$20.77
M300BRB45	3" Flange x 3" 45° Hose Barb Elbow	10	\$72.43

FLANGE x 45° HOSE BARB ELBOW



PART NO	DESCRIPTION	QTY	PRICE
M200150BRB45	2" Flange x 1 1/2" 45° Hose Barb Elbow	10	\$16.70

FLANGE x HOSE BARB TEE



PART NO	DESCRIPTION	QTY	PRICE
M100100HBT	1" Flange x 1" Hose Barb Tee	10	\$8.10
M100125HBT	1" Flange x 1 1/4" Hose Barb Tee	10	\$9.96
M220200HBT	2" Full Port Flange x 2" Hose Barb Tee	1	\$15.00
M300300HBT	3" Flange x 3" Hose Barb Tee	1	\$32.69

FLANGED CROSS



PART NO	DESCRIPTION	QTY	PRICE
M100CR	1" Flanged Cross	10	\$19.09
M200CR	2" Flanged Cross	1	\$34.24
M220CR	2" Full Port Flanged Cross	1	\$34.24
M220CRSS	2" Full Port SS Flanged Cross	1	\$209.63
M300CR	3" Flanged Cross	1	\$75.74



Bolted
Teflon coated
SS nut



BOLTED FLANGE CLAMPS

PART NO	DESCRIPTION	TORQUE	QTY	PRICE
FC220B	2" Full Port Bolted Flange Clamp	150 in/lbs	1	\$45.26
FC300B	3" Bolted Flange Clamp	150 in/lbs	1	\$50.46



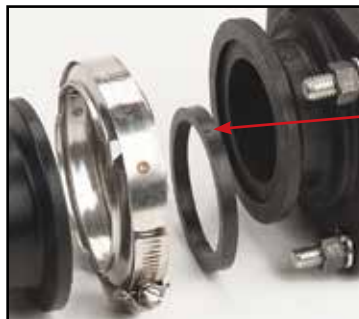
T-BOLT FLANGE CLAMPS

PART NO	DESCRIPTION	TORQUE	QTY	PRICE
FC220TB	2" Full Port Hi-Torque T-Bolt Flange Clamp	125 in/lbs	10	\$32.04
FC300TB	3" Full Port Hi-Torque T-Bolt Flange Clamp	125 in/lbs	10	\$33.47



FLANGE CLAMPS

PART NO	DESCRIPTION	TORQUE	QTY	PRICE
FC100	100 Series Worm Screw Clamp	50-60 in/lbs	10	\$10.30
FC200	200 Series Worm Screw Clamp	90-100 in/lbs	10	\$11.87
FC220	220 Series Worm Screw Clamp	90-100 in/lbs	10	\$13.03
FC300	300 Series Worm Screw Clamp	90-100 in/lbs	10	\$17.96



Rib keeps gasket in place during assembly.



FLANGE GASKETS

PART NO	DESCRIPTION	QTY	PRICE
M100G	1" EPDM Manifold Gasket	1	\$2.17
M101G*	1" EPDM Manifold Gasket with Rib	1	\$1.80
M100GV	100 Series FKM (viton type) Gasket	1	\$5.76
150G	1 1/2" EPDM Gasket	1	\$1.04
150GV	200 Series FKM (viton type) Gasket	1	\$11.51
200G	220 Series Full Port EPDM Gasket	1	\$1.10
200GV	220 Series Full Port FKM (viton type) Gasket	1	\$17.83
M201G*	2" EPDM Manifold Gasket with Rib	1	\$1.93
M221G*	2" Full Port EPDM Manifold Gasket with Rib	1	\$2.09
300G	3" EPDM Gasket	1	\$1.51
300GV	300 Series FKM (viton type) Gasket	1	\$24.48
M301G*	3" EPDM Manifold Gasket with Rib	1	\$2.26

Manifold T Line Strainers

FEATURES

- EPDM gaskets.
- 316 stainless steel screens.
- 150 P.S.I. maximum.



1" MANIFOLD T LINE STRAINERS				
PART NO	DESCRIPTION	MAX PSI	QTY	PRICE
MLST100-16	1" Manifold T Strainer w/16 Mesh Screen	150	1	\$42.51
MLST100-30	1" Manifold T Strainer w/30 Mesh Screen	150	1	\$42.51
MLST100-50	1" Manifold T Strainer w/50 Mesh Screen	150	1	\$42.51
MLST100-80	1" Manifold T Strainer w/80 Mesh Screen	150	1	\$42.51
MLST100-100	1" Manifold T Strainer w/100 Mesh Screen	150	1	\$42.51

2" MANIFOLD T LINE STRAINERS				
PART NO	DESCRIPTION	MAX PSI	QTY	PRICE
MLST150-16	2" Manifold T Strainer w/16 Mesh Screen	150	1	\$79.17
MLST150-30	2" Manifold T Strainer w/30 Mesh Screen	150	1	\$79.17
MLST150-50	2" Manifold T Strainer w/50 Mesh Screen	150	1	\$79.17
MLST150-80	2" Manifold T Strainer w/80 Mesh Screen	150	1	\$79.17
MLST150-100	2" Manifold T Strainer w/100 Mesh Screen	150	1	\$79.17

Manifold Y Line Strainers

FEATURES

- EPDM gaskets.
- 316 stainless steel screens.
- 150 P.S.I. maximum.



1" MANIFOLD Y LINE STRAINERS				
PART NO	DESCRIPTION	MAX PSI	QTY	PRICE
MLS100-20	1" Manifold Y Strainer w/20 Mesh Screen	150	1	\$38.88
MLS100-40	1" Manifold Y Strainer w/40 Mesh Screen	150	1	\$35.40
MLS100-50	1" Manifold Y Strainer w/50 Mesh Screen	150	1	\$40.05
MLS100-80	1" Manifold Y Strainer w/80 Mesh Screen	150	1	\$40.05

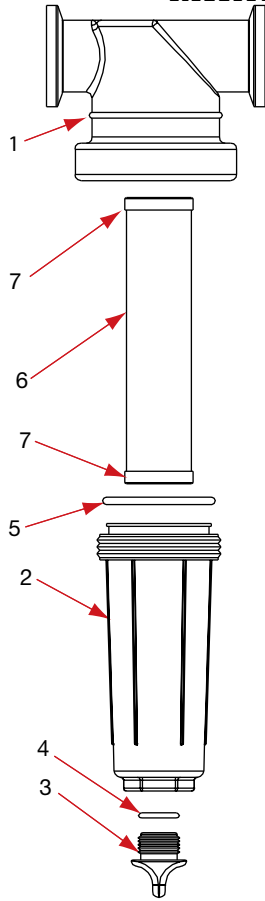
FEATURES

- EPDM gaskets.
- 316 stainless steel screens.
- 150 P.S.I. maximum.

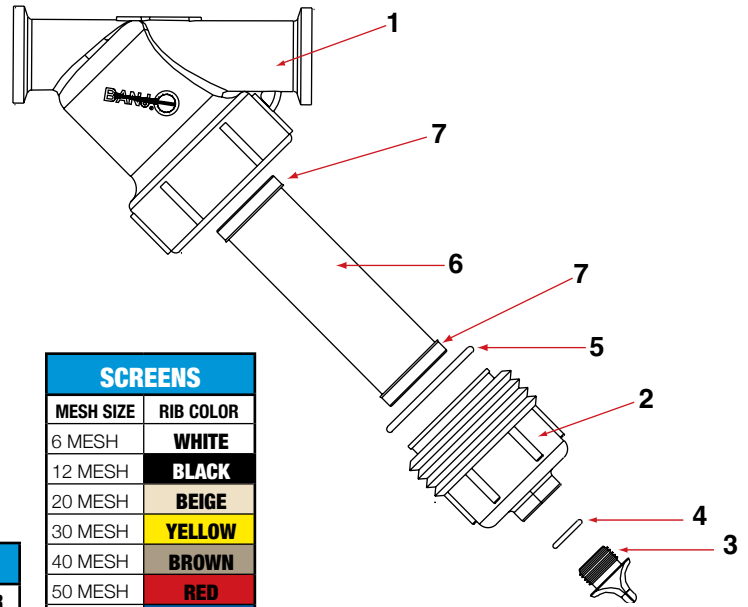


2" MANIFOLD Y LINE STRAINERS				
PART NO	DESCRIPTION	MAX PSI	QTY	PRICE
MLS200-06	2" Manifold Y Strainer w/6 Mesh Screen	150	1	\$90.98
MLS200-12	2" Manifold Y Strainer w/12 Mesh Screen	150	1	\$90.98
MLS200-20	2" Manifold Y Strainer w/20 Mesh Screen	150	1	\$90.98
MLS200-30	2" Manifold Y Strainer w/30 Mesh Screen	150	1	\$90.98
MLS200-50	2" Manifold Y Strainer w/50 Mesh Screen	150	1	\$90.98
NEW! MLS200-50M	2" Manifold Y Strainer w/Mounting Bracket w/50 Mesh Screen	150	1	\$100.16
MLS200-80	2" Manifold Y Strainer w/80 Mesh Screen	150	1	\$90.98
MLS200-100	2" Manifold Y Strainer w/100 Mesh Screen	150	1	\$90.98
MLS200-120	2" Manifold Y Strainer w/120 Mesh Screen	150	1	\$90.98





SCREENS	
MESH SIZE	RIB COLOR
16 MESH	GRAY
30 MESH	YELLOW
50 MESH	RED
80 MESH	BLUE
100 MESH	GREEN



SCREENS	
MESH SIZE	RIB COLOR
6 MESH	WHITE
12 MESH	BLACK
20 MESH	BEIGE
30 MESH	YELLOW
40 MESH	BROWN
50 MESH	RED
80 MESH	BLUE
100 MESH	GREEN
120 MESH	BLACK

REPLACEMENT PARTS MLST100				
ITEM	PART NO	DESCRIPTION	QTY	PRICE
1	MLST100-H	1" Flanged T Strainer Head	1	\$14.67
N/S	MLST100-HB	1" Flanged T Strainer (Includes 1-5)	1	\$25.92
2	LST100-B	1" Flanged T Strainer Bowl, Drain Plug & O-Ring	1	\$13.15
3	12777	1" Flanged T Strainer Plug	1	\$2.33
4	UV15163	1" Flanged T Strainer O-Ring	1	\$0.46
5	LST100-G	1" EPDM Gasket	1	\$3.46
5	LST100-GV	1" FKM (viton type) Gasket	1	\$7.35
6	LST116	16 Mesh Screen	1	\$18.21
6	LST130	30 Mesh Screen	1	\$18.21
6	LST150	50 Mesh Screen	1	\$18.21
6	LST180	80 Mesh Screen	1	\$18.21
6	LST1100	100 Mesh Screen	1	\$18.21
7	13778	3/4" EPDM O-Ring for Screen	2	\$1.94

REPLACEMENT PARTS MLS100				
ITEM	PART NO	DESCRIPTION	QTY	PRICE
1	MLS100B	1" Y Strainer Body	1	\$17.17
N/S	MLS100BC	1" Y Strainer Assembly (Includes items 1-5)	1	\$19.71
2	LS100-C1	1" Y Strainer Cap, Drain Plug & O-Ring	1	\$13.92
3	12777	1" Flanged Y Strainer Plug	1	\$2.33
4	UV15163	1" Flanged Y Strainer O-Ring	1	\$0.46
5	LS100-G	1" EPDM Gasket	1	\$3.46
6	LS120	20 Mesh Screen	1	\$21.59
6	LS140	40 Mesh Screen	1	\$21.59
6	LS150	50 Mesh Screen	1	\$21.59
6	LS180	80 Mesh Screen	1	\$21.59
7	LS125G	1" EPDM O-Ring for Screen	2	\$2.42

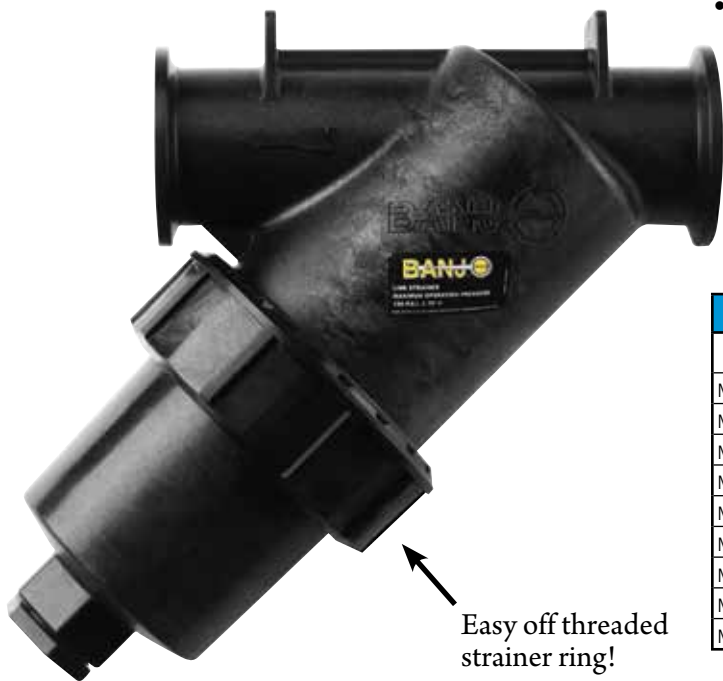
REPLACEMENT PARTS MLST150				
ITEM	PART NO	DESCRIPTION	QTY	PRICE
1	MLST150-H	1 1/2" Flanged T Strainer Head	1	\$30.92
N/S	MLST150-HB	1 1/2" Flanged T Strainer (Includes 1-5)	1	\$51.86
2	LST150-B	1 1/2" Flanged T Strainer Bowl, Drain Plug & O-Ring	1	\$21.66
3	LSQ200-PL	1 1/2" Flanged T Strainer Plug	1	\$2.77
4	LSQ200-R	1 1/2" Flanged T Strainer O-Ring	1	\$0.47
5	LST150-G	1 1/2" EPDM Gasket	1	\$3.87
5	LST150-GV	1 1/2" FKM (viton type) Gasket	1	\$8.89
6	LST1516	16 Mesh Screen	1	\$29.89
6	LST1530	30 Mesh Screen	1	\$29.89
6	LST1550	50 Mesh Screen	1	\$29.89
6	LST1580	80 Mesh Screen	1	\$29.89
6	LST15100	100 Mesh Screen	1	\$29.89
7	LST034G	1 1/2" EPDM O-Ring for Screen	2	\$2.89

REPLACEMENT PARTS MLS200				
ITEM	PART NO	DESCRIPTION	QTY	PRICE
1	MLS200B	2" Y Strainer Body	1	\$42.90
N/S	MLS200BC	2" Y Strainer Assembly (Includes items 1-5)	1	\$46.08
2	LS150-C	2" Y Strainer Cap, Drain Plug & O-Ring	1	\$22.03
3	LSQ200-PL	2" Flanged Y Strainer Plug	1	\$2.77
4	LSQ200-R	2" Flanged Y Strainer O-Ring	1	\$0.47
5	LS150-G	2" EPDM Gasket	1	\$3.46
5	LS150-GV	2" FKM (viton type) Gasket	1	\$11.59
6	LS206	6 Mesh Screen	1	\$44.20
6	LS212	12 Mesh Screen	1	\$44.20
6	LS220	20 Mesh Screen	1	\$44.20
6	LS230	30 Mesh Screen	1	\$44.20
6	LS250	50 Mesh Screen	1	\$44.20
6	LS280	80 Mesh Screen	1	\$44.20
6	LS2100	100 Mesh Screen	1	\$44.20
6	LS2120	120 Mesh Screen	1	\$44.20
6	LS2150	150 Mesh Screen	1	\$49.12
7	LS141G	2" EPDM O-Ring for Screen	2	\$3.51

Manifold Y Line Strainers

FEATURES

- EPDM gaskets.
- 316 stainless steel screens.
- 150 P.S.I. maximum.



Easy off threaded strainer ring!

2" FULL PORT MANIFOLD Y LINE STRAINERS

PART NO	DESCRIPTION	MAX PSI	QTY	PRICE
MLS222-04	2" Full Port Manifold Y Strainer w/4 Mesh Screen	150	1	\$138.87
MLS222-06	2" Full Port Manifold Y Strainer w/6 Mesh Screen	150	1	\$138.87
MLS222-08	2" Full Port Manifold Y Strainer w/8 Mesh Screen	150	1	\$138.87
MLS222-10	2" Full Port Manifold Y Strainer w/10 Mesh Screen	150	1	\$138.87
MLS222-16	2" Full Port Manifold Y Strainer w/16 Mesh Screen	150	1	\$138.87
MLS222-30	2" Full Port Manifold Y Strainer w/30 Mesh Screen	150	1	\$138.87
MLS222-50	2" Full Port Manifold Y Strainer w/50 Mesh Screen	150	1	\$138.87
MLS222-80	2" Full Port Manifold Y Strainer w/80 Mesh Screen	150	1	\$138.87
MLS222-100	2" Full Port Manifold Y Strainer w/100 Mesh Screen	150	1	\$138.87



Threaded end cap to remove screen!

FEATURES

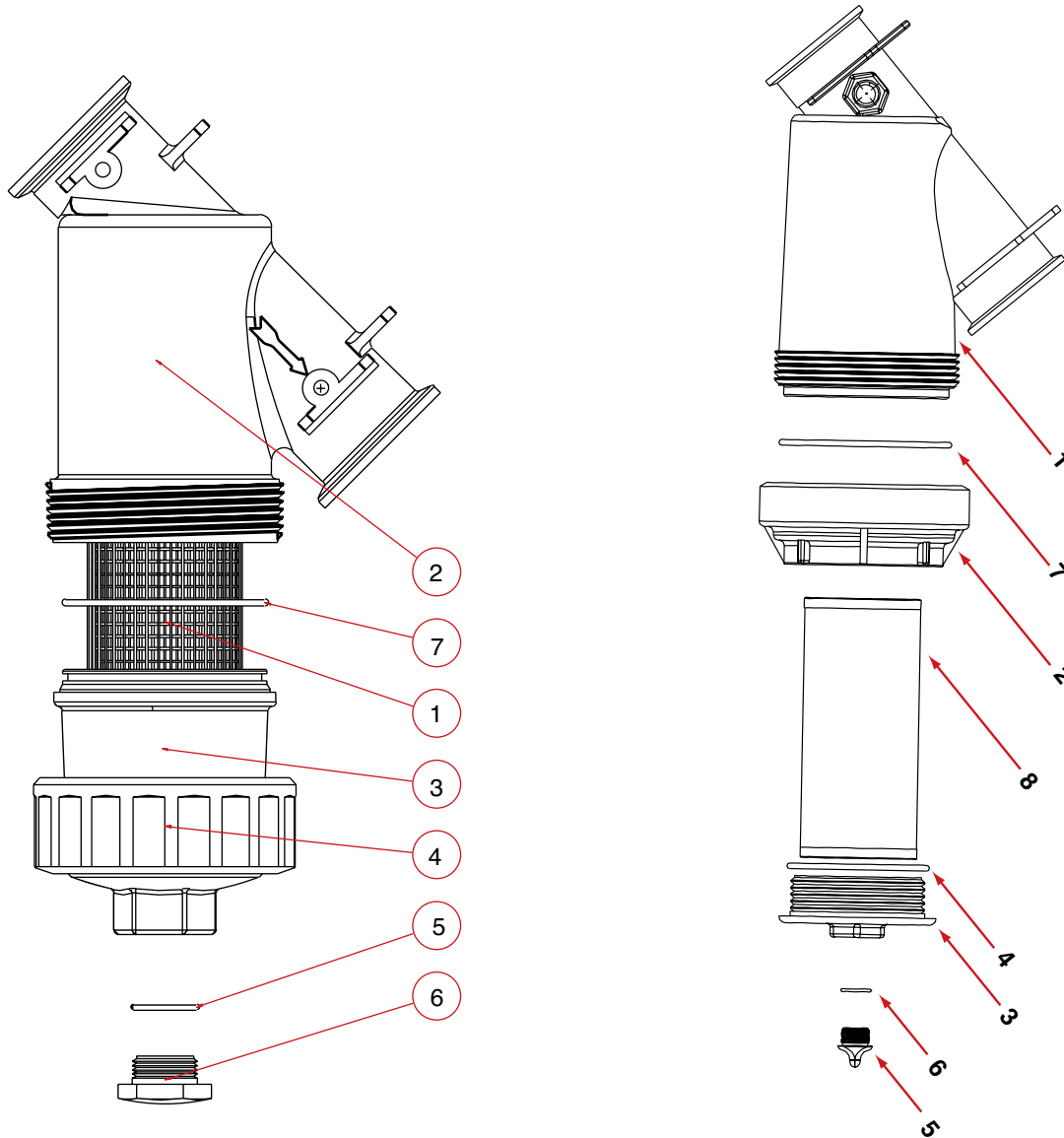
- EPDM gaskets.
- 304 stainless steel screens.
- 100 P.S.I. maximum.

3" MANIFOLD Y LINE STRAINERS

PART NO	DESCRIPTION	MAX PSI	QTY	PRICE
MLS300-04	3" Manifold Y Strainer w/4 Mesh Screen	100	1	\$507.71
MLS300-08	3" Manifold Y Strainer w/8 Mesh Screen	100	1	\$507.71
MLS300-12	3" Manifold Y Strainer w/12 Mesh Screen	100	1	\$507.71
MLS300-20	3" Manifold Y Strainer w/20 Mesh Screen	100	1	\$507.71
MLS300-50	3" Manifold Y Strainer w/50 Mesh Screen	100	1	\$507.71

***WARNING:** 3" Polypropylene "Y" Strainer to be used on suction side or non-pressure side in all applications.





REPLACEMENT PARTS MLS222

ITEM	PART NO	DESCRIPTION	QTY	PRICE
1	LST204SS	4 SS Mesh Screen	1	\$58.86
1	LST206SS	6 SS Mesh Screen	1	\$58.86
1	LST208SS	8 SS Mesh Screen	1	\$58.86
1	LST210SS	10 SS Mesh Screen	1	\$58.86
1	LST216SS	16 SS Mesh Screen	1	\$58.86
1	LST230SS	30 SS Mesh Screen	1	\$58.86
1	LST250SS	50 SS Mesh Screen	1	\$58.86
1	MLS250SS	50 SS Mesh Perforated Screen	1	\$96.72
1	LST280SS	80 SS Mesh Screen	1	\$58.86
1	MLS280SS	80 SS Mesh Perforated Screen	1	\$96.72
1	LST2100SS	100 SS Mesh Screen	1	\$58.86
1	MLS2100SS	100 SS Mesh Perforated Screen	1	\$104.04
2	MLS222B	2" Flanged Y Strainer Body	1	\$44.17
3	MLS220C1	2" Flanged Y Strainer Cap	1	\$25.42
4	MLS220R1	2" Flanged Y Strainer Ring	1	\$13.18
5	LSQ200-R	2" Plug Gasket	1	\$0.47
6	LSQ200-PL	2" Plug	1	\$2.77
7	MLS220G1	2" Body Gasket	1	\$3.80
2-7	MLS222BC	Strainer without Screen	1	\$69.34

REPLACEMENT PARTS MLS300

ITEM	PART NO	DESCRIPTION	QTY	PRICE
1	MLS300B	3" Flanged Y Strainer Body	1	\$331.11
2	MLS300CAP	3" Flanged Y Strainer Cap	1	\$161.88
3	LS300EC	3" End Cap	1	\$30.92
4	MLS300ECG	3" EPDM End Cap Gasket	1	\$12.76
4	MLS300ECGV	3" FKM (viton type) End Cap Gasket	1	\$24.46
5	13777	3" End Cap Plug	1	\$3.07
6	13778	3" End Cap Plug Gasket	1	\$1.94
7	MLS300G	3" EPDM Cap Gasket	1	\$6.34
7	MLS300GV	3" FKM (viton type) Cap Gasket	1	\$33.20
8	LS304	4 SS Mesh Screen	1	\$137.18
8	LS308	8 SS Mesh Screen	1	\$137.18
8	LS312	12 SS Mesh Screen	1	\$137.18
8	LS320	20 SS Mesh Screen	1	\$137.18
8	LS350	50 SS Mesh Screen	1	\$137.18

Manifold Bolted Tank Fittings "Bottom Drain"™

PATENTED

FEATURES

- Stainless steel bolts.
- Bolt head plugs sealed ultrasonically.
- Glass reinforced polypropylene.
- EPDM gaskets standard.
- FKM (viton type) available.



3"



MANIFOLD BOLTED BOTTOM DRAIN TANK FLANGES				
PART NO	DESCRIPTION	QTY	PRICE	
MBF100BD	1" Flange x 1" EPDM Female Thread	27	\$49.46	
MBF100BDV	1" Flange x 1" FKM(viton type) Female Thread	27	\$74.94	
MBF150200BD	2" Flange x 1½" EPDM Female Thread	27	\$47.05	
MBF150200BDV	2" Flange x 1½" FKM (viton type) Female Thread	27	\$134.90	
MBF200BD	2" Flange x 2" EPDM Female Thread	25	\$44.81	
MBF200BDV	2" Flange x 2" FKM(viton type) Female Thread	25	\$138.96	
MBF220BD	2" Full Port Flange x 2" EPDM Female Thread	27	\$62.82	
MBF220BDV	2" Full Port Flange x 2" FKM(viton type)Female Thread	27	\$142.41	
MBF300BD	3" Flange x 3" EPDM Female Thread	16	\$87.72	
MBF300BDV	3" Flange x 3" FKM(viton type) Female Thread	16	\$217.35	

Note: Tank not included.

Manifold Bolted Tank Fittings

MANIFOLD BOLTED TANK FLANGES				
PART NO	DESCRIPTION	QTY	PRICE	
MBF100	1" Flange x 1" EPDM Female Thread	27	\$37.30	
MBF100V	1" Flange x 1" FKM (viton type) Female Thread	27	\$97.42	
MBF200	2" Flange x 2" EPDM Female Thread	27	\$38.58	
MBF200V	2" Flange x 2" FKM (viton type) Female Thread	27	\$130.99	
MBF220	2" Full Port Flange x 2" EPDM Female Thread	27	\$63.70	
MBF220V	2" Full Port Flange x 2" FKM (viton type) Female Thread	27	\$160.08	
MBF300	3" Flange x 3" EPDM Female Thread	27	\$85.00	
MBF300V	3" Flange x 3" FKM (viton type) Female Thread	27	\$203.73	



1"-2" 4-bolt



3" 6-bolt

Longer bolts available for thicker tanks! See page 235.
See page 113 for gaskets.

Manifold "Bottom Drain"™ & Bulkhead Tank Fittings

PATENTED



MANIFOLD POLY BOTTOM DRAIN TANK FLANGES				
PART NO	DESCRIPTION	HOLE SIZE	QTY	PRICE
MTF220BD	2" x 2" Full Port Manifold EPDM Flange	3¼"	1	\$32.42
MTF300BD	3" x 3" Manifold EPDM Flange	4½"	1	\$56.69

MANIFOLD POLY BULKHEAD FITTINGS				
PART NO	DESCRIPTION	HOLE SIZE	QTY	PRICE
MTF220	2" Manifold Poly Bulkhead EPDM Tank Fitting	3¼"	1	\$31.88
MTF300	3" Manifold Poly Bulkhead EPDM Tank Fitting	4½"	1	\$54.39

*Gasket and clamp not included. Please see page 85 for items.

*Gasket not included. Please see page 85 for items.



MANIFOLD FLANGE CONNECTIONS

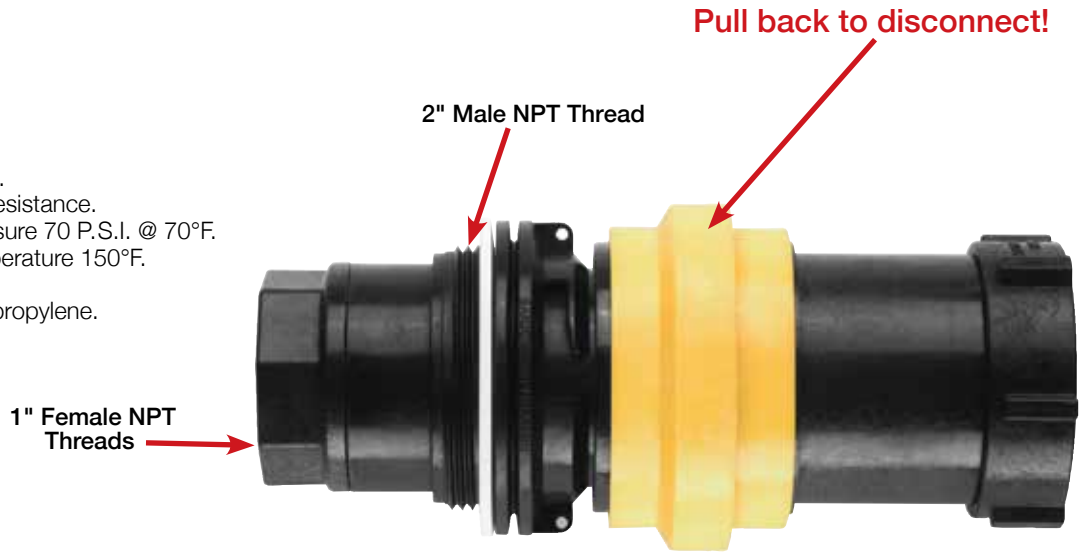
Dry Poppet Couplings

FEATURES

- Lightweight.
- Minimal fluid spillage.
- Easy to use.
- Economical.
- Reduces risk of exposure.
- Wide range of chemical resistance.
- Maximum operating pressure 70 P.S.I. @ 70°F.
- Maximum operating temperature 150°F.
- 30 GPM maximum flow.
- Precision molded in polypropylene.
- 1" Female NPT threads.

APPLICATIONS

- Agriculture
- Industrial
- Pharmaceutical
- Chemical processing



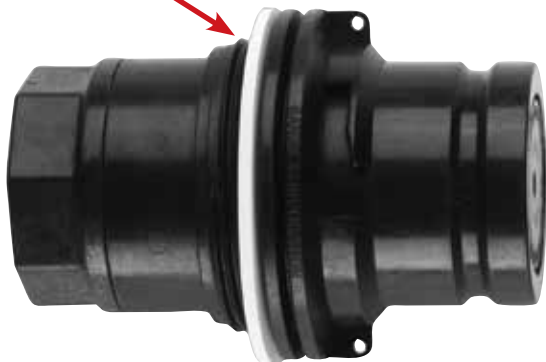
Male Adapter & Female Coupler shown coupled together but sold separately.

DRY POPPET COUPLINGS			
PART NO	DESCRIPTION	QTY	PRICE
DPCF100	Female Dry Poppet Coupler, 1" Female NPT Threads w/ FKM (viton type) Seals	1	\$154.73
DPCM100	Male Dry Poppet Adapter, 1" Female NPT Threads w/ FKM (viton type) Seals	1	\$140.74
DPCMT100	Male Dry Poppet Adapter, w/2" Male Threaded Body, 1" Female NPT Threads w/ FKM (viton type) Seals	1	\$140.74



Male Adapter Dry Poppet DPCM100

2" Male NPT Thread



Male Adapter Dry Poppet DPCMT100

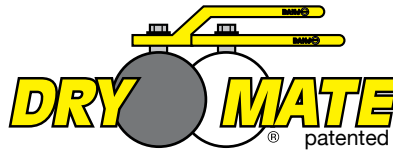


Female Coupling Dry Poppet DPCF100

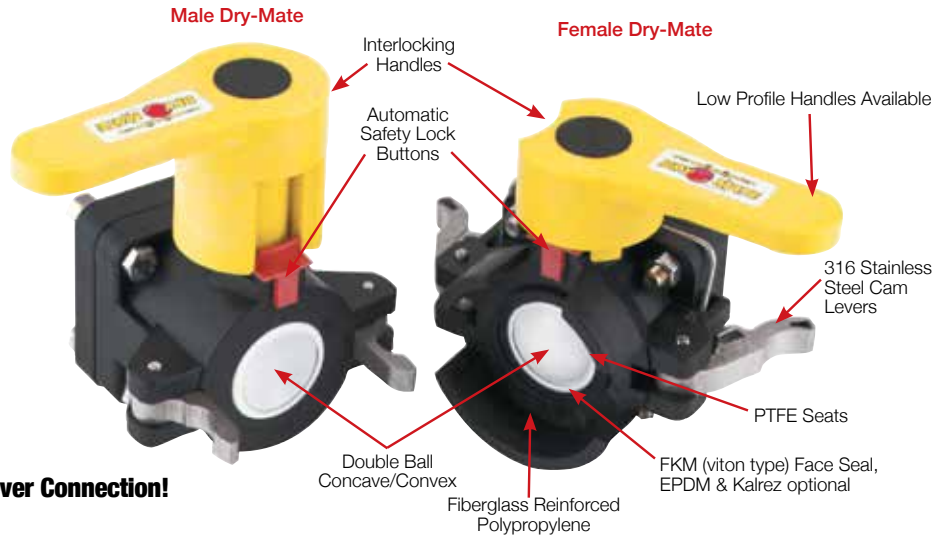
1½" Polypropylene Dry-Disconnect

FEATURES

- Lightweight.
- Unrestricted 1½" flow.
- Minimal fluid spillage.
- Easy to use.
- Economical.
- Reduces risk of exposure.
- Wide range of chemical resistance.
- Cannot be uncoupled in open position.
- Spillage Data: 1½" = 2 ml and 2" = 2 ml
- Maximum operating pressure 100 P.S.I. @ 70°F or 70 P.S.I. @ 150°F.



Old style Dry-Mate



**Prevents Accidental Spills And Exposure!
Patented Double Ball Design With Cam Lever Connection!**

POLY DRY-MATE SETS						
PART NO	DESCRIPTION	MAX PSI	PIPE SIZE	OPENING THRU BALL	QTY	PRICE
DM150AD	1½" Poly Dry-Mate Set	100	1½"	1½"	1	\$500.20

POLY MALE DRY-MATE						
PART NO	DESCRIPTION	MAX PSI	PIPE SIZE	OPENING THRU BALL	QTY	PRICE
DM150A	1½" Male x FPT NPT	100	1½"	1½"	1	\$241.76
DM150AB	1½" Male x FPT BSP w/FKM Seals	100	1½"	1½"	1	\$241.76
DM150ABE	1½" Male x FPT BSP w/EPDM Seals	100	1½"	1½"	1	\$241.76
DM150ABT	1½" Male x FPT BSP w/Kalrez® Seals	100	1½"	1½"	1	\$1,797.24
DM150AE	1½" Male x FPT NPT w/EPDM Seals	100	1½"	1½"	1	\$241.76
DM150AT	1½" Male x FPT NPT w/Kalrez® Seals	100	1½"	1½"	1	\$1,797.24

POLY FEMALE DRY-MATE						
PART NO	DESCRIPTION	MAX PSI	PIPE SIZE	OPENING THRU BALL	QTY	PRICE
DM150D	1½" Female x FPT NPT	100	1½"	1½"	1	\$258.42
DM150DB	1½" Female x FPT BSP	100	1½"	1½"	1	\$258.42
DM150DBE	1½" Female x FPT BSP w/EPDM Seals	100	1½"	1½"	1	\$258.42
DM150DBT	1½" Female x FPT BSP w/Kalrez® Seals	100	1½"	1½"	1	\$1,797.24
DM150DE	1½" Female w/EPDM Seals	100	1½"	1½"	1	\$258.42
DM150DT	1½" Female w/Kalrez® Seals	100	1½"	1½"	1	\$1,797.24

User friendly: Operating a Banjo Dry-Mate is simple. The handles interlock making it easy to identify which handle opens or closes first. No guessing involved! The two Dry-Mate halves couple together with cam levers for positive engagement.

Design: The Banjo Dry-Mate is designed for safe and easy spill free connections. The "double ball" design allows maximum flow, while the cam lever style of connection is the most recognized fluid connector.



Comes complete with dust covers to protect balls and seals when not in use. Lanyard included.

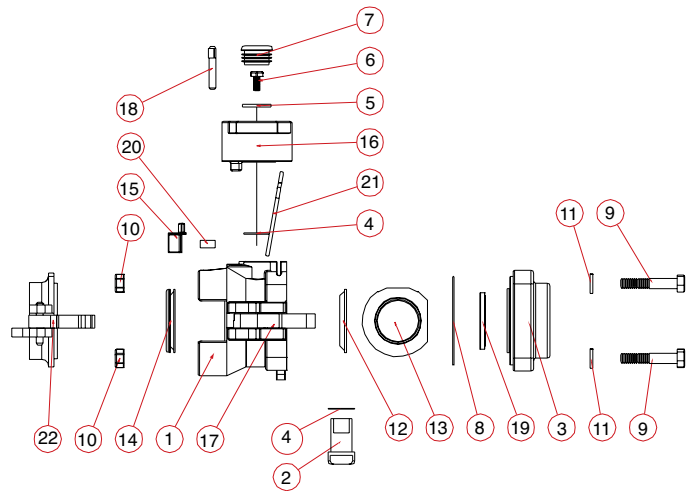
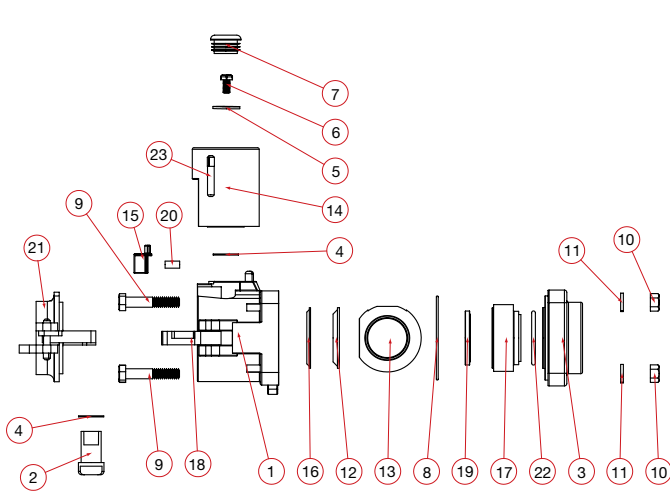


Manifold Connection also available page 78.



DMMT201A





REPLACEMENT PARTS DM150A & DM200A

ITEM	PART NO	DESCRIPTION	QTY	PRICE
1	DM20254	Male Dry-Mate Body	1	\$113.68
2	VS20151*	Stem	1	\$9.98
3	DM20257	1½" Female NPT End Plate	1	\$13.09
3	DM20257B	1½" Female BSP End Plate	1	\$13.09
3	V20257B	1½" Female BSP End Plate (DM150ABE)	1	\$13.09
4	V20060*	Thrust Bearing PTFE	2	\$2.19
5	V20021	Handle Flat Washer	1	\$0.44
6	V20020	Handle Bolt	1	\$0.88
7	V20353C	Handle Plug	1	\$2.19
8	V21204V*	FKM (viton type) Body O-Ring	1	\$4.32
9	V20010SS	Body Bolts	1	\$1.07
10	V20019	¾" 16 SS Hex Nut	4	\$1.07
11	V20018	¾" Lock Washer	4	\$0.44
12	DB20258*	Seat PTFE	4	\$23.84
13	DB20255*	Ball	1	\$33.65
14	DM20153M	Male Handle	1	\$17.64
14	DB20153M	Low Profile Handle	1	\$17.64
15	DB20288*	Anti-Rotation Button	1	\$3.45
16	DB20290*	FKM (viton type) Face Seal	1	\$15.46
16	DM20295A	EPDM Face Seal	1	\$46.37
16	DM20296	Kalrez® Face Seal	1	\$1,736.44
17	DB20294	Valve Insert	2	\$34.65
18	DM20300	Cam	2	\$13.33
19	V20258A*	End Plate Seat	1	\$9.98
20	DB20281	Button Spring	1	\$3.63
21	DM200CAP	Dust Cap	1	\$72.23
22	DM20265	Spacer O-Ring	2	\$5.72
23	200P	Pin	1	\$1.04
N/S	V20207A	Lanyard	1	\$2.48
N/S	DM20200A	Repair Kit	1	\$136.41

REPLACEMENT PARTS DM150D & DM200D

ITEM	PART NO	DESCRIPTION	QTY	PRICE
1	DM20254F	Female Dry-Mate Body	1	\$113.68
1	DM20254T	Male Bolted TFE Body	1	\$113.68
2	VS20151*	Stem	1	\$9.98
3	DM20257	1½" NPT End Plate	1	\$13.09
3	DM20257B	1½" BSP End Plate	1	\$13.09
3	V20257B	1½" BSP End Plate (DM150DBE)	1	\$13.09
4	V20060*	Thrust Bearing PTFE	2	\$2.19
5	V20021	Handle Flat Washer	1	\$0.44
6	V20020	Handle Bolt	1	\$0.88
7	V20353C	Handle Plug	1	\$2.19
8	V21204V*	FKM (viton type) Body O-Ring	1	\$4.32
8	V21204	TFE End Plate Body Gasket	1	\$4.51
9	V20010SS	Body Bolts	1	\$1.07
10	V20019	¾" 16 SS Hex Nut	4	\$1.07
11	V20018	¾" Lock Washer	4	\$0.44
12	DB20258*	Seat PTFE	4	\$23.84
13	DB20255*	Ball	1	\$33.65
14	DM20294A	FKM (viton type) Face Seal	1	\$47.30
14	DM20295A	EPDM Face Seal	1	\$46.37
14	DM20296	Kalrez® Face Seal	1	\$1,736.44
15	DB20288*	Anti-Rotation Button	1	\$3.45
16	DM20153F	Female Handle	1	\$17.64
17	DM200KX	Cam Arm	1	\$19.81
18	200P	Pin	2	\$1.04
19	V20258A*	End Plate Seat	2	\$9.98
20	DB20281*	Button Spring	1	\$3.63
21	DM20289	Locking Yoke	1	\$13.19
22	DM200PL	Dust Plug	1	\$70.00
N/S	V20207A	Lanyard	1	\$2.48
N/S	DM20200D	Repair Kit	1	\$136.41

Valve repair kits contain items marked with asterisk*.

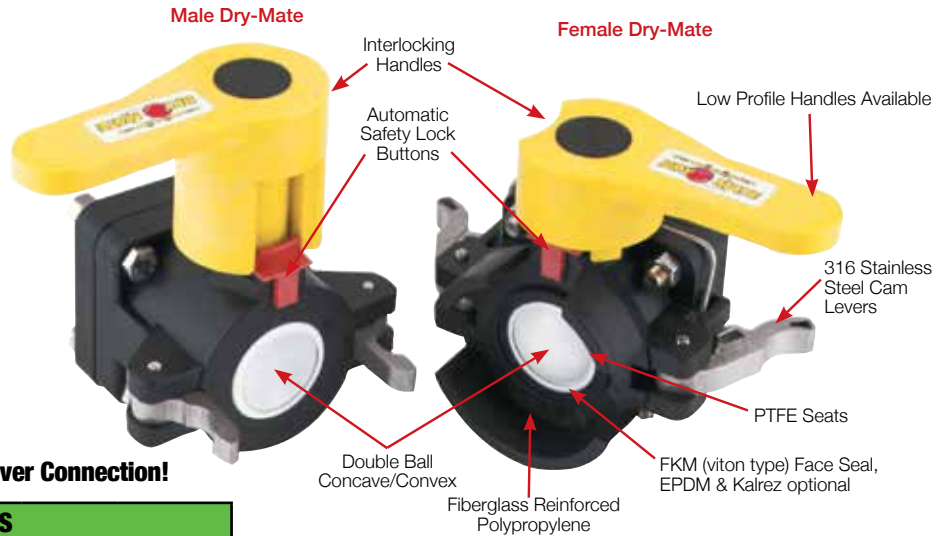
2" Polypropylene Dry-Disconnect

FEATURES

- Lightweight.
- Unrestricted 1½" flow.
- Minimal fluid spillage.
- Easy to use.
- Economical.
- Reduces risk of exposure.
- Wide range of chemical resistance.
- Cannot be uncoupled in open position.
- Spillage Data: 1½" = 2 ml and 2" = 2 ml
- Maximum operating pressure 100 P.S.I. @ 70°F or 70 P.S.I. @ 150°F.



Old style Dry-Mate



Prevents Accidental Spills And Exposure!
Patented Double Ball Design With Cam Lever Connection!

POLY DRY-MATE SETS						
PART NO	DESCRIPTION	MAX PSI	PIPE SIZE	OPENING THRU BALL	QTY	PRICE
DM200AD	2" Poly Dry-Mate Set	100	2"	1½"	1	\$500.20

POLY MALE DRY-MATE						
PART NO	DESCRIPTION	MAX PSI	PIPE SIZE	OPENING THRU BALL	QTY	PRICE
DM200A	2" Male x FPT NPT	100	2"	1½"	1	\$241.76
DM200AB	2" Male x FPT BSP	100	2"	1½"	1	\$241.76
DM200AE	2" Male x FPT NPT w/ EPDM Seals	100	2"	1½"	1	\$241.76
DM200AT	2" Male x FPT NPT w/ Kalrez® Seals	100	2"	1½"	1	\$1,797.24
DMMT201A	2" Male x Male NPT w/low profile handle	100	2"	1½"	1	\$253.17
DMMT201AE	2" Male x Male NPT w/low profile handle w/EPDM Seals	100	2"	1½"	1	\$253.17

POLY FEMALE DRY-MATE						
PART NO	DESCRIPTION	MAX PSI	PIPE SIZE	OPENING THRU BALL	QTY	PRICE
DM200D	2" Female x FPT NPT	100	2"	1½"	1	\$258.42
DM200DB	2" Female x FPT BSP	100	2"	1½"	1	\$258.42
DM200DE	2" Female w/EPDM Seals	100	2"	1½"	1	\$258.42
DM200DT	2" Female w/Kalrez® Seals	100	2"	1½"	1	\$1,797.24

User friendly: Operating a Banjo Dry-Mate is simple. The handles interlock making it easy to identify which handle opens or closes first. No guessing involved! The two Dry-Mate halves couple together with cam levers for positive engagement.

Design: The Banjo Dry-Mate is designed for safe and easy spill free connections. The "double ball" design allows maximum flow, while the cam lever style of connection is the most recognized fluid connector.



Comes complete with dust covers to protect balls and seals when not in use. Lanyard included.

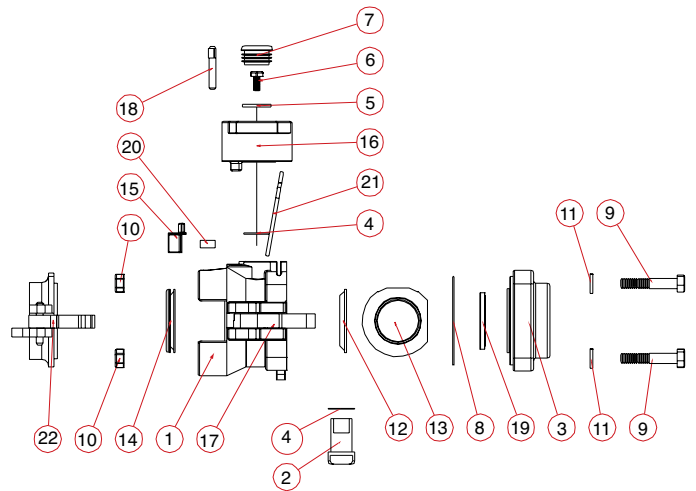
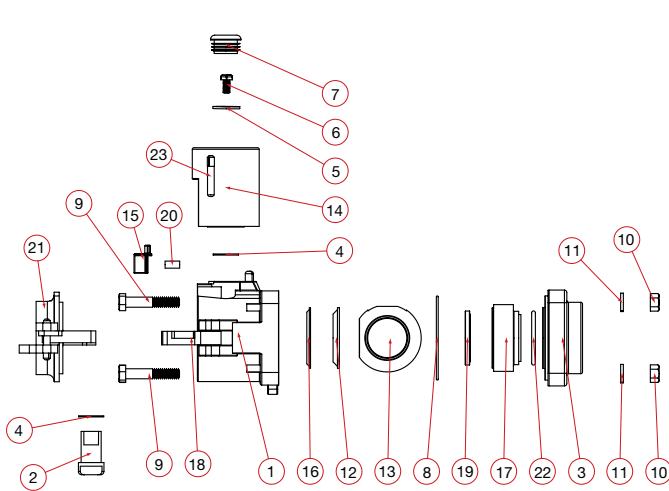


Manifold Connection also available page 62.



DMMT201A



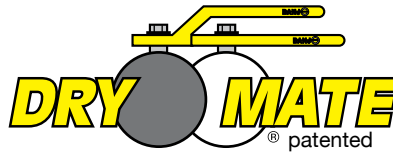


REPLACEMENT PARTS DM150A & DM200A				
ITEM	PART NO	DESCRIPTION	QTY	PRICE
1	DM20254	Male Dry-Mate Body	1	\$113.68
2	VS20151*	Stem	1	\$9.98
3	DM20256	2" Female NPT End Plate	1	\$13.09
3	V20291	2" Female Manifold End Plate	1	\$16.24
3	DM20256B	2" Female BSP End Plate	1	\$13.09
3	DMMT20256	2" Male NPT End Plate	1	\$17.78
4	V20060*	Thrust Bearing PTFE	2	\$2.19
5	V20021	Handle Flat Washer	1	\$0.44
6	V20020	Handle Bolt	1	\$0.88
7	V20353C	Handle Plug	1	\$2.19
8	V21204V*	FKM (viton type) Body O-Ring	1	\$4.32
9	V20010SS	Body Bolts	1	\$1.07
10	V20019	3/8" 16 SS Hex Nut	4	\$1.07
11	V20018	3/8" Lock Washer	4	\$0.44
12	DB20258*	Seat PTFE	4	\$23.84
13	DB20255*	Ball	1	\$33.65
14	DM20153M	Male Handle	1	\$17.64
14	DB20153M	Low Profile Handle	1	\$17.64
15	DB20288*	Anti-Rotation Button	1	\$3.45
16	DB20290*	FKM (viton type) Face Seal	1	\$15.46
16	DM20295A	EPDM Face Seal	1	\$46.37
16	DM20296	Kalrez® Face Seal	1	\$1,736.44
17	DB20294	Valve Insert	2	\$34.65
18	DM20300	Cam	2	\$13.33
19	V20258A*	End Plate Seat	1	\$9.98
20	DB20281	Button Spring	1	\$3.63
21	DM200CAP	Dust Cap	1	\$72.23
22	DM20265	Spacer O-Ring	2	\$5.72
23	200P	Pin	1	\$1.04
N/S	V20207A	Lanyard	1	\$2.48
N/S	DM20200A	Repair Kit	1	\$136.41

REPLACEMENT PARTS DM150D & DM200D				
ITEM	PART NO	DESCRIPTION	QTY	PRICE
1	DM20254F	Female Dry-Mate Body	1	\$113.68
1	DM20254T	Male Bolted TFE Body	1	\$113.68
2	VS20151*	Stem	1	\$9.98
3	DM20256	2" NPT End Plate	1	\$13.09
3	V20294	2" Manifold End Plate	1	\$16.12
3	DM20256B	2" BSP End Plate	1	\$13.09
4	V20060*	Thrust Bearing PTFE	2	\$2.19
5	V20021	Handle Flat Washer	1	\$0.44
6	V20020	Handle Bolt	1	\$0.88
7	V20353C	Handle Plug	1	\$2.19
8	V21204V*	FKM (viton type) Body O-Ring	1	\$4.32
8	V21204	TFE End Plate Body Gasket	1	\$4.51
9	V20010SS	Body Bolts	1	\$1.07
10	V20019	3/8" 16 SS Hex Nut	4	\$1.07
11	V20018	3/8" Lock Washer	4	\$0.44
12	DB20258*	Seat PTFE	4	\$23.84
13	DB20255*	Ball	1	\$33.65
14	DM20294A	FKM (viton type) Face Seal	1	\$47.30
14	DM20295A	EPDM Face Seal	1	\$46.37
14	DM20296	Kalrez® Face Seal	1	\$1,736.44
15	DB20288*	Anti-Rotation Button	1	\$3.45
16	DM20153F	Female Handle	1	\$17.64
17	DM200KX	Cam Arm	1	\$19.81
18	200P	Pin	2	\$1.04
19	V20258A*	End Plate Seat	2	\$9.98
20	DB20281*	Button Spring	1	\$3.63
21	DM20289	Locking Yoke	1	\$13.19
22	DM200PL	Dust Plug	1	\$70.00
N/S	V20207A	Lanyard	1	\$2.48
N/S	DM20200D	Repair Kit	1	\$136.41

Valve repair kits contain items marked with asterisk*.

3" Polypropylene Dry-Disconnect



FEATURES

- Lightweight.
- Unrestricted 3" flow.
- Minimal fluid spillage.
- Easy to use.
- Economical.
- Reduces risk of exposure.
- Wide range of chemical resistance.
- Cannot be uncoupled in open position.
- Spillage Data: 3" = 25 ml
- Maximum operating pressure 100 P.S.I. @ 70°F or 75 P.S.I. @ 150°F.

APPLICATIONS

- Agriculture
- Industrial
- Pharmaceutical
- Chemical processing



Male & Female shown coupled together.
Male & Female sold separately as shown below.

PREVENTS ACCIDENTAL SPILLS AND EXPOSURE!

3" FULL PORT POLY DRY-MATE						
PART NO	DESCRIPTION	MAX PSI	PIPE SIZE	OPENING THRU BALL	QTY	PRICE
DM300AFP	3" FP Male x 3" Female NPT Threads w/ FKM(viton type) Seals	100	3"	3"	1	\$433.50
DM300ABFP	3" FP Male x 3" BSP Threads w/ FKM(viton type) Seals	100	3"	3"	1	\$433.50
DM300DFP	3" FP Female x 3" Female NPT Threads w/ FKM(viton type) Seals	100	3"	3"	1	\$484.50
DM300DBFP	3" FP Female x 3" BSP Threads w/ FKM(viton type) Seals	100	3"	3"	1	\$484.50

User friendly: Operating a Banjo Dry-Mate is simple.

The handles interlock making it easy to identify which handle opens or closes first. No guessing involved! The two Dry-Mate halves couple together with cam levers for positive engagement.

Design: The Banjo Dry-Mate is designed for safe and easy spill free connections. The "double ball" design allows maximum flow, while the cam lever style of connection is the most recognized fluid connector.

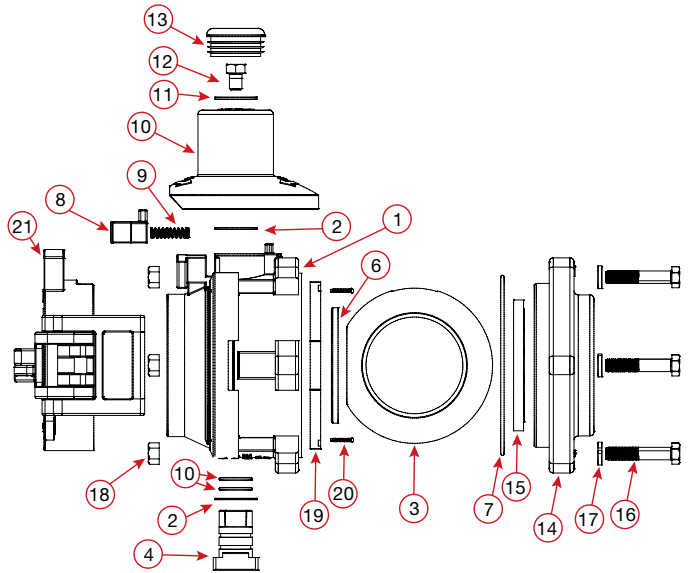
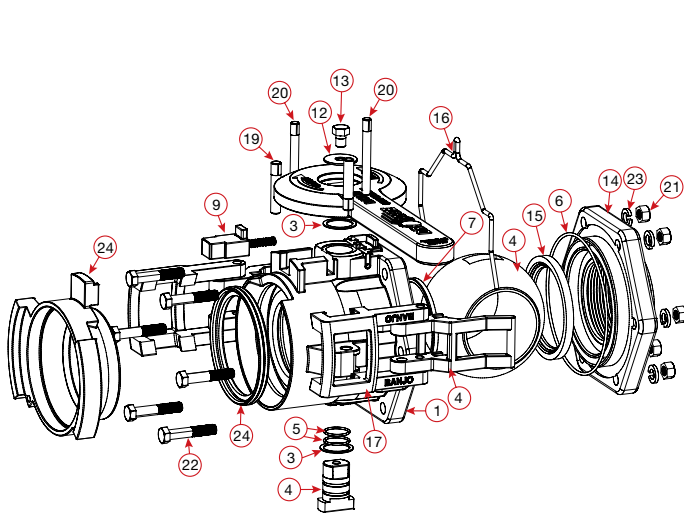
Female Dry-Mate
DM300DFP



Male Dry-Mate
DM300AFP



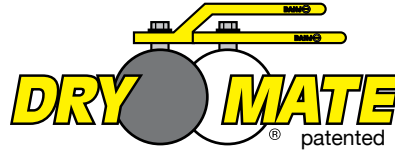
Male & Female Sold Separately



REPLACEMENT PARTS DM300DFP				
ITEM	PART NO	DESCRIPTION	QTY	PRICE
1	DM35254F	Female Body	1	\$56.10
2	V35255A	Ball	1	\$38.30
3	V25060	Valve Stem Thrust Bearing	2	\$2.19
4	VS25151C	Stem w/O-Ring Grooves	1	\$13.46
5	A020V	#20 O-Ring	2	\$1.02
6	V35265	Body O-Ring FKM (viton type)	1	\$14.32
7	DM35258	Ball Seat	1	\$21.93
8	DM35294	Face Seal FKM (viton type)	1	\$32.39
9	DM35288F	Handle Button	1	\$2.55
10	DM35281	Button Spring	1	\$2.30
11	DM35153F	Female Handle	1	\$19.89
12	V25121	3/8" Washer	1	\$0.58
13	V25020	3/8" Handle Bolt	1	\$1.79
14	V35264	End Plate	1	\$49.87
15	V35258A	Ball Seat	1	\$21.33
16	DM35289	Locking Yoke	1	\$6.63
17	DM35009	Clamp Arm	2	\$57.12
18	DM35010	Clamp Lever	2	\$41.82
19	GP038200	3/8" x 2" Stainless Steel Groove Pin	2	\$4.85
20	GP0516300	5/16" x 3" Stainless Steel Groove Pin	2	\$6.94
21	V20019	3/8" Hex Nut	6	\$1.07
22	V20010SS	3/8" - 16 x 2" HHCS	6	\$1.07
23	V20018	3/8" Lockwasher	6	\$0.44
24	DM300PL	Plug	1	\$13.45
25	DM35013	Wire Form Hold Down Block	2	\$3.77

REPLACEMENT PARTS DM300AFP				
ITEM	PART NO	DESCRIPTION	QTY	PRICE
1	DM35254M	Male Body	1	\$52.02
2	V25060	Valve Stem Thrust Bearing	2	\$2.19
3	DM35255	Ball	1	\$36.21
4	VS25151C	Stem w/o-ring Grooves	1	\$13.46
5	A020V	#20 O-Ring	2	\$1.02
6	DM35258	Ball Seat	1	\$21.93
7	V35265	Body O-Ring FKM (viton type)	1	\$14.32
8	DM35288M	Handle Button	1	\$2.24
9	DM35281	Button Spring	1	\$2.30
10	DM35153M	Handle	1	\$20.40
11	V25121	3/8" Washer	1	\$0.58
12	V25020	3/8" Handle Bolt	1	\$1.79
13	V25502	3/4" Cap Plug	1	\$2.55
14	V35264	End Plate	1	\$49.87
15	V35258A	Ball Seat	1	\$21.33
16	V20010SS	3/8" - 16 x 2" HHCS	6	\$1.07
17	V20018	3/8" Lockwasher	6	\$0.44
18	V20019	3/8" Hex Nut	6	\$1.07
19	DM35006	Clamp Rib	2	\$14.08
20	DP02063	#2 x 5/8" Type U Drive Screw	4	\$1.02
21	DM300CAP	Cap	1	\$142.80

1" Full Port Stainless Steel Dry-Disconnect



FEATURES

- 316 stainless steel construction.
- FKM (viton type), EPDM & Kalrez face seals.
- 100% PTFE ball seats.
- 100 P.S.I. maximum operating pressure.
- 300°F maximum operating temperature.
- Spillage Data: 1" = 1ml, 1½" and 2" = 2ml
- When liquid is flowing, Dry-Mate halves cannot be uncoupled without turning handles to closed position.
- When Dry-Mate halves are apart, handles cannot be turned to open position.

APPLICATIONS

- Agriculture
- Industrial
- Pharmaceutical
- Chemical processing

SIZES

- Sizes: 1" Full Port, 1½" Full Port and 2" Standard Port (Female NPT & BSP Threads)

Available with Female NPT or BSP Threads



PREVENTS ACCIDENTAL SPILLS AND EXPOSURE!

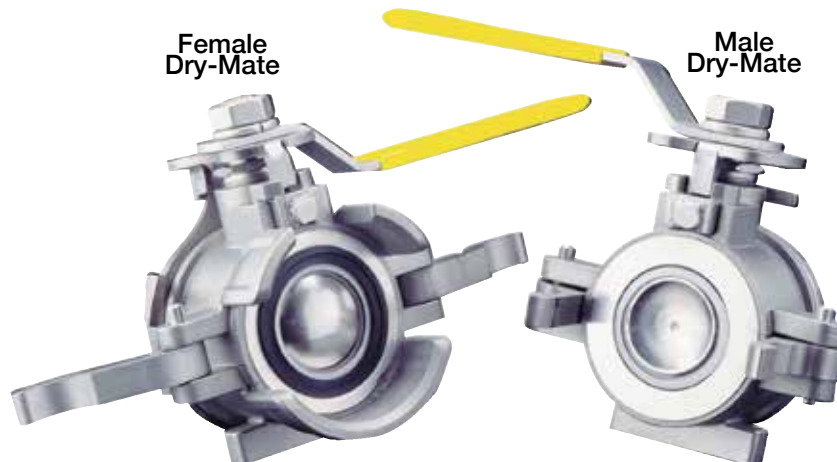
Male & Female shown coupled together. Male & Female sold separately as shown below.

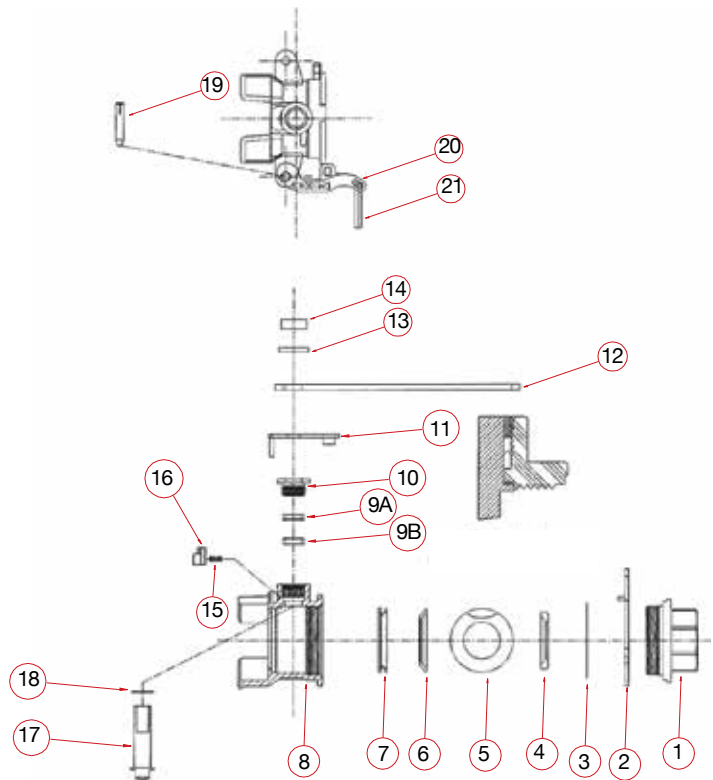
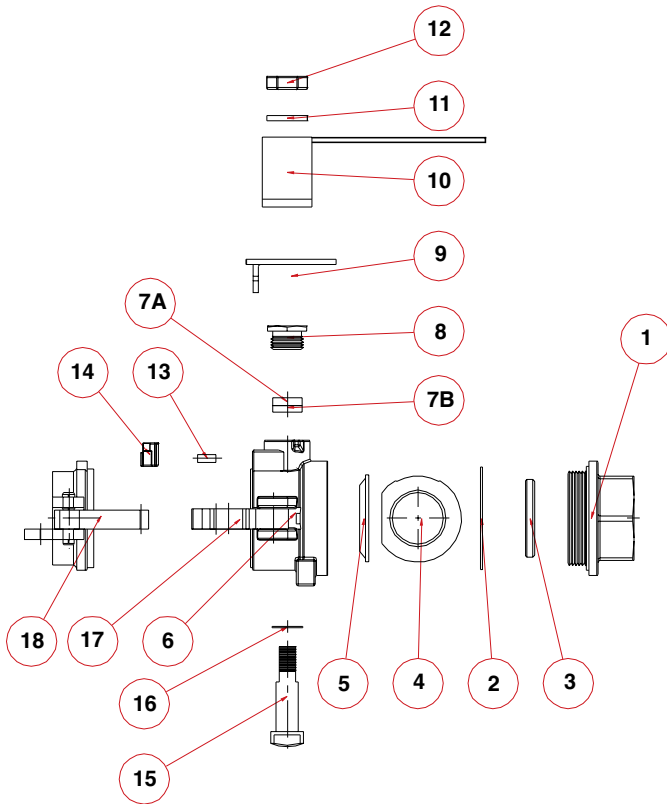
1" FULL PORT STAINLESS STEEL DRY-MATE

PART NO	DESCRIPTION	MAX PSI	PIPE SIZE	OPENING THRU BALL	QTY	PRICE
DM100ASS	1" Male x NPT w/PTFE Seals	100	1"	1"	1	\$523.04
DM100ABSS	1" Male x BSP w/PTFE Seals	100	1"	1"	1	\$523.04
DM100DSS	1" Female x NPT w/FKM(viton type) Seals	100	1"	1"	1	\$631.73
DM100DSSE	1" Female x NPT w/EPDM Seals	100	1"	1"	1	\$631.73
DM100DSST	1" Female x NPT w/Kalrez®Seals	100	1"	1"	1	\$2,003.87
DM100DBSS	1" Female x BSP w/FKM(viton type) Seals	100	1"	1"	1	\$631.73
DM100DBSSE	1" Female x BSP w/EPDM Seals	100	1"	1"	1	\$631.73
DM100DBSST	1" Female x BSP w/Kalrez®Seals	100	1"	1"	1	\$2,003.87



Male & Female sold separately as shown below.





REPLACEMENT PARTS DM100ASS				
ITEM	PART NO	DESCRIPTION	QTY	PRICE
1	DM10257SS	1" NPT End Plate	1	\$90.94
1	DM10257BSS	1" BSP End Plate	1	\$90.94
2	VSS10204*	Body Gasket PTFE	1	\$7.83
3	VSS10258*	Seat PTFE	1	\$7.83
4	DM10255SS*	Ball	1	\$38.65
5	DM10258*	Seat PTFE	1	\$14.57
6	DM10254MSS	Body	1	\$300.11
7A	VSS10160F*	Stem Packing PTFE	1	\$4.69
7B	VSS10160M*	Stem Packing PTFE	1	\$4.69
8	VSS10159	Gland Nut	1	\$6.27
9	DM10155SS	Interlock Cam	1	\$17.27
10	DM10153MSS	Male Handle	1	\$24.55
11	VSS10021	7/16" Lock Washer	1	\$1.25
12	VSS10020	7/16" - 20 Jam Nut	1	\$4.69
13	DM10281	Spring	1	\$16.98
14	DM10288SS	Handle Interlock	1	\$18.20
15	DM10151SS	Stem	1	\$18.65
16	VSS10060*	Thrust Bearing	1	\$3.13
17	DM10300	Profile Insert	2	\$18.20
18	100P	Pin	2	\$0.85
N/S	DM100CAP	Poly Cap	1	\$51.83
N/S	V20207	Lanyard	1	\$2.19
N/S	DM101SS	Repair Kit	1	\$105.50

REPLACEMENT PARTS DM100DSS				
ITEM	PART NO	DESCRIPTION	QTY	PRICE
1	DM10256SS	1" NPT End Plate	1	\$90.94
1	DM10256BSS	1" BSP End Plate	1	\$90.94
2	DM10289SS	Locking Yoke	1	\$27.73
3	VSS10204*	Body Gasket PTFE	1	\$7.83
4	VSS10258*	Seat PTFE	1	\$7.83
5	VSS10255*	Ball	1	\$28.58
6	DM10258*	Seat PTFE	1	\$14.57
7	DM10294A*	FKM (viton type) Face Seal	1	\$33.65
7	DM10295A*	EPDM Face Seal	1	\$33.65
7	DM10296*	Kalrez® Face Seal	1	\$1,338.51
8	DM10254FSS	Body	1	\$300.11
9A	VSS10160F*	Stem Packing PTFE	1	\$4.69
9B	VSS10160M*	Stem Packing PTFE	1	\$4.69
10	VSS10159	Gland Nut	1	\$6.27
11	DM10154SS	Interlock Cam	1	\$18.20
12	DM10153FSS	Female Handle	4	\$22.21
13	VSS10021	7/16" Lock Washer	4	\$1.25
14	VSS10020	7/16" - 20 Jam Nut	4	\$4.69
15	DM10281	Spring	1	\$16.98
16	DM10288SS	Handle Interlock	1	\$18.20
17	DM10151SS	Stem	1	\$18.65
18	VSS10060*	Thrust Bearing	1	\$3.13
19	100P	Pin	2	\$0.85
20	DM100K	Cam Arm	2	\$19.83
21	100RING	Cam Arm Ring	2	\$0.70
N/S	DM100PL	Poly Plug	1	\$51.83
N/S	V20207	Lanyard	1	\$2.19
N/S	DM102SSV	FKM (viton type) Repair Kit	1	\$181.79
N/S	DM102SSE	EPDM Repair Kit	1	\$181.79
N/S	DM102SST	Kalrez® Repair Kit	1	\$1,717.34

Valve repair kits contain items marked with asterisk*.

1½" Full Port Stainless Steel Dry-Disconnect



FEATURES

- 316 stainless steel construction.
- FKM (viton type), EPDM & Kalrez face seals.
- 100% PTFE ball seats.
- 100 P.S.I. maximum operating pressure.
- 300°F maximum operating temperature.
- Spillage Data: 1" = 1ml, 1½" and 2" = 2ml
- When liquid is flowing, Dry-Mate halves cannot be uncoupled without turning handles to closed position.
- When Dry-Mate halves are apart, handles cannot be turned to open position.

APPLICATIONS

- Agriculture
- Industrial
- Pharmaceutical
- Chemical processing

SIZES

- Sizes: 1" Full Port, 1½" Full Port (Female NPT & BSP Threads)

Available with Female NPT or BSP Threads



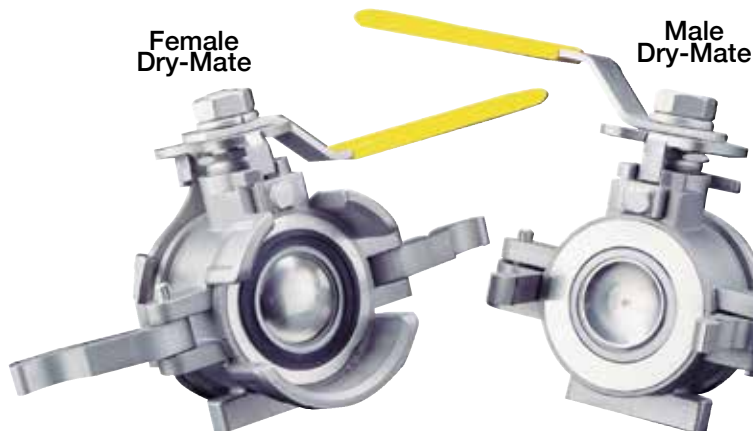
PREVENTS ACCIDENTAL SPILLS AND EXPOSURE!

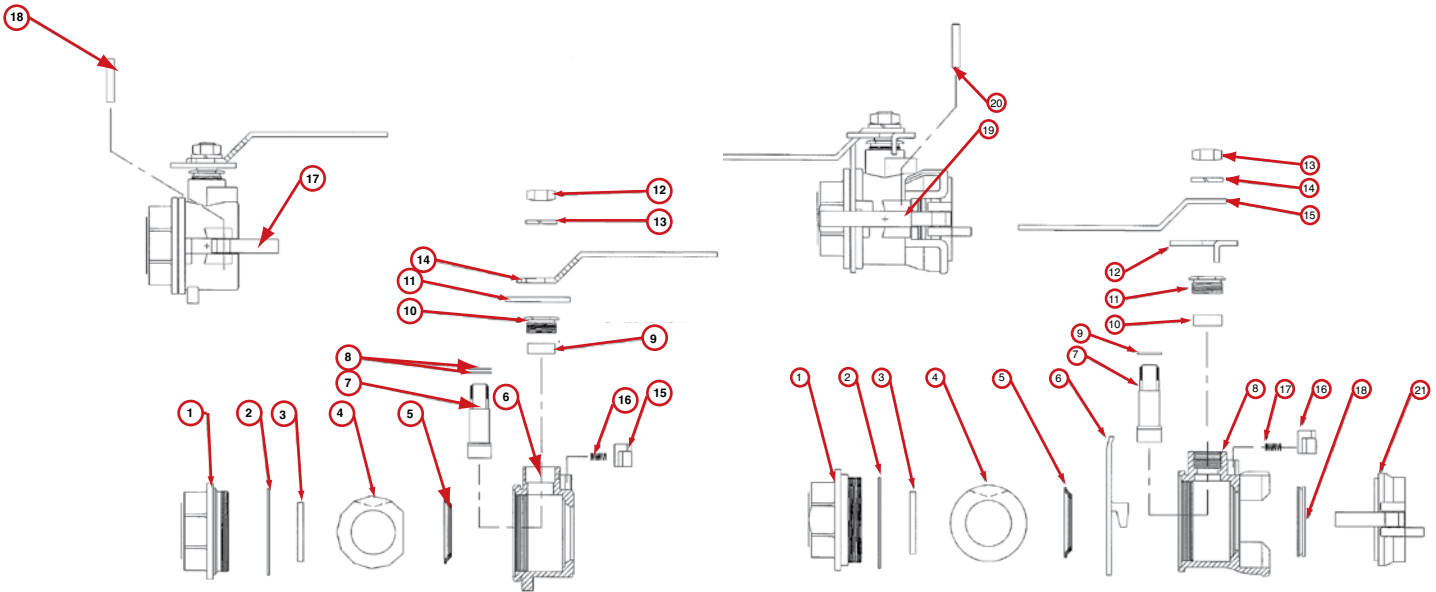
Male & Female shown coupled together. Male & Female sold separately as shown below.

1½" FULL PORT STAINLESS STEEL DRY-MATE						
PART NO	DESCRIPTION	MAX PSI	PIPE SIZE	OPENING THRU BALL	QTY	PRICE
DM150ASS	1½" Male x NPT w/PTFE Seals	100	1½"	1½"	1	\$950.99
DM150ABSS	1½" Male x BSP w/PTFE Seals	100	1½"	1½"	1	\$950.99
DM150DSS	1½" Female x NPT w/FKM (viton type) Seals	100	1½"	1½"	1	\$1,443.47
DM150DSSE	1½" Female x NPT w/EPDM Seals	100	1½"	1½"	1	\$1,443.47
DM150DSST	1½" Female x NPT w/Kalrez® Seals	100	1½"	1½"	1	\$3,990.77
DM150DBSS	1½" Female x BSP w/FKM (viton type) Seals	100	1½"	1½"	1	\$1,443.47
DM150DBSSE	1½" Female x BSP w/EPDM Seals	100	1½"	1½"	1	\$1,443.47
DM150DBSST	1½" Female x BSP w/Kalrez® Seals	100	1½"	1½"	1	\$3,179.92



Male & Female sold separately as shown below.





REPLACEMENT PARTS DM150ASS				
ITEM	PART NO	DESCRIPTION	QTY	PRICE
1	DM15257MSS	1½" NPTF End Plate	1	\$172.79
1	DM15257MBSS	1½" BSP End Plate	1	\$172.79
2	DM15204SS*	Body Gasket PTFE	1	\$2.73
3	VE20258A*	Seat PTFE	1	\$10.85
4	DM15255MSS*	Ball	1	\$59.66
5	DB20258*	Seat PTFE	1	\$23.84
6	DM15154MSS	Valve Body	1	\$400.14
7	DM15151SS	Stem	1	\$44.10
8	VSS15060*	Thrust Bearing PTFE	1	\$1.89
9	VSS15160*	Stem Packing PTFE	1	\$6.27
10	VSS15159	Packing Nut	1	\$16.83
11	DM15155SS	Interlock Cam	1	\$39.81
12	VSS15020	5/8" - 18 Jam Nut	1	\$2.36
13	VSS15021	5/8" Lock Washer	1	\$2.36
14	DM15153SS	Handle	1	\$57.29
15	DM15288SS	Button	1	\$18.69
16	DB20281	Spring	2	\$3.63
17	DM20300	Profile Insert	2	\$13.33
18	200P	Pin	2	\$1.04
N/S	DM200ACAP	Dust Cap	1	\$72.23
N/S	V20207	Lanyard	1	\$2.19
N/S	DM201SS	Repair Kit	1	\$108.21

REPLACEMENT PARTS DM150DSS				
ITEM	PART NO	DESCRIPTION	QTY	PRICE
1	DM15257FSS	1½" NPTF End Plate	1	\$172.79
1	DM15257FBSS	1½" BSP End Plate	1	\$172.79
2	DM15204SS*	Body Gasket PTFE	1	\$2.73
3	V20258*	Seat PTFE	1	\$9.98
4	DM15255FSS*	Ball	1	\$124.14
5	DB20258*	Body	1	\$23.84
6	DM15289SS	Locking Yoke	1	\$61.83
7	DM15151SS	Stem	1	\$44.10
8	DM15154FSS	Body	1	\$538.36
9	VSS15060*	Thrust Bearing PTFE	1	\$1.89
10	VSS15160*	Stem Packing PTFE	1	\$6.27
11	VSS15159	Packing Nut	1	\$16.83
12	DM15154SS	Interlock Cam	1	\$39.81
13	VSS15020	5/8" - 18 Jam Nut	1	\$2.36
14	VSS15021	5/8" Lock Washer	1	\$2.36
15	DM15153SS	Handle	1	\$57.29
16	DM15288SS	Button	1	\$18.69
17	DB20281	Spring	1	\$3.63
18	DM20294A*	FKM (viton type) Face Seal	1	\$47.30
18	DM20295A*	EPDM Face Seal	1	\$46.37
18	DM20296*	Kalrez® Face Seal	1	\$1,736.44
19	DM200KX	Cam Arm	2	\$19.81
20	200P	Pin	2	\$1.04
21	DM200APL	Dust Plug	1	\$70.00
N/S	V20207	Lanyard	1	\$2.19
N/S	DM202SSV	FKM (viton type) Repair Kit	1	\$181.79
N/S	DM202SSE	EPDM Repair Kit	1	\$181.79
N/S	DM202SST	Kalrez® Repair Kit	1	\$1,991.44

Items shown with * are included in the repair kit. Only 1 face seal will be provided with each kit and it is identified by the repair kit number.

DRY-DISCONNECTS

2" Stainless Steel Dry-Disconnect



FEATURES

- 316 stainless steel construction.
- FKM (viton type), EPDM & Kalrez face seals.
- 100% PTFE ball seats.
- 100 P.S.I. maximum operating pressure.
- 300°F maximum operating temperature.
- Spillage Data: 1" = 1ml, 1½" = 2ml and 2" = 2ml
- When liquid is flowing, Dry-Mate halves cannot be uncoupled without turning handles to closed position.
- When Dry-Mate halves are apart, handles cannot be turned to open position.

APPLICATIONS

- Agriculture
- Industrial
- Pharmaceutical
- Chemical processing

SIZES

- Sizes: 2" Standard Port (Female NPT & BSP Threads)

Available with Female NPT or BSP Threads



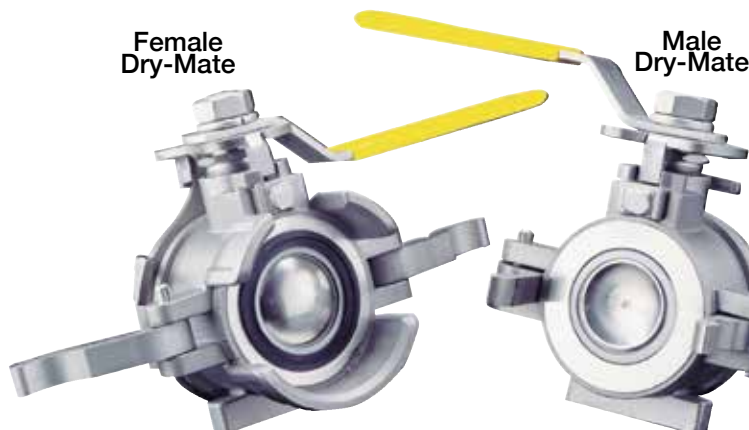
PREVENTS ACCIDENTAL SPILLS AND EXPOSURE!

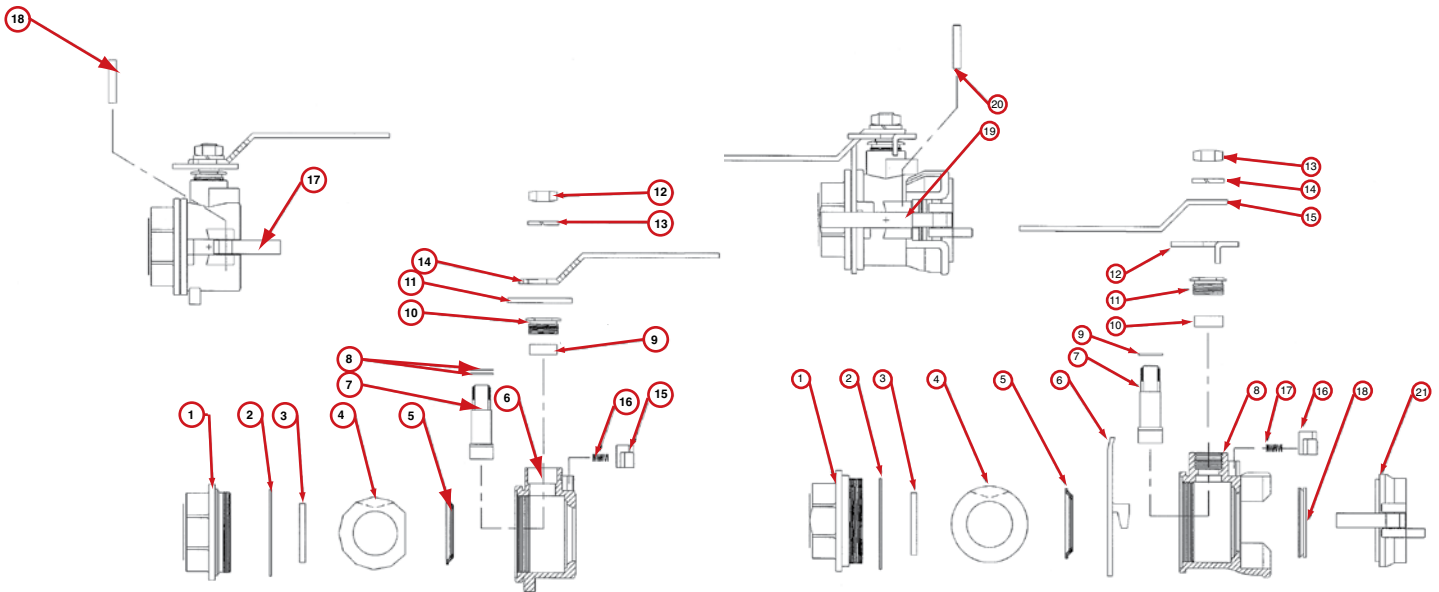
Male & Female shown coupled together. Male & Female sold separately as shown below.

2" STAINLESS STEEL DRY-MATE						
PART NO	DESCRIPTION	MAX PIPE PSI	PIPE SIZE	OPENING THRU BALL	QTY	PRICE
DM200ASS	2" Male x NPT w/PTFE Seals	100	2"	1½"	1	\$950.99
DM200ABSS	2" Male x BSP w/PTFE Seals	100	2"	1½"	1	\$950.99
DM200DSS	2" Female x NPT w/FKM (viton type) Seals	100	2"	1½"	1	\$1,443.47
DM200DSSE	2" Female x NPT w/EPDM Seals	100	2"	1½"	1	\$1,443.47
DM200DSST	2" Female x NPT w/Kalrez® Seals	100	2"	1½"	1	\$3,956.80
DM200DBSS	2" Female x BSP w/FKM (viton type) Seals	100	2"	1½"	1	\$1,443.47
DM200DBSSE	2" Female x BSP w/EPDM Seals	100	2"	1½"	1	\$1,443.47
DM200DBSST	2" Female x BSP w/Kalrez® Seals	100	2"	1½"	1	\$3,956.80



Male & Female sold separately as shown below.





REPLACEMENT PARTS DM200ASS				
ITEM	PART NO	DESCRIPTION	QTY	PRICE
1	DM15256MSS	2" NPT End Plate	1	\$172.79
1	DM15256MBSS	2" Male BSP End Plate	1	\$172.79
2	DM15204SS*	Body Gasket PTFE	1	\$2.73
3	VE20258A*	Seat PTFE	1	\$10.85
4	DM15255MSS*	Ball	1	\$59.66
5	DB20258*	Seat PTFE	1	\$23.84
6	DM15154MSS	Valve Body	1	\$400.14
7	DM15151SS	Stem	1	\$44.10
8	VSS15060*	Thrust Bearing PTFE	2	\$1.89
9	VSS15160*	Stem Packing PTFE	1	\$6.27
10	VSS15159	Packing Nut	1	\$16.83
11	DM15155SS	Interlock Cam	1	\$39.81
12	VSS15020	5/8" - 18 Jam Nut	1	\$2.36
13	VSS15021	5/8" Lock Washer	1	\$2.36
14	DM15153SS	Handle	1	\$57.29
15	DM15288SS	Button	1	\$18.69
16	DB20281	Spring	2	\$3.63
17	DM20300	Profile Insert	2	\$13.33
18	200P	Pin	2	\$1.04
N/S	DM200ACAP	Dust Cap	1	\$72.23
N/S	V20207	Lanyard	1	\$2.19
N/S	DM201SS	Repair Kit	1	\$108.21

REPLACEMENT PARTS DM200DSS				
ITEM	PART NO	DESCRIPTION	QTY	PRICE
1	DM15256FSS	2" NPT End Plate	1	\$172.79
1	DM15256FBSS	2" Female BSP End Plate	1	\$172.79
2	DM15204SS*	Body Gasket PTFE	1	\$2.73
3	V20258*	Seat PTFE	1	\$9.98
4	DM15255FSS*	Ball	1	\$124.14
5	DB20258*	Body	1	\$23.84
6	DM15289SS	Locking Yoke	1	\$61.83
7	DM15151SS	Stem	1	\$44.10
8	DM15154FSS	Body	1	\$538.36
9	VSS15060*	Thrust Bearing PTFE	1	\$1.89
10	VSS15160*	Stem Packing PTFE	1	\$6.27
11	VSS15159	Packing Nut	1	\$16.83
12	DM15154SS	Interlock Cam	1	\$39.81
13	VSS15020	5/8" - 18 Jam Nut	1	\$2.36
14	VSS15021	5/8" Lock Washer	1	\$2.36
15	DM15153SS	Handle	1	\$57.29
16	DM15288SS	Button	1	\$18.69
17	DB20281	Spring	1	\$3.63
18	DM20294A*	FKM (viton type) Face Seal	1	\$47.30
18	DM20295A*	EPDM Face Seal	1	\$46.37
18	DM20296*	Kalrez® Face Seal	1	\$1,736.44
19	DM200KX	Cam Arm	2	\$19.81
20	200P	Pin	2	\$1.04
21	DM200APL	Dust Plug	1	\$70.00
N/S	V20207	Lanyard	1	\$2.19
N/S	DM202SSV	FKM (viton type) Repair Kit	1	\$181.79
N/S	DM202SSE	EPDM Repair Kit	1	\$181.79
N/S	DM202SST	Kalrez® Repair Kit	1	\$1,991.44

Items shown with * are included in the repair kit. Only 1 face seal will be provided with each kit and it is identified by the repair kit number.

2" Full Port Stainless Steel Dry-Disconnect

FEATURES

- 316 stainless steel construction.
- FKM (viton type) standard, EPDM face seals available.
- 100% PTFE ball seats.
- 300 P.S.I. maximum operating pressure.
- 300°F maximum operating temperature.
- Spillage data: Less than 1cc.
- Filled valve for no product residue.
- 20 Degrees rotation either direction to ease coupling male and female halves.
- When liquid is flowing, Dry-Mate halves cannot be uncoupled without turning handles to closed position.
- When Dry-Mate halves are apart, handles cannot be turned to open position.

APPLICATIONS

- Agriculture
- Industrial
- Pharmaceutical
- Chemical processing

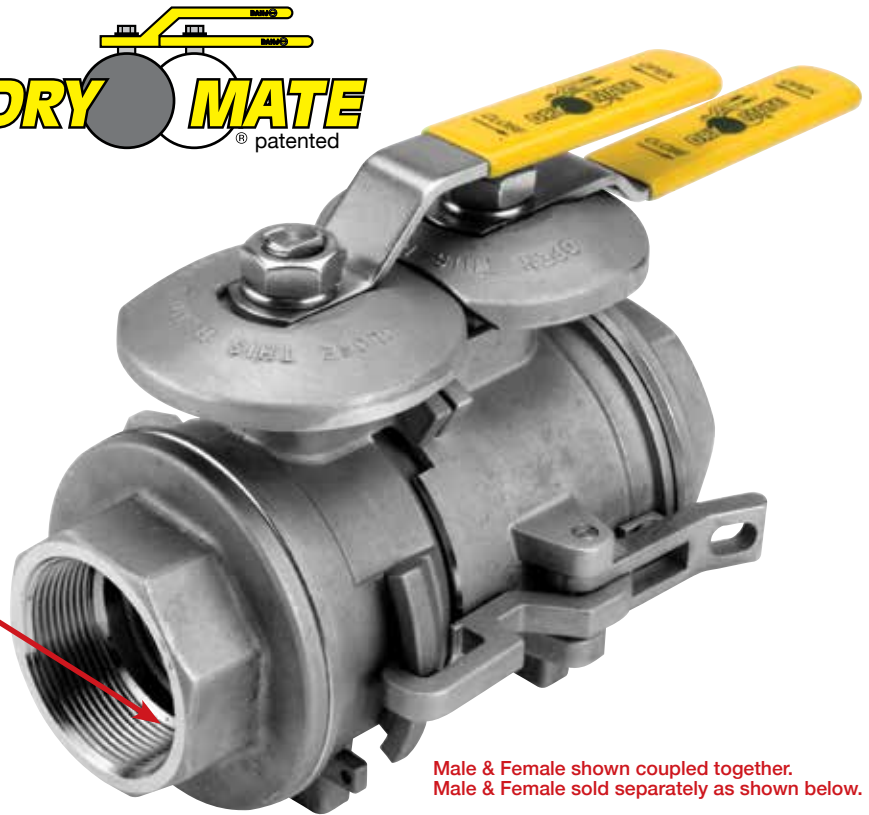
SIZES

- Sizes: 2" Full Port (Female NPT & BSP Threads)

PREVENTS ACCIDENTAL SPILLS AND EXPOSURE!



Available with Female NPT or BSP Threads



Male & Female shown coupled together. Male & Female sold separately as shown below.

2" FULL PORT STAINLESS STEEL DRY-MATE

PART NO	DESCRIPTION	MAX PIPE PSI	PIPE SIZE	OPENING THRU BALL	QTY	PRICE
DM220ASS	2" FP Male x NPT Threads w/ all PTFE Seals	300	2"	2"	1	\$1,236.31
DM220DSS	2" FP Female x NPT Threads w/ FKM (viton type) Seals	300	2"	2"	1	\$1,876.51
DM220DSSE	2" FP Female x NPT Threads w/EPDM Seals	300	2"	2"	1	\$1,876.51
DM220DSST	2" FP Female x NPT Threads w/Kalrez® Seals	300	2"	2"	1	\$2,199.99
DM220ABSS	2" FP Male x BSP Threads w/ all PTFE Seals	300	2"	2"	1	\$1,236.31
DM220DBSS	2" FP Female x BSP Threads w/ FKM (viton type) Seals	300	2"	2"	1	\$1,876.51
DM220DBSSE	2" FP Female x BSP Threads w/EPDM Seals	300	2"	2"	1	\$1,876.51

NEW!



New face seal design for easy seal interchange! No need to disassemble the valve to change face seals.

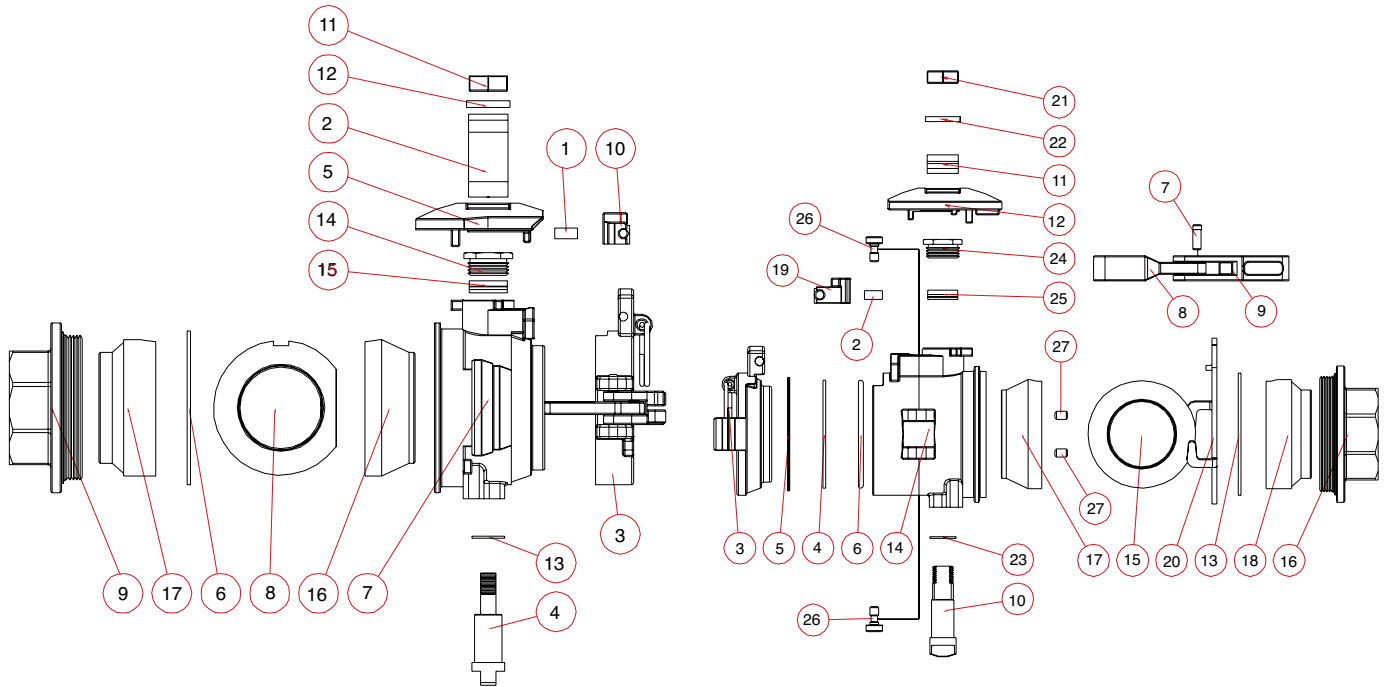


Male Dry-Mate



Female Dry-Mate

Male & Female Sold Separately



REPLACEMENT PARTS DM220ASS				
ITEM	PART NO	DESCRIPTION	QTY	PRICE
1	DB20281	Button Spring	2	\$3.63
2	DM25153SSM	2" Male Handle	1	\$57.29
3	DM220CAP	Dust Cap	1	\$80.30
4	DM25151SS	Stem	1	\$60.28
5	DM25155SS	Male Handle Interlock	1	\$50.33
6	DM25204SS*	Body Shim	1	\$11.73
7	DM25254MSS	Body	1	\$778.66
8	DM25255SSH	Ball	1	\$191.20
9	DM25256SS	End Plate	1	\$159.93
10	DM25288MSS	Safety Button	1	\$18.90
11	VSS15020	5/8" - 20 Jam Nut	1	\$2.36
12	VSS15021	5/8" Lock Washer	1	\$2.36
13	VSS15060*	Stem Packing	1	\$1.89
14	VSS15159	Packing Nut	1	\$16.83
15	VSS15160*	Stem Shim	1	\$6.27
16	DM25258FV1*	Filled Valve Body Seat	1	\$124.64
17	DM25258FV2*	Filled Valve End Plate Seat	1	\$131.68
18	DM221SS	Repair Kit	1	\$276.85

REPLACEMENT PARTS DM220DSS				
ITEM	PART NO	DESCRIPTION	QTY	PRICE
2	DB20281	Button Spring	2	\$3.63
3	DM220PL	Dust Plug	1	\$73.51
4	DM25001	Seal Ring	1	\$10.00
5	DM25002	Snap Ring	1	\$29.40
6	MLS234G	EPDM 234 O-Ring (old style)	1	\$1.81
6	MLS234GV*	FKM (viton type) 234 O-Ring (old style)	1	\$6.56
6	DM25294	2" FP FKM(viton type) Face Seal (new style)	1	\$43.70
6	DM25294T	2" FP Kalrez® Face Seal	1	\$1,421.94
7	DM25004	Groove Pin	2	\$11.23
8	DM25009	Clamp Arm	2	\$30.28
9	DM25010	Clamp Lever (old style)	2	\$30.28
9	DM25010A	Clamp Lever (new style)	2	\$40.26
10	DM25151SS	Stem	1	\$60.28
11	DM25153SSF	Female Handle	1	\$57.29
12	DM25154SS	Female Handle Interlock	1	\$55.61
13	DM25204SS*	Body Shim	4	\$11.73
14	DM25254FSS	Body	1	\$948.48
15	DM25255SSH	Ball	1	\$150.63
16	DM25256SS	End Plate	1	\$159.93
17	DM25258FV1*	Filled Valve Body Seat PTFE	1	\$124.64
18	DM25258FV2*	Filled Valve Body Plate Seat PTFE	1	\$131.68
19	DM25288FSS	Interlock Button	1	\$18.90
20	DM25289SS	Locking Yoke	1	\$96.89
21	VSS15020	5/8" - 20 Jam Nut	1	\$2.36
22	VSS15021	5/8" Lock Washer	1	\$2.36
23	VSS15060*	Stem Packing	1	\$1.89
24	VSS15159	Packing Nut	1	\$16.83
25	VSS15160*	Stem Shim	1	\$6.27
26	DM25018	Cam Lever Pin (old style)	4	\$13.96
26	DM25018A	Cam Lever Pin (new style)	4	\$8.84
27	DM25020	#10-24 x 5/16" Set Screw	4	\$6.57
N/S	DM222SS	Repair Kit	1	\$360.80

Valve repair kits contain items marked with asterisk *.

DRY-DISCONNECTS

Closed Transfer System

FEATURES

- Allows to safely and properly flush chemical containers.



CTS200D



CTS200AR



CLOSED TRANSFER SYSTEM ADAPTERS						
PART NO	DESCRIPTION	MAX PSI	PIPE SIZE	QTY	PRICE	
CTS200AR	Closed Mix Bottle Adapter	40	63 mm btl	1	\$114.77	
CTS200D	Tank Adapter w/2" Male NPT Threads	40	2"	1	\$191.29	

IBC Spin Weld Ball Valves



W230233



W230234



W230235



W230236



W230237



W230238



W230239



W230240

SPINWELD BALL VALVES							
PART NO	DESCRIPTION	GASKET MATERIAL	COLLAR FITS	COLLAR NUMBER	COLLAR ID	QTY	PRICE
W230233	2" Poly Spinweld Valve w/NPT Outlet & Cap	FKM (viton type)	MAUSER®	V22283 C & D	2¼"	24/box	\$81.51
W230234	2" Poly Spinweld Valve w/QDC Outlet & Cap	FKM (viton type)	MAUSER®	V22283 C & D	2¼"	24/box	\$81.51
W230235	2" Poly Spinweld Valve w/NPT Outlet & Cap	EPDM	MAUSER®	V22283 C & D	2¼"	24/box	\$77.51
W230236	2" Poly Spinweld Valve w/QDC Outlet & Cap	EPDM	MAUSER®	V22283 C & D	2¼"	24/box	\$77.51
W230237	2" Poly Spinweld Valve w/NPT Outlet & Cap & Foil Seal	FKM (viton type)	MAUSER®	V22283 C & D	2¼"	24/box	\$82.85
W230238	2" Poly Spinweld Valve w/QDC Outlet & Cap & Foil Seal	FKM (viton type)	MAUSER®	V22283 C & D	2¼"	24/box	\$82.85
W230239	2" Poly Spinweld Valve w/NPT Outlet & Cap & Foil Seal	EPDM	MAUSER®	V22283 C & D	2¼"	24/box	\$78.85
W230240	2" Poly Spinweld Valve w/QDC Outlet & Cap & Foil Seal	EPDM	MAUSER®	V22283 C & D	2¼"	24/box	\$77.46

Spin Weld Ball Valves

FEATURES

- PTFE valve seats.
- FKM (viton type) stem o-rings.
- Polypropylene.
- Zinc alloy collar.
- Maximum operating pressure 20 P.S.I. @ 70° F.
- FKM (viton type), EPDM, and Santoprene collar gaskets available for most valves.
- Handles close in either direction.

*See caps
on page 111!*

Identifying collar number found here.



WSF223MR MAUSER®



WSMT223MR MAUSER®



WSF210 SCHUTZ®



WSMT210 SCHUTZ®

SPINWELD BALL VALVES

PART NO	DESCRIPTION	GASKET MATERIAL	COLLAR FITS	COLLAR NUMBER	COLLAR ID	QTY	PRICE
WSMT223MR	2" Poly Spinweld Valve w/NPT Outlet	EPDM	MAUSER®	V22283 C & D	2¼"	24/box	\$72.11
WSF223MR	2" Poly Spinweld Valve w/QDC Outlet	EPDM	MAUSER®	V22283 C & D	2¼"	24/box	\$72.11
WSMT223MRV	2" Poly Spinweld Valve w/NPT Outlet	FKM (viton type)	MAUSER®	V22283 C & D	2¼"	24/box	\$72.11
WSF223MRV	2" Poly Spinweld Valve w/QDC Outlet	FKM (viton type)	MAUSER®	V22283 C & D	2¼"	24/box	\$72.11
WSF210	2" Poly Spinweld Valve w/QDC Outlet	Santoprene	SCHUTZ®	V20280 A & B	2¾"	24/box	\$64.20
WSF210V	2" Poly Spinweld Valve w/QDC Outlet	FKM (viton type)	SCHUTZ®	V20280 A & B	2¾"	24/box	\$67.51
WSF210FSA	2" Poly Spinweld Valve w/QDC Outlet, Foil Seal & Cap	Santoprene	SCHUTZ®	V20280 A & B	2¾"	24/box	\$70.86
WSF210FSAV	2" Poly Spinweld Valve w/QDC Outlet, Foil Seal & Cap	FKM (viton type)	SCHUTZ®	V20280 A & B	2¾"	24/box	\$74.27
WSMT210	2" Poly Spinweld Valve w/NPT Outlet	Santoprene	SCHUTZ®	V20280 A & B	2¾"	24/box	\$64.20
WSMT210FSA	2" Poly Spinweld Valve w/NPT Outlet, Foil Seal & Cap	Santoprene	SCHUTZ®	V20280 A & B	2¾"	24/box	\$50.08
WSMT210FSAV	2" Poly Spinweld Valve w/NPT Outlet, Foil Seal & Cap	FKM (viton type)	SCHUTZ®	V20280 A & B	2¾"	24/box	\$74.27

Note: Please contact our sales department for optional gasket materials.

IBC (Intermediate Bulk Container) Bolted Ball Valves

FEATURES

- PTFE valve seats.
- FKM (viton type) stem o-rings.
- Polypropylene.
- Lightweight.
- Zinc alloy collar.
- Maximum operating pressure 20 P.S.I. @ 70° F.
- FKM (viton type), EPDM, and collar gaskets available.



Identifying collar number found here.



BOLTED BALL VALVES						
PART NO	DESCRIPTION	GASKET MATERIAL	COLLAR FITS	COLLAR NUMBER	QTY	PRICE
F-ISO11	2" Male QDC x V20283 Metal Collar w/Cap & Lanyard	FKM (viton type)	GRIEF®	V20283 A & B	24/box	\$87.19
F-IS100	2" Poly Spinweld Valve w/NPT Outlet w/Cap	EPDM	GRIEF®	V20283 A & B	24/box	\$58.23
VSF202MR	2" Male QDC x V20283 Metal Collar w/Out Cap & Lanyard	FKM (viton type)	GRIEF®	V20283 A & B	24/box	\$81.06
VSMT202MR	2" Male NPT x V20283 Metal Collar	FKM (viton type)	GRIEF®	V20283 A & B	24/box	\$71.55
VS20209	Tamper Evident Handle Seal-Numbered				1	\$0.71

FDA Union Valves

FEATURES

- Precision molded in glass reinforced polypropylene, for strength and chemical resistance.
- PTFE seats for smooth operation and proper sealing characteristics.
- Double EPDM O-rings in stem area for extra sealing protection.
- Interlocking body and end plate to allow easy thread connection when installing valves.
- Maximum operating pressure 100 P.S.I. at 70°F.



UNION VALVE ADAPTERS			
PART NO	DESCRIPTION	QTY	PRICE
MBP200	2" Buttress x 2" NPT Assembly-White	1	\$14.35
NIP2101	2" NPT x BSP Nipple-White	1	\$16.49

UNION VALVE			
PART NO	DESCRIPTION	QTY	PRICE
UV204FFPD	2" FDA Union Valve-EPDM	1	\$94.68

Polypropylene Bolted Ball Valves

FEATURES

- Glass reinforced polypropylene.
- Lightweight.
- Maximum operating pressure 100 P.S.I. @ 70°F. & 75 P.S.I. @ 150°F.



POLY BOLTED BALL VALVE				
PART NO	DESCRIPTION	OPENING THRU BALL	QTY	PRICE
VFB201	2" Male QDC x 2" Female QDC	1½"	24/box	\$101.70
200G	2" EPDM Coupling Gasket	N/A	50/bag	\$1.10
200GV	2" FKM (viton type) Coupling Gasket	N/A	50/bag	\$17.83

POLY BOLTED BALL VALVE				
PART NO	DESCRIPTION	OPENING THRU BALL	QTY	PRICE
VSFB201	2" Male QDC Stubby Valve x 2" Female QDC	1½"	24/box	\$103.18
200G	2" EPDM Coupling Gasket	N/A	50/bag	\$1.10
200GV	2" FKM (viton type) Coupling Gasket	N/A	50/bag	\$17.83
VS20200	Repair Kit	N/A	1	\$48.39



POLY BOLTED BALL VALVE				
PART NO	DESCRIPTION	OPENING THRU BALL	QTY	PRICE
VSFTF202A	2" Male QDC x Four Bolt Tank Adapter w/Cap & Lanyard	1½"	24/box	\$105.87
VTF200GT	PTFE Encapsulated Silicone O-Ring for VSFTF202A	N/A	1	\$31.33
VS20200	Repair Kit	N/A	1	\$48.39

POLY BOLTED BALL VALVE						
PART NO	DESCRIPTION	MAX PSI	PIPE SIZE	OPENING THRU BALL	QTY	PRICE
VSFMT200	2" Male Adapter x 2" Male NPT	100	2"	1½"	24/box	\$68.54

Poly IBC/Spray Tank Lids



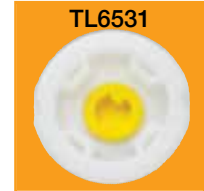
6" IBC SOLID TANK LIDS				
PART NO	DESCRIPTION	GASKET	QTY	PRICE
TL650S	6" Solid Tank Lid w/Gasket	Santoprene	1	\$15.43
TL650E	6" Solid Tank Lid w/Gasket	EPDM	1	\$16.88

6" IBC TANK LIDS W/UNVENTED 2" PLUG				
PART NO	DESCRIPTION	GASKET	QTY	PRICE
TL651S	6" Tank Lid w/Unvented 2" Plug w/Gasket	Santoprene	1	\$16.77
TL651E	6" Tank Lid w/Unvented 2" Plug w/Gasket	EPDM	1	\$18.23



6" IBC TANK LIDS W/VENTED 2" PLUG				
PART NO	DESCRIPTION	GASKET	QTY	PRICE
TL652S	6" Tank Lid w/Vented 2" Plug w/Gasket	Santoprene	1	\$17.83
TL652E	6" Tank Lid w/Vented 2" Plug w/Gasket	EPDM	1	\$19.28

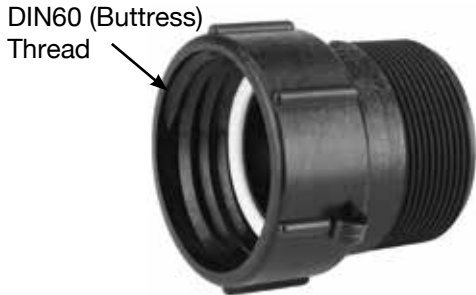
5 1/2" LIDS FOR SPRAY TANKS			
PART NO	DESCRIPTION	QTY	PRICE
TL600	5 1/2" Non-Vented Tank Lid	1	\$9.99
TL600C	5 1/2" Vented Tank Lid	1	\$14.27



6" EPA TANK LIDS W/VENTED 2" PLUG				
PART NO	DESCRIPTION	GASKET	QTY	PRICE
TL652EPA	6" EPA Tank Lid w/Vented 2" Plug	EPDM	1	\$22.45

2" VENTED & NON-VENTED BUNG PLUGS			
PART NO	DESCRIPTION	QTY	PRICE
231EPA	EPA plug with Non-Removable Vent	1	\$8.34
231MPT	2" MPT Solid Bung w/EPDM Gasket	1	\$7.25
231MPTBN	2" MPT Solid Bung w/Buna Nitrile Gasket	1	\$7.25
TL6531	2" Vented Plug w/EPDM Gasket	1	\$14.73

IBC Polypropylene Accessories



2" BUTTRESS X 2" MALE NPT				
PART NO	DESCRIPTION	GASKET	QTY	PRICE
TA283	2" Buttress x 2" Male NPT Threads w/Gasket	Santoprene	1	\$23.34

2" BUTTRESS X 2" MALE ADAPTER				
PART NO	DESCRIPTION	GASKET	QTY	PRICE
TA283QD	2" Buttress x 2" Male Adapter QDC w/Gasket	Santoprene	1	\$18.18



201FPT



211FPT



60FDIN



2" FEMALE NPT CAP			
PART NO	DESCRIPTION	QTY	PRICE
201FPT	2" Female NPT Cap	1	\$5.07
211FPT	2" Female NPT Cap	1	\$5.07
60FDIN	60 MM DIN Cap (Buttress Thread)	1	\$5.07

LANYARD			
PART NO	DESCRIPTION	QTY	PRICE
V20207	11" Polyurethane Lanyard	1	\$2.19



200CAPSH



200CAP



201CAPSH



202CAP

2" CAM LEVER DUST CAP			
PART NO	DESCRIPTION	QTY	PRICE
200CAPSH	2" Cam Lever Dust Cap w/short arms	1	\$20.37
200CAP	2" Cam Lever Dust Cap	1	\$20.37

2" CAM LEVER DUST CAP			
PART NO	DESCRIPTION	QTY	PRICE
201CAPSH	2" Cam Lever Dust Cap w/short arms & rings	1	\$20.37
202CAP	2" Cam Lever Dust Cap	1	\$14.81

Poly Bolted Tank Flanges

FEATURES

- Stainless steel bolts.
- Bolt head plugs sealed ultrasonically.
- Glass reinforced polypropylene.
- EPDM gaskets standard & FKM (viton type) available.



BF300



IBC/TANK ACC.

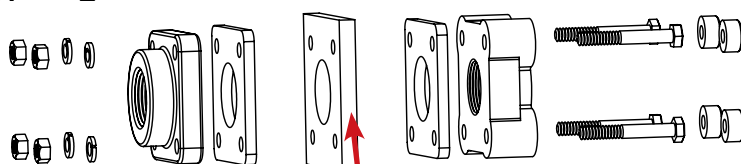
POLY BOLTED TANK FLANGES			
PART NO	DESCRIPTION	QTY	PRICE
BF075	3/4" x 1" Threaded EPDM Flange	27	\$49.46
BF075V	3/4" x 1" Threaded FKM (viton type) Flange	27	\$97.42
BF100	1" x 1" Threaded EPDM Flange	27	\$49.46
BF100V	1" x 1" Threaded FKM (viton type) Flange	27	\$67.01
BF125	1 1/4" x 1" Threaded EPDM Flange	27	\$49.46
BF150	1 1/2" x 2" Threaded EPDM Flange	27	\$40.57
BF150V	1 1/2" x 2" Threaded FKM (viton type) Flange	27	\$134.90
BF200	2" x 2" Threaded EPDM Flange	27	\$40.57
BF200V	2" x 2" Threaded FKM (viton type) Flange	27	\$134.90
BF220	2" x 2" Full Port Threaded EPDM Flange	27	\$53.07
BF220V	2" x 2" Full Port Threaded FKM (viton type) Flange	27	\$134.90
BF300	3" x 3" Threaded EPDM Flange	16	\$72.41
BF300V	3" x 3" Threaded FKM(viton type) Flange	16	\$203.87

BOLTED TANK FLANGE GASKETS			
PART NO	DESCRIPTION	QTY	PRICE
BF100GE	1" Full EPDM Gasket	1	\$3.72
BF100GV	1" Full FKM(viton type) Gasket	1	\$32.08
BF200GE	1 1/2" & 2" Full EPDM Gasket	1	\$5.24
BF200GV	1 1/2" & 2" Full FKM(viton type) Gasket	1	\$31.27
BF220GE	2" Full Port EPDM Gasket	1	\$13.50
BF220GV	2" Full Port FKM(viton type) Gasket	1	\$71.94
BF300GE	3" Full EPDM Gasket	1	\$14.23
BF300GV	3" Full FKM(viton type) Gasket	1	\$146.89

Longer bolts available for thick tank walls. See page 235.

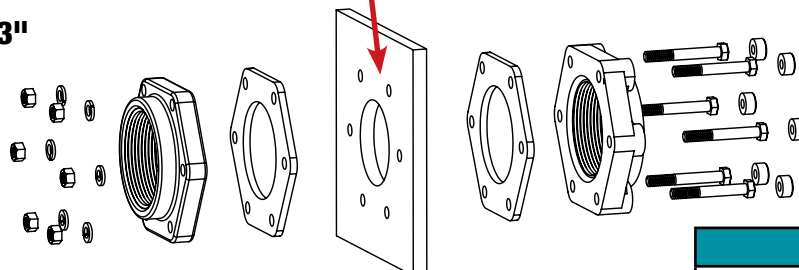
*WARNING: Do not tighten tank flange bolts more than 12 ft pounds.

3/4" — 2"



Tank Wall

3"



BANJO MAN			
PART NO	DESCRIPTION	QTY	PRICE
BANJOMAN	18" x 29" - Assembly Required	1	\$208.07



Poly Bolted "Bottom Drain" Tank Flanges

PATENTED

FEATURES

- Stainless steel bolts.
- Bolt head plugs sealed ultrasonically.
- Glass reinforced polypropylene.
- EPDM gaskets standard.
FKM (viton type) available.
- Longer bolts available.

Longer bolts Available on page 235!

Ultrasonically Sealed!

100% Fully Drainable!

Foot Gasket (4 ea.)

Full Gasket (1 ea.)



BF300BD

- Allows 100% Rinse Free – No Sediment Build Up!
- Excellent for avoiding herbicide cross contamination!
- Bolted design for superior strength!
- Fits most cone bottom & chemical inductor tanks, 30 gallon sand larger.

POLY BOTTOM DRAIN BOLTED TANK FLANGES			
PART NO	DESCRIPTION	QTY	PRICE
BF075BD	3/4" x 1" Threaded EPDM Flange	27	\$49.46
BF075BDV	3/4" x 1" Threaded FKM (viton type) Flange	27	\$74.94
BF100BD	1" x 1" Threaded EPDM Flange	27	\$49.46
BF100BDV	1" x 1" Threaded FKM (viton type) Flange	27	\$74.94
BF125BD	1 1/4" x 1" Threaded EPDM Flange	27	\$49.46
BF125BDV	1 1/4" x 1" Threaded FKM (viton type) Flange	27	\$74.94
BF150BD	1 1/2" x 2" Threaded EPDM Flange	27	\$47.05
BF150BDV	1 1/2" x 2" Threaded FKM (viton type) Flange	27	\$142.41
BF200BD	2" x 2" Threaded EPDM Flange	27	\$47.05
BF200BDV	2" x 2" Threaded FKM (viton type) Flange	27	\$134.90
BF220BD	2" x 2" Full Port Threaded EPDM Flange	27	\$53.07
BF220BDV	2" x 2" Full Port Threaded FKM (viton type) Flange	27	\$142.41
BF300BD	3" x 3" Threaded EPDM Flange	16	\$87.72
BF300BDV	3" x 3" Threaded FKM(viton type) Flange	27	\$217.35

POLY BOTTOM DRAIN BOLTED TANK FLANGE GASKETS			
PART NO	DESCRIPTION	QTY	PRICE
BF100GE	3/4", 1" & 1 1/4" Full EPDM Gasket	1	\$3.72
BF100GV	3/4", 1" & 1 1/4" Full FKM(viton type) Gasket	1	\$32.08
BF100GRE	3/4", 1" & 1 1/4" Foot EPDM Gasket	4	\$1.49
BF100GRV	3/4", 1" & 1 1/4" Foot FKM(viton type) Gasket	4	\$7.50
BF200GE	1 1/2" & 2" Full EPDM Gasket	1	\$5.24
BF200GV	1 1/2" & 2" Full FKM(viton type) Gasket	1	\$31.27
BF200GFE	1 1/2" & 2" Std. Port, 2" Full Port Foot EPDM Gasket	4	\$3.00
BF200GFV	1 1/2" & 2" Std. Port, 2" Full Port Foot FKM (viton type) Gasket	4	\$7.50
BF220GE	2" Full Port EPDM Gasket	1	\$13.50
BF220GV	2" Full Port FKM(viton type) Gasket	1	\$71.94
BF300GE	3" Full EPDM Gasket	1	\$14.23
BF300GV	3" Full FKM(viton type) Gasket	1	\$146.89
BF300GFE	3" Foot EPDM Gasket	6	\$5.99
BF300GFV	3" Foot FKM(viton type) Gasket	6	\$11.99

Bulkhead Tank Fittings

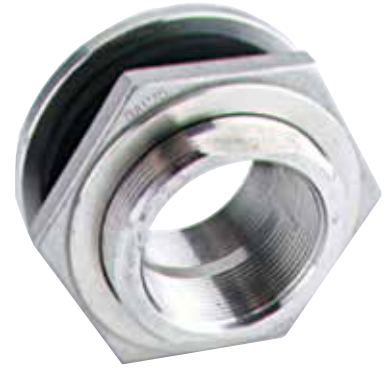
FEATURES

- Double sided female NPT threads.
- Available with EPDM or FKM (viton type) gasket.



FEATURES

- Double sided female NPT threads.
- Standard with EPDM gasket, FKM (viton type) available.



POLY BULKHEAD FITTINGS

PART NO	DESCRIPTION	HOLE SIZE	QTY	PRICE
TF050	1/2" Poly Bulkhead EPDM Tank Fitting	1 5/8"	1	\$10.73
TF050V	1/2" Poly Bulkhead FKM(viton type) Tank Fitting	1 5/8"	1	\$20.99
TF075	3/4" Poly Bulkhead EPDM Tank Fitting	1 5/8"	1	\$10.73
TF075V	3/4" Poly Bulkhead FKM(viton type) Tank Fitting	1 5/8"	1	\$20.99
TF100	1" Poly Bulkhead EPDM Tank Fitting	2 1/4"	1	\$12.76
TF100V	1" Poly Bulkhead FKM(viton type) Tank Fitting	2 1/4"	1	\$28.03
TF125	1 1/4" Poly Bulkhead EPDM Tank Fitting	2 1/4"	1	\$14.86
TF125V	1 1/4" Poly Bulkhead FKM(viton type) Tank Fitting	2 1/4"	1	\$28.03
TF150	1 1/2" Poly Bulkhead EPDM Tank Fitting	3"	1	\$22.86
TF150V	1 1/2" Poly Bulkhead FKM(viton type) Tank Fitting	3"	1	\$34.48
TF200	2" Poly Bulkhead EPDM Tank Fitting	3"	1	\$22.86
TF200V	2" Poly Bulkhead FKM(viton type) Tank Fitting	3"	1	\$38.97
TF200BSP	2" Poly Bulkhead BSP Tank Fitting	3"	1	\$22.86
TF220	2" Poly Bulkhead EPDM Tank Fitting	3 1/4"	1	\$29.24
TF220V	2" Poly Bulkhead FKM(viton type) Tank Fitting	3 1/4"	1	\$70.60
TF300	3" Poly Bulkhead EPDM Tank Fitting	4 1/2"	1	\$49.00
TF300V	3" Poly Bulkhead FKM(viton type) Tank Fitting	4 1/2"	1	\$94.80
TF300BSP	3" Poly Bulkhead BSP Tank Fitting	4 1/2"	1	\$50.04
TF400	4" Poly Bulkhead EPDM Tank Fitting	5 3/4"	1	\$133.93
TF400V	4" Poly Bulkhead FKM(viton type) Tank Fitting	5 3/4"	1	\$221.26

316 SS BULKHEAD FITTINGS

PART NO	DESCRIPTION	HOLE SIZE	QTY	PRICE
TF038SS	3/8" SS Bulkhead Tank Fitting	1"	1	\$103.44
TF050SS	1/2" SS Bulkhead Tank Fitting	1 3/8"	1	\$137.08
TF075SS	3/4" SS Bulkhead Tank Fitting	1 5/8"	1	\$203.96
TF100SS	1" SS Bulkhead Tank Fitting	2 1/4"	1	\$248.25
TF125SS	1 1/4" SS Bulkhead Tank Fitting	2 1/4"	1	\$248.25
TF150SS	1 1/2" SS Bulkhead Tank Fitting	3"	1	\$311.87
TF200SS	2" SS Bulkhead Tank Fitting	3"	1	\$311.87
TF220SS	2" SS Bulkhead Tank Fitting	3 1/4"	1	\$329.18
TF300SS	3" SS Bulkhead Tank Fitting	4 3/8"	1	\$504.36

POLY TANK NUTS

PART NO	DESCRIPTION	QTY	PRICE
TF073	1/2" & 3/4" Poly Tank Nuts	1	\$6.36
TF103	1" & 1 1/4" Poly Tank Nuts	1	\$4.88
TF153	1 1/2" & 2" Poly Tank Nuts	1	\$4.88
TF223	2" Poly Tank Nuts	1	\$13.34
TF303	3" Poly Tank Nuts	1	\$23.22
TF403	4" Poly Tank Nuts	1	\$51.24

BULKHEAD GASKETS

PART NO	DESCRIPTION	HOLE SIZE	FITS POLY	FITS SS	QTY	PRICE
100G	3/8" Poly Bulkhead EPDM Gasket	1"		TF038SS	100/bag	\$0.98
100GV	3/8" Poly Bulkhead FKM(viton type) Gasket	1"		TF038SS	100/bag	\$11.06
TF138GV	1/2" Poly Bulkhead FKM(viton type) Gasket	1 3/8"		TF050SS	100/bag	\$12.15
150G	1/2" & 3/4" Poly Bulkhead EPDM Gasket	1 5/8"	TF050 & TF075	TF075SS	100/bag	\$1.04
150GV	1/2" & 3/4" Poly Bulkhead FKM(viton type) Gasket	1 5/8"	TF050 & TF075	TF075SS	50/bag	\$11.51
200G	1" & 1 1/4" Poly Bulkhead EPDM Gasket	2 1/4"	TF100 & TF125	TF100SS & TF125SS	50/bag	\$1.10
200GV	1" & 1 1/4" Poly Bulkhead FKM(viton type) Gasket	2 1/4"	TF100 & TF125	TF100SS & TF125SS	50/bag	\$17.83
300G	1 1/2" & 2" Poly Bulkhead EPDM Gasket	3"	TF200 & TF150	TF200SS & TF150SS	25/bag	\$1.51
300GV	1 1/2" & 2" Poly Bulkhead FKM(viton type) Gasket	3"	TF200 & TF150	TF200SS & TF150SS	25/bag	\$24.48
TF220G	2" Poly Bulkhead EPDM Gasket	3 1/4"	TF220	TF220SS	50/bag	\$5.63
TF220GV	2" Poly Bulkhead FKM(viton type) Gasket	3 1/4"	TF220	TF220SS	50/bag	\$50.03
TF300G	3" Poly Bulkhead EPDM Gasket	4 1/2"	TF300	TF300SS	20/bag	\$9.74
TF300GV	3" Poly Bulkhead FKM(viton type) Gasket	4 1/2"	TF300	TF300SS	20/bag	\$47.96
TF400G	4" Poly Bulkhead EPDM Gasket	5 3/4"	TF400		1	\$18.34
TF400GV	4" Poly Bulkhead FKM(viton type) Gasket	5 3/4"	TF400		1	\$98.99

Anti Vortex Vent Cap

FEATURES

- Male NPT.
- Glass reinforced polypropylene.
- 304 stainless steel screen (optional).



Prevents Swirl!



POLY ANTI VORTEX VENT CAPS						
PART NO	DESCRIPTION	BORE SIZE	BORE AREA	VENT AREA	QTY	PRICE
VC200	2" Anti Vortex Vent Cap w/No Screen	2"	3.1 sq in	3.9 sq in	1	\$18.28
VC230	2" Anti Vortex Vent Cap w/12 Mesh 304 SS Screen	2"	3.1 sq in	3.9 sq in	1	\$20.83
VC300	3" Anti Vortex Vent Cap w/No Screen	3"	7 sq in	9 sq in	1	\$28.85
VC330	3" Anti Vortex Vent Cap w/10 Mesh 304 SS Screen	3"	7 sq in	9 sq in	1	\$35.23

Tank flange sold separately on page 113.

IBC/TANK ACCESSORIES

Anti Vortex Tank Flange

FEATURES

- Standard w/FKM (viton type).
- Prevents swirl in bottom of tank.

Prevents Swirl!



ANTI VORTEX TANK FLANGES				
PART NO	DESCRIPTION	HOLE SIZE	QTY	PRICE
TF100AV	1" Anti Vortex Tank Flanges	2 1/4"	1	\$25.46
TF125AV	1 1/4" Anti Vortex Tank Flanges	2 1/4"	1	\$25.46
TF150AV	1 1/2" Anti Vortex Tank Flanges	3"	1	\$31.84
TF200AV	2" Anti Vortex Tank Flanges	3"	1	\$31.84

Poly Tank Lids

FEATURES

- Maximum air flow through vent channels.
- Airflow equivalent to a 3" hole.
- No secondary venting needed.
- Baffled vents.

Vent Cover



Center Vent

Goes in underside of lid.



10" VENTED TANK LIDS

PART NO	DESCRIPTION	QTY	PRICE
TLVA10	10" Vented Tank Lid & Ring Assembly (new style)	1	\$42.55
TLA10	10" Vented Tank Lid & Ring Assembly (old style)	1	\$45.14
TLV10R	10" Vented Tank Lid Assembly w/o Ring	1	\$25.39
TLV1	Vent Cover	1	\$2.57
TLV2	Center Vent	1	\$2.71
TR10	10" Vented Tank Ring Only	1	\$17.46

10" NON-VENTED TANK LIDS

PART NO	DESCRIPTION	QTY	PRICE
TL101	10" Non-Vented Tank Lid Only	1	\$23.30
TR10R1	10" Non-Vented Tank Ring Only	1	\$17.15

Poly Siphon Tubes

FEATURES

- Full flow size.
- Long length.
- Male NPT threads.

POLY SIPHON TUBES

PART NO	DESCRIPTION	QTY	PRICE
ST200	2" Poly Siphon Tube	1	\$23.22
ST300	3" Poly Siphon Tube	1	\$34.33



Polypropylene Class 150 ANSI Flanges

FEATURES

- 150 P.S.I. maximum.
- Glass reinforced polypropylene.
- Heavy duty.



150# THREADED ANSI FLANGES

PART NO	DESCRIPTION	QTY	PRICE
AF100	1" Female Thread ANSI Flange	1	\$13.79
AF150	1½" Female Thread ANSI Flange	1	\$26.45
AF200	2" Female Thread ANSI Flange	1	\$30.86
AF300	3" Female Thread ANSI Flange	1	\$49.32
AF400	4" Female Thread ANSI Flange	1	\$104.23

150# BLIND ANSI FLANGES

PART NO	DESCRIPTION	QTY	PRICE
AFB100	1" Blind ANSI Flange	1	\$19.51
AFB150	1½" Blind ANSI Flange	1	\$29.85
AFB200	2" Blind ANSI Flange	1	\$37.09
AFB300	3" Blind ANSI Flange	1	\$65.22
AFB400	4" Blind ANSI Flange	1	\$113.92

ANSI FLANGE GASKETS

PART NO	DESCRIPTION	QTY	PRICE
AF100G	1" ANSI Flange EPDM Gasket	1	\$5.24
AF100GV	1" ANSI Flange FKM (viton type) Gasket	1	\$50.24
AF150G	1½" ANSI Flange EPDM Gasket	1	\$8.84
AF150GV	1½" ANSI Flange FKM (viton type) Gasket	1	\$63.70
AF200G	2" ANSI Flange EPDM Gasket	1	\$9.59
AF200GV	2" ANSI Flange FKM (viton type) Gasket	1	\$93.68
AF300G	3" ANSI Flange EPDM Gasket	1	\$10.73
AF300GV	3" ANSI Flange FKM (viton type) Gasket	1	\$123.68
AF400G	4" ANSI Flange EPDM Gasket	1	\$13.28
AF400GV	4" ANSI Flange FKM (viton type) Gasket	1	\$180.64



ANSI Flange Gasket

316 Stainless Steel Cam Lever Couplings



FEATURES

- Tough 316 stainless steel to insure durability.
- Chemical resistant to protect against corrosion.
- Precision-made, investment casting high quality process to assure uniformity & proper fit.
- 150 P.S.I. maximum operating pressure.
- Versatile to interchange with all types of cam lever couplings.
- Smooth operation makes connections quick & easy.
- Standard with Buna "N" gaskets. FKM (viton type) & EPDM available. PTFE Available upon request.



WARNING: Couplings should not be disconnected under pressure or with liquid in the line.

316 STAINLESS STEEL CAM LEVER COUPLINGS

ITEM	DESCRIPTION	¾"	1"	1½"	2"	3"	4"
A	Male Adapter-Female Thread	075ASS	100ASS	150ASS	200ASS	300ASS	400ASS
B	Female Coupler-Male Thread	075BSS	100BSS	150BSS	200BSS	300BSS	400BSS
C	Female Coupler-Hose Shank	075CSS	100CSS	150CSS	200CSS	300CSS	400CSS
D	Female Coupler-Female Thread	075DSS	100DSS	150DSS	200DSS	300DSS	400DSS
E	Male Adapter-Hose Shank	075ESS	100ESS	150ESS	200ESS	300ESS	400ESS
F	Male Adapter-Male Thread	075FSS	100FSS	150FSS	200FSS	300FSS	400FSS
PL	Plug for Female Coupler	075PL/SS	100PL/SS	150PL/SS	200PL/SS	300PL/SS	400PL/SS
CAP	Cap for Male Adapter	075CAP/SS	100CAP/SS	150CAP/SS	200CAP/SS	300CAP/SS	400CAP/SS

¾" SERIES SS CAM LEVER COUPLINGS

PART NO	DESCRIPTION	MAX PSI	GASKET	QTY	PRICE
075ASS	¾" Male Adapter-¾" Female Thread	150	N/A	1	\$66.92
075BSS	¾" Female Coupler-¾" Male Thread	150	Buna	1	\$101.67
075CSS	¾" Female Coupler-¾" Hose Shank	150	Buna	1	\$98.56
075DSS	¾" Female Coupler-¾" Female Thread	150	Buna	1	\$102.66
075ESS	¾" Male Adapter-¾" Hose Shank	150	N/A	1	\$69.77
075FSS	¾" Male Adapter-¾" Male Thread	150	N/A	1	\$74.86
075CAP/SS	¾" Cap-Male Adapter	150	Buna	1	\$101.67
075PL/SS	¾" Plug-Female Coupler	150	N/A	1	\$68.35

1" SERIES SS CAM LEVER COUPLINGS

PART NO	DESCRIPTION	MAX PSI	GASKET	QTY	PRICE
100ASS	1" Male Adapter-1" Female Thread	150	N/A	1	\$67.60
100BSS	1" Female Coupler-1" Male Thread	150	Buna	1	\$115.82
100CSS	1" Female Coupler-1" Hose Shank	150	Buna	1	\$101.58
100DSS	1" Female Coupler-1" Female Thread	150	Buna	1	\$110.67
100ESS	1" Male Adapter-1" Hose Shank	150	N/A	1	\$68.35
100FSS	1" Male Adapter-1" Male Thread	150	N/A	1	\$84.19
100CAP/SS	1" Cap-Male Adapter	150	Buna	1	\$115.73
100PL/SS	1" Plug-Female Coupler	150	N/A	1	\$73.19

1½" SERIES SS CAM LEVER COUPLINGS

PART NO	DESCRIPTION	MAX PSI	GASKET	QTY	PRICE
150ASS	1½" Male Adapter-1½" Female Thread	150	N/A	1	\$69.11
150BSS	1½" Female Coupler-1½" Male Thread	150	Buna	1	\$140.73
150CSS	1½" Female Coupler-1½" Hose Shank	150	Buna	1	\$122.24
150DSS	1½" Female Coupler-1½" Female Thread	150	Buna	1	\$140.73
150ESS	1½" Male Adapter-1½" Hose Shank	150	N/A	1	\$87.25
150FSS	1½" Male Adapter-1½" Male Thread	150	N/A	1	\$107.02
150CAP/SS	1½" Cap-Male Adapter	150	Buna	1	\$131.56
150PL/SS	1½" Plug-Female Coupler	150	N/A	1	\$72.60

2" SERIES SS CAM LEVER COUPLINGS

PART NO	DESCRIPTION	MAX PSI	GASKET	QTY	PRICE
200ASS	2" Male Adapter-2" Female Thread	150	N/A	1	\$80.94
200BSS	2" Female Coupler-2" Male Thread	150	Buna	1	\$166.19
200CSS	2" Female Coupler-2" Hose Shank	150	Buna	1	\$149.71
200DSS	2" Female Coupler-2" Female Thread	150	Buna	1	\$154.54
200ESS	2" Male Adapter-2" Hose Shank	150	N/A	1	\$93.24
200FSS	2" Male Adapter-2" Male Thread	150	N/A	1	\$116.74
200CAP/SS	2" Cap-Male Adapter	150	Buna	1	\$128.54
200PL/SS	2" Plug-Female Coupler	150	N/A	1	\$84.92

3" SERIES SS CAM LEVER COUPLINGS

PART NO	DESCRIPTION	MAX PSI	GASKET	QTY	PRICE
300ASS	3" Male Adapter-3" Female Thread	150	N/A	1	\$165.69
300BSS	3" Female Coupler-3" Male Thread	150	Buna	1	\$313.88
300CSS	3" Female Coupler-3" Hose Shank	150	Buna	1	\$241.62
300DSS	3" Female Coupler-3" Female Thread	150	Buna	1	\$316.39
300ESS	3" Male Adapter-3" Hose Shank	150	N/A	1	\$185.67
300FSS	3" Male Adapter-3" Male Thread	150	N/A	1	\$230.48
300CAP/SS	3" Cap-Male Adapter	150	Buna	1	\$188.18
300PL/SS	3" Plug-Female Coupler	150	N/A	1	\$157.38

4" SERIES SS CAM LEVER COUPLINGS

PART NO	DESCRIPTION	MAX PSI	GASKET	QTY	PRICE
400ASS	4" Male Adapter-4" Female Thread	150	N/A	1	\$284.75
400BSS	4" Female Coupler-4" Male Thread	150	Buna	1	\$426.29
400CSS	4" Female Coupler-4" Hose Shank	150	Buna	1	\$394.67
400DSS	4" Female Coupler-4" Female Thread	150	Buna	1	\$427.57
400ESS	4" Male Adapter-4" Hose Shank	150	N/A	1	\$368.00
400FSS	4" Male Adapter-4" Male Thread	150	N/A	1	\$368.00
400CAP/SS	4" Cap-Male Adapter	150	Buna	1	\$299.75
400PL/SS	4" Plug-Female Coupler	150	N/A	1	\$238.14

REPLACEMENT PARTS SS CAM ARM W/RING

PART NO	DESCRIPTION	QTY	PRICE
75K	¾" Cam Arm w/Ring	1	\$3.75
100K	1" Cam Arm w/Ring	1	\$3.54
150(200)K6	1½" & 2" Cam Arm w/Ring	1	\$6.63
300K6	3" & 4" Cam Arm w/Ring	1	\$8.90

REPLACEMENT PARTS SS COUPLING PINS & RINGS

PART NO	DESCRIPTION	QTY	PRICE
75P	¾" Pin	1	\$0.85
100P	1" Pin	1	\$0.85
200P	1½" & 2" Pin	1	\$1.04
300MP	3" & 4" Pin	1	\$2.43
100RING	¾" & 1" Ring	1	\$0.70
150RING	1½", 2", 3" & 4" Ring	1	\$0.82

REPLACEMENT PARTS SS COUPLING GASKETS

PART NO	DESCRIPTION	QTY	PRICE
75GV	¾" FKM (viton type) Gasket	100	\$11.27
100GV	1" FKM (viton type) Gasket	100	\$11.06
150GV	1½" FKM (viton type) Gasket	100	\$11.51
200GV	2" FKM (viton type) Gasket	50	\$17.83
300GV	3" FKM (viton type) Gasket	25	\$24.48
400GV	4" FKM (viton type) Gasket	25	\$32.06

REPLACEMENT PARTS SS COUPLING GASKETS

PART NO	DESCRIPTION	QTY	PRICE
75GB	¾" Buna Gasket	100	\$1.13
100GB	1" Buna Gasket	100	\$1.13
150GB	1½" Buna Gasket	100	\$1.26
200GB	2" Buna Gasket	50	\$1.34
300GB	3" Buna Gasket	25	\$1.81
400GB	4" Buna Gasket	25	\$4.18

FDA Cam Lever Couplings



WARNING: Couplings should not be disconnected under pressure or with liquid in the line.



FEATURES

- Stainless steel rings, arms & pins.
- Most complete line of polypropylene FDA couplings available.
- Versatile — interchangeable with all types of cam lever couplers.
- Precision molded — insures a uniform and accurate fit.
- Smooth operating — finger rings are designed for easy opening of cam levers.
- Complete series of 3/4", 1", 1 1/4", 1 1/2", 2", 3" NPT thread.
- Operating conditions:
 - 3/8" thru 2" — 100 P.S.I. at 0°F; 125 P.S.I. at 70°F; 70 P.S.I. at 150°F.
 - 3" Cap-50 P.S.I. Couplings-75 P.S.I. max.
- Economical and superior in performance.
- Standard with FDA EPDM gaskets.

**DURABLE FDA
POLYPROPYLENE
IS GLASS
REINFORCED
FOR RUGGED
STRENGTH AND
DURABILITY.**



FDA CAM LEVER COUPLINGS						
ITEM	DESCRIPTION	3/4"	1"	1 1/2"	2"	3"
A	Male Adapter-Female Thread (FDA)	75A3/4FD	100AFD	150AFD	200AFD	300AFD
B	Female Coupler- Male Thread (FDA)	75BFD	100BFD	150BFD	200BFD	300BFD
C	Female Coupler-Hose Shank (FDA)	075CFD	100CFD	150CFD	200CFD	300CFD
D	Female Coupler-Female Thread (FDA)	075DFD	100DFD	150DFD	200DFD	300DFD
E	Male Adapter-Hose Shank (FDA)	075EFD	100EFD	150EFD	200EFD	300EFD
F	Male Adapter-Male Thread (FDA)	075FFD	100FFD	150FFD	200FFD	300FFD
PL	Plug for Female Coupler (FDA)	75PLFD	100125PLFD	150PLFD	200PLFD	300PLFD
CAP	Cap for Male Adapter (FDA)	075CAPFD	100125CAPFD	150CAPFD	200CAPFD	300CAPFD

3/4" FDA CAM LEVER COUPLINGS					
PART NO	DESCRIPTION	MAX PSI	GASKET	QTY	PRICE
75A3/4FD	3/4" Male Adapter-3/4" Female Thread	125	N/A	10/bag	\$6.67
75BFD	3/4" Female Coupler-3/4" Male Thread	125	FDA EPDM	10/bag	\$15.21
075CFD	3/4" Female Coupler-3/4" Hose Shank	125	FDA EPDM	10/bag	\$15.21
075DFD	3/4" Female Coupler-3/4" Female Thread	125	FDA EPDM	10/bag	\$15.21
075EFD	3/4" Male Adapter-3/4" Hose Shank	125	N/A	10/bag	\$7.08
075FFD	3/4" Male Adapter-3/4" Male Thread	125	N/A	10/bag	\$7.08
075CAPFD	3/4" Cap-Male Adapter	125	FDA EPDM	10/bag	\$15.21
75PLFD	3/4" Plug-Female Coupler	125	N/A	10/bag	\$6.67

1" FDA CAM LEVER COUPLINGS					
PART NO	DESCRIPTION	MAX PSI	GASKET	QTY	PRICE
100AFD	1" Male Adapter-1" Female Thread	125	N/A	10/bag	\$7.97
100BFD	1" Female Coupler-1" Male Thread	125	FDA EPDM	10/bag	\$17.13
100CFD	1" Female Coupler-1" Hose Shank	125	FDA EPDM	10/bag	\$17.13
100DFD	1" Female Coupler-1" Female Thread	125	FDA EPDM	10/bag	\$17.13
100EFD	1" Male Adapter-1" Hose Shank	125	N/A	10/bag	\$7.97
100FFD	1" Male Adapter-1" Male Thread	125	N/A	10/bag	\$7.97
100125CAPFD	1" Cap-Male Adapter	125	FDA EPDM	10/bag	\$17.13
100125PLFD	1" Plug-Female Coupler	125	N/A	10/bag	\$7.97

1 1/4" FDA CAM LEVER COUPLINGS					
PART NO	DESCRIPTION	MAX PSI	GASKET	QTY	PRICE
125CFD	1" Female Coupler-1 1/4" Hose Shank	125	FDA EPDM	1	\$18.02
125DFD	1" Female Coupler-1 1/4" Female Thread	125	FDA EPDM	1	\$28.56
100125CAPFD	1" Cap-Male Adapter	125	FDA EPDM	10/bag	\$17.13
100125PLFD	1" Plug-Female Coupler	125	N/A	10/bag	\$7.97

1 1/2" FDA CAM LEVER COUPLINGS					
PART NO	DESCRIPTION	MAX PSI	GASKET	QTY	PRICE
150AFD	1 1/2" Male Adapter-1 1/2" Female Thread	125	N/A	10/bag	\$9.34
150BFD	1 1/2" Female Coupler-1 1/2" Male Thread	125	FDA EPDM	1	\$20.78
150CFD	1 1/2" Female Coupler-1 1/2" Hose Shank	125	FDA EPDM	1	\$20.78
150DFD	1 1/2" Female Coupler-1 1/2" Female Thread	125	FDA EPDM	1	\$20.78
150EFD	1 1/2" Male Adapter-1 1/2" Hose Shank	125	N/A	10/bag	\$9.55
150FFD	1 1/2" Male Adapter-1 1/2" Male Thread	125	N/A	10/bag	\$9.55
150CAPFD	1 1/2" Cap-Male Adapter	125	FDA EPDM	1	\$20.78
150PLFD	1 1/2" Plug-Female Coupler	125	N/A	10/bag	\$9.55

2" FDA CAM LEVER COUPLINGS					
PART NO	DESCRIPTION	MAX PSI	GASKET	QTY	PRICE
200AFD	2" Male Adapter-2" Female Thread	125	N/A	10/bag	\$11.23
200BFD	2" Female Coupler-2" Male Thread	125	FDA EPDM	1	\$24.49
200CFD	2" Female Coupler-2" Hose Shank	125	FDA EPDM	1	\$24.49
200DFD	2" Female Coupler-2" Female Thread	125	FDA EPDM	1	\$24.49
200EFD	2" Male Adapter-2" Hose Shank	125	N/A	10/bag	\$12.25
200FFD	2" Male Adapter-2" Male Thread	125	N/A	10/bag	\$12.25
200CAPFD	2" Cap-Male Adapter	125	FDA EPDM	1	\$24.49
200CAPSHFD	2" Cap-Male Adapter w/Short Arms	125	FDA EPDM	1	\$27.32
200PLFD	2" Plug-Female Coupler	125	N/A	10/bag	\$11.23

3" FDA CAM LEVER COUPLINGS					
PART NO	DESCRIPTION	MAX PSI	GASKET	QTY	PRICE
300AFD	3" Male Adapter-3" Female Thread	75	N/A	1	\$21.08
300BFD	3" Female Coupler-3" Male Thread	75	FDA EPDM	1	\$41.11
300CFD	3" Female Coupler-3" Hose Shank	75	FDA EPDM	1	\$41.11
300DFD	3" Female Coupler-3" Female Thread	75	FDA EPDM	1	\$41.11
300EFD	3" Male Adapter-3" Hose Shank	75	N/A	1	\$26.08
300FFD	3" Male Adapter-3" Male Thread	75	N/A	1	\$26.08
300CAPFD	3" Cap-Male Adapter	75	FDA EPDM	1	\$41.11
300PLFD	3" Plug-Female Coupler	75	N/A	1	\$21.08

REPLACEMENT PARTS FDA CAM ARM W/RING				
PART NO	DESCRIPTION	QTY	PRICE	
75K	1/2" & 3/4" SS Cam Arm w/Ring	1	\$3.75	
100K	1" & 1 1/4" SS Cam Arm w/Ring	1	\$3.54	
150(200)K	1 1/2" & 2" SS Cam Arm w/Ring	1	\$4.62	
300K	3" SS Cam Arm w/Ring	1	\$6.54	

REPLACEMENT PARTS SS COUPLING PINS & RINGS				
PART NO	DESCRIPTION	QTY	PRICE	
75P	1/2" & 3/4" Pin	1	\$0.85	
100P	1" & 1 1/4" Pin	1	\$0.85	
200P	1 1/2" & 2" Pin	1	\$1.04	
300P	3" & 4" Pin	1	\$2.05	
100RING	3/4" & 1" Ring	1	\$0.70	
150RING	1 1/2", 2" & 3" Ring	1	\$0.82	

REPLACEMENT PARTS FDA COUPLING GASKETS			
PART NO	DESCRIPTION	QTY	PRICE
75GFD	3/4" FDA EPDM Gasket	100	\$1.42
100GW	1" FDA EPDM Gasket	100	\$1.77
150GFD	1 1/2" FDA EPDM Gasket	100	\$2.20
200GFD	2" FDA EPDM Gasket	50	\$2.20
300GFD	3" FDA EPDM Gasket	25	\$32.18

REPLACEMENT PARTS FDA COUPLING			
PART NO	DESCRIPTION	QTY	PRICE
V20207	11" Lanyard	1	\$2.19



WARNING: Couplings should not be disconnected under pressure or with liquid in the line.

Polypropylene Cam Lever Couplings

FEATURES

- Stainless steel rings, arms & pins.
- Most complete line of polypropylene couplings available.
- Versatile — interchangeable with all types of cam lever couplers.
- Precision molded — insures a uniform and accurate fit.
- Durable — Polypropylene is glass reinforced for rugged strength and durability.
- Smooth operating — finger rings are designed for easy opening of cam levers.
- Complete series of 1/2", 3/4", 1", 1 1/4", 1 1/2", 2", 3" and 4" NPT thread.
- BSP threads available 1" - 3" sizes (excluding 1 1/4").
- Operating conditions:
 - 3/8" thru 2" — 100 PS.I. at 0°F; 125 PS.I. at 70°F; 70 PS.I. at 150°F.
 - 2 1/2", 3" & 4" Cap-50 PS.I.; Couplings 75 PS.I. max.
- Economical and superior in performance.
- Standard with EPDM gaskets. Buna "N", and FKM (viton type) also available.



WARNING: Couplings should not be disconnected under pressure or with liquid in the line.



**303B & 303C
& All 4" Couplings
have 3 Arms for
POSITIVE SEAL!**

CAM LEVER COUPLINGS														
ITEM	DESCRIPTION	1/4" *	3/8" *	1/2" *	3/4"	1"	1 1/4" **	1 1/2" x 1 1/4" ***	1 1/2"	2"	2 1/2"	3"	3" 3 ARMS	4" 3 ARMS
A	Male Adapter-Female Thread	75A1/4	75A3/8	75A1/2	75A3/4	100A	125A	150125A	150A	200A		300A		400A
B	Female Coupler- Male Thread			75B1/2	75B3/4	100B	125B	150125B	150B	200B		300B	303B	400B
C	Female Coupler-Hose Shank			050C	075C	100C	125C	150125C	150C	200C		300C	303C	400C
D	Female Coupler-Female Thread		075D3/8	050D	075D	100D	125D	150125D	150D	200D		300D		400D
E	Male Adapter-Hose Shank			050E	075E	100E	125E	150125E	150E	200E		300E		400E
F	Male Adapter-Male Thread			050F	075F	100F	125F	150125F	150F	200F		300F		400F
PL	Plug for Female Coupler			75PL	75PL	100125PL	100125PL	150PL	150PL	200PL	250PL	300PL		400PL
CAP	Cap for Male Adapter			075CAP	075CAP	100125CAP	100125CAP	150CAP	150CAP	200CAP	250CAP	300CAP		400CAP (2 arms)
CAPSH	Cap w/Short Arms							200CAPSH						

NOTE: *1/4", 3/8" and 1/2" series couplings interchange with 3/4" size couplings. Coupling ends are 3/4" size.
 **1 1/4" series couplings interchange with 1" size couplings. Coupling ends are 1" size.
 ***1 1/2" x 1 1/4" couplings interchange with 1 1/2" size couplings. Coupling ends are 1 1/2" size.



1/2" POLY CAM LEVER COUPLINGS					
PART NO	DESCRIPTION	MAX PSI	GASKET	QTY	PRICE
75A1/2	3/4" Male Adapter-1/2" Female Thread	125	N/A	10/bag	\$5.43
75B1/2	3/4" Female Coupler-1/2" Male Thread	125	EPDM	10/bag	\$12.42
050C	3/4" Female Coupler-1/2" Hose Shank	125	EPDM	10/bag	\$12.42
050D	3/4" Female Coupler-1/2" Female Thread	125	EPDM	10/bag	\$12.42
050E	3/4" Male Adapter-1/2" Hose Shank	125	N/A	10/bag	\$5.87
050F	3/4" Male Adapter-1/2" Male Thread	125	N/A	10/bag	\$5.87
075CAP	3/4" Cap-Male Adapter	125	EPDM	10/bag	\$12.42
75PL	3/4" Plug-Female Coupler	125	N/A	10/bag	\$5.87

3/4" POLY CAM LEVER COUPLINGS					
PART NO	DESCRIPTION	MAX PSI	GASKET	QTY	PRICE
75A3/4	3/4" Male Adapter-3/4" Female Thread	125	N/A	10/bag	\$5.43
75B3/4	3/4" Female Coupler-3/4" Male Thread	125	EPDM	10/bag	\$12.42
075C	3/4" Female Coupler-3/4" Hose Shank	125	EPDM	10/bag	\$12.42
075D	3/4" Female Coupler-3/4" Female Thread	125	EPDM	10/bag	\$12.42
075E	3/4" Male Adapter-3/4" Hose Shank	125	N/A	10/bag	\$5.87
075F	3/4" Male Adapter-3/4" Male Thread	125	N/A	10/bag	\$5.87
075CAP	3/4" Cap-Male Adapter	125	EPDM	10/bag	\$12.42
75PL	3/4" Plug-Female Coupler	125	N/A	10/bag	\$5.87

3/4" x 1/4" POLY CAM LEVER COUPLINGS					
PART NO	DESCRIPTION	MAX PSI	GASKET	QTY	PRICE
75A1/4	3/4" Male Adapter-1/4" Female Thread	125	N/A	10/bag	\$5.43

3/4" x 3/8" POLY CAM LEVER COUPLINGS					
PART NO	DESCRIPTION	MAX PSI	GASKET	QTY	PRICE
75A3/8	3/4" Male Adapter-3/8" Female Thread	125	N/A	10/bag	\$5.43
075D3/8	3/4" Female Coupler-3/8" Female Thread	125	N/A	10/bag	\$12.42

**NOTE: 1/2" couplings interchange with 3/4" couplings.
Banjo 1 1/4" Couplers & Adapters will interchange with 1" Couplings.
Only the Threads and Barbs are 1/4".**

1" POLY CAM LEVER COUPLINGS					
PART NO	DESCRIPTION	MAX PSI	GASKET	QTY	PRICE
100A	1" Male Adapter-1" Female Thread	125	N/A	10/bag	\$5.43
100B	1" Female Coupler-1" Male Thread	125	EPDM	10/bag	\$14.27
100C	1" Female Coupler-1" Hose Shank	125	EPDM	10/bag	\$14.27
100D	1" Female Coupler-1" Female Thread	125	EPDM	10/bag	\$14.27
100E	1" Male Adapter-1" Hose Shank	125	N/A	10/bag	\$6.52
100F	1" Male Adapter-1" Male Thread	125	N/A	10/bag	\$6.52
100125CAP	1" Cap-Male Adapter	125	EPDM	10/bag	\$13.70
100125PL	1" Plug-Female Coupler	125	N/A	10/bag	\$5.65

1" x 1 1/4" POLY CAM LEVER COUPLINGS					
PART NO	DESCRIPTION	MAX PSI	GASKET	QTY	PRICE
125A	1" Male Adapter-1 1/4" Female Thread	125	N/A	10/bag	\$5.43
125B	1" Female Coupler-1 1/4" Male Thread	125	EPDM	10/bag	\$14.27
125C	1" Female Coupler-1 1/4" Hose Shank	125	EPDM	10/bag	\$14.27
125D	1" Female Coupler-1 1/4" Female Thread	125	EPDM	10/bag	\$14.27
125E	1" Male Adapter-1 1/4" Hose Shank	125	N/A	10/bag	\$6.52
125F	1" Male Adapter-1 1/4" Male Thread	125	N/A	10/bag	\$6.52
100125CAP	1" Cap-Male Adapter	125	EPDM	10/bag	\$13.70
100125PL	1" Plug-Female Coupler	125	N/A	10/bag	\$5.65

1 1/2" x 1 1/4" POLY CAM LEVER COUPLINGS					
PART NO	DESCRIPTION	MAX PSI	GASKET	QTY	PRICE
150125A	1 1/2" Male Adapter-1 1/4" Female Thread	125	N/A	10/bag	\$6.17
150125B	1 1/2" Female Coupler-1 1/4" Male Thread	125	EPDM	1	\$16.73
150125C	1 1/2" Female Coupler-1 1/4" Hose Shank	125	EPDM	1	\$16.73
150125D	1 1/2" Female Coupler-1 1/4" Female Thread	125	EPDM	1	\$16.73
150125E	1 1/2" Male Adapter-1 1/4" Hose Shank	125	N/A	10/bag	\$6.54
150125F	1 1/2" Male Adapter-1 1/4" Male Thread	125	N/A	10/bag	\$6.54
150CAP	1 1/2" Cap-Male Adapter	125	EPDM	1	\$16.73
150PL	1 1/2" Plug-Female Coupler	125	N/A	10/bag	\$6.31

1 1/2" POLY CAM LEVER COUPLINGS					
PART NO	DESCRIPTION	MAX PSI	GASKET	QTY	PRICE
150A	1 1/2" Male Adapter-1 1/2" Female Thread	125	N/A	10/bag	\$6.17
150B	1 1/2" Female Coupler-1 1/2" Male Thread	125	EPDM	1	\$16.73
150C	1 1/2" Female Coupler-1 1/2" Hose Shank	125	EPDM	1	\$16.73
150D	1 1/2" Female Coupler-1 1/2" Female Thread	125	EPDM	1	\$16.73
150E	1 1/2" Male Adapter-1 1/2" Hose Shank	125	N/A	10/bag	\$6.54
150F	1 1/2" Male Adapter-1 1/2" Male Thread	125	N/A	10/bag	\$6.54
150CAP	1 1/2" Cap-Male Adapter	125	EPDM	1	\$16.73
150PL	1 1/2" Plug-Female Coupler	125	N/A	10/bag	\$6.31

**NOTE: 1 1/2" x 1 1/4" couplings interchange with 1 1/2" size couplings.
Coupling and Adapter ends are 1 1/2" size. Only the threads and barbs are 1/4".**

2" POLY CAM LEVER COUPLINGS					
PART NO	DESCRIPTION	MAX PSI	GASKET	QTY	PRICE
200A	2" Male Adapter-2" Female Thread	125	N/A	10/bag	\$7.27
200B	2" Female Coupler-2" Male Thread	125	EPDM	1	\$20.37
201B	2" Female Coupler-2" Extended Male Thread	125	EPDM	1	\$20.37
200C	2" Female Coupler-2" Hose Shank	125	EPDM	1	\$20.37
200D	2" Female Coupler-2" Female Thread	125	EPDM	1	\$20.37
200E	2" Male Adapter-2" Hose Shank	125	N/A	10/bag	\$8.59
200F	2" Male Adapter-2" Male Thread	125	N/A	10/bag	\$8.59
200CAP	2" Cap-Male Adapter	125	EPDM	1	\$20.37
200CAPSH	2" Cap-Male Adapter w/Short Arms	125	EPDM	1	\$20.37
200PL	2" Plug-Female Coupler	125	N/A	10/bag	\$8.52

2 1/2" POLY CAM LEVER COUPLINGS					
PART NO	DESCRIPTION	MAX PSI	GASKET	QTY	PRICE
250CAP	2 1/2" Cap-Male Adapter	50	EPDM	1	\$52.86
250PL	2 1/2" Plug-Female Coupler	75	N/A	1	\$24.02



3" POLY CAM LEVER COUPLINGS					
PART NO	DESCRIPTION	MAX PSI	GASKET	QTY	PRICE
300A	3" Male Adapter-3" Female Thread	75	N/A	1	\$17.57
300B	3" Female Coupler-3" Male Thread	75	EPDM	1	\$34.24
303B	3" Female Coupler-3" Extended Male Thread	75	EPDM	1	\$43.92
300C	3" Female Coupler-3" Hose Shank	75	EPDM	1	\$34.24
303C	3" Female Coupler w/3 Arms-3" Hose Shank	75	EPDM	1	\$43.92
300D	3" Female Coupler-3" Female Thread	75	EPDM	1	\$34.24
300E	3" Male Adapter-3" Hose Shank	75	N/A	1	\$22.51
300F	3" Male Adapter-3" Male Thread	75	N/A	1	\$22.51
300CAP	3" Cap-Male Adapter	50	EPDM	1	\$34.24
300PL	3" Plug-Female Coupler	75	N/A	1	\$17.85

REPLACEMENT PARTS POLY CAM ARM W/RING			
PART NO	DESCRIPTION	QTY	PRICE
75K	1/2" & 3/4" SS Cam Arm w/Ring	1	\$3.75
100K	1" & 1 1/4" SS Cam Arm w/Ring	1	\$3.54
150(200)K	1 1/2" & 2" SS Cam Arm w/Ring	1	\$4.62
300K	3" SS Cam Arm w/Ring	1	\$6.54

REPLACEMENT PARTS POLY COUPLING PINS & RINGS			
PART NO	DESCRIPTION	QTY	PRICE
75P	1/2" & 3/4" Pin	1	\$0.85
100P	1" & 1 1/4" Pin	1	\$0.85
200P	1 1/2" & 2" Pin	1	\$1.04
300P	3" & 4" Pin	1	\$2.05
100RING	1/2", 3/4", 1" & 1 1/4" Ring	1	\$0.70
150RING	1 1/2", 2" & 3" Ring	1	\$0.82

REPLACEMENT PARTS POLY COUPLING			
PART NO	DESCRIPTION	QTY	PRICE
V20207	11" Lanyard	1	\$2.19

Note: PTFE Gaskets available upon request.

4" w/3 ARMS POLY CAM LEVER COUPLINGS					
PART NO	DESCRIPTION	MAX PSI	GASKET	QTY	PRICE
400A	4" Male Adapter-4" Female Thread	75	N/A	1	\$26.81
400B	4" Female Coupler-4" Male Thread	75	EPDM	1	\$67.85
400C	4" Female Coupler-4" Hose Shank	75	EPDM	1	\$67.85
400D	4" Female Coupler-4" Female Thread	75	EPDM	1	\$67.85
400E	4" Male Adapter-4" Hose Shank	75	N/A	1	\$26.81
400F	4" Male Adapter-4" Male Thread	75	N/A	1	\$26.81
400CAP	4" Cap-Male Adapter (w/2 arms)	50	EPDM	1	\$49.49
400PL	4" Plug-Female Coupler	75	N/A	1	\$21.07



SPOOL ADAPTERS					
PART NO	DESCRIPTION	MAX PSI	GASKET	QTY	PRICE
200FF	2" Male Adapter-2" Male Adapter	125	N/A	10/bag	\$22.40
300F200F	3" Male Adapter-2" Male Adapter	125	N/A	1	\$44.84
300FF	3" Male Adapter-3" Male Adapter	125	N/A	1	\$44.84

REPLACEMENT PARTS POLY COUPLING GASKETS			
PART NO	DESCRIPTION	QTY	PRICE
75G	1/2" & 3/4" EPDM Gasket	100/bag	\$0.98
75GB	1/2" & 3/4" Buna Gasket	100/bag	\$1.13
75GV	1/2" & 3/4" FKM (viton type) Gasket	100/bag	\$11.27
075GXT	1/2" & 3/4" Extra Thick EPDM Gasket	100/bag	\$1.48
100G	1" & 1 1/4" EPDM Gasket	100/bag	\$0.98
100GB	1" & 1 1/4" Buna Gasket	100/bag	\$1.13
100GV	1" & 1 1/4" FKM (viton type) Gasket	100/bag	\$11.06
100GXT	1" & 1 1/4" Extra Thick EPDM Gasket	100/bag	\$1.61
150G	1 1/2" EPDM Gasket	100/bag	\$1.04
150GB	1 1/2" Buna Gasket	100/bag	\$1.26
150GV	1 1/2" FKM (viton type) Gasket	100/bag	\$11.51
150GXT	1 1/2" Extra Thick EPDM Gasket	100/bag	\$1.87
150GXTV	1 1/2" Extra Thick FKM (viton type) Gasket	1/bag	\$13.71
200G	2" EPDM Gasket	50/bag	\$1.10
200GB	2" Buna Gasket	50/bag	\$1.34
200GV	2" FKM (viton type) Gasket	50/bag	\$17.83
200GXT	2" Extra Thick EPDM Gasket	50/bag	\$2.33
200GXTV	2" Extra Thick FKM (viton type) Gasket	1/bag	\$19.58
250G	2 1/2" EPDM Gasket	50/bag	\$1.51
300G	3" EPDM Gasket	25/bag	\$1.51
300GB	3" Buna Gasket	25/bag	\$1.81
300GV	3" FKM (viton type) Gasket	25/bag	\$24.48
300GXT	3" Extra Thick EPDM Gasket	25/bag	\$3.10
300GVXT	3" Extra Thick FKM (viton type) Gasket	1/bag	\$29.18
400G	4" EPDM Gasket	25/bag	\$3.54
400GB	4" Buna Gasket	25/bag	\$4.18
400GV	4" FKM (viton type) Gasket	25/bag	\$32.06
400GXT	4" Extra Thick EPDM Gasket	25/bag	\$4.24

Locking Cam Lever Poly Couplings

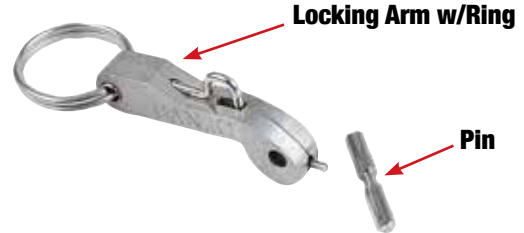
PATENT PENDING

Easy Action Locking Lever!



FEATURES

- All stainless steel construction.
- Easy action lever.
- Excellent for high vibration applications.



1 1/2" POLY LOCKING CAM LEVER COUPLINGS					
PART NO	DESCRIPTION	MAX PSI	GASKET	QTY	PRICE
L150B	1 1/2" Female Coupler-Male Thread	125	EPDM	1	\$35.96
L150C	1 1/2" Female Coupler-Hose Shank	125	EPDM	1	\$35.96
L150D	1 1/2" Female Coupler-Female Thread	125	EPDM	1	\$35.96
L150CAP	1 1/2" Cap-Male Adapter	125	EPDM	1	\$35.96

1 1/2" & 2" POLY LOCKING CAM ARM W/RING & PIN					
PART NO	DESCRIPTION	MAX PSI	GASKET	QTY	PRICE
200KL	2" Locking Cam Arm w/Ring	N/A	N/A	1	\$13.71
200PKL	2" Coupling Pin	N/A	N/A	1	\$2.74

Note: Fits 1 1/2" & 2" Poly Couplings Only

2" POLY LOCKING CAM LEVER COUPLINGS					
PART NO	DESCRIPTION	MAX PSI	GASKET	QTY	PRICE
L200B	2" Female Coupler-Male Thread	125	EPDM	1	\$39.61
L200C	2" Female Coupler-Hose Shank	125	EPDM	1	\$39.61
L200D	2" Female Coupler-Female Thread	125	EPDM	1	\$39.61
L200CAP	2" Cap-Male Adapter	125	EPDM	1	\$39.61

WARNING: Locking Cam Arm Lever is not intended to be used as a security device or to prevent unauthorized opening of coupling assembly.



201B

2" x 1 1/2" PART C					
PART NO	DESCRIPTION	MAX PSI	GASKET	QTY	PRICE
200150C	2" Female Coupler- 1 1/2" Hose Shank	125	EPDM	1	\$19.26



303B



303C

3" w/3 ARMS POLY CAM LEVER COUPLINGS					
PART NO	DESCRIPTION	MAX PSI	GASKET	QTY	PRICE
303B200A	3" Female Coupler w/3 Arms-2" Male Adapter	75	EPDM	1	\$61.15

POLY CAM LEVER COUPLINGS					
PART NO	DESCRIPTION	MAX PSI	GASKET	QTY	PRICE
201B	2" Female Coupler-2" Extended Male Thread	125	EPDM	1	\$20.37
303B	3" Female Coupler-3" Extended Male Thread	75	EPDM	1	\$43.92
303C	3" Female Coupler w/3 Arms-3" Hose Shank	75	EPDM	1	\$43.92

1½" & 2" Polypropylene 90° Couplings

FEATURES

- Precision molded in polypropylene, reinforced with fiberglass for strength and durability.
- Stainless steel rings, cam levers and pins resist corrosion.
- Banjo 90° angle couplings and adapters will reduce the number of elbows and other pipe fittings used in plumbing applications.

1½" 90° POLY CAM LEVER COUPLINGS

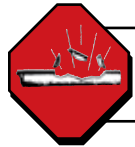
PART NO	DESCRIPTION	MAX PSI	GASKET	QTY	PRICE
150A90	1½" 90° Male Adapter-1½" Female Thread	125	EPDM	1	\$9.73
150C90	1½" 90° Female Coupler-1½" Hose Shank	125	EPDM	1	\$20.04
150D90	1½" 90° Female Coupler-1½" Female Thread	125	EPDM	1	\$20.04
150F90	1½" 90° Male Adapter-1½" Male Thread	125	EPDM	1	\$11.66

2" 90° POLY CAM LEVER COUPLINGS

PART NO	DESCRIPTION	MAX PSI	GASKET	QTY	PRICE
200A90	2" 90° Male Adapter-2" Female Thread	125	EPDM	1	\$11.10
200B90	2" 90° Female Coupler-2" Male Thread	125	EPDM	1	\$24.86
200C90	2" 90° Female Coupler-2" Hose Shank	125	EPDM	1	\$24.86
200D90	2" 90° Female Coupler-2" Female Thread	125	EPDM	1	\$24.86
200F90	2" 90° Male Adapter-2" Male Thread	125	EPDM	1	\$12.51
220FSWP90	2" Male Adapter w/90° Sweep - 2" Male Thread	125	EPDM	1	\$45.76



2" Polypropylene 45° Couplings



WARNING: Couplings should not be disconnected under pressure or with liquid in the line.

2" 45° POLY CAM LEVER COUPLINGS

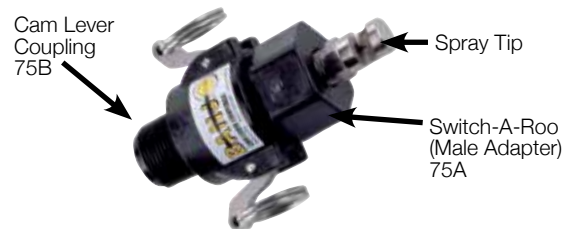
PART NO	DESCRIPTION	MAX PSI	GASKET	QTY	PRICE
200F45	2" 45° Male Adapter-2" Male Thread	125	N/A	10/bag	\$19.59



Polypropylene Switch-a-Roos

FEATURES

- The Switch-A-Roo is a fast, convenient method of changing spray nozzles on fertilizer application equipment.
- Precision molded in polypropylene (fiberglass reinforced) for high strength and toughness.
- The female coupling is available in either ½" or ¾" pipe thread and normally mounted on the spray boom.
- The male adapter is available in four different thread sizes ¼", ⅜", ½", and ¾" to fit all size spray nozzles.
- Switch-A-Roo's available with self-aligning grooves.



POLY SWITCH-A-ROOS

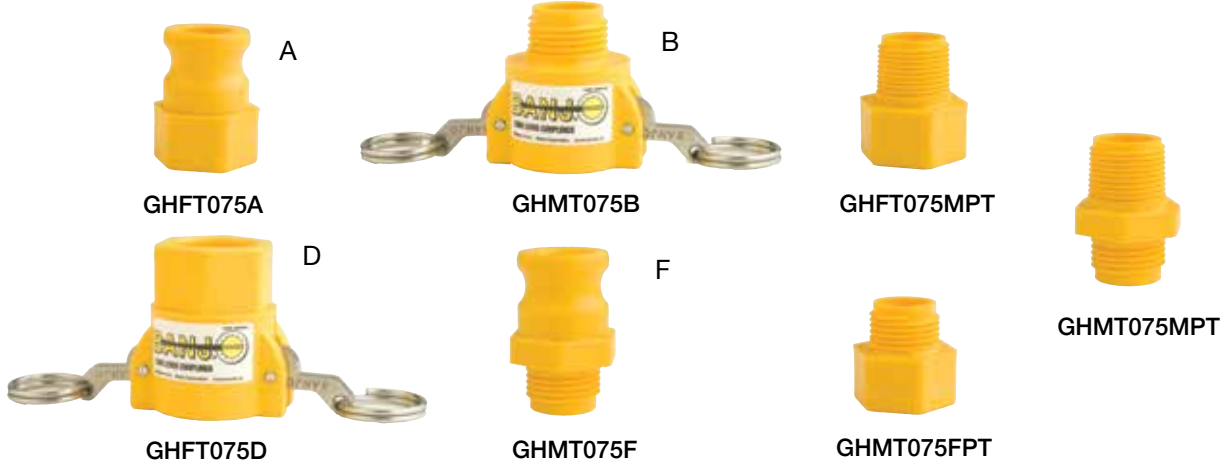
PART NO	DESCRIPTION	QTY	PRICE
75A1/4/SA	¾" Male Adapter-¼" w/Self-aligning Groove	10/bag	\$5.43
75A3/8/SA	¾" Male Adapter-⅜" w/Self-aligning Groove	10/bag	\$5.43
75A1/2/SA	¾" Male Adapter-½" w/Self-aligning Groove	10/bag	\$5.43
75A3/4/SA	¾" Male Adapter-¾" w/Self-aligning Groove	10/bag	\$5.43
75B1/2	¾" Female Coupler-½" Male Thread	10/bag	\$12.42
75B3/4	¾" Female Coupler-¾" Male Thread	10/bag	\$12.42



Garden Hose Fittings

FEATURES

- Quick and simple way to connect and disconnect your garden hose.
- Easily connects hose to spigot, sprinkler, nozzle or other hose end accessories.
- Durable, rustproof polypropylene construction.
- Never have to use pliers to tighten to prevent leaks.
- Yellow fiberglass reinforced polypropylene.
- Standard 3/4" opening diameter.



GARDEN HOSE FITTINGS			
PART NO	DESCRIPTION	QTY	PRICE
GHFT075A	3/4" Adapter x 3/4" Garden Hose Female Thread	1	\$5.87
GHMT075B	3/4" Coupler x 3/4" Garden Hose Male Thread	1	\$12.42
GHFT075D	3/4" Coupler x 3/4" Garden Hose Female Thread	1	\$12.42
GHMT075F	3/4" Adapter x 3/4" Garden Hose Male Thread	1	\$5.87
GHFT075MPT	3/4" Male NPT x 3/4" Garden Hose Female Thread	1	\$2.74
GHMT075FPT	3/4" Female NPT x 3/4" Garden Hose Male Thread	1	\$2.74
GHMT075MPT	3/4" Male NPT x 3/4" Garden Hose Male Thread	1	\$5.87

Garden Hose Spray Nozzle

FEATURES

- Heavy-duty machined aluminum construction stands up to hard use.
- Comfort-grip soft rubber provides a comfortable gripping texture.
- Resists dents, mars and scratches and also protects any surface that comes in contact with nozzle.
- Aluminum hose connection provides a tight fit, will not rust.
- Multiple spray pattern adjusts from a powerful jet stream to a gentle fan spray. Ideal for all your spraying needs.
- Stainless steel spray cap for precise spray patterns.



Spray nozzle patterns



GARDEN HOSE SPRAY NOZZLE			
PART NO	DESCRIPTION	QTY	PRICE
GHN075	3/4" Garden Hose Spray Nozzle	1	\$40.97

Two Barrel Hardware Clamps

FEATURES

- Perfect for tight, hard to reach spaces!
- Minimizes parts that protrude by tightening together versus tightening away from.
- Deep socket tools not required.
- 300 Stainless steel construction.



TWO BARREL HARDWARE CLAMPS					
PART NO	DESCRIPTION	MIN/MAX DIAMETER	MAX TORQUE	QTY	PRICE
BC090	3/4" 300 SS Floating Bridgew/Lockwasher	0.91"/0.98"	75 in-lbs	10/bag	\$12.44
BC114	1" 300 SS Floating Bridge w/Lockwasher	1.14"/1.22"	75 in-lbs	10/bag	\$12.58

BANJO MAN			
PART NO	DESCRIPTION	QTY	PRICE
BANJOMAN	18" x 29"- Assembly Required	1	\$208.07

Banjo Super Clamps

FEATURES

- Stainless steel construction.
- 304 Stainless steel bolt with 316 SS nut to prevent seizing.
- 360° sealing surface.
- Ideal for high torque applications.
- Strong, positive connections where ordinary hose clamps fail.
- T-bolt design.
- 3 spot welds for extra strength.



Torque Specifications: Working Torque: 50-80 inch pounds.
Maximum Torque: 125 inch pounds

BANJO SUPER CLAMPS					
PART NO	DESCRIPTION	MIN/MAX DIAMETER	MAX TORQUE	QTY	PRICE
TC120	1" T-Bolt Hose Clamp	1.20"/1.34"	75 in-lbs	10/bag	\$9.50
TC130	1 1/4" T-Bolt Hose Clamp	1.30"/1.70"	75 in-lbs	10/bag	\$9.50
TC150	1 1/2" T-Bolt Hose Clamp	1.50"/1.75"	125 in-lbs	10/bag	\$9.59
TC162	1 1/4" T-Bolt Hose Clamp	1.62"/1.87"	125 in-lbs	10/bag	\$9.59
TC181	1 1/2" T-Bolt Hose Clamp	1.81"/2.06"	125 in-lbs	10/bag	\$9.59
TC193	1 1/2" T-Bolt Hose Clamp	1.93"/2.18"	125 in-lbs	10/bag	\$9.85
TC206	2" T-Bolt Hose Clamp	2.06"/2.40"	125 in-lbs	10/bag	\$10.05
TC218	2" T-Bolt Hose Clamp	2.18"/2.50"	125 in-lbs	10/bag	\$9.85
TC224	2" T-Bolt Hose Clamp	2.24"/2.55"	125 in-lbs	10/bag	\$10.05
TC231	2" T-Bolt Hose Clamp	2.31"/2.62"	125 in-lbs	10/bag	\$10.05
TC250	2" T-Bolt Hose Clamp	2.50"/2.81"	125 in-lbs	10/bag	\$10.05
TC287	2" T-Bolt Hose Clamp	2.87"/3.18"	125 in-lbs	10/bag	\$10.05
TC312	3" T-Bolt Hose Clamp	3.12"/3.49"	125 in-lbs	10/bag	\$10.27
TC331	3" T-Bolt Hose Clamp	3.31"/3.62"	125 in-lbs	10/bag	\$10.73
TC343	3" T-Bolt Hose Clamp	3.50"/3.82"	125 in-lbs	10/bag	\$10.73
TC425	4" T-Bolt Hose Clamp	4.25"/4.56"	125 in-lbs	10/bag	\$11.62
TC438	4" T-Bolt Hose Clamp	4.38"/4.76"	125 in-lbs	10/bag	\$19.37
TC456	4" T-Bolt Hose Clamp	4.56"/4.94"	125 in-lbs	10/bag	\$19.37



FEATURES

- Glass reinforced polypropylene.
- Heavy duty (Schedule 80).
- Lightweight with excellent strength.
- NPT threads.
- Excellent chemical resistance.
- Pressure to 150 P.S.I. at 70°F.



POLY NIPPLES			
PART NO	DESCRIPTION	QTY	PRICE
NIP025-SH	1/4" Short Poly Nipple	10/bag	\$1.23
NIP038-SH	3/8" Short Poly Nipple	10/bag	\$1.23
NIP050-SH	1/2" Short Poly Nipple	10/bag	\$1.38
NIP050-3	1/2" x 3" Poly Nipple	10/bag	\$2.62
NIP075-SH	3/4" Short Poly Nipple	10/bag	\$1.43
NIP075-4	3/4" x 4" Poly Nipple	10/bag	\$2.74
NIP075-6	3/4" x 6" Poly Nipple	10/bag	\$3.21
NIP100-SH	1" Short Poly Nipple	10/bag	\$2.04
NIP100-4	1" x 4" Poly Nipple	10/bag	\$2.90
NIP100-6	1" x 6" Poly Nipple	10/bag	\$3.61
NIP125-SH	1 1/4" Short Poly Nipple	10/bag	\$2.04
NIP125-4	1 1/4" x 4" Poly Nipple	10/bag	\$3.61
NIP125-6	1 1/4" x 6" Poly Nipple	10/bag	\$4.10
NIP150-SH	1 1/2" Short Poly Nipple	10/bag	\$3.75
NIP150-3	1 1/2" x 3" Poly Nipple	10/bag	\$4.63
NIP150-4	1 1/2" x 4" Poly Nipple	10/bag	\$7.71
NIP150-5	1 1/2" x 5" Poly Nipple	10/bag	\$8.63
NIP150-6	1 1/2" x 6" Poly Nipple	10/bag	\$9.07
NIP200-SH	2" Short Poly Nipple	10/bag	\$4.25
NIP200-4	2" x 4" Poly Nipple	10/bag	\$8.97
NIP200-6	2" x 6" Poly Nipple	10/bag	\$10.47
NIP300-SH	3" Short Poly Nipple	1	\$13.34
NIP300-4	3" x 4" Poly Nipple	1	\$20.04
NIP300-6	3" x 6" Poly Nipple	1	\$25.84
NIP400-SH	4" Short Poly Nipple	1	\$20.76

Please order in bag/box quantities for quick and easy shipping/receiving of your order. Use BANJO Part Numbers when ordering. All items priced each, not per bag or box quantity.



POLY REDUCING NIPPLES			
PART NO	DESCRIPTION	QTY	PRICE
RN050-038	1/2" x 3/8" Poly Reducing Nipple	10/bag	\$2.08
RN075-050	3/4" x 1/2" Poly Reducing Nipple	10/bag	\$2.23
RN100-050	1" x 1/2" Poly Reducing Nipple	10/bag	\$2.87
RN100-075	1" x 3/4" Poly Reducing Nipple	10/bag	\$2.62
RN125-075	1 1/4" x 3/4" Poly Reducing Nipple	10/bag	\$3.02
RN125-100	1 1/4" x 1" Poly Reducing Nipple	10/bag	\$2.74
RN150-100	1 1/2" x 1" Poly Reducing Nipple	10/bag	\$3.24
RN150-125	1 1/2" x 1 1/4" Poly Reducing Nipple	10/bag	\$2.90
RN200-125	2" x 1 1/4" Poly Reducing Nipple	10/bag	\$3.97
RN200-150	2" x 1 1/2" Poly Reducing Nipple	10/bag	\$3.22
RN300-200	3" x 2" Poly Reducing Nipple	1	\$13.28



POLY PIPE COUPLINGS			
PART NO	DESCRIPTION	QTY	PRICE
CPLG025	1/4" Poly Pipe Coupling	10/bag	\$3.72
CPLG038	3/8" Poly Pipe Coupling	10/bag	\$4.19
CPLG050	1/2" Poly Pipe Coupling	10/bag	\$4.19
CPLG075	3/4" Poly Pipe Coupling	10/bag	\$4.19
CPLG100	1" Poly Pipe Coupling	10/bag	\$4.76
CPLG125	1 1/4" Poly Pipe Coupling	10/bag	\$6.42
CPLG150	1 1/2" Poly Pipe Coupling	10/bag	\$10.68
CPLG200	2" Poly Pipe Coupling	10/bag	\$12.18
CPLG300	3" Poly Pipe Coupling	1	\$34.46



POLY REDUCING COUPLINGS			
PART NO	DESCRIPTION	QTY	PRICE
RC100-075	1" x 3/4" Poly Reducing Coupling	10/bag	\$6.20
RC150-100	1 1/2" x 1" Poly Reducing Coupling	10/bag	\$10.53
RC150-125	1 1/2" x 1 1/4" Poly Reducing Coupling	10/bag	\$10.53
RC200-050	2" x 1/2" Poly Reducing Coupling	10/bag	\$11.19
RC200-100	2" x 1" Poly Reducing Coupling	10/bag	\$11.19
RC200-125	2" x 1 1/4" Poly Reducing Coupling	10/bag	\$11.19
RC200-150	2" x 1 1/2" Poly Reducing Coupling	10/bag	\$11.19
RC300-200	3" x 2" Poly Reducing Coupling	1	\$39.72



POLY REDUCING BUSHING			
PART NO	DESCRIPTION	QTY	PRICE
RB038-025	3/8" MPT x 1/4" FPT Reducing Bushing	10/bag	\$2.74
RB050-018	1/2" MPT x 1/8" FPT Reducing Bushing	10/bag	\$2.74
RB050-025	1/2" MPT x 1/4" FPT Reducing Bushing	10/bag	\$2.74
RB050-038	1/2" MPT x 3/8" FPT Reducing Bushing	10/bag	\$2.74
RB075-018	3/4" MPT x 1/8" FPT Reducing Bushing	10/bag	\$2.74
RB075-025	3/4" MPT x 1/4" FPT Reducing Bushing	10/bag	\$2.74
RB075-038	3/4" MPT x 3/8" FPT Reducing Bushing	10/bag	\$2.74
RB075-050	3/4" MPT x 1/2" FPT Reducing Bushing	10/bag	\$2.74
RB100-018	1" MPT x 1/8" FPT Reducing Bushing	10/bag	\$2.90
RB100-025	1" MPT x 1/4" FPT Reducing Bushing	10/bag	\$2.90
RB100-050	1" MPT x 1/2" FPT Reducing Bushing	10/bag	\$2.90
RB100-075	1" MPT x 3/4" FPT Reducing Bushing	10/bag	\$2.90
RB125-038	1 1/4" MPT x 3/8" FPT Reducing Bushing	10/bag	\$2.90
RB125-075	1 1/4" MPT x 3/4" FPT Reducing Bushing	10/bag	\$2.90
RB125-100	1 1/4" MPT x 1" FPT Reducing Bushing	10/bag	\$2.90
RB150-075	1 1/2" MPT x 3/4" FPT Reducing Bushing	10/bag	\$3.84
RB150-100	1 1/2" MPT x 1" FPT Reducing Bushing	10/bag	\$3.84
RB150-125	1 1/2" MPT x 1 1/4" FPT Reducing Bushing	10/bag	\$3.84
RB200-075	2" MPT x 3/4" FPT Reducing Bushing	10/bag	\$4.19
RB200-100	2" MPT x 1" FPT Reducing Bushing	10/bag	\$4.19
RB200-125	2" MPT x 1 1/4" FPT Reducing Bushing	10/bag	\$4.19
RB200-150	2" MPT x 1 1/2" FPT Reducing Bushing	10/bag	\$4.19
RB300-150	3" MPT x 1 1/2" FPT Reducing Bushing	1	\$17.43
RB300-200	3" MPT x 2" FPT Reducing Bushing	1	\$17.43
RB400-300	4" MPT x 3" FPT Reducing Bushing	1	\$27.03

Polypropylene Pipe Fittings

- Glass reinforced polypropylene.
- Heavy duty (Schedule 80).
- Lightweight with excellent strength.
- NPT threads.
- Excellent chemical resistance.
- Pressure to 150 P.S.I. at 70°F.

Please order in bag/box quantities for quick and easy shipping /receiving of your order. Use BANJO Part Numbers when ordering. All items priced each, not per bag or box quantity.



POLY PIPE CAPS			
PART NO	DESCRIPTION	QTY	PRICE
CAP025	1/4" Poly Pipe Cap	10/bag	\$2.51
CAP038	3/8" Poly Pipe Cap	10/bag	\$2.68
CAP050	1/2" Poly Pipe Cap	10/bag	\$5.62
CAP075	3/4" Poly Pipe Cap	10/bag	\$5.62
CAP100	1" Poly Pipe Cap	10/bag	\$5.62
CAP125	1 1/4" Poly Pipe Cap	10/bag	\$6.31
CAP150	1 1/2" Poly Pipe Cap	10/bag	\$7.95
CAP200	2" Poly Pipe Cap	10/bag	\$9.23
CAP300	3" Poly Pipe Cap	1	\$33.02



POLY CROSSES			
PART NO	DESCRIPTION	QTY	PRICE
CR025	1/4" Poly Cross	10/bag	\$11.93
CR038	3/8" Poly Cross	10/bag	\$13.10
CR050	1/2" Poly Cross	5/bag	\$18.60
CR075	3/4" Poly Cross	5/bag	\$18.60
CR100	1" Poly Cross	5/bag	\$18.60
CR125	1 1/4" Poly Cross	1	\$27.73
CR150	1 1/2" Poly Cross	1	\$27.73
CR200	2" Poly Cross	1	\$33.95



POLY PIPE PLUGS			
PART NO	DESCRIPTION	QTY	PRICE
PLUG025	1/4" Poly Pipe Plug	10/bag	\$2.33
PLUG038	3/8" Poly Pipe Plug	10/bag	\$2.51
PLUG050	1/2" Poly Pipe Plug	10/bag	\$2.90
PLUG075	3/4" Poly Pipe Plug	10/bag	\$2.90
PLUG100	1" Poly Pipe Plug	10/bag	\$2.90
PLUG125	1 1/4" Poly Pipe Plug	10/bag	\$2.90
PLUG150	1 1/2" Poly Pipe Plug	10/bag	\$4.63
PLUG200	2" Poly Pipe Plug	10/bag	\$4.63
PLUG300	3" Poly Pipe Plug	1	\$18.25



POLY TEES			
PART NO	DESCRIPTION	QTY	PRICE
TEE025	1/4" Poly Tee	10/bag	\$3.91
TEE038	3/8" Poly Tee	10/bag	\$4.04
TEE050	1/2" Poly Tee	10/bag	\$4.25
TEE075	3/4" Poly Tee	10/bag	\$4.56
TEE100	1" Poly Tee	10/bag	\$6.58
TEE125	1 1/4" Poly Tee	10/bag	\$7.59
TEE150	1 1/2" Poly Tee	1	\$10.88
TEE200	2" Poly Tee	1	\$13.56
TEE300	3" Poly Tee	1	\$64.61



POLY CROSSES			
PART NO	DESCRIPTION	QTY	PRICE
HBC050075	1/2" x 3/4" Hose Barb Cross	1	\$18.60



POLY GAUGE TEE (GAUGE NOT INCLUDED)			
PART NO	DESCRIPTION	QTY	PRICE
TEG075	3/4" Poly Tee w/ 1/4" Female Thread	10/bag	\$18.44
TEG100	1" Poly Tee w/ 1/4" Female Thread	10/bag	\$18.44

PIPE FITTINGS



90° POLY ELBOWS

PART NO	DESCRIPTION	QTY	PRICE
EL025-90	1/4" 90° Poly Elbow	10/bag	\$3.26
EL038-90	3/8" 90° Poly Elbow	10/bag	\$4.05
EL050-90	1/2" 90° Poly Elbow	10/bag	\$3.66
EL075-90	3/4" 90° Poly Elbow	10/bag	\$3.97
EL100-90	1" 90° Poly Elbow	10/bag	\$4.68
EL125-90	1 1/4" 90° Poly Elbow	10/bag	\$5.84
EL150-90	1 1/2" 90° Poly Elbow	10/bag	\$9.17
EL200-90	2" 90° Poly Elbow	1	\$10.88
EL300-90	3" 90° Poly Elbow	1	\$55.36



90° POLY HOSE BARB ELBOW

PART NO	DESCRIPTION	QTY	PRICE
HBEL100-90	1" 90° Poly Hose Barb Elbow	10/bag	\$2.33



45° POLY ELBOW

PART NO	DESCRIPTION	QTY	PRICE
EL100-45	1" 45° Poly Street Elbow	10/bag	\$12.61



90° POLY HOSE BARB ELBOW

PART NO	DESCRIPTION	QTY	PRICE
HBB20012590	2" x 1 1/4" 90° Poly Hose Barb Elbow	10/bag	\$13.88



90° POLY STREET ELBOWS

PART NO	DESCRIPTION	QTY	PRICE
SL025-90	1/4" 90° Poly Street Elbow	10/bag	\$3.26
SL038-90	3/8" 90° Poly Street Elbow	10/bag	\$3.84
SL050-90	1/2" 90° Poly Street Elbow	10/bag	\$3.84
SL075-90	3/4" 90° Poly Street Elbow	10/bag	\$4.10
SL100-90	1" 90° Poly Street Elbow	10/bag	\$4.85
SL125-90	1 1/4" 90° Poly Street Elbow	10/bag	\$6.07
SL150-90	1 1/2" 90° Poly Street Elbow	10/bag	\$9.45
SL200-90	2" 90° Poly Street Elbow	1	\$11.22
SL300-90	3" 90° Poly Street Elbow	1	\$57.10



90° POLY HOSE BARB ELBOW

PART NO	DESCRIPTION	QTY	PRICE
HBEL150/100-90	1 1/2" x 1" 90° Poly Hose Barb Elbow	1	\$21.28



45° POLY STREET ELBOWS

PART NO	DESCRIPTION	QTY	PRICE
SL075-45	3/4" 45° Poly Street Elbow	10/bag	\$6.60
SL100-45	1" 45° Poly Street Elbow	10/bag	\$9.67
SL125-45	1 1/4" 45° Poly Street Elbow	10/bag	\$11.97
SL150-45	1 1/2" 45° Poly Street Elbow	10/bag	\$12.78
SL200-45	2" 45° Poly Street Elbow	1	\$15.15
SL300-45	3" 45° Poly Street Elbow	1	\$62.72

Please order in bag/box quantities for quick and easy shipping /receiving of your order. Use BANJO Part Numbers when ordering. All items priced each, not per bag or box quantity.

Polypropylene Pipe Fittings



POLY STRAIGHT HOSE BARBS

PART NO	DESCRIPTION	QTY	PRICE
HB025	1/4" Male Thread x 1/4" Hose Barb	10/bag	\$1.17
HB025-038	1/4" Male Thread x 3/8" Hose Barb	10/bag	\$1.17
HB025-050	1/4" Male Thread x 1/2" Hose Barb	10/bag	\$1.39
HB038	3/8" Male Thread x 3/8" Hose Barb	10/bag	\$1.25
HB038-025	3/8" Male Thread x 1/4" Hose Barb	10/bag	\$1.25
HB038-050	3/8" Male Thread x 1/2" Hose Barb	10/bag	\$1.25
HB050-025	1/2" Male Thread x 1/4" Hose Barb	10/bag	\$1.25
HB050-038	1/2" Male Thread x 3/8" Hose Barb	10/bag	\$1.25
HB050	1/2" Male Thread x 1/2" Hose Barb	10/bag	\$1.25
HB050-075	1/2" Male Thread x 3/4" Hose Barb	10/bag	\$1.39
HB075-038	3/4" Male Thread x 3/8" Hose Barb	10/bag	\$1.39
HB075-050	3/4" Male Thread x 1/2" Hose Barb	10/bag	\$1.39
HB075-058	3/4" Male Thread x 5/8" Hose Barb	10/bag	\$1.71
HB075	3/4" Male Thread x 3/4" Hose Barb	10/bag	\$1.39
HB075-100	3/4" Male Thread x 1" Hose Barb	10/bag	\$1.71
HB100-075	1" Male Thread x 3/4" Hose Barb	10/bag	\$1.71
HB100	1" Male Thread x 1" Hose Barb	10/bag	\$1.71
HB100-125	1" Male Thread x 1 1/4" Hose Barb	10/bag	\$2.10
HB125-075	1 1/4" Male Thread x 3/4" Hose Barb	10/bag	\$2.10
HB125-100	1 1/4" Male Thread x 1" Hose Barb	10/bag	\$2.10
HB125	1 1/4" Male Thread x 1 1/4" Hose Barb	10/bag	\$2.10
HB125-150	1 1/4" Male Thread x 1 1/2" Hose Barb	10/bag	\$4.01
HB150-100	1 1/2" Male Thread x 1" Hose Barb	10/bag	\$3.14
HB150-125	1 1/2" Male Thread x 1 1/4" Hose Barb	10/bag	\$3.14
HB150	1 1/2" Male Thread x 1 1/2" Hose Barb	10/bag	\$3.51
HB150-200	1 1/2" Male Thread x 2" Hose Barb	10/bag	\$5.39
HB200-150	2" Male Thread x 1 1/2" Hose Barb	10/bag	\$5.39
HB200	2" Male Thread x 2" Hose Barb	10/bag	\$4.29
HB300	3" Male Thread x 3" Hose Barb	1	\$13.86
HB400	4" Male Thread x 4" Hose Barb	1	\$29.05



POLY 90° HOSE BARBS

PART NO	DESCRIPTION	QTY	PRICE
HB025-90	1/4" Male Thread x 1/4" 90° Hose Barb	10/bag	\$1.39
HB025/038-90	1/4" Male Thread x 3/8" 90° Hose Barb	10/bag	\$1.39
HB025/050-90	1/4" Male Thread x 1/2" 90° Hose Barb	10/bag	\$1.39
HB038-90	3/8" Male Thread x 3/8" 90° Hose Barb	10/bag	\$1.39
HB050/038-90	1/2" Male Thread x 3/8" 90° Hose Barb	10/bag	\$1.39
HB050-90	1/2" Male Thread x 1/2" 90° Hose Barb	10/bag	\$1.39
HB050/075-90	1/2" Male Thread x 3/4" 90° Hose Barb	10/bag	\$1.39
HB075/050-90	3/4" Male Thread x 1/2" 90° Hose Barb	10/bag	\$1.75
HB075-90	3/4" Male Thread x 3/4" 90° Hose Barb	10/bag	\$1.75
HB075/100-90	3/4" Male Thread x 1" 90° Hose Barb	10/bag	\$1.75
HB100/075-90	1" Male Thread x 3/4" 90° Hose Barb	10/bag	\$2.25
HB100-90	1" Male Thread x 1" 90° Hose Barb	10/bag	\$2.25
HB100/125-90	1" Male Thread x 1 1/4" 90° Hose Barb	10/bag	\$2.76
HB125/100-90	1 1/4" Male Thread x 1" 90° Hose Barb	10/bag	\$2.76
HB125-90	1 1/4" Male Thread x 1 1/4" 90° Hose Barb	10/bag	\$2.76
HB125/150-90	1 1/4" Male Thread x 1 1/2" 90° Hose Barb	10/bag	\$7.95
HB150/125-90	1 1/2" Male Thread x 1 1/4" 90° Hose Barb	10/bag	\$7.95
HB150-90	1 1/2" Male Thread x 1 1/2" 90° Hose Barb	10/bag	\$7.95
HB200/150-90	2" Male Thread x 1 1/2" 90° Hose Barb	10/bag	\$8.71
HB200-90	2" Male Thread x 2" 90° Hose Barb	10/bag	\$8.71
HB300-90	3" Male Thread x 3" 90° Hose Barb	1	\$42.09



316 SS HOSE BARBS


PART NO	DESCRIPTION	QTY	PRICE
HB025SS	1/4" Male Thread x 1/4" Hose Shank	1	\$15.61
HB025-038SS	1/4" Male Thread x 3/8" Hose Shank	1	\$15.61
HB025-050SS	1/4" Male Thread x 1/2" Hose Shank	1	\$15.61
HB038SS	3/8" Male Thread x 3/8" Hose Shank	1	\$15.61
HB038-050SS	3/8" Male Thread x 1/2" Hose Shank	1	\$17.56
HB050SS	1/2" Male Thread x 1/2" Hose Shank	1	\$19.54
HB050-058SS	1/2" Male Thread x 5/8" Hose Shank	1	\$22.83
HB050-075SS	1/2" Male Thread x 3/4" Hose Shank	1	\$22.83
HB075-050SS	3/4" Male Thread x 1/2" Hose Shank	1	\$22.83
HB075SS	3/4" Male Thread x 3/4" Hose Shank	1	\$22.83
HB075-100SS	3/4" Male Thread x 1" Hose Shank	1	\$31.92
HB100-075SS	1" Male Thread x 3/4" Hose Shank	1	\$31.92
HB100SS	1" Male Thread x 1" Hose Shank	1	\$31.92
HB125SS	1 1/4" Male Thread x 1 1/4" Hose Shank	1	\$47.84
HB150SS	1 1/2" Male Thread x 1 1/2" Hose Shank	1	\$49.58
HB200SS	2" Male Thread x 2" Hose Shank	1	\$58.59
HB300SS	3" Male Thread x 3" Hose Shank	1	\$153.52




POLY FEMALE HOSE BARBS

PART NO	DESCRIPTION	QTY	PRICE
HBF075	3/4" Female Thread	10/bag	\$3.43
HBF075-100	3/4" Female Thread x 1" Hose Shank	10/bag	\$3.43
HBF100	1" Female Thread x 1" Hose Shank	10/bag	\$2.41


Please order in bag/box quantities for quick and easy shipping/receiving of your order. Use BANJO Part Numbers when ordering. All items priced each, not per bag or box quantity.






POLY HOSE BARB TEES			
PART NO	DESCRIPTION	QTY	PRICE
HBT025	1/4" Hose Barb Tee	10/bag	\$1.87
HBT038	3/8" Hose Barb Tee	10/bag	\$1.87
HBT050-038	1/2" x 1/2" x 3/8" Hose Barb Tee	10/bag	\$2.42
HBT050	1/2" Hose Barb Tee	10/bag	\$2.42
HBT050-075	1/2" x 1/2" x 3/4" Hose Barb Tee	10/bag	\$2.42
HBT075-050	3/4" x 3/4" x 1/2" Hose Barb Tee	10/bag	\$2.42
HBT075	3/4" Hose Barb Tee	10/bag	\$2.42
HBT075-100	3/4" x 3/4" x 1" Hose Barb Tee	10/bag	\$2.48
HBT100-075	1" x 1" x 3/4" Hose Barb Tee	10/bag	\$2.55
HBT100	1" Hose Barb Tee	10/bag	\$2.55
HBT200	2" Hose Barb Tee	1	\$10.61
HBT300	3" Hose Barb Tee	1	\$29.48



POLY HOSE MENDERS			
PART NO	DESCRIPTION	QTY	PRICE
HM025	1/4" x 1/4" Hose Barb	10/bag	\$1.29
HM038	3/8" x 3/8" Hose Barb	10/bag	\$1.29
HM050	1/2" x 1/2" Hose Barb	10/bag	\$1.32
HM075	3/4" x 3/4" Hose Barb	10/bag	\$1.44
HM100	1" x 1" Hose Barb	10/bag	\$1.75
HM125	1 1/4" x 1 1/4" Hose Barb	10/bag	\$1.98
HM150	1 1/2" x 1 1/2" Hose Barb	10/bag	\$3.51
HM200	2" x 2" Hose Barb	10/bag	\$4.41
HM300	3" x 3" Hose Barb	1	\$13.76




POLY HOSE BARB THREADED TEES			
PART NO	DESCRIPTION	QTY	PRICE
HBT100-100	1" Hose Barb x 1" Hose Barb x 1" Male Thread Hose Barb Tee	1	\$7.71
HBT150-100	1 1/2" Hose Barb x 1 1/2" Hose Barb x 1" Male Thread Hose Barb Tee	1	\$21.28
HBT150-150	1 1/2" Hose Barb x 1 1/2" Hose Barb x 1 1/2" Male Thread Hose Barb Tee	1	\$40.78

POLY SWIVEL				
PART NO	DESCRIPTION	MAX PSI	QTY	PRICE
SW100	1" Male x 1" Female Swivel	75	1	\$16.60
SW150	1 1/2" Male x 1 1/2" Female Swivel	75	1	\$20.32
SW200	2" Male x 2" Female Swivel	75	1	\$22.78
SW220	2" Full Port Male x 2" Full Port Female Swivel	75	1	\$37.92

Please order in bag/box quantities for quick and easy shipping/receiving of your order. Use BANJO Part Numbers when ordering. All items priced each, not per bag or box quantity.



8 STATION POLY MANIFOLD			
PART NO	DESCRIPTION	QTY	PRICE
TM075/050	8 Station Manifold 3/4" Inlet x 1/2" Outlet, 1/4" Gauge Port	1	\$33.93

Recommended procedure for sealing pipe threads:
 We DO NOT recommend using pipe tape. Pipe tape enlarges the outside diameter of the male thread and may cause the female thread to split. We recommend using a pipe thread sealant. Use on clean tapered threads. Apply a thick even coat on male threads using brush applicator. For pipe diameters smaller than 1 1/4" apply to male threads only. For 1 1/4" and larger sizes apply to both male and female threads. Avoid applying excessive amounts. Hand tighten joints and then torque another 1/2 to 3/4 turn until threads seal.
RECTORSEAL® No. 21™: This is a slow drying, soft set multi-purpose sealant designed for use where black is preferred. 8 oz. can with brush in the cap. Conforms to TT-S-1732.
RECTORSEAL® TRU-BLU™: This is a fast drying, flexible set thread sealant designed for high vibration environments. Teflon® has been added to enhance thread lubrication during assembly and break out. 8 oz. can with brush in the cap. Conforms to TT-S-1732.



NOTE: All recommendations as to use of parts and materials mentioned in this catalog assume that the buyer will ascertain their suitability and that all safety and health standards are met. *DuPont Registered Trademark

NOTE: WE CAN NO LONGER SHIP THIS PRODUCT OUTSIDE OF THE UNITED STATES.

PIPE SEALANT			
PART NO	DESCRIPTION	QTY	PRICE
RS21	RECTORSEAL® No. 21™ (8 oz-24/case)	1 can	\$32.41
RSTB	RECTORSEAL® TRU-BLU™ (8 oz-24/case)	1 can	\$30.65
RSTB-2	RECTORSEAL® TRU-BLU™ w/TFE (2 oz)	1 tube	\$10.08



Polypropylene Mini "T" Line Strainers

FEATURES

- Heavy-duty glass reinforced polypropylene.
- Clear or black polypropylene bowl.
- Polypropylene ribbed 316 stainless steel screens.
- EPDM gaskets standard.
- Clear Bowl Max 100 P.S.I. at 70°F.
Black Bowl Max 150 P.S.I. at 70°F.
- Convenient color coded screens for easy mesh size identification. (Refer to chart below)



1/2" Mini T-Strainer with Clear Bowl



1/2" Mini T-Strainer with Black Bowl

SCREENS	
MESH SIZE	RIB COLOR
30 MESH	YELLOW
50 MESH	RED
80 MESH	BLUE
100 MESH	GREEN

1/2" MINI T-STRAINER W/CLEAR BOWL			
PART NO	DESCRIPTION	QTY	PRICE
LSTM050-30C	1/2" x 1/2" Clear Bowl Strainer w/30 Mesh Screen	1	\$28.85
LSTM050-50C	1/2" x 1/2" Clear Bowl Strainer w/50 Mesh Screen	1	\$28.85
LSTM050-80C	1/2" x 1/2" Clear Bowl Strainer w/80 Mesh Screen	1	\$28.85
LSTM050-100C	1/2" x 1/2" Clear Bowl Strainer w/100 Mesh Screen	1	\$28.85

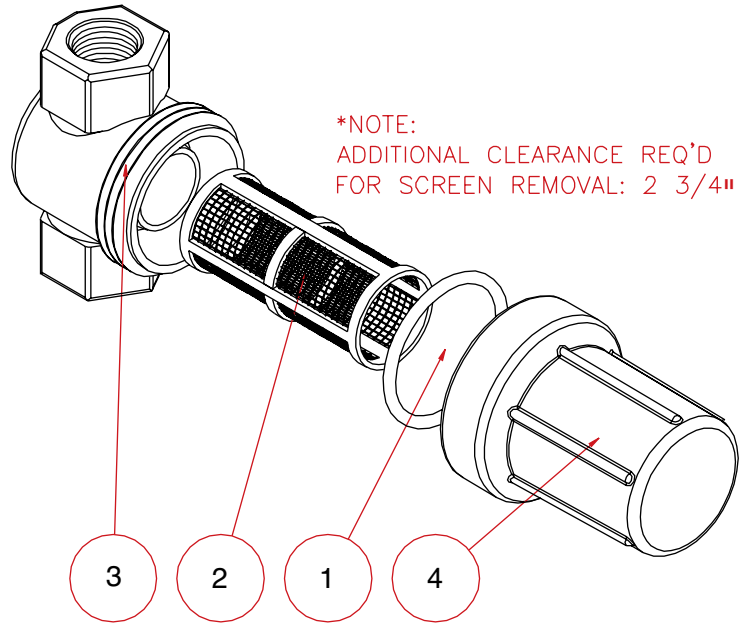
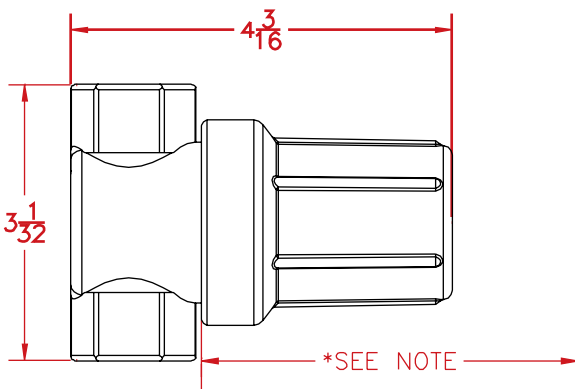
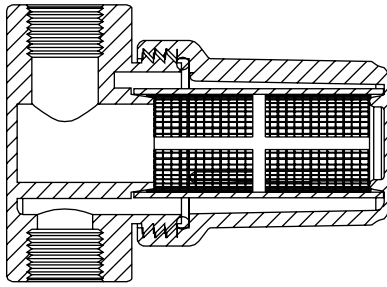
1/2" MINI T-STRAINER W/BLACK BOWL			
PART NO	DESCRIPTION	QTY	PRICE
LSTM050-30	1/2" x 1/2" Black Bowl Strainer w/30 Mesh Screen	1	\$21.49
LSTM050-50	1/2" x 1/2" Black Bowl Strainer w/50 Mesh Screen	1	\$21.49
LSTM050-80	1/2" x 1/2" Black Bowl Strainer w/80 Mesh Screen	1	\$21.49
LSTM050-100	1/2" x 1/2" Black Bowl Strainer w/100 Mesh Screen	1	\$21.49

3/4" MINI T-STRAINER W/CLEAR BOWL			
PART NO	DESCRIPTION	QTY	PRICE
LSTM075-30C	3/4" x 3/4" Clear Bowl Strainer w/30 Mesh Screen	1	\$28.85
LSTM075-50C	3/4" x 3/4" Clear Bowl Strainer w/50 Mesh Screen	1	\$28.85
LSTM075-80C	3/4" x 3/4" Clear Bowl Strainer w/80 Mesh Screen	1	\$28.85
LSTM075-100C	3/4" x 3/4" Clear Bowl Strainer w/100 Mesh Screen	1	\$28.85

3/4" MINI T-STRAINER W/BLACK BOWL			
PART NO	DESCRIPTION	QTY	PRICE
LSTM075-30	3/4" x 3/4" Black Bowl Strainer w/30 Mesh Screen	1	\$21.49
LSTM075-50	3/4" x 3/4" Black Bowl Strainer w/50 Mesh Screen	1	\$21.49
LSTM075-80	3/4" x 3/4" Black Bowl Strainer w/80 Mesh Screen	1	\$21.49
LSTM075-100	3/4" x 3/4" Black Bowl Strainer w/100 Mesh Screen	1	\$21.49

STANDARD MESHES & DATA (FOR GENERAL USE ONLY)				
MESH	MICRONS	WIRE DIAMETER	OPENING	% OPEN AREA
30 Mesh	595	.012	.021	40.8
50 Mesh	297	.009	.011	30.3
80 Mesh	177	.0055	.007	31.4
100 Mesh	149	.0045	.005	30.3

LINE STRAINERS



*NOTE:
ADDITIONAL CLEARANCE REQ'D
FOR SCREEN REMOVAL: 2 3/4"

REPLACEMENT PARTS LSTM050-C & LSTM075-C				
ITEM	PART NO	DESCRIPTION	QTY	PRICE
1	LSTM050G	EPDM Gasket	1	\$3.76
1	UV10264V	FKM (viton type) O-Ring	1	\$5.87
2	LST530	30 Mesh Screen	1	\$14.50
2	LST550	50 Mesh Screen	1	\$14.50
2	LST580	80 Mesh Screen	1	\$14.50
2	LST5100	100 Mesh Screen	1	\$14.50
3	LST050H	1/2" Strainer Head	1	\$13.24
3	LST075H2	3/4" Strainer Head	1	\$13.24
4	LST050BC	Clear Bowl	1	\$16.20

REPLACEMENT PARTS LSTM050 & LSTM075				
ITEM	PART NO	DESCRIPTION	QTY	PRICE
1	LSTM050G	EPDM Gasket	1	\$3.76
1	UV10264V	FKM (viton type) O-Ring	1	\$5.87
2	LST530	30 Mesh Screen	1	\$14.50
2	LST550	50 Mesh Screen	1	\$14.50
2	LST580	80 Mesh Screen	1	\$14.50
2	LST5100	100 Mesh Screen	1	\$14.50
3	LST050H	1/2" Strainer Head	1	\$13.24
3	LST075H2	3/4" Strainer Head	1	\$13.24
4	LST050B	Black Bowl	1	\$8.84

Polypropylene "T" Line Strainers

FEATURES

- Heavy-duty glass reinforced polypropylene.
- Clean-out plug.
- 316 stainless steel reinforced screens.
- EPDM gaskets standard. FKM (viton type) available.
- 150 P.S.I. at 70°F.



3/4" And 1"



1 1/4" And 1 1/2"

SCREENS	
MESH SIZE	RIB COLOR
16 MESH	GRAY
30 MESH	YELLOW
50 MESH	RED
80 MESH	BLUE
100 MESH	GREEN

3/4" T-STRAINER W/SS SCREENS			
PART NO	DESCRIPTION	QTY	PRICE
LST075-16	3/4" x 3/4" T Strainer w/16 Mesh SS Screen	1	\$38.57
LST075-30	3/4" x 3/4" T Strainer w/30 Mesh SS Screen	1	\$38.57
LST075-50	3/4" x 3/4" T Strainer w/50 Mesh SS Screen	1	\$38.57
LST075-80	3/4" x 3/4" T Strainer w/80 Mesh SS Screen	1	\$38.57
LST075-100	3/4" x 3/4" T Strainer w/100 Mesh SS Screen	1	\$38.57

1 1/4" T-STRAINER W/SS SCREENS			
PART NO	DESCRIPTION	QTY	PRICE
LST125-16	1 1/4" x 1 1/4" T Strainer w/16 Mesh SS Screen	1	\$76.84
LST125-30	1 1/4" x 1 1/4" T Strainer w/30 Mesh SS Screen	1	\$76.84
LST125-50	1 1/4" x 1 1/4" T Strainer w/50 Mesh SS Screen	1	\$76.84
LST125-80	1 1/4" x 1 1/4" T Strainer w/80 Mesh SS Screen	1	\$76.84
LST125-100	1 1/4" x 1 1/4" T Strainer w/100 Mesh SS Screen	1	\$76.84

1" T-STRAINER W/SS SCREENS			
PART NO	DESCRIPTION	QTY	PRICE
LST100-16	1" x 1" T Strainer w/16 Mesh SS Screen	1	\$38.57
LST100-30	1" x 1" T Strainer w/30 Mesh SS Screen	1	\$38.57
LST100-50	1" x 1" T Strainer w/50 Mesh SS Screen	1	\$38.57
LST100-80	1" x 1" T Strainer w/80 Mesh SS Screen	1	\$38.57
LST100-100	1" x 1" T Strainer w/100 Mesh SS Screen	1	\$38.57

1 1/2" T-STRAINER W/SS SCREENS			
PART NO	DESCRIPTION	QTY	PRICE
LST150-16	1 1/2" x 1 1/2" T Strainer w/16 Mesh SS Screen	1	\$76.84
LST150-30	1 1/2" x 1 1/2" T Strainer w/30 Mesh SS Screen	1	\$76.84
LST150-50	1 1/2" x 1 1/2" T Strainer w/50 Mesh SS Screen	1	\$76.84
LST150-80	1 1/2" x 1 1/2" T Strainer w/80 Mesh SS Screen	1	\$76.84
LST150-100	1 1/2" x 1 1/2" T Strainer w/100 Mesh SS Screen	1	\$76.84

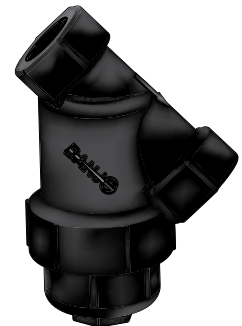


LVHB038050MTV



LV050100MTV

POLY MICRO VALVES						
PART NO	DESCRIPTION	MAX PSI	PIPE SIZE	OPENING THRU BALL	QTY	PRICE
LV038050MTV	3/8" Female x 1/2" Male NPT Micro Valve for 1/2" Drain Plug	300	3/8" x 1/2"	3/8"	1	\$17.87
LVHB038050MTV	3/8" Hose Barb x 1/2" Male NPT Micro Valve for 1/2" Drain Plug	300	1/2"	3/8"	1	\$17.87
LV050100MTV	1/2" Female x 1" Male NPT Micro Valve for 1" Drain Plug	300	1/2" x 1"	15/32"	1	\$17.87
LVHB075100MTV	3/4" Hose Barbx 1" Male NPT Micro Valve for 1" Drain Plug	300	1"	15/32"	1	\$17.87

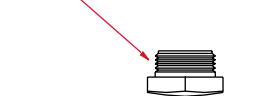
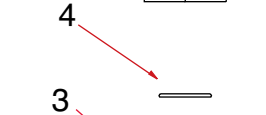
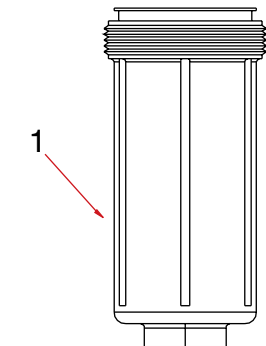
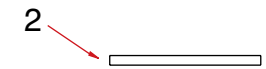
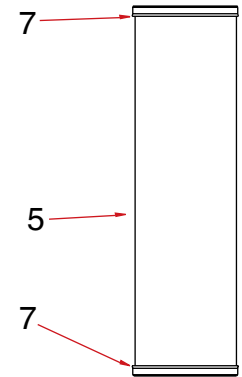
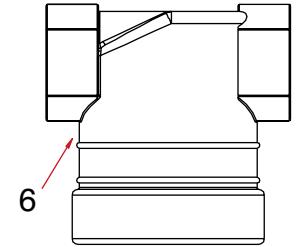


Add poly micro valve for easy clean out!



LINE STRAINERS

REPLACEMENT PARTS LST075 & LST100				
ITEM	PART NO	DESCRIPTION	QTY	PRICE
1	LST100-B*	¾" & 1" Bowl	1	\$13.15
2	LST100-G	¾" & 1" EPDM Gasket	1	\$3.46
2	LST100-GV	¾" & 1" FKM (viton type) Gasket	1	\$7.35
3	12777	½" Clean Out Plug	1	\$2.33
4	UV15163	EPDM O-Ring for Clean Out Plug	1	\$0.46
4	UV15163V	FKM (viton type) O-Ring for Clean Out Plug	1	\$3.32
5	LST116	16 Mesh Screen	1	\$18.21
5	LST130	30 Mesh Screen	1	\$18.21
5	LST150	50 Mesh Screen	1	\$18.21
5	LST180	80 Mesh Screen	1	\$18.21
5	LST1100	100 Mesh Screen	1	\$18.21
6	LST075-H	¾" Strainer Head	1	\$11.59
6	LST100-H	1" Strainer Head	1	\$11.59
7	13778	EPDM O-Ring for Screen	1	\$1.94
N/S	LST075-HB	¾" Strainer Head, Bowl & Gasket	1	\$21.97
N/S	LST100-HB	1" Strainer Head, Bowl & Gasket	1	\$21.97



NOTE: Items marked with asterisk* include parts 1, 3 and 4.

REPLACEMENT PARTS LST125 & LST150				
ITEM	PART NO	DESCRIPTION	QTY	PRICE
1	LST150-B*	1¼" & 1½" Bowl	1	\$21.66
2	LST150-G	1¼" & 1½" EPDM Gasket	1	\$3.87
2	LST150-GV	1¼" & 1½" FKM (viton type) Gasket	1	\$8.89
3	LSQ200-PL	1" Clean Out Plug	1	\$2.77
4	LSQ200-R	EPDM O-Ring for Clean Out Plug	1	\$0.47
4	LSQ200-RV	FKM (viton type) O-Ring for Clean Out Plug	1	\$1.47
5	LST1516	16 Mesh Screen	1	\$29.89
5	LST1530	30 Mesh Screen	1	\$29.89
5	LST1550	50 Mesh Screen	1	\$29.89
5	LST1580	80 Mesh Screen	1	\$29.89
5	LST15100	100 Mesh Screen	1	\$29.89
6	LST125-H	1¼" Strainer Head	1	\$27.85
6	LST150-H	1½" Strainer Head	1	\$27.85
7	LST034G	EPDM O-Ring for Screen	1	\$2.89
N/S	LST125-HB	1¼" Strainer Head, Bowl & Gasket	1	\$49.54
N/S	LST150-HB	1½" Strainer Head, Bowl & Gasket	1	\$49.54

NOTE: Items marked with asterisk* include parts 1, 3 and 4.

STANDARD MESHES & DATA (FOR GENERAL USE ONLY)

MESH	MICRONS	WIRE DIAMETER	OPENING	% OPEN AREA
16 Mesh	1190	.018	.044	50.7
30 Mesh	595	.012	.021	40.8
50 Mesh	297	.009	.011	30.3
80 Mesh	177	.0055	.007	31.4
100 Mesh	149	.0045	.005	30.3

2" "T" Line Strainer — Poly/Stainless Combo

FEATURES

- 316 stainless steel head.
- Glass reinforced polypropylene bowl.
- Clean-out plug.
- 316 stainless steel reinforced screens.
- FKM (viton type) gaskets.
- 150 P.S.I. at 70°F.

2" POLY/SS T-STRAINER W/ SCREENS			
PART NO	DESCRIPTION	QTY	PRICE
LST200-04SS	2" x 2" T Strainer (SS Head & Poly Body) w/4MeshScreen	1	\$667.93
LST200-06SS	2" x 2" T Strainer (SS Head & Poly Body) w/6MeshScreen	1	\$667.93
LST200-08SS	2" x 2" T Strainer (SS Head & Poly Body) w/8MeshScreen	1	\$667.93
LST200-10SS	2" x 2" T Strainer (SS Head & Poly Body) w/10 Mesh Screen	1	\$667.93
LST200-16SS	2" x 2" T Strainer (SS Head & Poly Body) w/16 Mesh Screen	1	\$667.93
LST200-30SS	2" x 2" T Strainer (SS Head & Poly Body) w/30 Mesh Screen	1	\$667.93
LST200-50SS	2" x 2" T Strainer (SS Head & Poly Body) w/50 Mesh Screen	1	\$667.93
LST200-80SS	2" x 2" T Strainer (SS Head & Poly Body) w/80 Mesh Screen	1	\$667.93
LST200-100SS	2" x 2" T Strainer (SS Head & Poly Body) w/100 Mesh Screen	1	\$667.93

POLY MICRO VALVES						
PART NO	DESCRIPTION	MAX PSI	PIPE SIZE	OPENING THRU BALL	QTY	PRICE
LV038050MTV	3/8" Female x 1/2" Male NPT Micro Valve for 1/2" Drain Plug	300	3/8"x1/2"	3/8"	1	\$17.87
LVHB038050MTV	3/8" Hose Barb x 1/2" Male NPT Micro Valve for 1/2" Drain Plug	300	1/2"	3/8"	1	\$17.87
LV050100MTV	1/2" Female x 1" Male NPT Micro Valve for 1" Drain Plug	300	1/2"x1"	15/32"	1	\$17.87
LVHB075100MTV	3/4" Hose Barbx 1" Male NPT Micro Valve for 1" Drain Plug	300	1"	15/32"	1	\$17.87



Add poly micro valve for easy clean out!

LSQ Polypropylene Line Strainers

FEATURES

- Precision molded in glass reinforced polypropylene.
- Cam lever configuration for easy access for cleaning and servicing.
- 3/4" plug in cam lever cap for attaching ball valve for draining or back flushing.
- Poly ribbed 316 stainless steel screen.
- EPDM lathe cut gasket.
- FKM (viton type) gaskets available.
- 75 P.S.I. maximum.

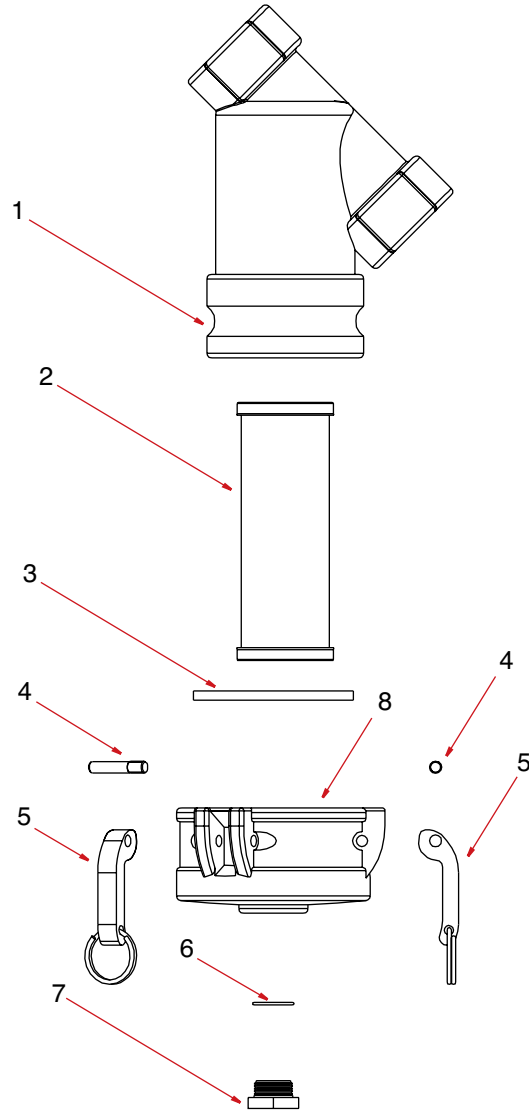
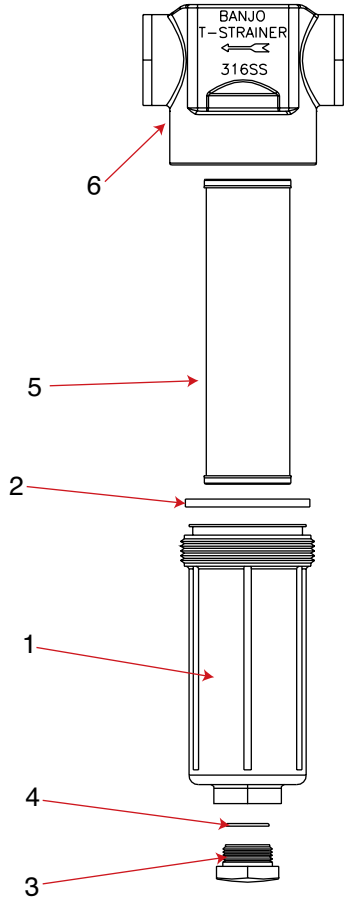


SCREENS	
MESH SIZE	RIB COLOR
6 MESH	WHITE
12 MESH	BLACK
20 MESH	BEIGE
30 MESH	YELLOW
50 MESH	RED
80 MESH	BLUE
120 MESH	BLACK

1 1/2" LSQ POLY STRAINERS			
PART NO	DESCRIPTION	QTY	PRICE
LSQ150-06	1 1/2" x 1 1/2" LSQ Strainer w/6 Mesh Screen	6/Box	\$115.92
LSQ150-12	1 1/2" x 1 1/2" LSQ Strainer w/12 Mesh Screen	6/Box	\$115.92
LSQ150-20	1 1/2" x 1 1/2" LSQ Strainer w/20 Mesh Screen	6/Box	\$115.92
LSQ150-30	1 1/2" x 1 1/2" LSQ Strainer w/30 Mesh Screen	6/Box	\$115.92
LSQ150-50	1 1/2" x 1 1/2" LSQ Strainer w/50 Mesh Screen	6/Box	\$115.92
LSQ150-80	1 1/2" x 1 1/2" LSQ Strainer w/80 Mesh Screen	6/Box	\$115.92
LSQ150-120	1 1/2" x 1 1/2" LSQ Strainer w/120 Mesh Screen	6/Box	\$115.92

2" LSQ POLY STRAINERS			
PART NO	DESCRIPTION	QTY	PRICE
LSQ200-06	2" x 2" LSQ Strainer w/6 Mesh Screen	6/Box	\$115.92
LSQ200-12	2" x 2" LSQ Strainer w/12 Mesh Screen	6/Box	\$115.92
LSQ200-20	2" x 2" LSQ Strainer w/20 Mesh Screen	6/Box	\$115.92
LSQ200-30	2" x 2" LSQ Strainer w/30 Mesh Screen	6/Box	\$115.92
LSQ200-50	2" x 2" LSQ Strainer w/50 Mesh Screen	6/Box	\$115.92
LSQ200-80	2" x 2" LSQ Strainer w/80 Mesh Screen	6/Box	\$115.92
LSQ200-120	2" x 2" LSQ Strainer w/120 Mesh Screen	6/Box	\$115.92





REPLACEMENT PARTS LST200				
ITEM	PART NO	DESCRIPTION	QTY	PRICE
1	LST200-B*	2" Poly Bowl	1	\$113.81
2	LST200-GV	2" FKM (viton type) Gasket	1	\$27.06
3	LSQ200-PL	1" Clean Out Plug	1	\$2.77
4	LSQ200-RV	FKM (viton type) O-Ring for Clean Out Plug	1	\$1.47
5	LST204SS	4 Mesh SS Screen	1	\$58.86
5	LST206SS	6 Mesh SS Screen	1	\$58.86
5	LST208SS	8 Mesh SS Screen	1	\$58.86
5	LST210SS	10 Mesh SS Screen	1	\$58.86
5	LST216SS	16 Mesh SS Screen	1	\$58.86
5	LST230SS	30 Mesh SS Screen	1	\$58.86
5	LST250SS	50 Mesh SS Screen	1	\$58.86
5	LST280SS	80 Mesh SS Screen	1	\$58.86
5	LST2100SS	100 Mesh SS Screen	1	\$58.86
6	LST200-HSS	2" SS Head	1	\$524.15
N/S	LST200-HBSS	2" SS Head, Poly Bowl & Gasket	1	\$606.67

NOTE: Items marked with asterisk* include parts 1, 3 and 4.

REPLACEMENT PARTS LSQ150 & LSQ200				
ITEM	PART NO	DESCRIPTION	QTY	PRICE
1	LSQ150-B	1½" LSQ Body	1	\$52.17
1	LSQ200-B	2" LSQ Body	1	\$52.17
2	LS206	6 Mesh Screen	1	\$44.20
2	LS212	12 Mesh Screen	1	\$44.20
2	LS220	20 Mesh Screen	1	\$44.20
2	LS230	30 Mesh Screen	1	\$44.20
2	LS250	50 Mesh Screen	1	\$44.20
2	LS280	80 Mesh Screen	1	\$44.20
2	LS2120	120 Mesh Screen	1	\$44.20
2	LS2150	150 Mesh Screen	1	\$49.12
3	LSQ200-G	2" EPDM Gasket	1	\$7.73
3	LSQ200-GV	2" FKM (viton type) Gasket	1	\$48.67
4	300P	SS Cam Pin	1	\$2.05
5	300K	3" SS Cam Arm w/Ring	1	\$6.54
6	LSQ200R1	EPDM for Clean Out Plug	1	\$0.47
6	13778V	FKM (viton type) O-Ring for Clean Out Plug	1	\$2.70
7	PLUG075S	¾" Clean Out Plug	1	\$3.24
8	LSQ200-C*	2" Cap	1	\$64.95

NOTE: Items marked with asterisk* include parts 3, 4, 5, 6 and 7.

STANDARD MESHES & DATA (FOR GENERAL USE ONLY)				
MESH	MICRONS	WIRE DIAMETER	OPENING	% OPEN AREA
6 Mesh	3360	.035	.132	62.7
8 Mesh	2380	.028	.097	60.2
10 Mesh	2000	.025	.075	56.3
12 Mesh	1680	.023	.060	51.8
16 Mesh	1190	.018	.044	50.7
20 Mesh	841	.016	.034	46.2
30 Mesh	595	.012	.021	40.8
50 Mesh	297	.009	.011	30.3
80 Mesh	177	.0055	.007	31.4
100 Mesh	149	.0045	.005	30.3
120 Mesh	125	.0037	.0046	30.5

1/2"-1 1/4" Polypropylene "Y" Strainers

FEATURES

- Precision molded construction.
- Corrosion resistant.
- Lightweight.
- Fiberglass reinforced.
- Easy grip end cap.
- Poly ribbed 304 stainless steel screen.
- EPDM gaskets FKM (viton type) available.
- Heavy duty end cap threads.
- 150 P.S.I. Maximum.
- Clean-out plug.
- Female NPT x Female NPT.



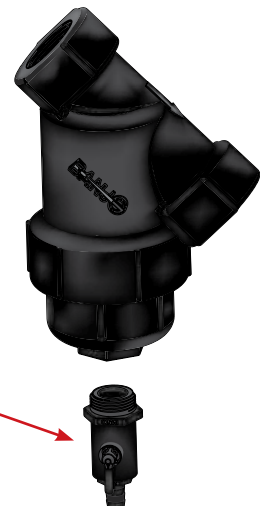
1/2" Y-STRAINER W/POLY RIBBED SS SCREENS				
PART NO	DESCRIPTION	QTY	PRICE	
LS050-20	1/2" x 1/2" Y Strainer w/20 Mesh SS Screen	1	\$36.48	
LS050-40	1/2" x 1/2" Y Strainer w/40 Mesh SS Screen	1	\$36.48	
LS050-60	1/2" x 1/2" Y Strainer w/60 Mesh SS Screen	1	\$36.48	
LS050-80	1/2" x 1/2" Y Strainer w/80 Mesh SS Screen	1	\$36.48	

1" Y-STRAINER W/ POLY RIBBED SS SCREENS				
PART NO	DESCRIPTION	QTY	PRICE	
LS100-20	1" x 1" Y Strainer w/20 Mesh SS Screen	1	\$36.48	
LS100-40	1" x 1" Y Strainer w/40 Mesh SS Screen	1	\$36.48	
LS100-80	1" x 1" Y Strainer w/80 Mesh SS Screen	1	\$40.05	

3/4" Y-STRAINER W/ POLY RIBBED SS SCREENS				
PART NO	DESCRIPTION	QTY	PRICE	
LS075-20	3/4" x 3/4" Y Strainer w/20 Mesh SS Screen	1	\$36.48	
LS075-40	3/4" x 3/4" Y Strainer w/40 Mesh SS Screen	1	\$36.48	
LS075-60	3/4" x 3/4" Y Strainer w/60 Mesh SS Screen	1	\$36.48	
LS075-80	3/4" x 3/4" Y Strainer w/80 Mesh SS Screen	1	\$36.48	

1 1/4" Y-STRAINER W/ POLY RIBBED SS SCREENS				
PART NO	DESCRIPTION	QTY	PRICE	
LS125-20	1 1/4" x 1 1/4" Y Strainer w/20 Mesh SS Screen	1	\$36.48	
LS125-40	1 1/4" x 1 1/4" Y Strainer w/40 Mesh SS Screen	1	\$36.48	
LS125-80	1 1/4" x 1 1/4" Y Strainer w/80 Mesh SS Screen	1	\$40.05	

POLY MICRO VALVES						
PART NO	DESCRIPTION	MAX PSI	PIPE SIZE	OPENING THRU BALL	QTY	PRICE
LV038050MTV	3/8" Female x 1/2" Male NPT Micro Valve for 1/2" Drain Plug	300	3/8"x1/2"	3/8"	1	\$17.87
LVHB038050MTV	3/8" Hose Barb x 1/2" Male NPT Micro Valve for 1/2" Drain Plug	300	1/2"	3/8"	1	\$17.87
LV050100MTV	1/2" Female x 1" Male NPT Micro Valve for 1" Drain Plug	300	1/2"x1"	15/32"	1	\$17.87
LVHB075100MTV	3/4" Hose Barb x 1" Male NPT Micro Valve for 1" Drain Plug	300	1"	15/32"	1	\$17.87

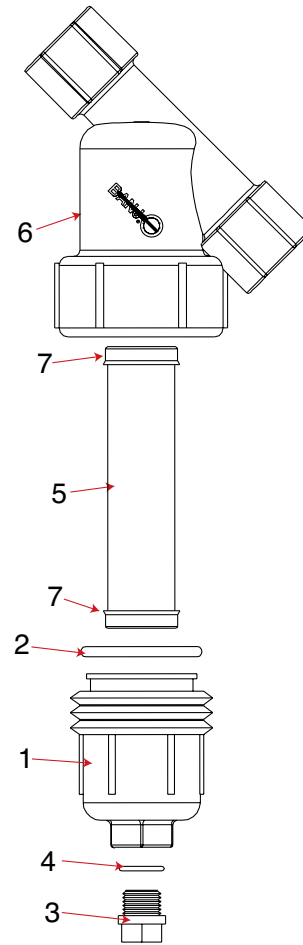


Add poly micro valve for easy clean out!



REPLACEMENT PARTS 1/2"-3/4" Y STRAINERS				
ITEM	PART NO	DESCRIPTION	QTY	PRICE
1	LS075-C1*	1/2"-3/4" End Cap	1	\$9.83
2	LS075-G	1/2"-3/4" O-Ring	1	\$2.95
2	LS075-GV	1/2"-3/4" FKM (viton type) Gasket	1	\$5.24
3	12723	1/4" Drain Plug (Fits 1/2"-3/4")	1	\$2.01
4	12724	1/2"-3/4" EPDM O-Ring for Drain Plug	1	\$0.44
5	LS720	1/2"-3/4" 20 Mesh Screen	1	\$21.59
5	LS740	1/2"-3/4" 40 Mesh Screen	1	\$21.59
5	LS760	1/2"-3/4" 60 Mesh Screen	1	\$21.59
5	LS780	1/2"-3/4" 80 Mesh Screen	1	\$21.59
6	LS050-B	1/2" Y Body	1	\$8.04
6	LS075-B	3/4" Y Body	1	\$8.04
N/S	LS050B/C1	1/2" Y Body, Cap & Gasket	1	\$16.77
N/S	LS075B/C1	3/4" Y Body, Cap & Gasket	1	\$16.77

REPLACEMENT PARTS 1"-1 1/4" Y STRAINERS				
ITEM	PART NO	DESCRIPTION	QTY	PRICE
1	LS100-C1*	1"-1 1/4" End Cap	1	\$13.92
2	LS100-G	1"-1 1/4" O-Ring	1	\$3.46
2	LS100-GV	1"-1 1/4" FKM (viton type) Gasket	1	\$6.97
3	12777	1/2" Drain Plug (Fits 1"-1 1/4")	1	\$2.33
4	UV15163	1"-1 1/4" EPDM O-Ring for Drain Plug	1	\$0.46
4	UV15163V	1"-1 1/4" FKM (viton type) O-Ring for Drain Plug	1	\$3.32
5	LS120	1"-1 1/4" 20 Mesh Screen	1	\$21.59
5	LS140	1"-1 1/4" 40 Mesh Screen	1	\$21.59
5	LS180	1"-1 1/4" 80 Mesh Screen	1	\$21.59
6	LS100-B	1" Y Body	1	\$25.05
6	LS125-B	1 1/4" Y Body	1	\$25.05
7	LS125G	1"-1 1/4" EPDM O-Ring	1	\$2.42
N/S	LS100B/C1	1" Y Body, Cap & Gasket	1	\$16.77
N/S	LS125B/C1	1 1/4" Y Body, Cap & Gasket	1	\$16.77



NOTE: Items marked with asterisk* come with parts 1, 3, and 4.

SCREENS	
MESH SIZE	RIB COLOR
6 MESH	WHITE
12 MESH	BLACK
20 MESH	BEIGE
30 MESH	YELLOW
40 MESH	BROWN
50 MESH	RED
60 MESH	ORANGE
80 MESH	BLUE
100 MESH	GREEN
120 MESH	BLACK

STANDARD MESHES & DATA (FOR GENERAL USE ONLY)				
MESH	MICRONS	WIRE DIAMETER	OPENING	% OPEN AREA
6 Mesh	3360	.035	.132	62.7
8 Mesh	2380	.028	.097	60.2
12 Mesh	1680	.023	.060	51.8
16 Mesh	1190	.018	.044	50.7
20 Mesh	841	.016	.034	46.2
30 Mesh	595	.012	.021	40.8
40 Mesh	400	.012	.021	36.0
50 Mesh	297	.009	.011	30.3
80 Mesh	177	.0055	.007	31.4
100 Mesh	149	.0045	.005	30.3
120 Mesh	125	.0037	.0046	30.5

1½"-2" Polypropylene "Y" Strainers

FEATURES

- Precision molded construction.
- Corrosion resistant.
- Lightweight.
- Fiberglass reinforced.
- Easy grip end cap.
- Poly ribbed 316 stainless steel screen.
- EPDM gaskets FKM (viton type) available.
- Heavy duty end cap threads.
- 1½"- 2" 150 P.S.I. Maximum.
- Clean-out plug.
- Female NPT x Female NPT.



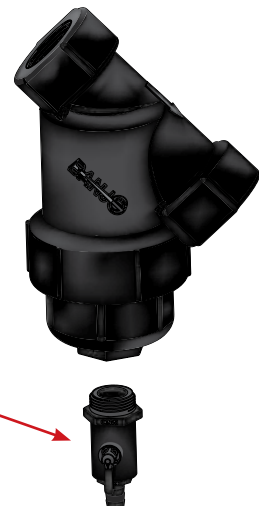
1½" Y-STRAINER W/ALL POLY SCREENS			
PART NO	DESCRIPTION	QTY	PRICE
LS150-12P	1½" x 1½" Y Strainer w/12 Mesh All Poly Screen	12	\$80.26
LS150-20P	1½" x 1½" Y Strainer w/20 Mesh All Poly Screen	12	\$80.26
LS150-50P	1½" x 1½" Y Strainer w/50 Mesh All Poly Screen	12	\$80.26

1½" Y-STRAINER W/POLY RIBBED SS SCREENS			
PART NO	DESCRIPTION	QTY	PRICE
LS150-06	1½" x 1½" Y Strainer w/6 Mesh SS Screen	12	\$80.26
LS150-12	1½" x 1½" Y Strainer w/12 Mesh SS Screen	12	\$80.26
LS150-20	1½" x 1½" Y Strainer w/20 Mesh SS Screen	12	\$80.26
LS150-30	1½" x 1½" Y Strainer w/30 Mesh SS Screen	12	\$80.26
LS150-50	1½" x 1½" Y Strainer w/50 Mesh SS Screen	12	\$80.26
LS150-80	1½" x 1½" Y Strainer w/80 Mesh SS Screen	12	\$80.26
LS150-120	1½" x 1½" Y Strainer w/120 Mesh SS Screen	12	\$80.26

2" Y-STRAINER W/ALL POLY SCREENS			
PART NO	DESCRIPTION	QTY	PRICE
LS200-12P	2" x 2" Y Strainer w/12 Mesh All Poly Screen	12	\$80.26
LS200-20P	2" x 2" Y Strainer w/20 Mesh All Poly Screen	12	\$80.26
LS200-50P	2" x 2" Y Strainer w/50 Mesh All Poly Screen	12	\$80.26

2" Y-STRAINER W/POLY RIBBED SS SCREENS			
PART NO	DESCRIPTION	QTY	PRICE
LS200-06	2" x 2" Y Strainer w/6 Mesh Poly Ribbed SS Screen	12	\$80.26
LS200-12	2" x 2" Y Strainer w/12 Mesh Poly Ribbed SS Screen	12	\$80.26
LS200-20	2" x 2" Y Strainer w/20 Mesh Poly Ribbed SS Screen	12	\$80.26
LS200-30	2" x 2" Y Strainer w/30 Mesh Poly Ribbed SS Screen	12	\$80.26
LS200-50	2" x 2" Y Strainer w/50 Mesh Poly Ribbed SS Screen	12	\$80.26
LS200-80	2" x 2" Y Strainer w/80 Mesh Poly Ribbed SS Screen	12	\$80.26
LS200-100	2" x 2" Y Strainer w/100 Mesh Poly Ribbed SS Screen	12	\$80.26
LS200-120	2" x 2" Y Strainer w/120 Mesh Poly Ribbed SS Screen	12	\$80.26

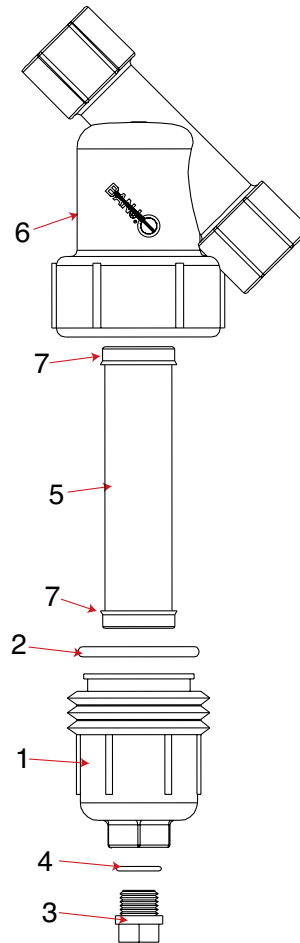
POLY MICRO VALVES						
PART NO	DESCRIPTION	MAX PSI	PIPE SIZE	OPENING THRU BALL	QTY	PRICE
LV038050MTV	3/8" Female x 1/2" Male NPT Micro Valve for 1/2" Drain Plug	300	3/8"x1/2"	3/8"	1	\$17.87
LVHB038050MTV	3/8" Hose Barb x 1/2" Male NPT Micro Valve for 1/2" Drain Plug	300	1/2"	3/8"	1	\$17.87
LV050100MTV	1/2" Female x 1" Male NPT Micro Valve for 1" Drain Plug	300	1/2"x1"	15/32"	1	\$17.87
LVHB075100MTV	3/4" Hose Barbx 1" Male NPT Micro Valve for 1" Drain Plug	300	1"	15/32"	1	\$17.87



Add poly micro valve for easy clean out!

REPLACEMENT PARTS 1½"-2" Y STRAINERS				
ITEM	PART NO	DESCRIPTION	QTY	PRICE
1	LS150-C*	1½" - 2" End Cap	1	\$22.03
2	LS150-G	1½"-2" O-Ring	1	\$3.46
2	LS150-GV	1½"-2" FKM (viton type) Gasket	1	\$11.59
3	LSQ200-PL	1" Drain Plug (Fits 1½" - 2")	1	\$2.77
4	LSQ200-R	1½"-2" EPDM O-Ring for Drain Plug	1	\$0.47
4	LSQ200-RV	1½"-2" FKM (viton type) O-Ring for Drain Plug	1	\$1.47
5	LS206	1½"-2" 6 Mesh Screen	1	\$44.20
5	LS212	1½"-2" 12 Mesh Screen	1	\$44.20
5	LS220	1½"-2" 20 Mesh Screen	1	\$44.20
5	LS230	1½"-2" 30 Mesh Screen	1	\$44.20
5	LS250	1½"-2" 50 Mesh Screen	1	\$44.20
5	LS280	1½"-2" 80 Mesh Screen	1	\$44.20
5	LS2100	1½"-2" 100 Mesh Screen	1	\$44.20
5	LS2120	1½"-2" 120 Mesh Screen	1	\$44.20
5	LS2150	1½"-2" 150 Mesh Screen	1	\$49.12
5	LS212P	1½"-2" 12 Mesh All Poly Screen	1	\$44.20
5	LS220P	1½"-2" 20 Mesh All Poly Screen	1	\$44.20
5	LS250P	1½"-2" 50 Mesh All Poly Screen	1	\$44.20
6	LS150-B	1½" Y Body	1	\$39.41
6	LS200-B	2" Y Body	1	\$39.41
7	LS141G	1½"-2" EPDM O-Ring	1	\$3.51
N/S	LS150B/C	1½" Y Body, Cap & Gasket	1	\$39.89
N/S	LS200B/C	2" Y Body, Cap & Gasket	1	\$39.89

NOTE: Items marked with asterisk* come with parts 1, 3, and 4.



SCREENS	
MESH SIZE	RIB COLOR
6 MESH	WHITE
12 MESH	BLACK
20 MESH	BEIGE
30 MESH	YELLOW
40 MESH	BROWN
50 MESH	RED
80 MESH	BLUE
100 MESH	GREEN
120 MESH	BLACK

STANDARD MESHES & DATA (FOR GENERAL USE ONLY)				
MESH	MICRONS	WIRE DIAMETER	OPENING	% OPEN AREA
6 Mesh	3360	.035	.132	62.7
8 Mesh	2380	.028	.097	60.2
12 Mesh	1680	.023	.060	51.8
16 Mesh	1190	.018	.044	50.7
20 Mesh	841	.016	.034	46.2
30 Mesh	595	.012	.021	40.8
40 Mesh	400	.012	.021	36.0
50 Mesh	297	.009	.011	30.3
80 Mesh	177	.0055	.007	31.4
100 Mesh	149	.0045	.005	30.3
120 Mesh	125	.0037	.0046	30.5

3" "Y" Strainers

FEATURES

- Lightweight.
- High volume.
- Constructed of glass reinforced polypropylene.
- 1/2" drain plug in bottom of cap.
- Reinforced 304 stainless steel screen.
- 3" female NPT threads.
- 75 P.S.I. maximum.*



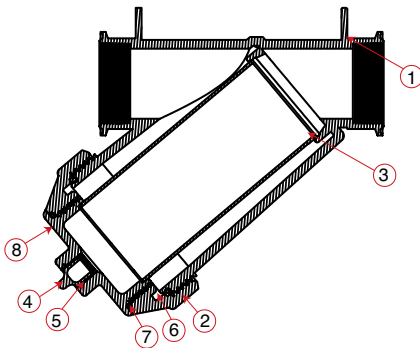
FEATURES

- EPDM gaskets standard FKM (viton type) available.
- Corrosion resistant.
- 200 P.S.I. maximum.
- Clean-out plug.
- 316 Stainless steel screens sold separately.



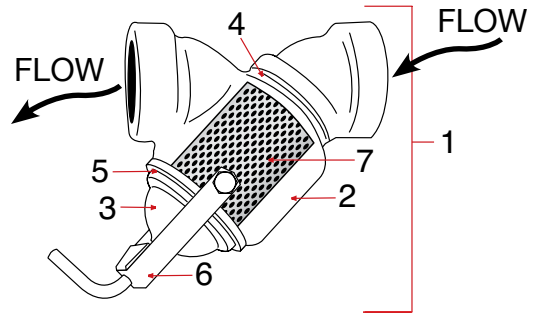
3" Y-STRAINERS			
PART NO	DESCRIPTION	QTY	PRICE
LSM300-04	3" x 3" Y Strainer w/4 Mesh Screen	2/Box	\$534.96
LSM300-08	3" x 3" Y Strainer w/8 Mesh Screen	2/Box	\$534.96
LSM300-12	3" x 3" Y Strainer w/12 Mesh Screen	2/Box	\$534.96
LSM300-20	3" x 3" Y Strainer w/20 Mesh Screen	2/Box	\$534.96
LSM300-50	3" x 3" Y Strainer w/50 Mesh Screen	2/Box	\$534.96

***WARNING: 3" Polypropylene "Y" Strainer to be used on suction side or non-pressure side in all applications.**



3" SS Y-STRAINERS			
PART NO	DESCRIPTION	QTY	PRICE
LSS300-BC	3" SS Body, Cap & Gaskets	1	\$1,155.70
LSS300-B	3" SS Body	1	\$757.59
LSS300-C	3" SS Cap	1	\$211.20
LSS300-S	EPDM Screen Seal	2	\$7.35
LSS300-SV	FKM (viton type) Screen Seal	2	\$28.20
LSS300-G	EPDM Cap Gasket	1	\$8.13
LSS300-GV	FKM (viton type) Cap Gasket	1	\$28.20
LSS300-H	Handle/Clamp Assembly	1	\$76.52

NOTE: Screens Sold Separately. See chart below.



REPLACEMENT PARTS LSM300				
ITEM	PART NO	DESCRIPTION	QTY	PRICE
1	MLS300B1	3" Poly Body	1	\$331.11
2	MLS300CAP	3" Cap	1	\$161.88
3	LS304	4 Mesh Screen	1	\$137.18
3	LS308	8 Mesh Screen	1	\$137.18
3	LS312	12 Mesh Screen	1	\$137.18
3	LS320	20 Mesh Screen	1	\$137.18
3	LS350	50 Mesh Screen	1	\$137.18
4	13777	3/4" Clean Out Plug	1	\$3.07
5	13778	EPDM O-Ring Clean Out Plug	1	\$1.94
6	MLS300G	EPDM Cap Gasket	1	\$6.34
6	MLS300GV	FKM (viton type) Cap Gasket	1	\$33.20
7	MLS300ECG	EPDM End Cap Gasket	1	\$12.76
7	MLS300ECGV	FKM (viton type) Cap Gasket	1	\$24.46
8	LS300EC	End Cap Only (Plug Sold Separately)	1	\$30.92

REPLACEMENT PARTS LSS300				
ITEM	PART NO	DESCRIPTION	QTY	PRICE
1	LSS300-BC	3" SS Body, Cap & Gaskets	1	\$1,155.70
2	LSS300-B	3" SS Body	1	\$757.59
3	LSS300-C	3" SS Cap	1	\$211.20
4	LSS300-S	EPDM Screen Seal	2	\$7.35
4	LSS300-SV	FKM (viton type) Screen Seal	2	\$28.20
5	LSS300-G	EPDM Cap Gasket	1	\$8.13
5	LSS300-GV	FKM (viton type) Cap Gasket	1	\$28.20
6	LSS300-H	Handle/Clamp Assembly	1	\$76.52
7	LSS306	6 Mesh SS Screen	1	\$97.27
7	LSS308	8 Mesh SS Screen	1	\$97.27
7	LSS312	12 Mesh SS Screen	1	\$97.27
7	LSS320	20 Mesh SS Screen	1	\$97.27
7	LSS330	30 Mesh SS Screen	1	\$97.27
7	LSS350	50 Mesh SS Screen	1	\$97.27

Self-Priming Centrifugal Pumps

1½" & 2" Poly Pumps: Pages 146-161

- Includes:
- Gas Engine Pumps
- Pump Only/Bearing Pedestal
- Wet Seal w/gas engines
- Chemical Service
- Electric Motor Driven
- Hydraulic Motor Driven



2" CI Manifold M222 Series Pumps: Pages 198-201

- Includes:
- Gas Engine Pumps
- Pump Only
- Bearing Pedestal Pumps
- Hydraulic Motor Driven



2" Poly Manifold Pumps: Pages 162-167

- Includes:
- Gas Engine Pumps
- Pump Only/Bearing Pedestal
- Super 2



3" Cast Iron Pumps: Pages 202-209

- Includes:
- Gas Engine Pumps
- Pump Only/Bearing Pedestal
- Wet Seal
- Hydraulic Motor Driven



3" Poly Pumps: Pages 168-173

- Includes:
- Gas Engine Pumps
- Pump Only/Bearing Pedestal
- Wet Seal w/gas engines
- Hydraulic Motor Driven



3" Cast Iron 333 Series Pumps: Pages 210-213

- Includes:
- Gas Engine Pumps
- Pump Only/Bearing Pedestal
- Electric Motor Driven



3" Poly Manifold Pumps: Pages 168-177

- Includes:
- Gas Engine Pumps
- Pump Only/Bearing Pedestal
- Wet Seal w/gas engines



3" CI Manifold Wet Seal M332 Series Pumps: Pages 214-217

- Includes:
- Gas Engine Pumps
- Pump Only/Bearing Pedestal
- Electric Motor Driven
- Hydraulic Motor Driven



1½"-2" Cast Iron Pumps: Pages 178-189

- Includes:
- Gas Engine Pumps
- Pump Only/Bearing Pedestal
- Wet Seal
- Electric Motor Driven
- Hydraulic Motor Driven



4" Cast Iron 444 Series Pumps: Pages 218-219

- Includes:
- Gas Engine Pumps
- Pump Only/Bearing Pedestal Pumps



2" Cast Iron 222 Series Pumps: Pages 190-197

- Includes:
- Gas Engine Pumps
- Pump Only
- Bearing Pedestal Pumps
- Hydraulic Motor Driven



2" & 3" SS Pumps: Pages 220-233

- Includes:
- Gas Engine Pumps
- Pump Only/Bearing Pedestal.
- Electric Motor Driven
- Hydraulic Motor Driven



For Engine Warranty Service Contact:



Briggs and Stratton: (414) 259-5262 or www.briggsandstratton.com



Honda: (800) 426-7701 or www.honda.com

NOTE: Prices listed are suggested retail price only. Please contact your local distributor for pricing.

1½" Polypropylene Pumps w/Gas Engines

MOTOR FEATURES

- Cast iron cylinder sleeve.
- Heavy duty flywheel.
- Overhead valve.
- High oil fill
- Oil Guard® low oil sensor.
- Breather through air cleaner.

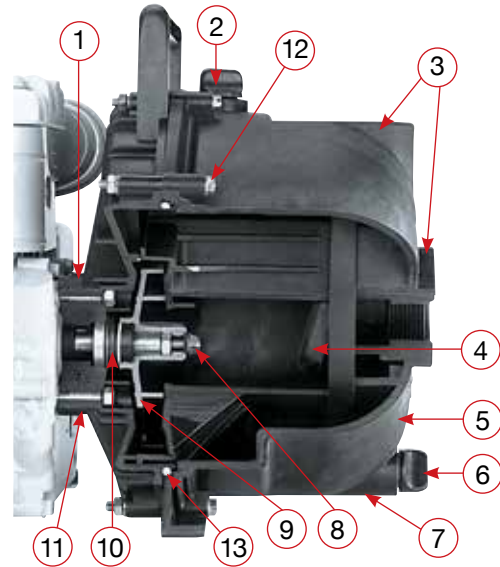
PUMP FEATURES

- Precision molded construction.
- Lightweight.
- Corrosion resistant.
- Superior design.
- Low maintenance.
- EPDM Standard, FKM (viton type) available.

CAUTION-WARNING: Please do not run pump dry, restrict or reduce port sizes, or dead head pump. This could cause component failure to pump.

DO NOT USE WITH FLAMMABLE LIQUIDS.

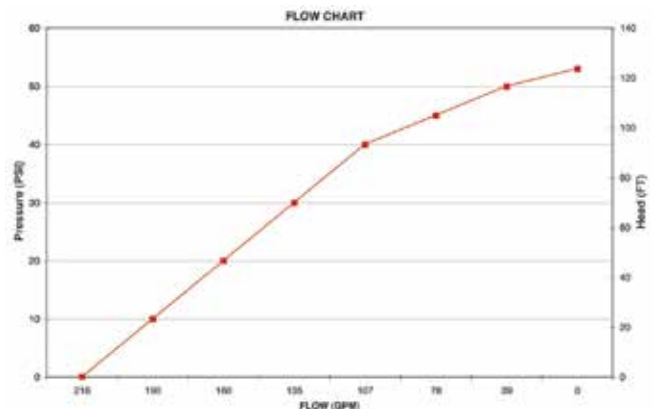
NOTE: Engine warranty service available at authorized Briggs & Stratton and Honda dealers.

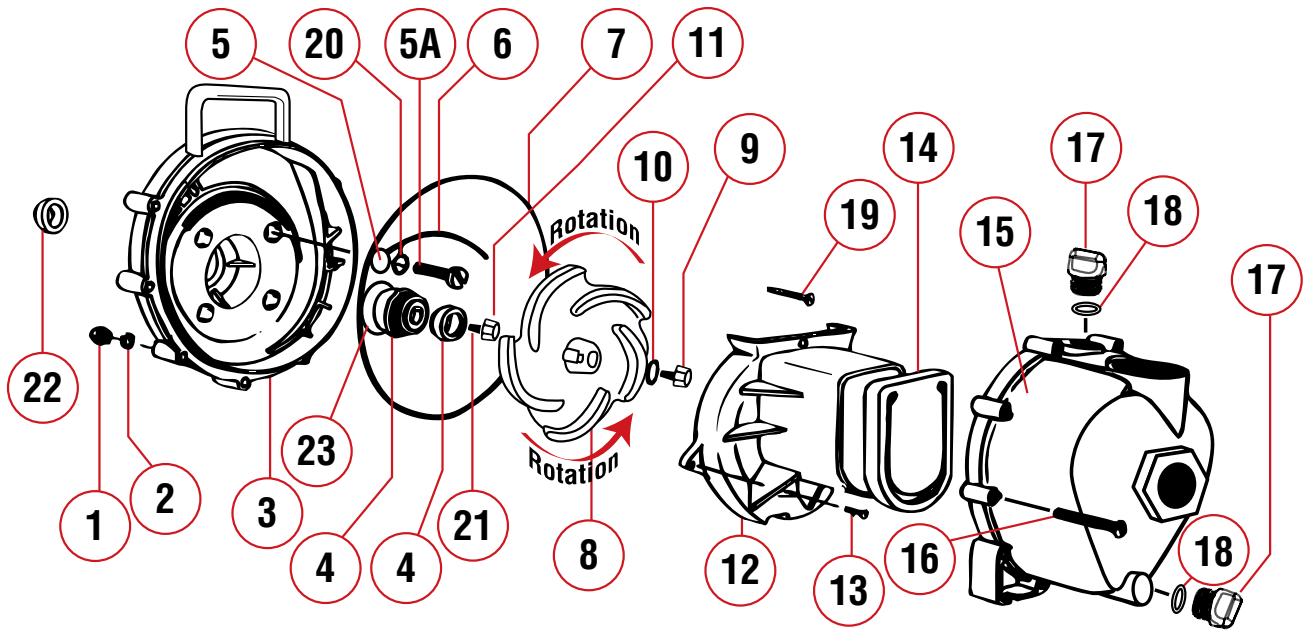


1. Maximum engine protection - pump end is separated from engine
2. Large prime plug thumb screw
3. 1½" & 2" ports
4. Check valve
5. "V" shaped body for quicker priming
6. Large drain plug thumb screw
7. High strength glass-filled polypropylene construction
8. Impeller bolt easily removable
9. High performance precision molded impellers
10. Mechanical shaft seal (available in 3 materials)
11. Large weep holes
12. All stainless steel hardware
13. Heavy duty body O-ring



1½" POLY PUMP W/GAS ENGINE				
PART NO	DESCRIPTION	HP	QTY	PRICE
150P-3	1½" Poly Pump w/3.5 HP Briggs & Stratton® Engine	3.5	1	\$946.88





REPLACEMENT PARTS 1 1/2" POLY PUMPS				
ITEM	PART NO	DESCRIPTION	QTY	PRICE
1	V07019	SS Body Nuts	10	\$0.44
2	V07018	SS Lock Washers	10	\$0.44
3	12703A	Poly Pump Rear Bracket	1	\$91.19
4	12713*	Seal Assembly	1	\$45.63
5	12717*	O-Ring for Screw Head	4	\$0.68
5A	12715A*	SS Bracket Screws	4	\$3.84
6	12754*	O-Ring Segment	1	\$5.36
7	12719A*	Body O-Ring	1	\$13.80
8	12771A*	3 Vane Impeller	1	\$43.69
9	12765A	SS Impeller Bolt	1	\$17.26
10	12774VA*	Impeller Bolt Gasket	1	\$1.45
11	12775A	Impeller Hex Nut	1	\$13.80
12	12702A	Poly Pump Volute	1	\$67.14
13	12725	SS Volute Screws	2	\$3.44

REPLACEMENT PARTS 1 1/2" POLY PUMPS				
ITEM	PART NO	DESCRIPTION	QTY	PRICE
14	12705*	Check Valve	1	\$15.77
15	12711A	Body Assembly	1	\$147.17
16	12720	SS Body Screws	10	\$3.44
17	12777	Prime/Drain Plug	2	\$2.33
18	UV15163*	Prime/Drain Plug O-Ring	2	\$0.46
19	12900	SS Upper Volute Screw	1	\$1.53
20	12901	SS Rear Bracket Washer	4	\$0.46
21	12902A	Impeller Key	1	\$1.61
22	12716*	Poly Pump Slinger	1	\$5.36
23	12710*	O-Ring for Seal Assembly	1	\$3.37
N/S	12882A	Bearing Pedestal	1	\$222.27
N/S	12099*	7/16"-14 x 1.25" HHCS	1	\$3.07
N/S	12003A	3 Vane Impeller Repair Kit (Items 4-8, 10, 14, 18, 22, 23 & 12099)	1	\$130.28
N/S	12999A	Pump Seal/O-Ring Kit (Items 4-7, 10, 18, 22, 23 & 12099)	1	\$73.57

See page 148 & 152 for complete pumps equipped with FKM (viton type) elastomers.

1½" Polypropylene Pedestal Pumps (for Electric Motors) & Pump Onlys (for Gasoline Engines)

PUMP FEATURES

- Precision molded construction.
- Lightweight.
- Corrosion resistant.
- Superior design.
- Low maintenance.
- EPDM Standard, FKM (viton type) available.

PEDESTAL PUMP FEATURES

With the addition of the Banjo bearing pedestal, the pump is easily adaptable to electric power. A flexible shaft coupling is used between motor and pump shaft. Pump and motor assembly is mounted on a metal base.

CAUTION-WARNING: Please do not run pump dry, restrict or reduce port sizes, or dead head pump. This could cause component failure to pump.

DO NOT USE WITH FLAMMABLE LIQUIDS.

NOTE: Engine warranty service available at authorized Briggs & Stratton and Honda dealers.



1½" POLY PUMPS W/FKM & SS SEALS				
PART NO	DESCRIPTION	HP	QTY	PRICE
150P-3-V	1½" Poly Pump w/3.5 HP Briggs & Stratton® Engine w/FKM (viton type) & 316 SS Seal	3.5	1	\$1,240.14

1½" POLY BEARING PEDESTAL				
PART NO	DESCRIPTION	HP	QTY	PRICE
150PB	1½" Poly Bearing Pedestal w/ ¾" Shaft & 3 Vane Impeller	N/A	1	\$659.44

1½" POLY BEARING PEDESTAL W/FKM & SS SEALS				
PART NO	DESCRIPTION	HP	QTY	PRICE
150PB-V	1½" Poly Bearing Pedestal w/ ¾" Shaft & 3 Vane Impeller w/FKM (viton type) & 316 SS Seal	N/A	1	\$948.35

1½" POLY PUMP ONLY				
PART NO	DESCRIPTION	HP	QTY	PRICE
150PO	1½" Poly Pump Only* w/ 3 Vane Impeller	N/A	1	\$372.48

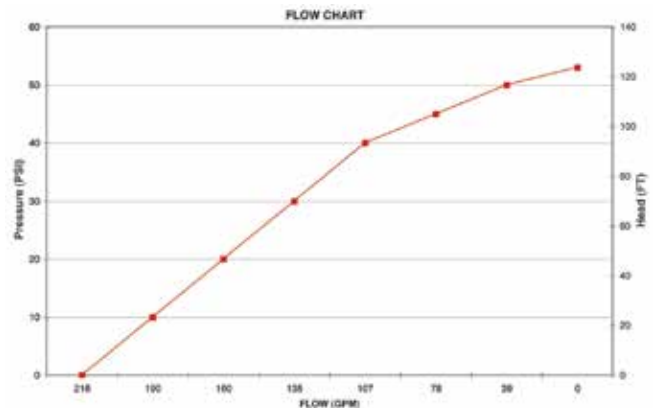
*Requires ¾" shaft on motor.

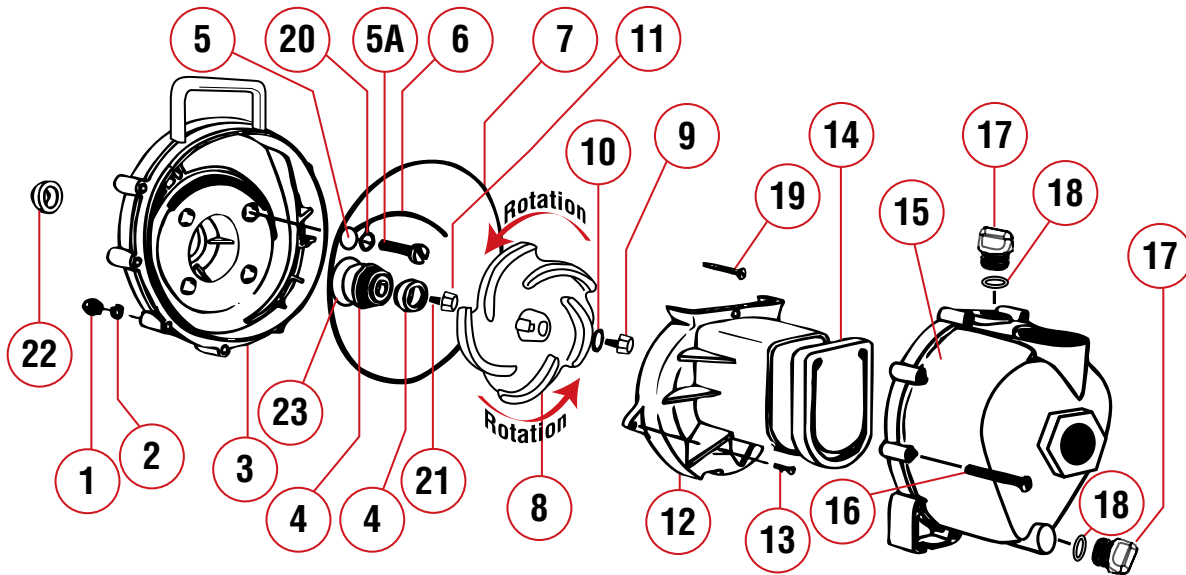
1½" POLY PUMP ONLY W/FKM & SS SEALS				
PART NO	DESCRIPTION	HP	QTY	PRICE
150PO-V	1½" Poly Pump Only* w/ 3 Vane Impeller w/FKM (viton type) & 316 SS Seal	N/A	1	\$700.32

*Requires ¾" shaft on motor.

BUNA PUMPS

NOTE: Pumps equipped with Buna Rubber, please use regular EPDM pump prices. Add BN to the end of each part number.





REPLACEMENT PARTS 1 1/2" POLY PUMPS				
ITEM	PART NO	DESCRIPTION	QTY	PRICE
1	V07019	SS Body Nuts	10	\$0.44
2	V07018	SS Lock Washers	10	\$0.44
3	12703A	Poly Pump Rear Bracket	1	\$91.19
4	12713*	Seal Assembly	1	\$45.63
4	12713V	FKM (viton type) Seal Assembly w/316 SS Cup & Spring	1	\$73.57
5	12717*	O-Ring for Screw Head	4	\$0.68
5	12717V	FKM (viton type) O-Ring for Screw Head	4	\$1.06
5A	12715A*	SS Bracket Screws	4	\$3.84
6	12754*	O-Ring Segment	1	\$5.36
6	12754V	FKM (viton type) O-Ring Segment	1	\$9.28
7	12719A*	Body O-Ring	1	\$13.80
7	12719AV	FKM (viton type) Body O-Ring	1	\$63.61
8	12771A*	3 Vane Impeller	1	\$43.69
9	12765A	SS Impeller Bolt	1	\$17.26
10	12774VA*	Impeller Bolt Gasket	1	\$1.45
11	12775A	Impeller Hex Nut	1	\$13.80
12	12702A	Poly Pump Volute	1	\$67.14
13	12725	SS Volute Screws	2	\$3.44

REPLACEMENT PARTS 1 1/2" POLY PUMPS				
ITEM	PART NO	DESCRIPTION	QTY	PRICE
14	12705*	Check Valve	1	\$15.77
14	12705V*	FKM (viton type) Pump Check Valve	1	\$111.13
15	12711A	Body Assembly	1	\$147.17
16	12720	SS Body Screws	10	\$3.44
17	12777	Prime/Drain Plug	2	\$2.33
18	UV15163*	Prime/Drain Plug O-Ring	2	\$0.46
18	UV15163V	FKM (viton type) Prime/Drain Plug O-Ring	2	\$3.32
19	12900	SS Upper Volute Screw	1	\$1.53
20	12901	SS Rear Bracket Washer	4	\$0.46
21	12902A	Impeller Key	1	\$1.61
22	12716*	Poly Pump Slinger	1	\$5.36
23	12710*	O-Ring for Seal Assembly	1	\$3.37
23	12710V	FKM (viton type) O-Ring for Seal Assembly	1	\$9.98
N/S	12882A	Bearing Pedestal	1	\$222.27
N/S	12099*	7/16"-14 x 1.25" HHCS	1	\$3.07
N/S	12003A	3 Vane Impeller Repair Kit (Items 4-8, 10, 14, 18, 22, 23 & 12099)	1	\$130.28
N/S	12999A	Pump Seal/O-Ring Kit (Items 4-7, 10, 18, 22, 23 & 12099)	1	\$73.57
N/S	12999AV	FKM(viton type) Pump Seal/O-Ring Kit (Items 4-7, 10, 18, 22, 23 & 12099)	1	\$117.88

2" Polypropylene Pumps w/Gas Engines

PUMP FEATURES

- Precision molded construction.
- Lightweight.
- Corrosion resistant.
- Superior design.
- Low maintenance.
- EPDM Standard, FKM (viton type) available.

MOTOR FEATURES

- Cast iron cylinder sleeve.
- Heavy duty flywheel.
- Overhead valve.
- High oil fill
- Oil Guard® low oil sensor.
- Breather through air cleaner.

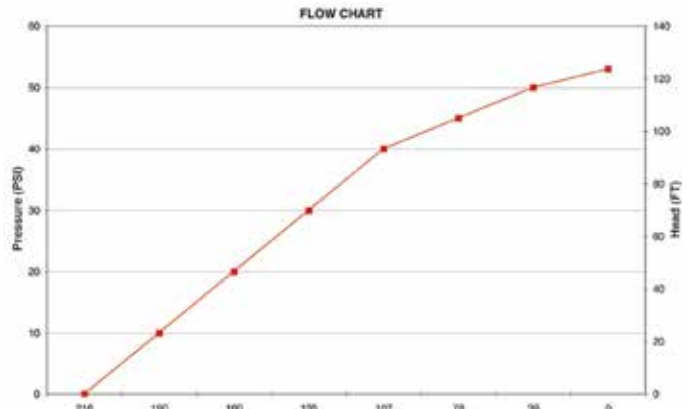


CAUTION-WARNING: Please do not run pump dry, restrict or reduce port sizes, or dead head pump. This could cause component failure to pump.

DO NOT USE WITH FLAMMABLE LIQUIDS.

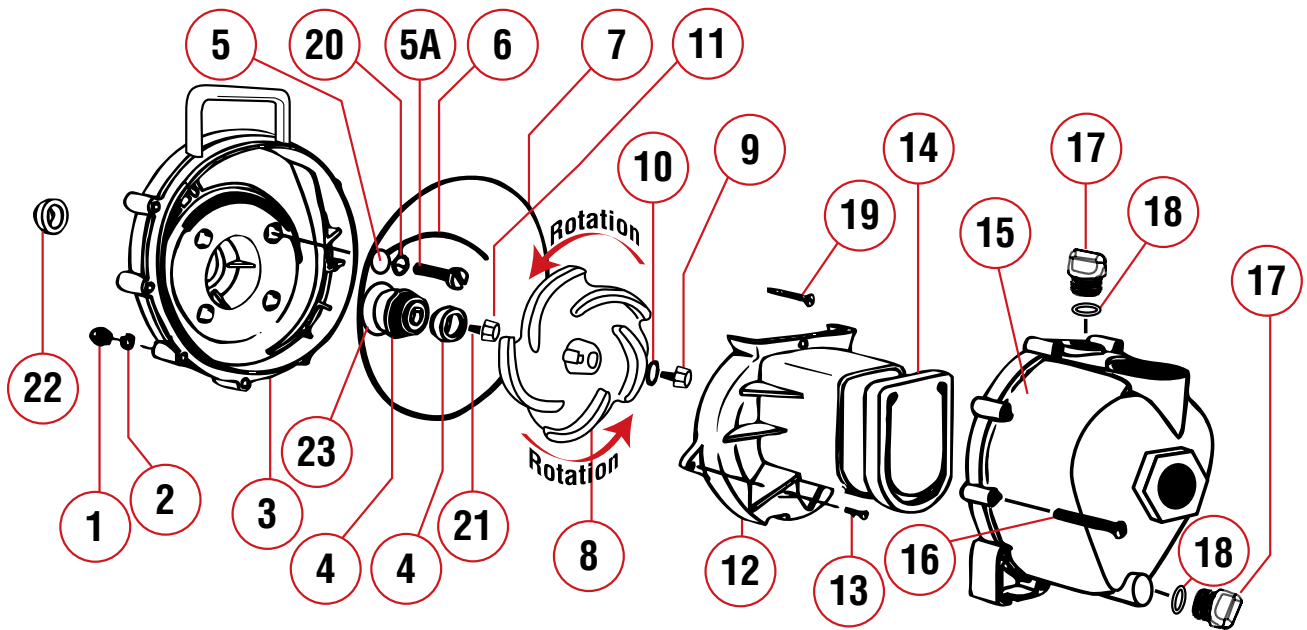
NOTE: Engine warranty service available at authorized Briggs & Stratton and Honda dealers.

2" POLY PUMPS W/GAS ENGINES				
PART NO	DESCRIPTION	HP	QTY	PRICE
200P-3	2" Poly Pump w/3.5 HP Briggs & Stratton® Engine	3.5	1	\$946.88
200PH-5	2" Poly Pump w/5.5 HP Honda® Engine	5.5	1	\$1,920.60
200PH-5E	2" Poly Pump w/5.5 HP Honda® Engine w/Electric Start	5.5	1	\$2,473.50
200PH6	2" Poly Pump w/6.5 HP Honda® Engine	6.5	1	\$2,253.32
200P6PRO	2" Poly Pump w/6.5 HP Briggs & Stratton® Engine Pro Series	6.5	1	\$1,040.40



PUMPS





REPLACEMENT PARTS 2" POLY PUMPS				
ITEM	PART NO	DESCRIPTION	QTY	PRICE
1	V07019	SS Body Nuts	10	\$0.44
2	V07018	SS Lock Washers	10	\$0.44
3	12703A	Poly Pump Rear Bracket	1	\$91.19
4	12713*	Seal Assembly	1	\$45.63
5	12717*	O-Ring for Screw Head	4	\$0.68
5A	12715A*	SS Bracket Screws	4	\$3.84
6	12754*	O-Ring Segment	1	\$5.36
7	12719A*	Body O-Ring	1	\$13.80
8	12772*	5 Vane Impeller	1	\$43.69
9	12765A	SS Impeller Bolt	1	\$17.26
10	12774VA*	Impeller Bolt Gasket	1	\$1.45
11	12775A	Impeller Hex Nut	1	\$13.80
12	12702A	Poly Pump Volute	1	\$67.14
13	12725	SS Volute Screws	2	\$3.44

REPLACEMENT PARTS 2" POLY PUMPS				
ITEM	PART NO	DESCRIPTION	QTY	PRICE
14	12705*	Poly Pump Check Valve	1	\$15.77
15	12712A	Body Assembly	1	\$147.17
16	12720	SS Body Screws	10	\$3.44
17	12777	Prime/Drain Plug	2	\$2.33
18	UV15163*	Prime/Drain Plug O-Ring	2	\$0.46
19	12900	SS Upper Volute Screw	1	\$1.53
20	12901	SS Rear Bracket Washer	4	\$0.46
21	12902A	Impeller Key	1	\$1.61
22	12716*	Poly Pump Slinger	1	\$5.36
23	12710*	O-Ring for Seal Assembly	1	\$3.37
N/S	12882A	Bearing Pedestal	1	\$222.27
N/S	12099*	7/16"-14 x 1.25" HHCS	1	\$3.07
N/S	12000A	5 Vane Impeller Repair Kit (Items 4-8, 10, 14, 18, 22, 23 & 12099)	1	\$130.28
N/S	12999A	Pump Seal/O-Ring Kit (Items 4-7, 10, 18, 22, 23 & 12099)	1	\$73.57

See page 148 & 152 for complete pumps equipped with FKM (viton type) elastomers.

2" Polypropylene Pedestal Pumps (for Electric Motors) & Pump Onlys (for Gasoline Engines)

PUMP FEATURES

- Precision molded construction.
- Lightweight.
- Corrosion resistant.
- Superior design.
- Low maintenance.
- EPDM Standard, FKM (viton type) available.

PEDESTAL PUMP FEATURES

With the addition of the Banjo bearing pedestal, the pump is easily adaptable to electric power. A flexible shaft coupling is used between motor and pump shaft. Pump and motor assembly is mounted on a metal base.

CAUTION-WARNING: Please do not run pump dry, restrict or reduce port sizes, or dead head pump. This could cause component failure to pump.

DO NOT USE WITH FLAMMABLE LIQUIDS.

NOTE: Engine warranty service available at authorized Briggs & Stratton and Honda dealers.



2" POLY PUMPS W/FKM & SS SEALS				
PART NO	DESCRIPTION	HP	QTY	PRICE
200P-3-V	2" Poly Pump w/3.5 HP Briggs & Stratton® Engine w/FKM (viton type) & 316 SS Seal	3.5	1	\$1,240.14
200P6PROV	2" Poly Pump w/6.5 HP Briggs & Stratton® Engine Pro Series w/FKM (viton type) & 316 SS Seal	6.5	1	\$1,357.62
200PH-5V	2" Poly Pump w/5.5 HP Honda® Engine w/FKM (viton type) & 316 SS Seal	5.5	1	\$2,252.67

2" POLY BEARING PEDESTAL				
PART NO	DESCRIPTION	HP	QTY	PRICE
200PB	2" Poly Bearing Pedestal w/ 3/4" Shaft & 3 Vane Impeller	N/A	1	\$659.44
205PB	2" Poly Bearing Pedestal w/ 3/4" Shaft & 5 Vane Impeller	N/A	1	\$659.44

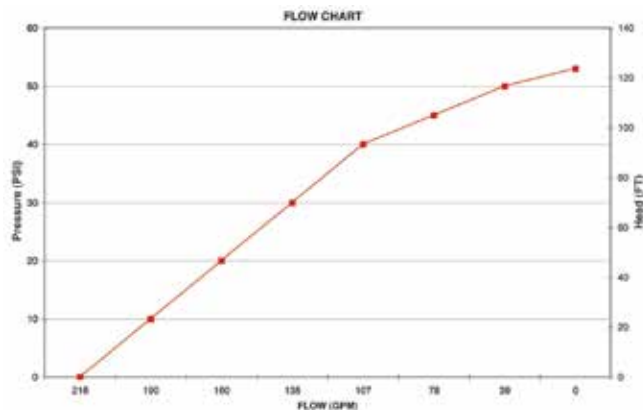
2" POLY BEARING PEDESTAL W/FKM & SS SEALS				
PART NO	DESCRIPTION	HP	QTY	PRICE
200PB-V	2" Poly Bearing Pedestal w/ 3/4" Shaft & 3 Vane Impeller w/FKM (viton type) & 316 SS Seal	N/A	1	\$948.35
205PB-V	2" Poly Bearing Pedestal w/ 3/4" Shaft & 5 Vane Impeller w/FKM (viton type) & 316 SS Seal	N/A	1	\$948.35

2" POLY PUMP ONLY				
PART NO	DESCRIPTION	HP	QTY	PRICE
200PO	2" Poly Pump Only* w/ 3 Vane Impeller	N/A	1	\$372.48
205PO	2" Poly Pump Only* w/ 5 Vane Impeller	N/A	1	\$372.48

*Requires 3/4" shaft on motor.

2" POLY PUMP ONLY W/FKM & SS SEALS				
PART NO	DESCRIPTION	HP	QTY	PRICE
200PO-V	2" Poly Pump Only* w/ 3 Vane Impeller w/FKM (viton type) & 316 SS Seal	N/A	1	\$700.32
205PO-V	2" Poly Pump Only* w/ 5 Vane Impeller w/FKM (viton type) & 316 SS Seal	N/A	1	\$700.32

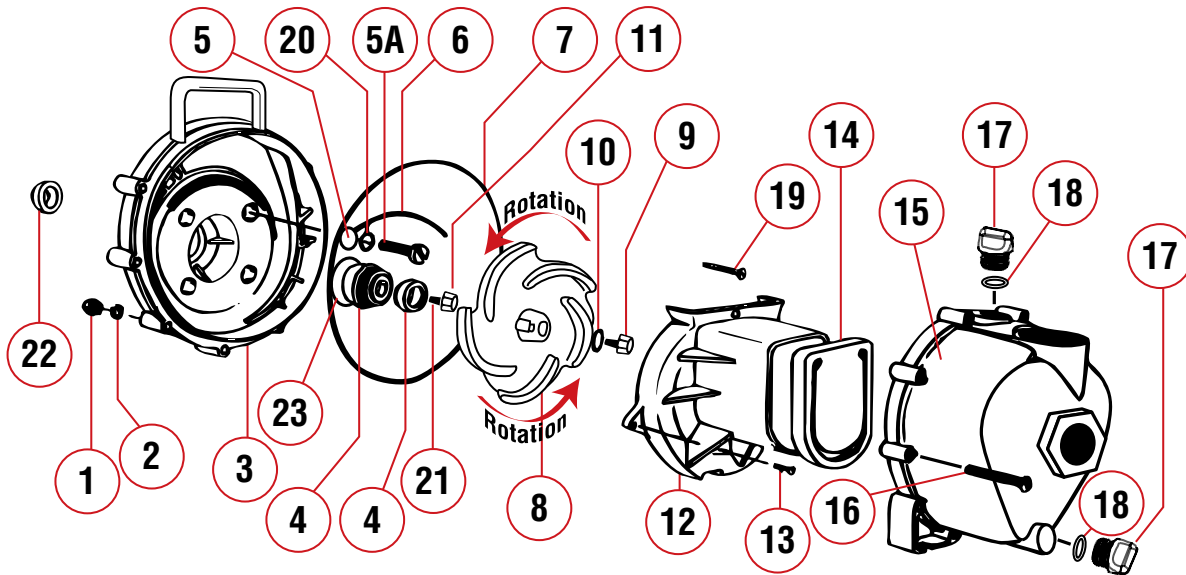
*Requires 3/4" shaft on motor.



BUNA PUMPS

NOTE: Pumps equipped with Buna Rubber, please use regular EPDM pump prices. Add BN to the end of each part number.





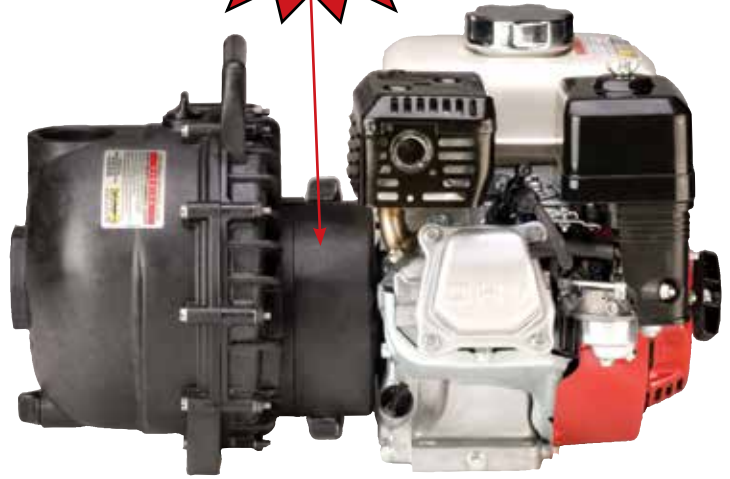
REPLACEMENT PARTS 2" POLY PUMPS				
ITEM	PART NO	DESCRIPTION	QTY	PRICE
1	V07019	SS Body Nuts	10	\$0.44
2	V07018	SS Lock Washers	10	\$0.44
3	12703A	Poly Pump Rear Bracket	1	\$91.19
4	12713*	Seal Assembly	1	\$45.63
4	12713V	FKM (viton type) Seal Assembly w/316 SS Cup & Spring	1	\$73.57
5	12717*	O-Ring for Screw Head	4	\$0.68
5	12717V	FKM (viton type) O-Ring for Screw Head	4	\$1.06
5A	12715A*	SS Bracket Screws	4	\$3.84
6	12754*	O-Ring Segment	1	\$5.36
6	12754V	FKM (viton type) O-Ring Segment	1	\$9.28
7	12719A*	Body O-Ring	1	\$13.80
7	12719AV	FKM (viton type) Body O-Ring	1	\$63.61
8	12771A*	3 Vane Impeller	1	\$43.69
8	12772*	5 Vane Impeller	1	\$43.69
9	12765A	SS Impeller Bolt	1	\$17.26
10	12774VA*	Impeller Bolt Gasket	1	\$1.45
11	12775A	Impeller Hex Nut	1	\$13.80
12	12702A	Poly Pump Volute	1	\$67.14
13	12725	SS Volute Screws	2	\$3.44

REPLACEMENT PARTS 2" POLY PUMPS				
ITEM	PART NO	DESCRIPTION	QTY	PRICE
14	12705*	Check Valve	1	\$15.77
14	12705V	FKM (viton type) Pump Check Valve	1	\$111.13
15	12712A	Body Assembly	1	\$147.17
16	12720	SS Body Screws	10	\$3.44
17	12777	Prime/Drain Plug	2	\$2.33
18	UV15163*	Prime/Drain Plug O-Ring	2	\$0.46
18	UV15163V	FKM (viton type) Prime/Drain Plug O-Ring	2	\$3.32
19	12900	SS Upper Volute Screw	1	\$1.53
20	12901	SS Rear Bracket Washer	4	\$0.46
21	12902A	Impeller Key	1	\$1.61
22	12716*	Poly Pump Slinger	1	\$5.36
23	12710*	O-Ring for Seal Assembly	1	\$3.37
23	12710V	FKM (viton type) O-Ring for Seal Assembly	1	\$9.98
N/S	12882A	Bearing Pedestal	1	\$222.27
N/S	12099*	7/16"-14 x 1.25" HHCS	1	\$3.07
N/S	12003A	3 Vane Impeller Repair Kit (Items 4-8, 10, 14, 18, 22, 23 & 12099)	1	\$130.28
N/S	12000A	5 Vane Impeller Repair Kit (Items 4-8, 10, 14, 18, 22, 23 & 12099)	1	\$130.28
N/S	12000AV	FKM(viton type) Impeller Repair Kit (Items 4-8, 10, 14, 18, 22, 23 & 12099)	1	\$245.25
N/S	12999A	Pump Seal/O-Ring Kit (Items 4-7, 10, 18, 22, 23 & 12099)	1	\$73.57
N/S	12999AV	FKM(viton type) Pump Seal/O-Ring Kit (Items 4-7, 10, 18, 22, 23 & 12099)	1	\$117.88

2" Polypropylene Wet Seal Pumps

FEATURES

- New Compact Design!
- Run Dry Capability!
- Double seal contained in ethylene glycol reservoir. Carbon Ceramic seal faces with stainless steel cup & spring with EPDM rubber.
- Pump end separated from engine.
- Large weep holes between pump end and engine.
- "V" shaped for quicker priming.



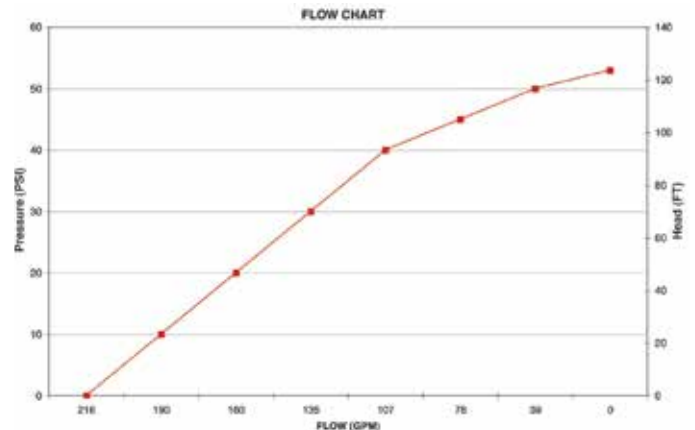
2" POLY WET SEAL PUMPS W/GAS ENGINES				
PART NO	DESCRIPTION	HP	QTY	PRICE
200PH5W	2" Poly Wet Seal Pump w/5.5 HP Honda® Engine	5.5	1	\$2,231.62
200P6PROW	2" Poly Wet Seal Pump w/6.5 HP Briggs & Stratton® Engine Pro Series	6.5	1	\$1,337.85

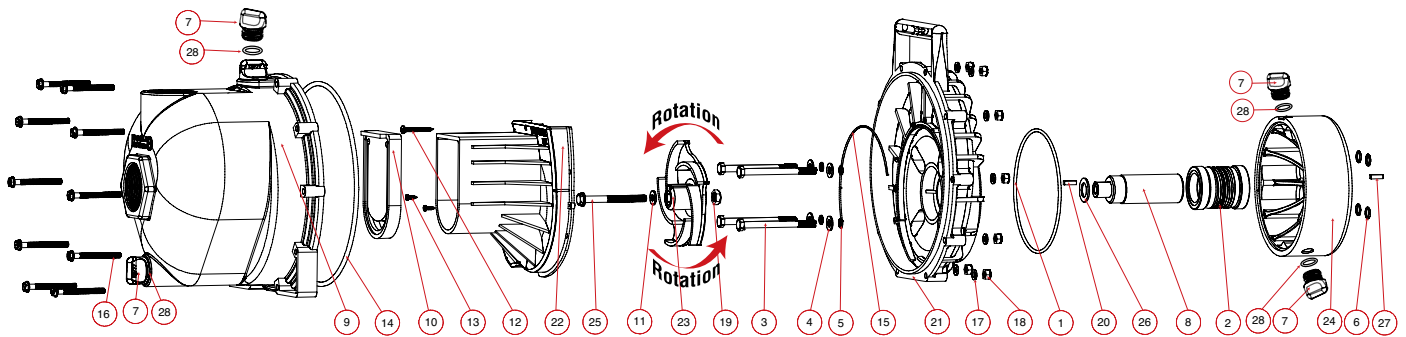
2" POLY WET SEAL BEARING PEDESTAL				
PART NO	DESCRIPTION	HP	QTY	PRICE
200PBW	2" Poly Wet Seal Bearing Pedestal w/ 3/4" Shaft & 5 Vane Impeller	N/A	1	\$985.23



Bearing Pedestal
3/4" shaft for electric motors

DO NOT USE WITH FLAMMABLE LIQUIDS.





REPLACEMENT PARTS 2" POLY WET SEAL PUMPS				
ITEM	PART NO	DESCRIPTION	QTY	PRICE
1	13719	O-Ring	1	\$2.74
2	15035E	EPDM Mechanical Seal Assembly	1	\$231.11
3	12034	5/16" -24 x 3 3/4" HHCS	4	\$8.86
4	12901	5/16" Flat Washer	4	\$0.46
5	12717	O-Ring for Bracket Screw	4	\$0.68
6	12709	O-Ring	4	\$0.72
7	12777	Drain Plug	4	\$2.33
8	12155	Adapter Shaft	1	\$134.52
9	12712A	Body Assembly	1	\$147.17
10	12705	Check Valve	1	\$15.77
11	12774VA	Impeller Bolt Gasket	1	\$1.45
12	12900	#10 x 1 1/2" PPH SMS	1	\$1.53
13	12725	#6 x 1/2" PPH SMS	2	\$3.44
14	12719A	Body O-Ring	1	\$13.80

REPLACEMENT PARTS 2" POLY WET SEAL PUMPS				
ITEM	PART NO	DESCRIPTION	QTY	PRICE
15	12754	O-Ring Segment	1	\$5.36
16	12720	1/4" - 20 x 2 1/2" SI Ind HWHS	10	\$3.44
17	V07018	1/4" Lock Washer	10	\$0.44
18	V07019	1/4" - 20 Hex Nut	10	\$0.44
19	12775A	7/16" - 14 Hex Nut	1	\$13.80
20	12902A	3/16" SQ. x 5/8" Key	2	\$1.61
21	12707W	Wet Seal Rear Bracket	1	\$72.15
22	12702A	Volute	1	\$67.14
23	12772	Impeller	1	\$43.69
24	12202W	Wet Seal Reservoir	1	\$84.37
25	12766	5/16" - 24 x 3 1/4" HFS	1	\$6.73
26	CV10175	Gasket	1	\$1.36
27	16901	1/4" SQ. 3/4" Key Stock	1	\$3.20
28	UV15163	O-Ring for Drain Plug	4	\$0.46

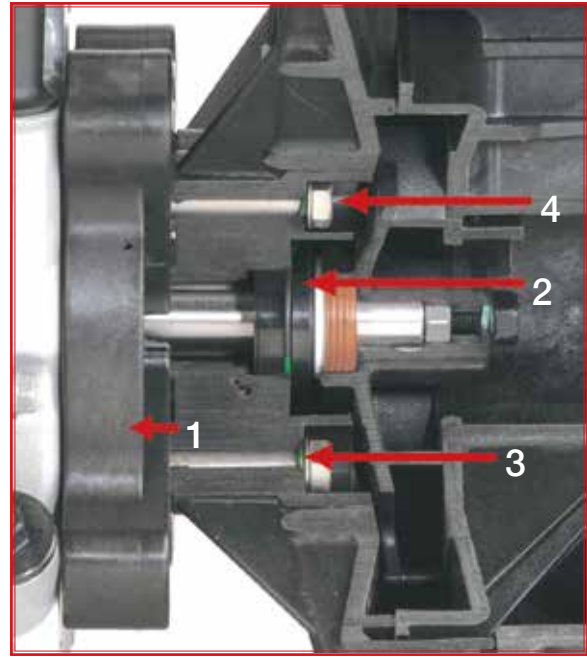
2" Polypropylene Chemical Service Pumps

FEATURES

1. Additional drive unit protection with added 1" spacer for ultimate protection.
2. Special non-metallic mechanical seal designed for better chemical resistance.
3. All elastomers are FKM (viton type).
4. All internal fasteners are TFE coated stainless steel.
5. The Banjo "Super Slinger" included for even more drive unit protection (not shown).



234PPE5VA



No warranty on chemical service pumps.



200P6PROVA

2" POLY CHEMICAL SERVICE PUMPS

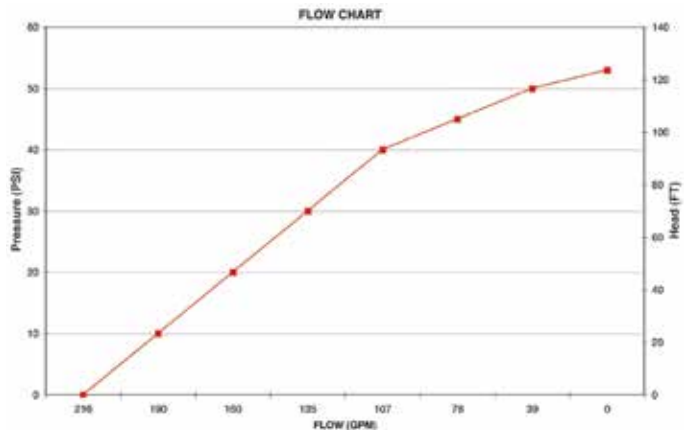
PART NO	DESCRIPTION	HP	QTY	PRICE
200PH5VA	2" Poly Chemical Service Pump w/5.5 HP Honda® Engine	5.5	1	\$2,468.93
200P6PROVA	2" Poly Chemical Service Pump w/6.5 HP Briggs & Stratton® Engine Pro Series	6.5	1	\$1,610.71
234PPE5VA	2" Poly Chemical Service Pump w/5.0 HP Three Phase Electric Motor	5.0	1	\$3,420.43
234PPE51VA	2" Poly Chemical Service Pump w/5.0 HP Single Phase Electric Motor	5.0	1	\$3,697.63

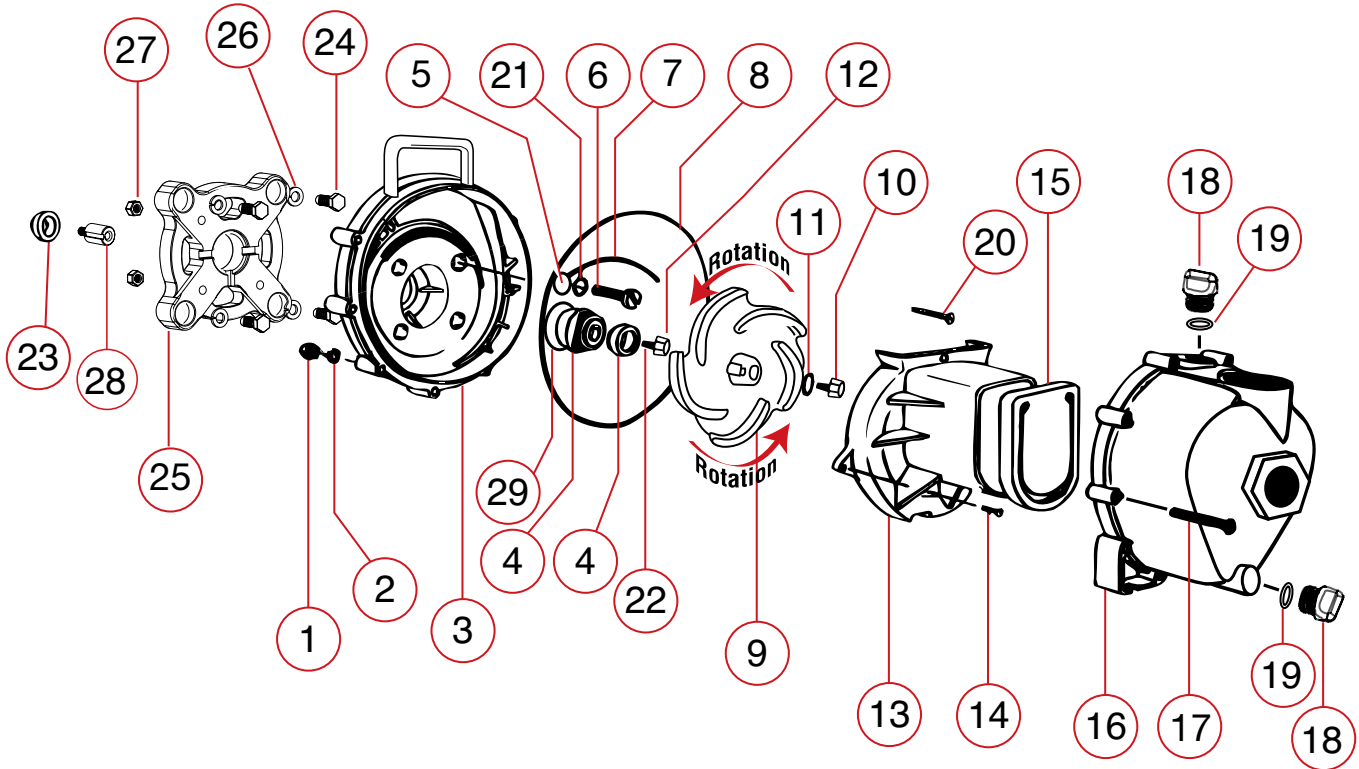
2" POLY CHEMICAL SERVICE BEARING PEDESTALS

PART NO	DESCRIPTION	HP	QTY	PRICE
200PB-VA	2" Poly Chemical Service Bearing Pedestal w/ 3/4" Shaft & 3 Vane Impeller	N/A	1	\$1,116.12
205PB-VA	2" Poly Chemical Service Bearing Pedestal w/ 3/4" Shaft & 5 Vane Impeller	N/A	1	\$1,116.12

CAUTION-WARNING: Please do not run pump dry, restrict or reduce port sizes, or dead head pump. This could cause component failure to pump.

DO NOT USE WITH FLAMMABLE LIQUIDS.





SELF-PRIMING CENTRIFUGAL PUMPS

REPLACEMENT PARTS 2" POLY CHEMICAL SERVICE PUMPS				
ITEM	PART NO	DESCRIPTION	QTY	PRICE
1	V07019	SS Body Nuts	10	\$0.44
2	V07018	SS Lock Washers	10	\$0.44
3	12703A	Poly Pump Rear Bracket	1	\$91.19
4	12729VA*	Seal Assembly	1	\$332.63
5	12717V*	Screw Heads O-Ring	4	\$1.06
6	12715AT*	SS Bracket Screws	4	\$13.15
7	12754V*	O-Ring Segment	1	\$9.28
8	12719AV*	Body O-Ring	1	\$63.61
9	12771A*	3 Vane Impeller	1	\$43.69
9	12772*	5 Vane Impeller	1	\$43.69
10	12765AT*	SS Impeller Bolt	1	\$22.99
11	12774VA*	Impeller Bolt Gasket	1	\$1.45
12	12775A	Impeller Hex Nut	1	\$13.80
13	12702A	Poly Pump Volute	1	\$67.14
14	12725T*	SS Volute Screws	2	\$10.95
15	12705V*	Poly Pump Check Valve	1	\$111.13
16	12712AV	Body Assembly	1	\$132.58
17	12720	SS Body Screws	10	\$3.44

REPLACEMENT PARTS 2" POLY CHEMICAL SERVICE PUMPS				
ITEM	PART NO	DESCRIPTION	QTY	PRICE
18	12777	Prime/Drain Plug	2	\$2.33
19	UV15163V*	Prime/Drain Plug O-Ring	2	\$3.32
20	12900T*	SS Upper Volute Screw	1	\$2.14
21	12901T*	SS Rear Bracket Washer	4	\$1.96
22	12902A*	Impeller Key	1	\$1.61
23	12716*	Poly Pump Slinger	1	\$5.36
24	17704	3/8"-16 x 1.25" HHCS	8	\$3.20
25	12048	Engine Spacer	1	\$33.57
25	12046	56C Frame Adapter	1	\$30.63
26	V20018	Lock Washer for 56C Frame Adapter	8	\$0.44
27	V10119	Nut for 56C Frame Adapter	4	\$0.58
28	12051	1" Extension for 3/4" Engine Shaft	1	\$13.42
29	12710V*	O-Ring for Seal Assembly	1	\$9.98
N/S	12882A	Bearing Pedestal	1	\$222.27
N/S	12099*	7/16"-14 x 1.25" HHCS	1	\$3.07
N/S	12003VAT	3 Vane Impeller Repair Kit (Items 4-11, 14, 15, 19-23, 29 & 12099)	1	\$423.10
N/S	12005VAT	5 Vane Impeller Repair Kit (Items 4-11, 14, 15, 19-23, 29 & 12099)	1	\$434.78
N/S	12999VA	Pump Seal/O-Ring Kit (Items 4, 5, 7, 8, 11, 19, 23, 29 & 12099)	1	\$277.19
N/S	12758	Pump Engine Spacer Kit (Items 5, 25, 28, 12748SS, 12901, 15751 & 15752)	1	\$75.86



12758 - Poly Pump Engine Spacer Kit

The 12758 spacer kit includes the poly adapter, adapter shaft, and related hardware to space the pump an additional 1" away from the motor.

NOTE: Advanced installation techniques and pump shimming required with this kit.

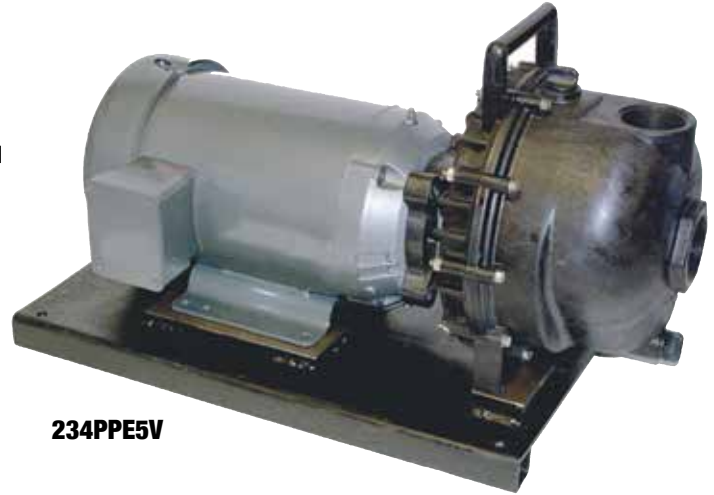
2" Polypropylene Pumps with Electric Motors

FEATURES

- Precision molded construction.
- Lightweight.
- Corrosion resistant.
- Superior design.
- Low maintenance.

• Maximum Motor Protection!

We have designed the new Banjo poly pump to protect the motor seal in the event of pump seal failure. We have separated the pump from the motor by 1" spacer and installed a special slinger/shaft seal that completely protects the engine from any corrosive fluids. This new slinger design is the best in the poly pump industry at protecting your motor.



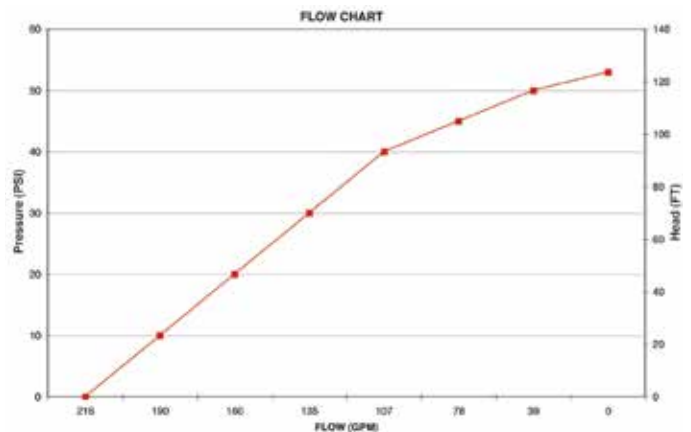
234PPE5V

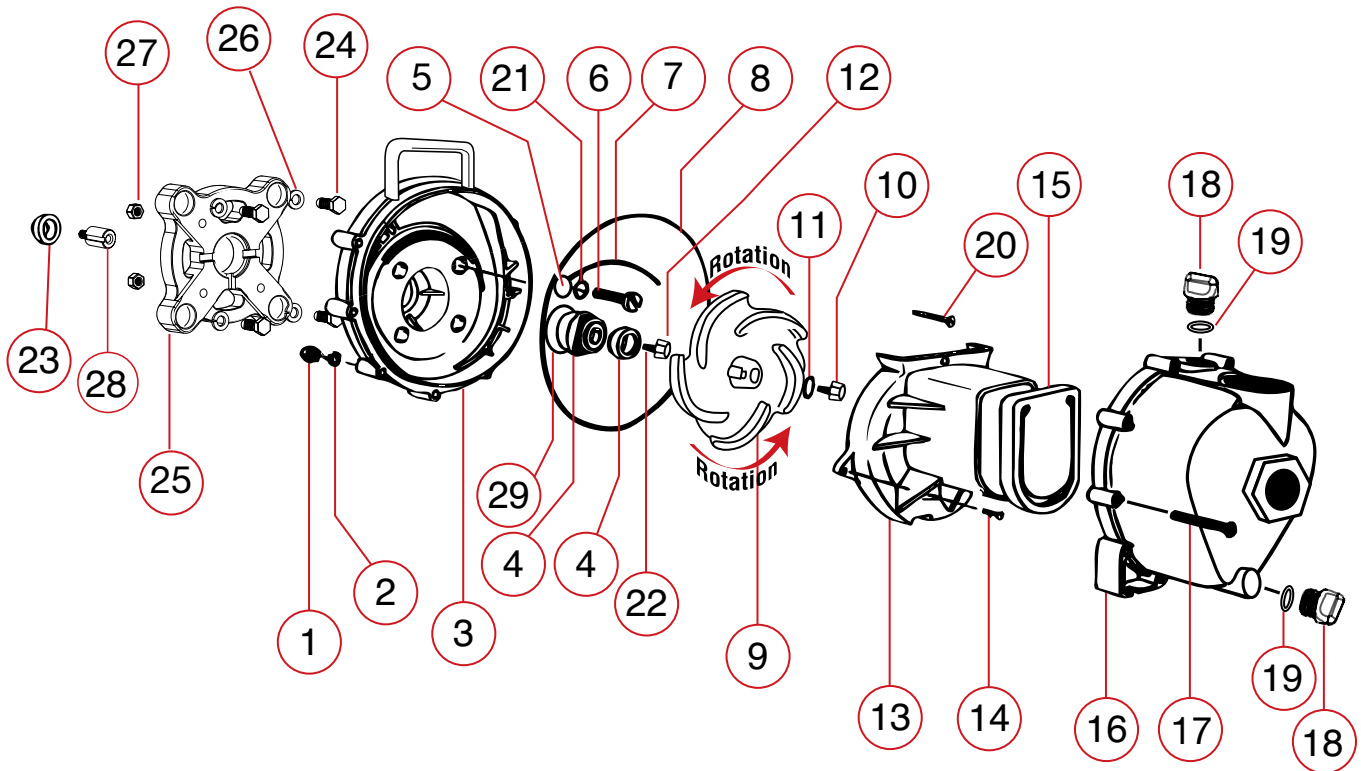
CAUTION-WARNING: Please do not run pump dry, restrict or reduce port sizes, or dead head pump. This could cause component failure to pump.

DO NOT USE WITH FLAMMABLE LIQUIDS.

2" POLY PUMPS W/ELECTRIC MOTORS				
PART NO	DESCRIPTION	HP	QTY	PRICE
234PPE5	2" Poly Pump w/5.0 HP Three Phase Electric Motor w/ EPDM Elastomers	5.0	1	\$2,626.16
234PPE5V	2" Poly Pump w/5.0 HP Three Phase Electric Motor w/FKM (viton type)Elastomers	5.0	1	\$3,001.33
234PPE51	2" Poly Pump w/5.0 HP Single Phase Electric Motor w/ EPDM Elastomers	5.0	1	\$2,903.37
234PPE51V	2" Poly Pump w/5.0 HP Single Phase Electric Motor w/FKM (viton type)Elastomers	5.0	1	\$3,318.14

1½" & 2" POLY PUMPS FOR 56C FACED MOTORS				
PART NO	DESCRIPTION	HP	QTY	PRICE
150PEO	1½" Poly Pump w/56C Face Adapter	N/A	1	\$377.40
200PEO	2" Poly Pump w/56C Face Adapter	N/A	1	\$377.40





REPLACEMENT PARTS 2" POLY PUMPS W/ELECTRIC MOTORS				
ITEM	PART NO	DESCRIPTION	QTY	PRICE
1	V07019	SS Body Nuts	10	\$0.44
2	V07018	SS Lock Washers	10	\$0.44
3	12703A	Poly Pump Rear Bracket	1	\$91.19
4	12733	Seal Assembly EPDM	1	\$45.63
4	12713V	Seal Assembly FKM (viton type)	1	\$73.57
5	12717	Screw Heads O-Ring EPDM	4	\$0.68
5	12717V	Screw Heads O-Ring FKM (viton type)	4	\$1.06
6	BF107	SS Bracket Screws	4	\$1.49
7	12754	O-Ring Segment EPDM	1	\$5.36
7	12754V	O-Ring Segment FKM (viton type)	1	\$9.28
8	12719A	Body O-Ring EPDM	1	\$13.80
8	12719AV	Body O-Ring FKM (viton type)	1	\$63.61
9	12772	5 Vane Impeller	1	\$43.69
10	12765A	SS Impeller Bolt	1	\$17.26
11	12774VA	Impeller Bolt Gasket	1	\$1.45
12	12775A	Impeller Hex Nut	1	\$13.80
13	12702A	Poly Pump Volut	1	\$67.14
14	12725	SS Volute Screws	2	\$3.44

REPLACEMENT PARTS 2" POLY PUMPS W/ELECTRIC MOTORS				
ITEM	PART NO	DESCRIPTION	QTY	PRICE
15	12705	Poly Pump Check Valve EPDM	1	\$15.77
15	12705V	Poly Pump Check Valve FKM (viton type)	1	\$111.13
16	12712A	Body Assembly EPDM	1	\$147.17
16	12712AV	Body Assembly FKM (viton type)	1	\$132.58
17	12720	SS Body Screws	10	\$3.44
18	12777	Prime/Drain Plug	2	\$2.33
19	UV15163V	Prime/Drain Plug O-Ring	2	\$3.32
20	12900	SS Upper Volute Screw	1	\$1.53
21	12901	SS Rear Bracket Washer	4	\$0.46
22	12902A	Impeller Key	1	\$1.61
23	12710V	O-Ring for Seal Assembly	1	\$9.98
24	17704	3/8"-16 x 1.25" HHCS	8	\$3.20
25	12046	56C Frame Adapter	1	\$30.63
26	V20018	Lock Washer for 56C Frame Adapter	8	\$0.44
27	V10119	Nut for 56C Frame Adapter	4	\$0.58
N/S	17701	Base Plate	1	\$289.35
N/S	12099	7/16"-14 x 1.25" HHCS	1	\$3.07
N/S	12052	56C Frame Adapter Shaft	1	\$99.22
N/S	12756	56C Frame Adapter Kit (Items 6, 22, 24-27, 12052, 12053, 15751, 15752)	1	\$124.00



12756 - 56C Frame Adapter Kit

The 12756 spacer kit includes the poly adapter, adapter shaft, and related hardware to attach a Banjo Poly Pump to a 56C frame electric motor.

NOTE: Advanced installation techniques, and pump shimming required with this kit.

2" Polypropylene Hydraulic Pumps

PUMP FEATURES

- Precision molded construction.
- Lightweight.
- Corrosion resistant.
- Superior design.
- Low maintenance.

GRESEN® MGG2 HYDRAULIC MOTOR

- Hydraulic fluid capacity
Minimum 6 Gallons / Maximum 10 Gallons.
- 12 H.P. Motor.
- Open or closed system.
- 3600 R.P.M.

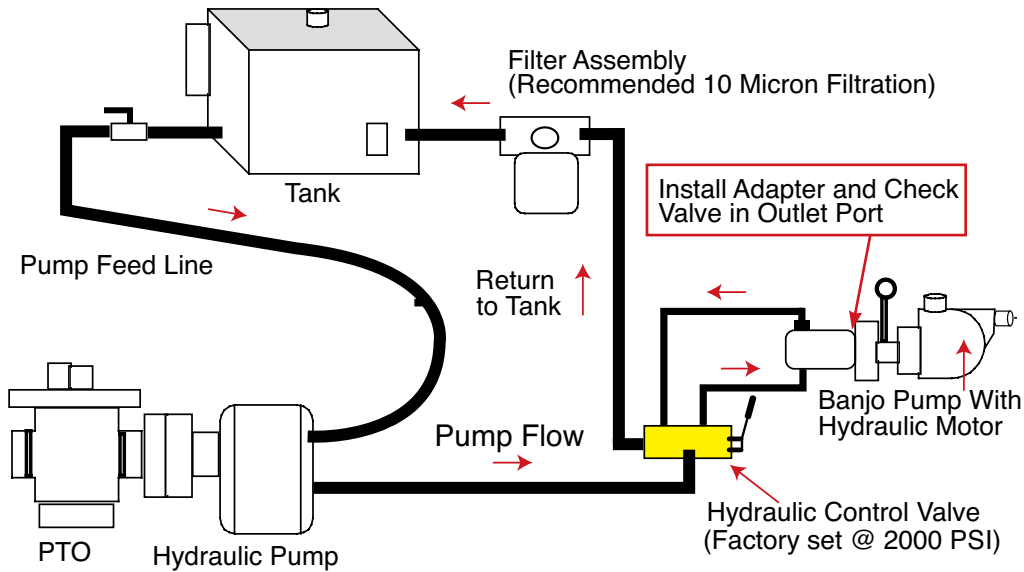
CAUTION-WARNING: Please do not run pump dry, restrict or reduce port sizes, or dead head pump. This could cause component failure to pump.

DO NOT USE WITH FLAMMABLE LIQUIDS.

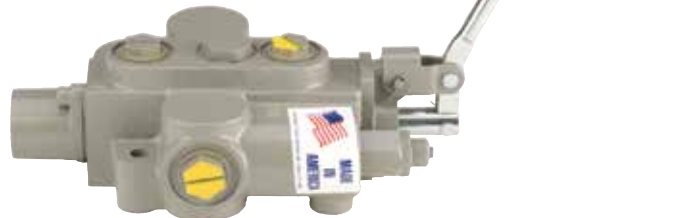


2" POLY PUMPS W/HYDRAULIC MOTORS				
PART NO	DESCRIPTION	HP	QTY	PRICE
200PHA	2" Poly Pump without Hydraulic Motor	N/A	1	\$747.02
200PHY	2" Poly Pump w/12 HP Hydraulic Motor	12.0	1	\$1,804.13

SPOOL VALVE ASSEMBLY DIAGRAM

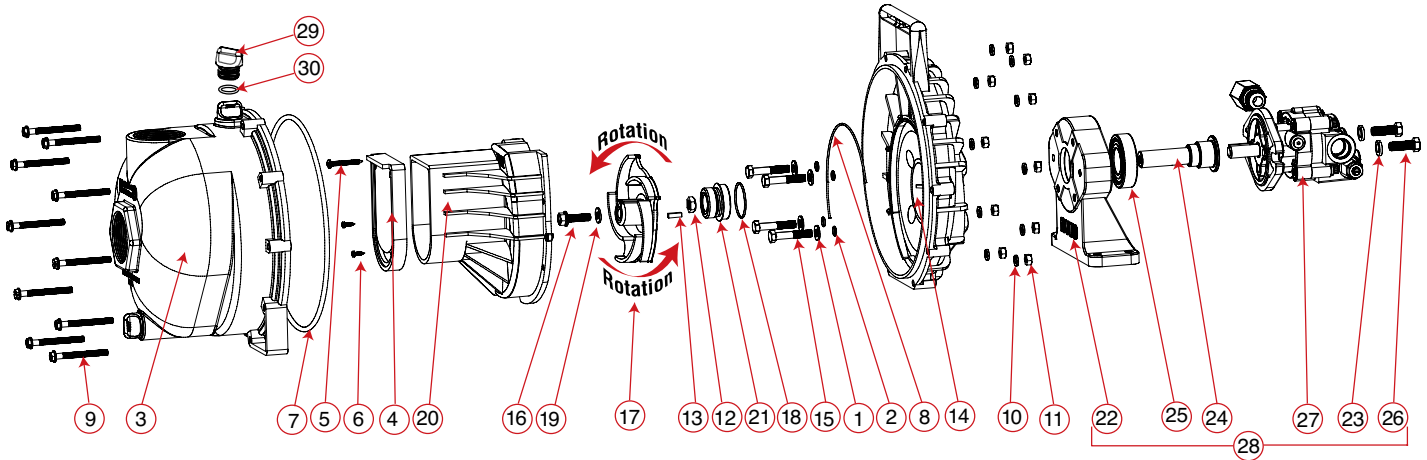


Recommendation:
We recommend using the motor spool control valve or a suitable equivalent. The lack of such a valve in this circuit may cause failure to the hydraulic motor.



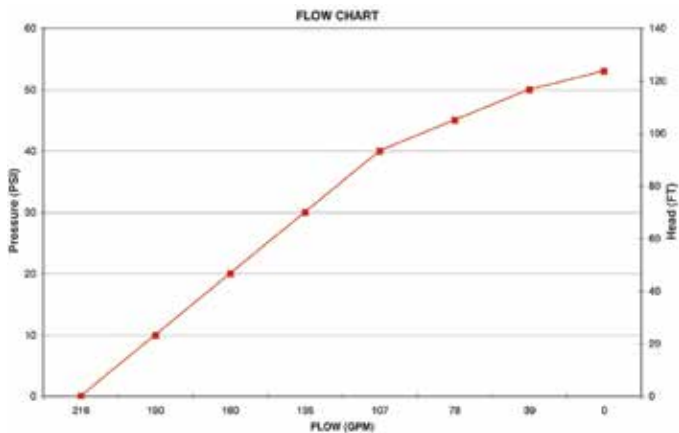
HYDRAULIC MOTOR SPOOL VALVE				
PART NO	DESCRIPTION	HP	QTY	PRICE
HSV1000	Hydraulic Motor Spool Valve	N/A	1	\$675.45





HYDRAULIC MOTOR DATA	
U.S. Gallons/Rev.	0.0025
Cubic Inches/Rev.	0.580
Liters/Rev.	0.0097
Max Hydraulic Pressure	2000 PSI
Min Hydraulic Pressure	200 PSI
Inlet Port	SAE 10 (7/8-14 UNF-2B)
Outlet Port	SAE 10 (7/8-14 UNF-2B)
Minimum GPM Required	6 GPM 2400 RPM
Maximum GPM Required	10 GPM 4000 RPM
Ideal GPM Required	9 GPM 3600 RPM
CONNECTION INFORMATION	
Inlet	"A" Port
Outlet	"B" Port
Supplied check valve is to ensure proper rotation of the Banjo pump. Place check valve in outlet port (marked "B") for proper right hand rotation.	
SPOOL VALVE INFORMATION	
Required Outlet Flow	Min 6 GPM / Max 10 GPM
Required System Pressure	Min 600 PSI / Max 3000 PSI

REPLACEMENT PARTS 2" POLY PUMPS W/ HYDRAULIC ADAPTER				
ITEM	PART NO	DESCRIPTION	QTY	PRICE
1	12901	SS Rear Bracket Washer	4	\$0.46
2	12717	O-Ring for Screw Heads	4	\$0.68
2	12717V	FKM (viton type) O-Ring for Screw Heads	4	\$1.06
3	12712A	Body Assembly	1	\$147.17
4	12705	Check Valve	1	\$15.77
4	12705V	FKM (viton type) Poly Pump Check Valve	1	\$111.13
5	12900	SS Upper Volute Screw	4	\$1.53
6	12725	SS Volute Screws	2	\$3.44
7	12719A	Body O-Ring	1	\$13.80
8	12754	O-Ring Segment	1	\$5.36
8	12754V	FKM (viton type) O-Ring Segment	1	\$9.28
9	12720	SS Body Screws	10	\$3.44
10	V07018	SS Lock Washers	10	\$0.44
11	V07019	SS Body Nuts	10	\$0.44
12	12775A	Impeller Hex Nut	1	\$13.80
13	12902A	Impeller Key	1	\$1.61
14	12703A	Poly Pump Rear Bracket	1	\$91.19
15	12715A	5/16"-24 x 1.75" HHCS	4	\$3.84
16	12765A	SS Impeller Bolt	1	\$17.26
17	12772	5 Vane Impeller	1	\$43.69
18	12710	O-Ring for Seal Assembly	1	\$3.37
18	12710V	FKM (viton type) O-Ring for Seal Assembly	1	\$9.98
19	12774VA	Impeller Bolt Gasket	1	\$1.45
20	12702A	Poly Pump Volute	1	\$67.14
21	12713	Mechanical Seal Assembly	1	\$45.63
22	12049E	Hydraulic Pedestal Housing	1	\$153.28
23	V20018	3/8" Lock Washer	2	\$0.44
24	12055E	Adapter Shaft	1	\$197.42
25	17056E	Bearing	1	\$121.09
26	18010SS	3/8"-16 x 1.25" HHCS	2	\$1.94
27	HY1013	Hydraulic Motor	1	\$1,315.58
28	12600B	Complete Hydraulic Assembly	1	\$1,454.02
29	12777	Drain Plug	2	\$2.33
30	UV15163	O-Ring for Plug	2	\$0.46
N/S	HY1003	Hydraulic Motor Seal Kit	2	\$274.19



NOTE: See page 148 & 152 for complete pumps equipped with FKM (viton type) elastomers.

SELF-PRIMING CENTRIFUGAL PUMPS

2" Polypropylene Manifold Pumps with Gas Engines

FEATURES

- Precision molded construction.
- Lightweight.
- Corrosion resistant.
- Superior design.
- Low maintenance.
- EPDM Standard, FKM (viton type) available.



2" POLY MANIFOLD PUMPS W/GAS ENGINES				
PART NO	DESCRIPTION	HP	QTY	PRICE
M220PH5	2" Poly Manifold Pump w/5.5 HP Honda® Engine	5.5	1	\$1,977.56
M220PH5E	2" Poly Manifold Pump w/5.5 HP Honda® Engine w/Electric Start	5.5	1	\$2,480.84
M220PH6	2" Poly Manifold Pump w/6.5 HP Honda® Engine	6.5	1	\$2,672.40
M220P6PRO	2" Poly Manifold Pump w/6.5 HP Briggs & Stratton® Pro Series Engine	6.5	1	\$1,157.82



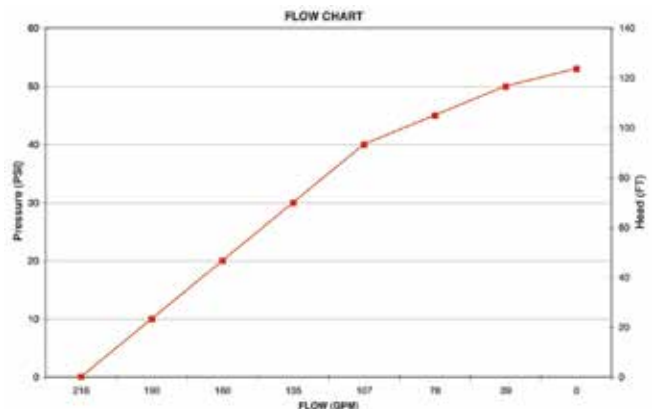
2" POLY MANIFOLD BEARING PEDESTALS				
PART NO	DESCRIPTION	HP	QTY	PRICE
M225PB	2" Poly Manifold Bearing Pedestal w/ 3/4" Shaft & 5 Vane Impeller	N/A	1	\$681.47

2" POLY MANIFOLD PUMP ONLYS				
PART NO	DESCRIPTION	HP	QTY	PRICE
M225PO	2" Poly Manifold Pump Only w/ 3/4" Shaft & 5 Vane Impeller	N/A	1	\$428.70

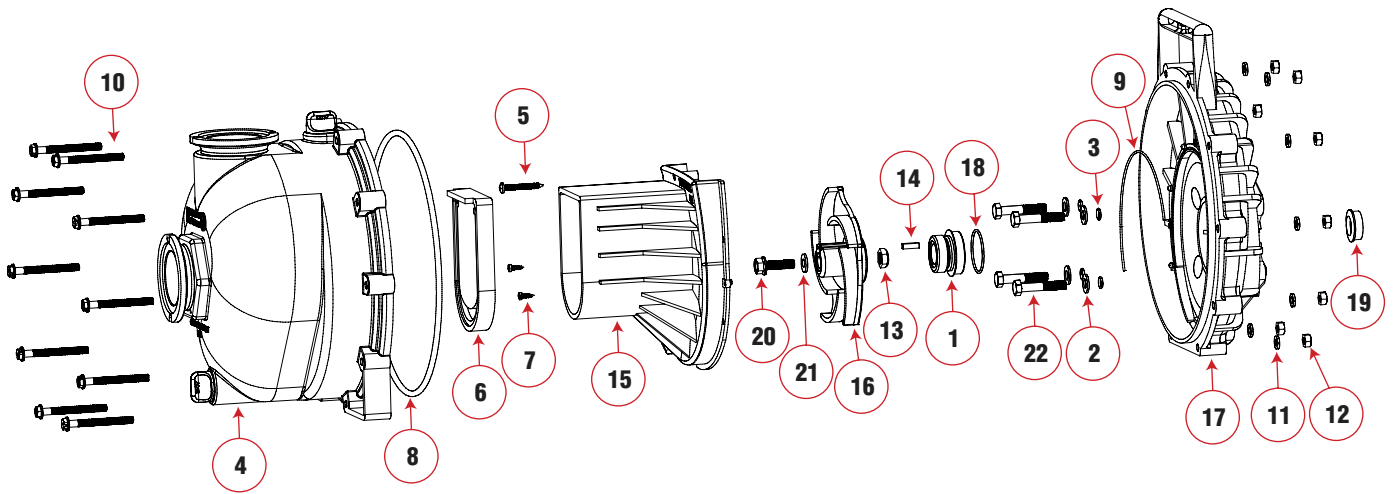
CAUTION-WARNING: Please do not run pump dry, restrict or reduce port sizes, or dead head pump. This could cause component failure to pump.

DO NOT USE WITH FLAMMABLE LIQUIDS.

NOTE: Engine warranty service available at authorized Briggs & Stratton and Honda dealers.



See page 81-85 for fittings and clamps.



REPLACEMENT PARTS 2" POLY MANIFOLD PUMPS				
ITEM	PART NO	DESCRIPTION	QTY	PRICE
1	12713	Mechanical Seal Assembly	1	\$45.63
2	12901	SS Rear Bracket Washer	4	\$0.46
3	12717	O-Ring for Screw Head	4	\$0.68
4	M12712	2" FP Manifold Pump Body Assembly	1	\$200.76
5	12705	Poly Pump Check Valve	1	\$15.77
6	12900	SS Upper Volute Screw	1	\$1.53
7	12725	SS Volute Screws	2	\$3.44
8	12719A	Body O-Ring	1	\$13.80
9	12754	O-Ring Segment	1	\$5.36
10	12710	O-Ring for Seal Assembly	10	\$3.37
11	V07018	SS Lock Washers	10	\$0.44

REPLACEMENT PARTS 2" POLY MANIFOLD PUMPS				
ITEM	PART NO	DESCRIPTION	QTY	PRICE
12	V07019	SS Body Nuts	10	\$0.44
13	12775A	Impeller Hex Nut	1	\$13.80
14	12902A	Impeller Key	1	\$1.61
15	12702A	Poly Pump Volute	1	\$67.14
16	12772	5 Vane Impeller	1	\$43.69
17	12703A	Poly Pump Rear Bracket	1	\$91.19
18	12710	O-Ring for Seal Assembly	1	\$3.37
19	12716	Poly Pump Slinger	1	\$5.36
20	12765A	SS Impeller Bolt	1	\$17.26
21	12774VA	Impeller Bolt Gasket	1	\$1.45
22	12715A	SS Bracket Screws	4	\$3.84

2" Polypropylene Manifold Wet Seal Pumps with Gas Engines

FEATURES

- New Compact Design!
- Run Dry Capability!
- Double seal contained in ethylene glycol reservoir. Carbon Ceramic seal faces with stainless steel cup & spring with EPDM rubber.
- Pump end separated from engine.
- Large weep holes between pump end and engine.
- "V" shaped for quicker priming.

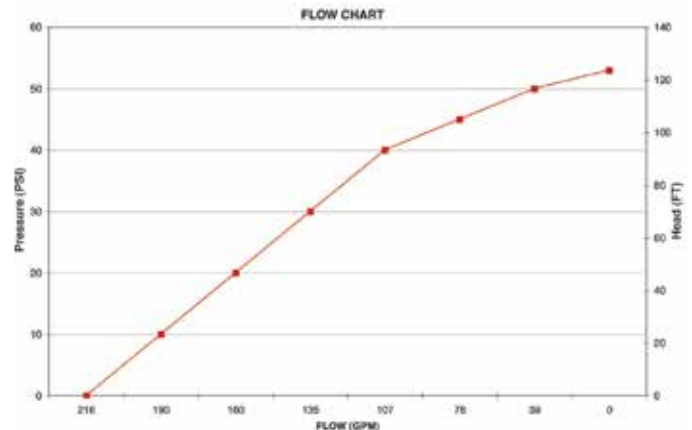


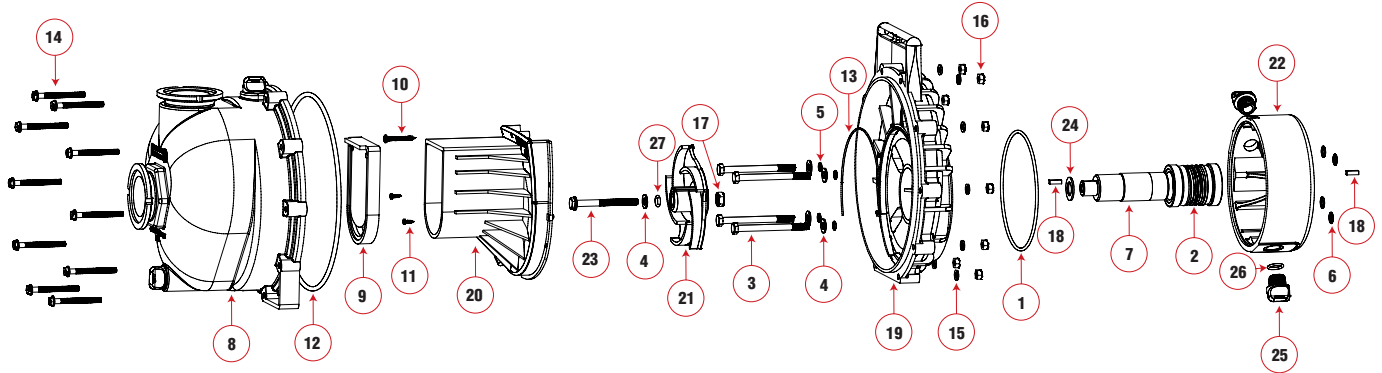
2" POLY MANIFOLD WET SEAL PUMPS W/GAS ENGINES				
PART NO	DESCRIPTION	HP	QTY	PRICE
M220PH5W	2" Poly Manifold Wet Seal Pump w/5.5 HP Honda® Engine	5.5	1	\$2,219.92
M220PH5EW	2" Poly Manifold Wet Seal Pump w/5.5 HP Honda® Engine w/Electric Start	5.5	1	\$3,026.91
M220P6PROW	2" Poly Manifold Wet Seal Pump w/6.5 HP Briggs & Stratton® Engine Pro Series	6.5	1	\$1,343.68



2" POLY MANIFOLD WET SEAL BEARING PEDESTAL				
PART NO	DESCRIPTION	HP	QTY	PRICE
M220PBW	2" Poly Manifold Wet Seal Bearing Pedestal w/ 3/4" Shaft & 5 Vane Impeller	N/A	1	\$997.97

DO NOT USE WITH FLAMMABLE LIQUIDS.





REPLACEMENT PARTS 2" POLY MANIFOLD WET SEAL PUMPS				
ITEM	PART NO	DESCRIPTION	QTY	PRICE
1	13719	O-Ring	1	\$2.74
2	15035E	EPDM Mechanical Seal Assembly	1	\$231.11
3	12034	5/16" -24 x 3 3/4" HHCS	4	\$8.86
4	12901	SS Rear Bracket Washer	5	\$0.46
5	12717	O-Ring for Screw Head	4	\$0.68
6	12709	O-Ring	4	\$0.72
7	12155	Adapter Shaft	1	\$134.52
8	M12712	2" FP Manifold Pump Body Assembly	1	\$200.76
9	12705	Poly Pump Check Valve	1	\$15.77
10	12900	SS Upper Volute Screw	1	\$1.53
11	12725	SS Volute Screws	2	\$3.44
12	12719A	Body O-Ring	1	\$13.80
13	12754	O-Ring Segment	1	\$5.36

REPLACEMENT PARTS 2" POLY MANIFOLD WET SEAL PUMPS				
ITEM	PART NO	DESCRIPTION	QTY	PRICE
14	12720	SS Body Screws	10	\$3.44
15	V07018	1/4" SS Lock Washer	10	\$0.44
16	V07019	1/4" SS Nut	10	\$0.44
17	12775A	Impeller Hex Nut	1	\$13.80
18	12902A	Impeller Key	1	\$1.61
19	12707W	Wet Seal Rear Bracket	1	\$72.15
20	12702A	Poly Pump Volute	1	\$67.14
21	12772	5 Vane Impeller	1	\$43.69
22	12202W	Wet Seal Reservoir	1	\$84.37
23	12766	5/16" - 24 x 3 1/4" HFS	1	\$6.73
24	CV10175	Gasket	1	\$1.36
25	12777	Prime/Drain Plug	2	\$2.33
26	UV15163	Prime/Drain Plug O-Ring	2	\$0.46
27	A203V	O-Ring	1	\$1.61

2" Polypropylene Manifold SUPER Pumps with Gas Engines & Pump Only

SUPER²

FEATURES

- Precision molded construction.
- Lightweight.
- Corrosion resistant.
- Superior design.
- Low maintenance.
- EPDM Standard, FKM (viton type) available.

High performance impeller for maximum flow! 255 GPM!

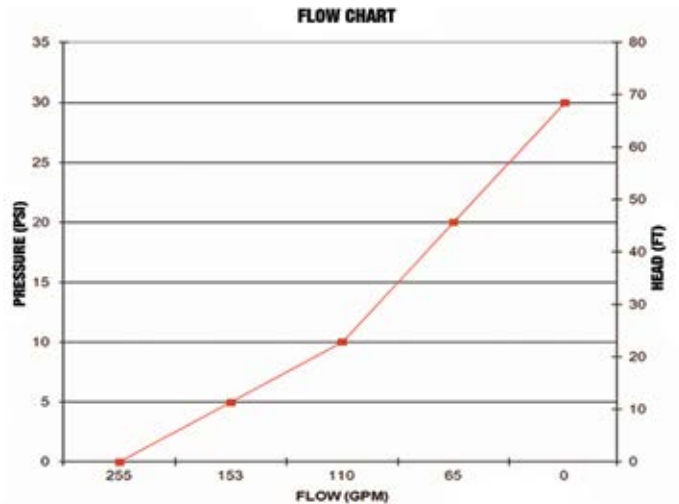


CAUTION-WARNING: Please do not run pump dry, restrict or reduce port sizes, or dead head pump. This could cause component failure to pump.

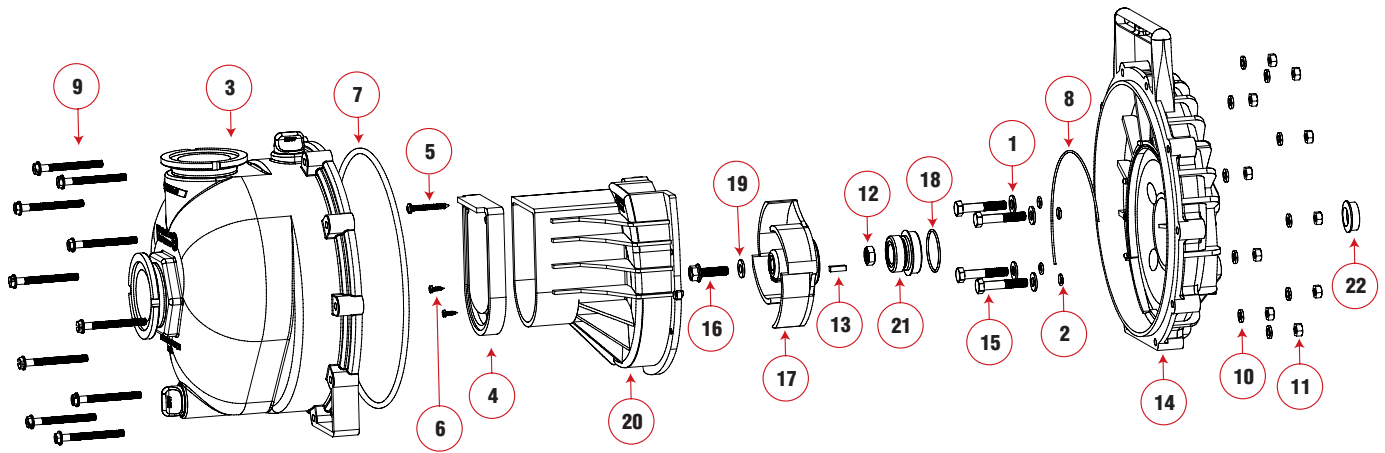
DO NOT USE WITH FLAMMABLE LIQUIDS.

NOTE: Engine warranty service available at authorized Briggs & Stratton and Honda dealers.

2" SUPER POLY MANIFOLD PUMPS W/GAS ENGINES				
PART NO	DESCRIPTION	HP	QTY	PRICE
M230PH6	2" FP Manifold Super Pump w/6.5 HP Honda® Engine	6.5	1	\$2,342.04
M230P6PRO	2" FP Manifold Super Pump w/6.5 HP Briggs & Stratton® Pro Series Engine	6.5	1	\$1,227.94
M230P11PRO	2" FP Manifold Super Pump w/11 HP Briggs & Stratton® Pro Series Engine w/Electric Start	11	1	\$2,489.23



See page 81-85 for fittings and clamps.



REPLACEMENT PARTS 2" POLY MANIFOLD PUMPS				
ITEM	PART NO	DESCRIPTION	QTY	PRICE
1	12901	SS Rear Bracket Washer	4	\$0.46
2	12717	O-Ring for Screw Head	4	\$0.68
3	M12712	2" FP Manifold Pump Body Assembly	1	\$200.76
4	12705	Pump Check Valve	1	\$15.77
5	12900	SS Upper Volute Screw	1	\$1.53
6	12725	SS Volute Screws	2	\$3.44
7	12719A	Body O-Ring	1	\$13.80
8	12754	O-Ring Segment	1	\$5.36
9	12720	SS Body Screws	10	\$3.44
10	V07018	1/4" SS Lock Washer	10	\$0.44
11	V07019	1/4" SS Nut	10	\$0.44

REPLACEMENT PARTS 2" POLY MANIFOLD PUMPS				
ITEM	PART NO	DESCRIPTION	QTY	PRICE
12	12775A	Impeller Hex Nut	1	\$13.80
13	12902A	Impeller Key	1	\$1.61
14	12703A	Poly Pump Rear Bracket	1	\$91.19
15	12715A	SS Bracket Screws	4	\$3.84
16	12765A	SS Impeller Bolt	1	\$17.26
17	13771	4 Vane Trimmed Impeller	1	\$58.24
18	12710	O-Ring for Seal Assembly	1	\$3.37
19	12774VA	Impeller Bolt Gasket	1	\$1.45
20	13702	3" Poly Pump Volute	1	\$73.57
21	12713	Mechanical Seal Assembly	1	\$45.63
22	12716	Poly Pump Slinger	1	\$5.36

3" Polypropylene Pumps

PUMP FEATURES

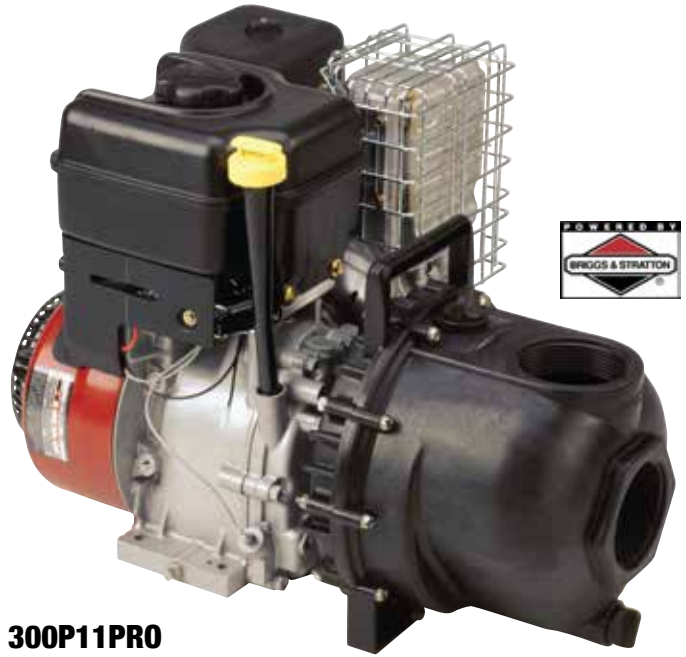
- High strength polypropylene.
- Corrosion resistant.
- Lightweight – portable.
- High performance impellers.
- EPDM Standard, FKM (viton type) available.

APPLICATIONS

- Agricultural pump.
- Contractor pump.
- Emergency use: fires & floods.



300PH-6
6.5 HP HONDA PUMP



300P11PRO
11HP BRIGGS & STRATTON INTEK PRO PUMP

3" POLY PUMPS W/GAS ENGINES

PART NO	DESCRIPTION	HP	QTY	PRICE
300PH-6	3" Poly Pump w/6.5 HP Honda® Engine	6.5	1	\$2,338.86
300P11PRO	3" Poly Pump w/11 HP Briggs & Stratton® Engine Pro Series w/Electric Start & Pull Rope	11	1	\$2,484.47

3" POLY BEARING PEDESTAL

PART NO	DESCRIPTION	HP	QTY	PRICE
300PB	3" Poly Bearing Pedestal w/ 3/4" Shaft & 4 Vane Impeller	N/A	1	\$999.60

3" POLY PUMP ONLY

PART NO	DESCRIPTION	HP	QTY	PRICE
300PO	3" Poly Pump Only w/ 3/4" Shaft & 4 Vane Impeller Unassembled	N/A	1	\$605.48

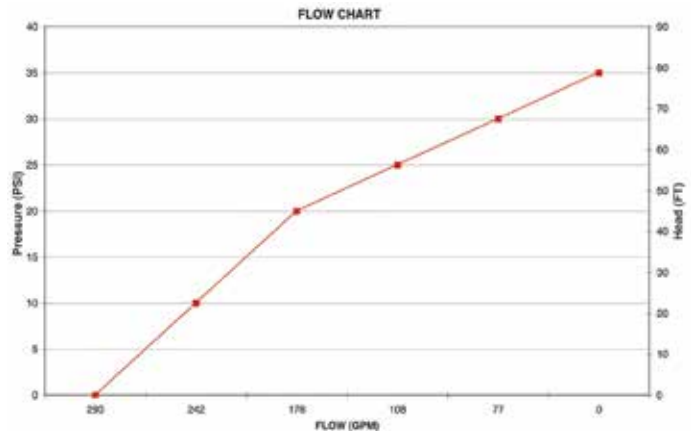


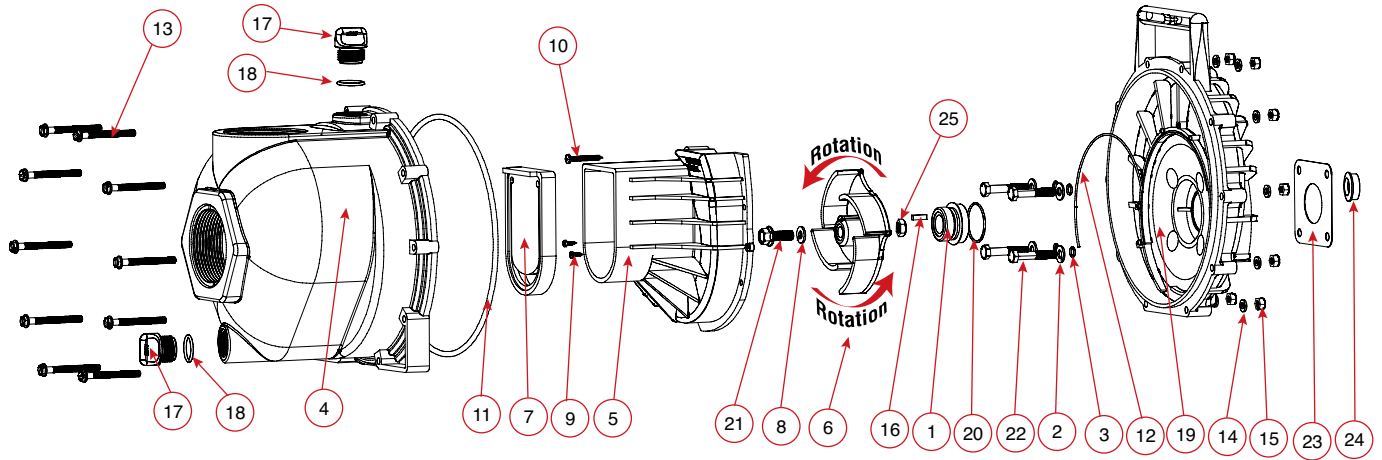
PEDESTAL PUMP 300PB & PUMP ONLY 300PO

CAUTION-WARNING: Please do not run pump dry, restrict or reduce port sizes, or dead head pump. This could cause component failure to pump.

DO NOT USE WITH FLAMMABLE LIQUIDS.

NOTE: Engine warranty service available at authorized Briggs & Stratton and Honda dealers.





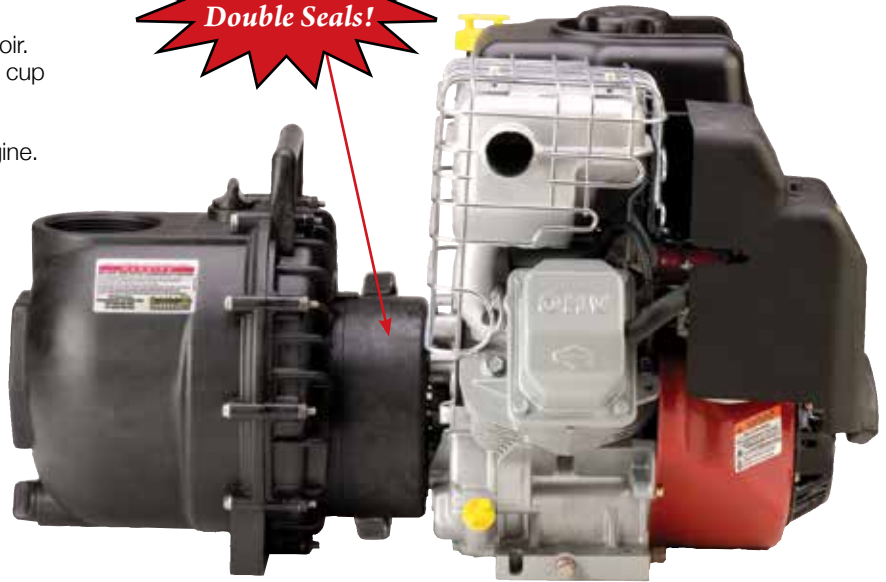
REPLACEMENT PARTS 3" POLY PUMPS				
ITEM	PART NO	DESCRIPTION	QTY	PRICE
1	12713	Seal Assembly	1	\$45.63
1	12713V	FKM (viton type) Seal Assembly w/316 SS Cup & Spring	1	\$73.57
2	12901	SS Rear Bracket Washer	4	\$0.46
3	12717	O-Ring for Screw Head	4	\$0.68
3	12717V	FKM (viton type) O-Ring for Screw Head	4	\$1.06
4	13712	Body Assembly	1	\$191.62
5	13702	Poly Pump Volute	1	\$73.57
6	13771	4 Vane Trimmed Impeller (300PH-6, 300PB & 300PO)	1	\$58.24
6	13772	4 Vane Impeller(300P11PRO)	1	\$58.24
7	12705	Check Valve	1	\$15.77
7	12705V	FKM (viton type) Pump Check Valve	1	\$111.13
8	12774VA	Impeller Bolt Gasket	1	\$1.45
9	12900	SS Upper Volute Screw	4	\$1.53
10	12725	SS Volute Screws	2	\$3.44
11	12719A	Body O-Ring	1	\$13.80
11	12719AV	FKM (viton type) Body O-Ring	8	\$63.61
12	12754	O-Ring Segment	1	\$5.36
12	12754V	FKM (viton type) O-Ring Segment	1	\$9.28
13	12720	SS Body Screws	10	\$3.44
14	V07018	SS Lock Washers	10	\$0.44
15	V07019	SS Body Nuts	10	\$0.44

REPLACEMENT PARTS 3" POLY PUMPS				
ITEM	PART NO	DESCRIPTION	QTY	PRICE
16	12902A	Impeller Key	1	\$1.61
17	13777	Prime/Drain Plug	2	\$3.07
18	13778	Prime/Drain Plug O-Ring	2	\$1.94
18	13778V	FKM (viton type) Prime/Drain Plug O-Ring	2	\$2.70
19	12703A	Poly Pump Rear Bracket	1	\$91.19
20	12710	O-Ring for Seal Assembly	1	\$3.37
20	12710V	FKM (viton type) O-Ring for Seal Assembly	1	\$9.98
21	12765A	SS Impeller Bolt 5/16 x 24 x 1.12 (300PH-6)	1	\$17.26
21	13765	SS Impeller Bolt 3/8 x 24 x 1.75 (300P11PRO)	1	\$17.26
22	12715A	SS Bracket Screws	4	\$3.84
23	15751	Rear Bracket Shim	1	\$3.20
24	12716	Poly Pump Slinger	1	\$5.36
25	12775A	Impeller Hex Nut	1	\$13.80
N/S	12882A	Bearing Pedestal	1	\$222.27
N/S	12099	7/16"-14 x 1.25" HHCS	1	\$3.07
N/S	13000	4 Vane Impeller Repair Kit (Items 1, 3, 6-8, 11, 12, 18, 20, 24 & 12099)	1	\$147.17
N/S	13000V	4 Vane Impeller FKM (viton type) Repair Kit (Items 1, 3, 6-8, 11, 12, 18, 20, 24 & 12099)	1	\$250.63
N/S	13999	Pump Seal/O-Ring Kit (Items 1, 3, 8, 11, 12, 18, 20, 24 & 12099)	1	\$73.57
N/S	13999V	FKM(viton type) Pump Seal/O-Ring Kit (Items 1, 3, 8, 11, 12, 18, 20, 24 & 12099)	1	\$117.88

3" Poly Wet Seal Pumps

FEATURES

- New Compact Design!
- Run Dry Capability!
- Double seal contained in ethylene glycol reservoir.
Carbon Ceramic seal faces with stainless steel cup & spring with EPDM rubber.
- Pump end separated from engine.
- Large weep holes between pump end and engine.
- "V" shaped for quicker priming.



3" POLY WET SEAL PUMPS W/GAS ENGINES				
PART NO	DESCRIPTION	HP	QTY	PRICE
300PH6W	3" Poly Wet Seal Pump w/6.0 HP Honda® Engine	6.0	1	\$2,525.09
300PH11W	3" Poly Wet Seal Pump w/11 HP Honda® Engine w/Electric Start & Pull Rope	11	1	\$3,796.51
300P6PROW	3" Poly Wet Seal Pump w/6.0 HP Briggs & Stratton® Engine Pro Series	6.0	1	\$1,640.31
300P11PROW	3" Poly Wet Seal Pump w/11 HP Briggs & Stratton® Engine Pro Series w/Electric Start & Pull Rope	11	1	\$2,721.36
300PH13W	3" Poly Wet Seal Pump w/13 HP Honda® Engine w/Electric Start & Pull Rope	13	1	\$3,836.24

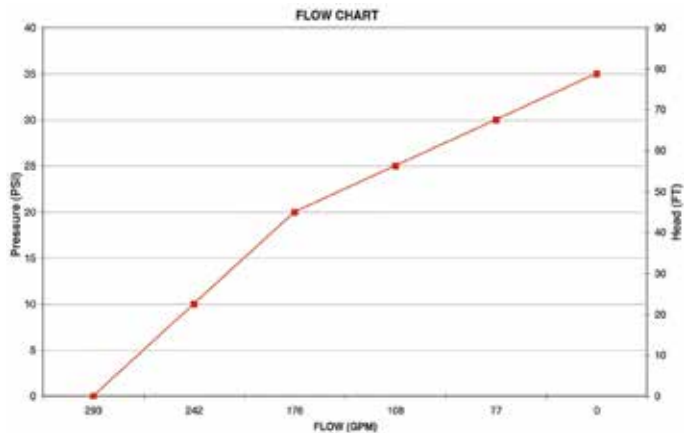
Truck shipments only.

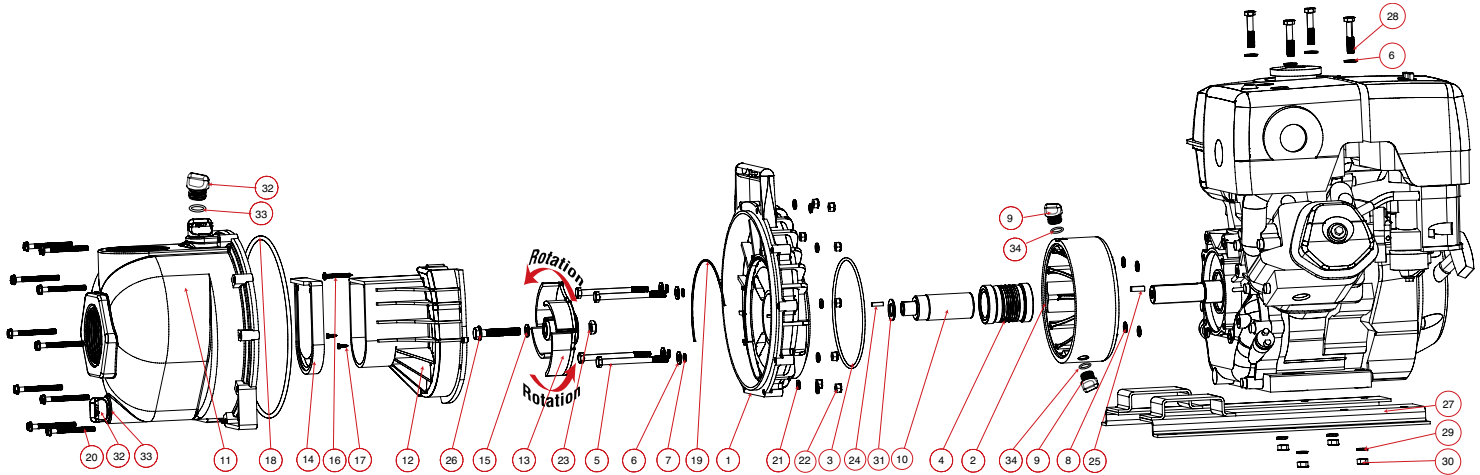
3" POLY WET SEAL BEARING PEDESTAL				
PART NO	DESCRIPTION	HP	QTY	PRICE
300PBW	3" Poly Wet Seal Bearing Pedestal w/ 3/4" Shaft & 4 Vane Impeller	N/A	1	\$1,436.79



Bearing Pedestal
3/4" shaft for electric motors

DO NOT USE WITH FLAMMABLE LIQUIDS.





REPLACEMENT PARTS 3" POLY WET SEAL PUMPS				
ITEM	PART NO	DESCRIPTION	QTY	PRICE
1	12703AW	Wet Seal Rear Bracket for 11 HP Honda® Engine & 11 HP Briggs & Stratton® Engine	1	\$97.83
1	12707W	Wet Seal Rear Bracket for 6 HP Honda® Engine, 6 HP Briggs & Stratton® Engine & Bearing Pedestal	1	\$72.15
2	12201W	Wet Seal Reservoir for 11 HP Honda® Engine & 11 HP Briggs & Stratton® Engine	1	\$71.96
2	12202W	Wet Seal Reservoir for 6 HP Honda® Engine, 6 HP Briggs & Stratton® Engine & Bearing Pedestal	1	\$84.37
3	13719	O-Ring	1	\$2.74
4	15035E	EPDM Mechanical Seal Assembly	1	\$231.11
5	12034	5/16" - 24 x 3 3/4" HHCS	4	\$8.86
6	12901	5/16" Flat Washer	8	\$0.46
7	12717	O-Ring for Bracket Screw	4	\$0.68
8	12709	O-Ring	4	\$0.72
9	12777	Drain Plug	2	\$2.33
10	13055	Adapter Shaft for 11 HP Honda® Engine & 11 HP Briggs & Stratton® Engine	1	\$114.13
10	12155	Adapter Shaft for 6 HP Honda® Engine, 6 HP Briggs & Stratton® Engine & Bearing Pedestal	1	\$134.52
11	13712	Body Assembly	1	\$191.62
12	13702	Volute	1	\$73.57
13	13772	Impeller	1	\$58.24
14	12705	Check Valve	1	\$15.77
15	12774VA	Impeller Bolt Gasket	1	\$1.45
16	12900	#10 x 1 1/2" PPH SMS 18-8 SS	1	\$1.53

REPLACEMENT PARTS 3" POLY WET SEAL PUMPS				
ITEM	PART NO	DESCRIPTION	QTY	PRICE
17	12725	#6 x 1/2" PPH SMS 18-8 SS	1	\$3.44
18	12719A	Body O-Ring	1	\$13.80
19	12754	O-Ring Segment	1	\$5.36
20	12720	1/4" - 20 x 2 1/2" SI Ind HWHS	10	\$3.44
21	V07018	1/4" Lock Washer	10	\$0.44
22	V07019	1/4" - 20 Hex Nut	10	\$0.44
23	12775A	7/16" -14 Hex Nut	1	\$13.80
24	12902A	3/16" SQ. x 5/8" Key	1	\$1.61
25	16901	1/4" SQ. 3/4" Key Stock	1	\$3.20
26	13766	3/8" - 24 x 2 1/4" HFS for 11 HP Honda® Engine & 11 HP Briggs & Stratton® Engine	1	\$3.78
26	12766	5/16"-24 x 3 1/4" HFS for 6 HP Honda® Engine, 6 HP Briggs & Stratton® Engine & Bearing Pedestal	1	\$6.73
27	18135A	Z-Rail	1	\$22.76
27	18135B	Z-Rail	1	\$22.76
28	17029	5/16" - 18 x 1.75" HHCS	4	\$1.21
29	V10118	5/16" Lock Washer	4	\$0.44
30	V10119	5/16" - 18 UNC SS Hexnut	4	\$0.58
31	CV10175	Gasket	1	\$1.36
32	13777	Drain Plug	2	\$3.07
33	13778	O-Ring	2	\$1.94
34	UV15163	O-Ring	2	\$0.46

3" Polypropylene Pumps with Hydraulic Motors

HYDRAULIC MOTOR

- Hydraulic fluid capacity
Minimum 6 gallons / Maximum 10 gallons.
- 12 H.P. Motor.
- Open or closed system.
- 3600 RPM.

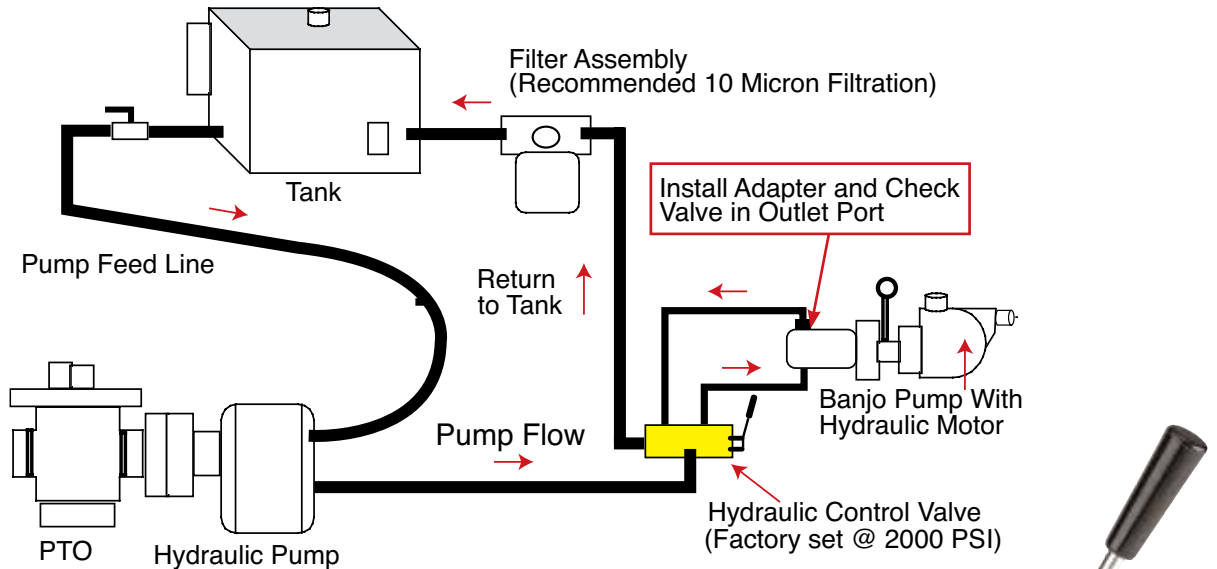
CAUTION-WARNING: Please do not run pump dry, restrict or reduce port sizes, or dead head pump. This could cause component failure to pump.

DO NOT USE WITH FLAMMABLE LIQUIDS.



3" POLY PUMPS W/HYDRAULIC MOTORS				
PART NO	DESCRIPTION	HP	QTY	PRICE
300PHY	3" Poly Pump w/12 HP Hydraulic Motor	12	1	\$1,988.45

SPOOL VALVE ASSEMBLY DIAGRAM

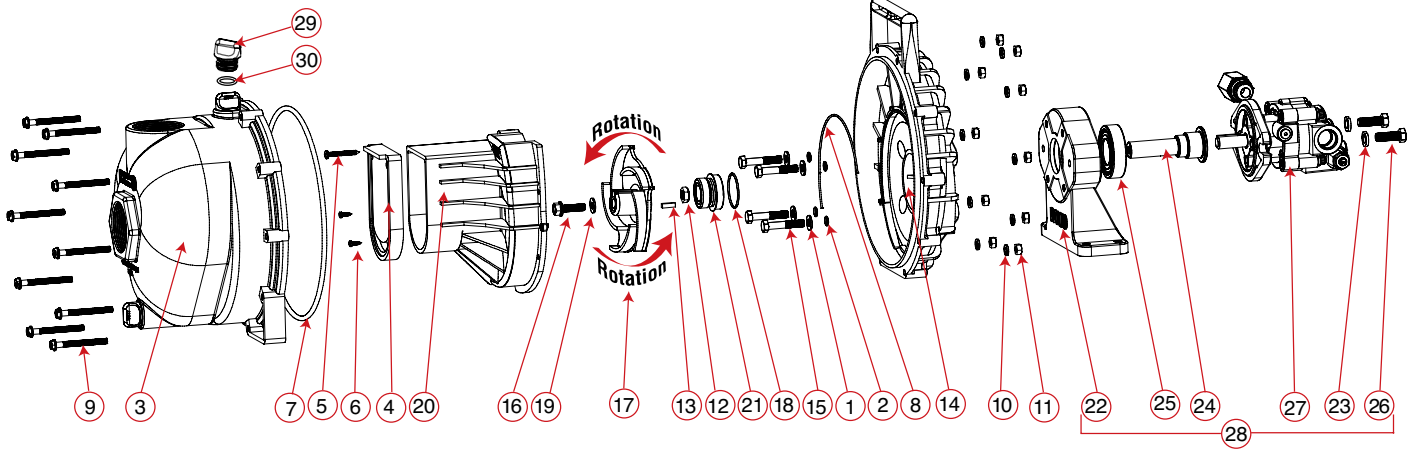


Recommendation:
We recommend using the motor spool control valve or a suitable equivalent. The lack of such a valve in this circuit may cause failure to the hydraulic motor.



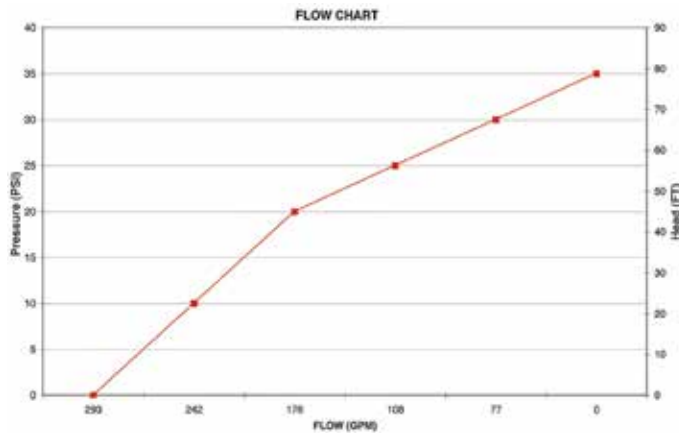
HYDRAULIC MOTOR SPOOL VALVE				
PART NO	DESCRIPTION	HP	QTY	PRICE
HSV1000	Hydraulic Motor Spool Valve	N/A	1	\$675.45





HYDRAULIC MOTOR DATA	
U.S. Gallons/Rev.	0.0025
Cubic Inches/Rev.	0.580
Liters/Rev.	0.0097
Max Hydraulic Pressure	2000 PSI
Min Hydraulic Pressure	200 PSI
Inlet Port	SAE 10 (7/8-14 UNF-2B)
Outlet Port	SAE 10 (7/8-14 UNF-2B)
Minimum GPM Required	6 GPM 2400 RPM
Maximum GPM Required	10 GPM 4000 RPM
Ideal GPM Required	9 GPM 3600 RPM
CONNECTION INFORMATION	
Inlet	"A" Port
Outlet	"B" Port
Supplied check valve is to ensure proper rotation of the Banjo pump. Place check valve in outlet port (marked "B") for proper right hand rotation.	
SPOOL VALVE INFORMATION	
Required Outlet Flow	Min 6 GPM / Max 10 GPM
Required System Pressure	Min 600 PSI / Max 3000 PSI

REPLACEMENT PARTS 3" POLY PUMPS W/ HYDRAULIC ADAPTER				
ITEM	PART NO	DESCRIPTION	QTY	PRICE
1	12901	SS Rear Bracket Washer	4	\$0.46
2	12717	O-Ring for Screw Heads	4	\$0.68
2	12717V	FKM (viton type) O-Ring for Screw Heads	4	\$1.06
3	13712	Body Assembly	1	\$191.62
4	12705	Check Valve	1	\$15.77
4	12705V	FKM (viton type) Pump Check Valve	1	\$111.13
5	12900	SS Upper Volute Screw	4	\$1.53
6	12725	SS Volute Screws	2	\$3.44
7	12719A	Body O-Ring	1	\$13.80
8	12754	O-Ring Segment	1	\$5.36
8	12754V	FKM (viton type) O-Ring Segment	1	\$9.28
9	12720	SS Body Screws	10	\$3.44
10	V07018	SS Lock Washers	10	\$0.44
11	V07019	SS Body Nuts	10	\$0.44
12	12775A	Impeller Hex Nut	1	\$13.80
13	12902A	Impeller Key	1	\$1.61
14	12703A	Poly Pump Rear Bracket	1	\$91.19
15	12715A	5/16"-24 x 1.75" HHCS	4	\$3.84
16	12765A	SS Impeller Bolt	1	\$17.26
17	13771	4 Vane Impeller	1	\$58.24
18	12710	O-Ring for Seal Assembly	1	\$3.37
18	12710V	FKM (viton type) O-Ring for Seal Assembly	1	\$9.98
19	12774VA	Impeller Bolt Gasket	1	\$1.45
20	13702	Poly Pump Volute	1	\$73.57
21	12713	Mechanical Seal Assembly	1	\$45.63
22	12049B	Hydraulic Pedestal Housing	1	\$156.35
23	V20018	3/8" Lock Washer	2	\$0.44
24	12055B	Adapter Shaft	1	\$125.06
25	17056	Bearing	1	\$43.41
26	18010SS	3/8"-16 x 1.25" HHCS	2	\$1.94
27	HY1013	Hydraulic Motor	1	\$1,315.58
28	12600B	Complete Hydraulic Assembly	1	\$1,454.02
29	13777	Drain Plug	2	\$3.07
30	13778	O-Ring for Drain Plug	2	\$1.94



NOTE: See page 148 & 152 for complete pumps equipped with FKM (viton type) elastomers.

3" Polypropylene Manifold Pumps with Gas Engines & Pump Onlys

FEATURES

- Precision molded construction.
- Lightweight.
- Corrosion resistant.
- Superior design.
- Low maintenance.
- EPDM Standard, FKM (viton type) available.



CAUTION-WARNING: Please do not run pump dry, restrict or reduce port sizes, or dead head pump. This could cause component failure to pump.

DO NOT USE WITH FLAMMABLE LIQUIDS.

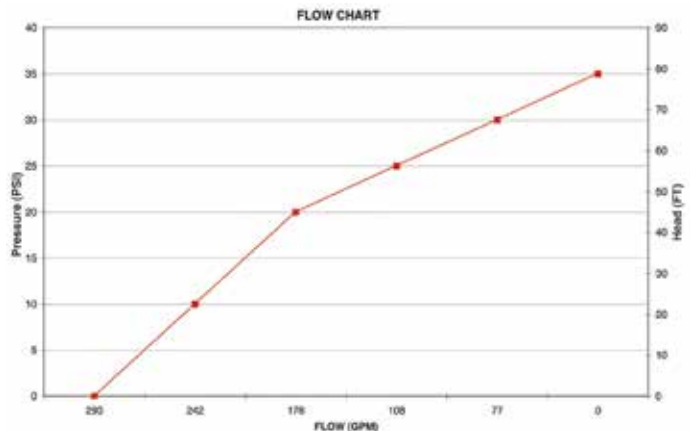
NOTE: Engine warranty service available at authorized Briggs & Stratton and Honda dealers.

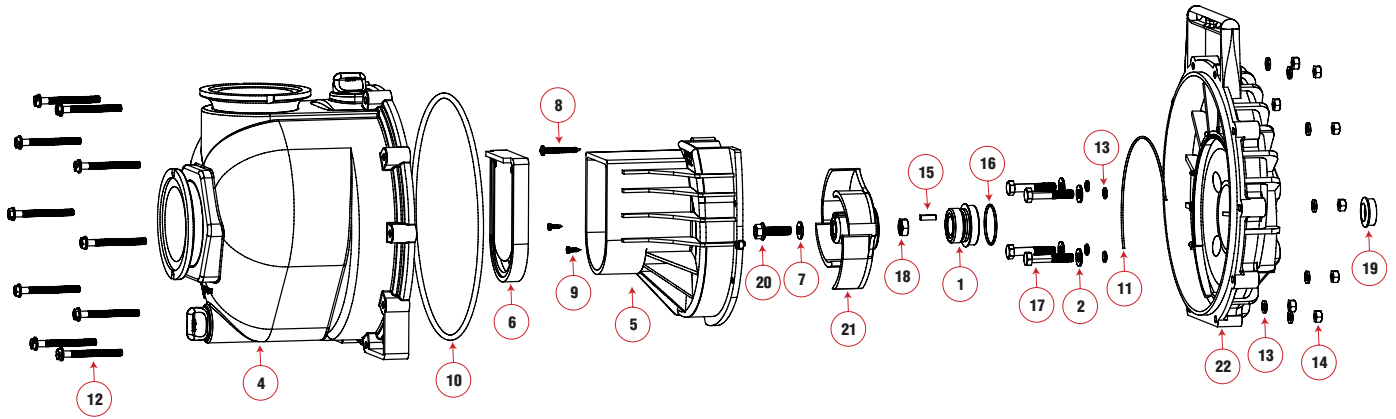
3" POLY MANIFOLD PUMPS W/GAS ENGINES

PART NO	DESCRIPTION	HP	QTY	PRICE
M300PH6	3" Poly Manifold Pump w/6.5 HP Honda® Engine	6.5	1	\$2,493.15
M300P6PRO	3" Poly Manifold Pump w/6.5 HP Briggs & Stratton® Pro Series Engine	6.5	1	\$1,952.64
M300P11PRO	3" Poly Manifold Pump w/11 HP Briggs & Stratton® Pro Series Engine	11	1	\$2,382.04

3" POLY MANIFOLD BEARING PEDESTAL

PART NO	DESCRIPTION	HP	QTY	PRICE
M300PB	3" Poly Manifold Bearing Pedestal w/ 3/4" Shaft & 4 Vane Impeller	N/A	1	\$1,014.96





REPLACEMENT PARTS 3" POLY MANIFOLD PUMPS				
ITEM	PART NO	DESCRIPTION	QTY	PRICE
1	12713	Mechanical Seal Assembly	1	\$45.63
2	12901	SS Rear Bracket Washer	4	\$0.46
3	12717	O-Ring for Screw Head	4	\$0.68
4	M13712	Body Assembly	1	\$218.48
5	13702	Poly Pump Volute	1	\$73.57
6	12705	Check Valve	1	\$15.77
7	12774VA	Impeller Bolt Gasket	1	\$1.45
8	12900	SS Upper Volute Screw	1	\$1.53
9	12725	SS Volute Screws	2	\$3.44
10	12719A	Body O-Ring	1	\$13.80
11	12754	O-Ring Segment	1	\$5.36
12	12720	SS Body Screws	10	\$3.44

REPLACEMENT PARTS 3" POLY MANIFOLD PUMPS				
ITEM	PART NO	DESCRIPTION	QTY	PRICE
13	V07018	SS Lock Washers	10	\$0.44
14	V07019	SS Body Nuts	10	\$0.44
15	12902A	Impeller Key	1	\$1.61
16	12710	O-Ring for Seal Assembly	1	\$3.37
17	12715A	SS Bracket Screws	4	\$3.84
18	12775A	Impeller Hex Nut	1	\$13.80
19	12716	Poly Pump Slinger	1	\$5.36
20	12765A	SS Impeller Bolt $\frac{5}{16} \times 24 \times 1.12$ (M300PH-6 & M300P6PRO)	1	\$17.26
20	13765	SS Impeller Bolt (300P11PRO)	1	\$17.26
21	13771	4 Vane Trimmed Impeller	1	\$58.24
22	12703A	Poly Pump Rear Bracket	1	\$91.19

3" Polypropylene Manifold Wet Seal Pumps with Gas Engines

FEATURES

- New Compact Design!
- Run Dry Capability!
- Double seal contained in ethylene glycol reservoir.
Carbon Ceramic seal faces with stainless steel cup & spring with EPDM rubber.
- Pump end separated from engine.
- Large weep holes between pump end and engine.
- "V" shaped for quicker priming.

**Run Dry
Capability!**

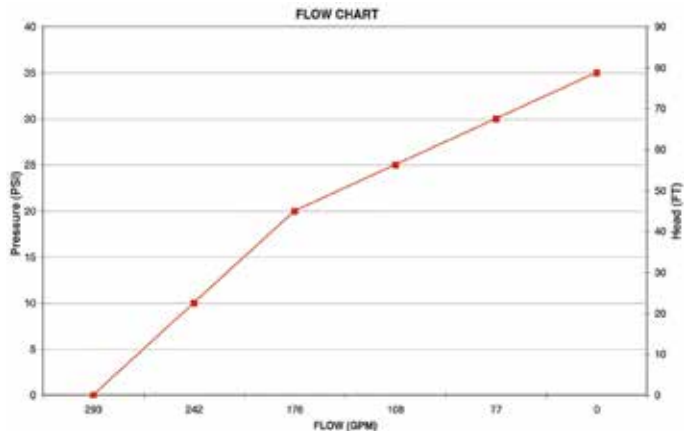


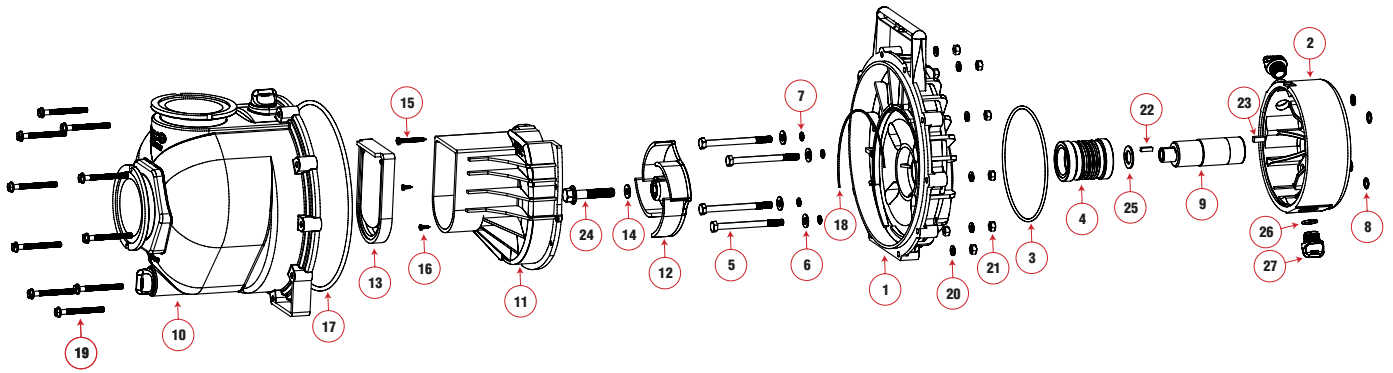
**NEW!
Seal reservoir
Double Seals!**

3" POLY MANIFOLD WET SEAL PUMPS W/GAS ENGINES				
PART NO	DESCRIPTION	HP	QTY	PRICE
M300PH6W	3" Poly Manifold Wet Seal Pump w/6.0 HP Honda® Engine	6.0	1	\$2,510.54
M300PH11W	3" Poly Manifold Wet Seal Pump w/11 HP Honda® Engine w/Electric Start & Pull Rope	11	1	\$2,702.96
M300PH11PROW	3" Poly Wet Seal Pump w/11 HP Briggs&Stratton® Engine Pro Series w/Electric Start & Pull Rope	11	1	\$2,623.95

3" POLY MANIFOLD WET SEAL BEARING PEDESTAL				
PART NO	DESCRIPTION	HP	QTY	PRICE
M300PBW	3" Poly Manifold Wet Seal Bearing Pedestal w/ 3/4" Shaft & 4 Vane Impeller	N/A	1	\$1,443.58

DO NOT USE WITH FLAMMABLE LIQUIDS.





REPLACEMENT PARTS 3" POLY WET SEAL PUMPS				
ITEM	PART NO	DESCRIPTION	QTY	PRICE
1	12703AW	Wet Seal Rear Bracket for 11 HP Honda® Engine & 11 HP Briggs & Stratton® Engine	1	\$97.83
1	12707W	Wet Seal Rear Bracket for 6 HP Honda® Engine, 6 HP Briggs & Stratton® Engine & Bearing Pedestal	1	\$72.15
2	12201W	Wet Seal Reservoir for 11 HP Honda® Engine & 11 HP Briggs & Stratton® Engine	1	\$71.96
2	12202W	Wet Seal Reservoir for 6 HP Honda® Engine, 6 HP Briggs & Stratton® Engine & Bearing Pedestal	1	\$84.37
3	13719	O-Ring	1	\$2.74
4	15035E	Mechanical Seal Assembly EPDM	1	\$231.11
5	12034	5/16" - 24 x 3 3/4" HHCS	4	\$8.86
6	12901	5/16" Flat Washer	4	\$0.46
7	12717	O-Ring for Bracket Screw	4	\$0.68
8	12709	O-Ring	4	\$0.72
9	13155	Adapter Shaft for 11 HP Honda® Engine & 11 HP Briggs & Stratton® Engine	1	\$114.13
9	12155	Adapter Shaft for 6 HP Honda® Engine, 6 HP Briggs & Stratton® Engine & Bearing Pedestal	1	\$134.52
10	M13712	Body Assembly	1	\$218.48
11	13702	Volute	1	\$73.57
12	13772	Impeller	1	\$58.24

REPLACEMENT PARTS 3" POLY WET SEAL PUMPS				
ITEM	PART NO	DESCRIPTION	QTY	PRICE
13	12705	Check Valve	1	\$15.77
14	12774VA	Impeller Bolt Gasket	1	\$1.45
15	12900	#10 x 1 1/2" PPH SMS 18-8 SS	1	\$1.53
16	12725	#6 x 1 1/2" PPH SMS 18-8 SS	1	\$3.44
17	12719A	Body O-Ring	1	\$13.80
18	12754	O-Ring Segment	1	\$5.36
19	12720	1/4" - 20 x 2 1/2" SI Ind HWHS	10	\$3.44
20	V07018	1/4" Lock Washer	10	\$0.44
21	V07019	1/4" - 20 Hex Nut	10	\$0.44
22	12902A	3/16" SQ. x 5/8" Key	1	\$1.61
23	16901	1/4" SQ. 3/4" Key Stock	1	\$3.20
24	14766	7/16" - 20 x 2 1/2" HFS for 11 HP Honda® Engine & 11 HP Briggs & Stratton® Engine	1	\$11.31
24	12766	5/16" - 24 x 3 1/4" HFS for 6 HP Honda® Engine, 6 HP Briggs & Stratton® Engine & Bearing Pedestal	1	\$6.73
25	CV10175	Gasket	1	\$1.36
26	UV15163	O-Ring	2	\$0.46
27	12777	Drain Plug	2	\$2.33

1½" Cast Iron Pumps

FEATURES

- Cast iron construction for rugged dependable service.
- Stainless steel shaft sleeve to protect engine shaft.
- Carbon ceramic seal with stainless steel cup and spring with FKM (viton type) rubber.
- Replaceable inlet and outlet flanges.
- Dynamically balanced impeller.

FEATURES

- Pump Only packs complete and ready for attachment to gasoline engine.
- Pedestal pump for long coupling to electric motor.

IMPORTANT

- Recommended horsepower, listed below, is for water only. Heavier fluids may require additional horsepower or a trimmed impeller.



1½" CAST IRON PUMPS W/GAS ENGINES				
PART NO	DESCRIPTION	HP	QTY	PRICE
150PI-3	1½" Cast Iron Pump w/3.5 HP Briggs & Stratton® Engine	3.5	1	\$1,315.87



1½" CAST IRON BEARING PEDESTAL				
PART NO	DESCRIPTION	HP	QTY	PRICE
150PBI	1½" Cast Iron Bearing Pedestal w/ ¾" Straight Shaft*	N/A	1	\$1,040.47

CAUTION-WARNING: Please do not run pump dry, restrict or reduce port sizes, or dead head pump. This could cause component failure to pump.

DO NOT USE WITH FLAMMABLE LIQUIDS.

NOTE: Engine warranty service available at authorized Briggs & Stratton and Honda dealers.

SHIPPING: Pumps are truck shipments only.

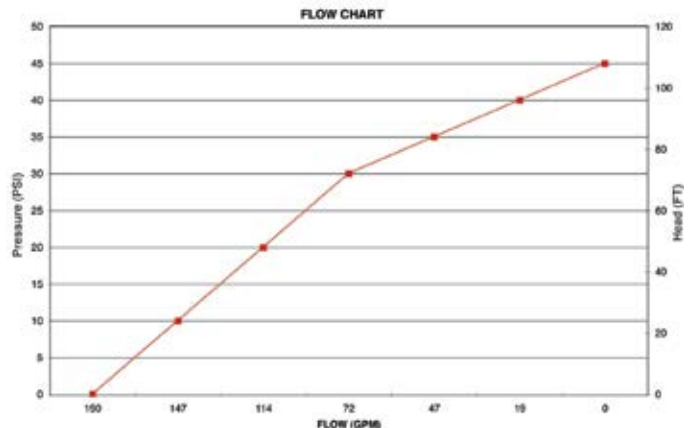


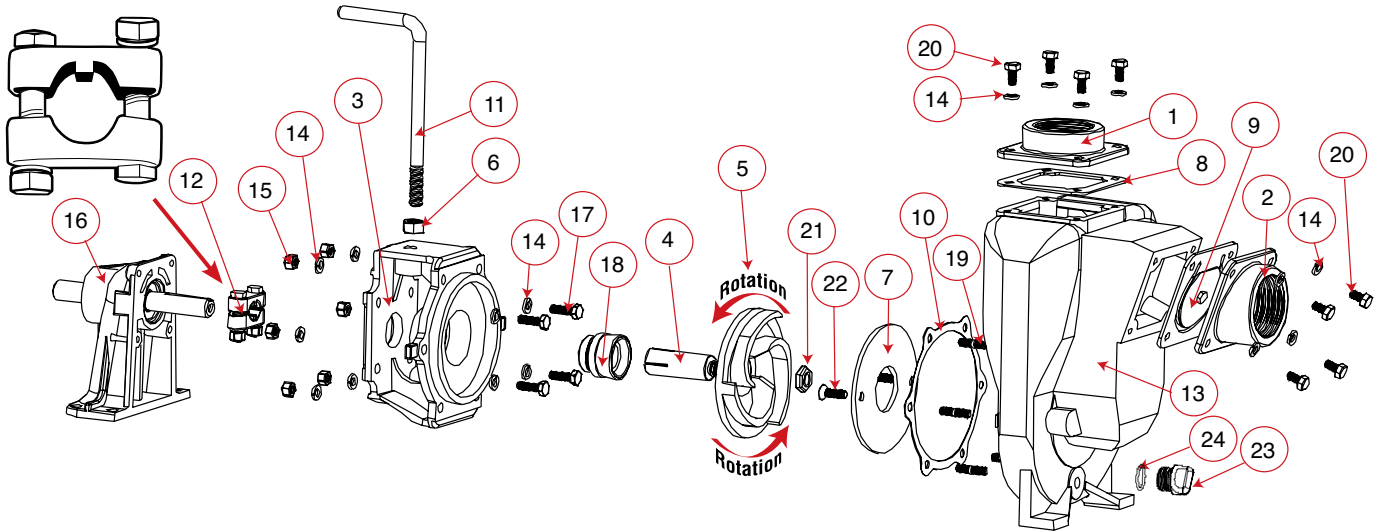
1½" CAST IRON PUMP ONLY				
PART NO	DESCRIPTION	HP	QTY	PRICE
150POI	1½" Cast Iron Pump Only w/ ¾" Shaft Sleeve	N/A	1	\$761.99

1½" CAST IRON C-FLANGE PUMPS				
PART NO	DESCRIPTION	HP	QTY	PRICE
150POICF5/8	1½" Cast Iron C-Flange Pump w/ 5/8" Shaft Sleeve*	N/A	1	\$844.60
150POICF5/8-4.1	1½" Cast Iron C-Flange Pump w/ 5/8" Shaft Sleeve* & 4.1 Impeller	N/A	1	\$844.60
150POICF5/8-4.6	1½" Cast Iron C-Flange Pump w/ 5/8" Shaft Sleeve* & 4.6 Impeller	N/A	1	\$844.60
150POICF7/8	1½" Cast Iron C-Flange Pump w/ 7/8" Shaft Sleeve*	N/A	1	\$844.60
150POICF7/8-4.1	1½" Cast Iron C-Flange Pump w/ 7/8" Shaft Sleeve* & 4.1 Impeller	N/A	1	\$844.60
150POICF7/8-4.6	1½" Cast Iron C-Flange Pump w/ 7/8" Shaft Sleeve* & 4.6 Impeller	N/A	1	\$844.60

* Recommendation for 5/8" Shaft: 56C Frame Size, 3 HP, 3450 RPM, & 5" Max Impeller for close coupling to electric motors.

7/8" Shaft: 145TC Frame Size, 3 HP, 3450 RPM, & 5" Max Impeller for close coupling to electric motors.





REPLACEMENT PARTS 1 1/2" CAST IRON PUMPS				
ITEM	PART NO	DESCRIPTION	QTY	PRICE
1	17001	Threaded Outlet Flange	1	\$24.92
2	17003	Threaded Inlet Flange	1	\$28.16
3	17004	Adapter for Gas Engine	1	\$99.43
3	17046	C-Flange Adapter	1	\$138.24
4	17005	5/8" Sleeve Drive for Electric Motor	1	\$94.03
4	17006*	3/4" Sleeve Drive	1	\$94.03
4	17007	7/8" Sleeve Drive for Electric Motor	1	\$94.03
5	17008*	5" Impeller	1	\$72.32
5	17008-4.6*	4.6" Trimmed Impeller	1	\$72.32
5	17008-4.1*	4.1" Trimmed Impeller	1	\$72.32
6	17010	1/2" Hex Nut	1	\$1.21
7	17011*	Wear Plate	1	\$38.56
8	17013	EPDM Gasket	1	\$6.34
9	17016	Check Valve Assembly	1	\$18.49
10	17018*	Gasket Adapter	1	\$6.82
11	15022	Handle	1	\$12.06
12	17023	5/8" Clamp for 3/4" Shaft Assembly (Old Style)	1	\$44.21
12	17123	5/8" Clamp for 3/4" Shaft Assembly (Keyed)	1	\$44.21
12	17024	7/8" Clamp for Shaft Assembly	1	\$44.21

REPLACEMENT PARTS 1 1/2" CAST IRON PUMPS				
ITEM	PART NO	DESCRIPTION	QTY	PRICE
13	17026	Pump Housing	1	\$245.30
14	V10118	5/16" Lock Washer	18	\$0.44
15	V10119	5/16" - 18 SS Hex Nut	6	\$0.58
N/S	12882R	Housing	1	\$105.77
N/S	12883R	Bearing Pedestal w/ 3/4" Shaft Only	1	\$104.22
N/S	12884	Internal Retaining Clip for Pedestal	1	\$3.84
N/S	12883B	Bearings	2	\$53.65
16	12882A	Complete Pedestal Assembly	1	\$222.27
17	17040	5/16" -24 x 1.00" Cap Screw	4	\$3.86
18	17028*	EPDM Seal Assembly	1	\$70.73
18	17035*	FKM (viton type) Seal Assembly	1	\$70.73
18	17035SD*	Severe Duty Seal	1	\$401.88
19	17042	Stud	6	\$2.02
20	17019	5/16"-18 x 3/4" Cap Screw	8	\$1.21
21	17009B	5/8" Impeller Nut	1	\$8.20
22	17130	5/16-18 x 1.00" FHSCS, 18-8 SS	2	\$2.52
23	12777	Plug	1	\$2.33
24	UV15163	O-Ring	1	\$0.46
N/S	17033	Z Rails (Pair)	1	\$28.96
N/S	17100	Repair Kit (Consists of items 4*, 5*, 7,10,18*)	1	\$243.54

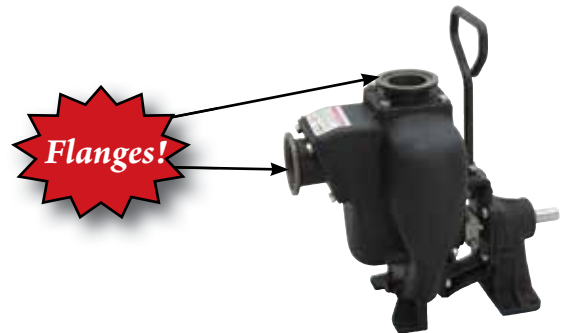
2" Cast Iron Pumps with Gas Engines

FEATURES

- Cast iron construction for rugged dependable service.
- Stainless steel shaft sleeve to protect engine shaft.
- Carbon ceramic seal with stainless steel cup and spring with FKM (viton type) rubber.
- Replaceable inlet and outlet flanges.
- Dynamically balanced impeller.



2" CAST IRON PUMPS W/GAS ENGINES				
PART NO	DESCRIPTION	HP	QTY	PRICE
200PI-3	2" Cast Iron Pump w/3.5 HP Briggs & Stratton® Engine	3.5	1	\$1,315.87
200PI6PRO	2" Cast Iron Pump w/6.5 HP Briggs & Stratton® Engine Pro Series	6.5	1	\$1,405.27
200PIH-5	2" Cast Iron Pump w/5.5 HP Honda® Engine	5.5	1	\$2,398.39
200PIH5E	2" Cast Iron Pump w/5.5 HP Honda® Engine w/ Electric Start	5.5	1	\$3,276.07



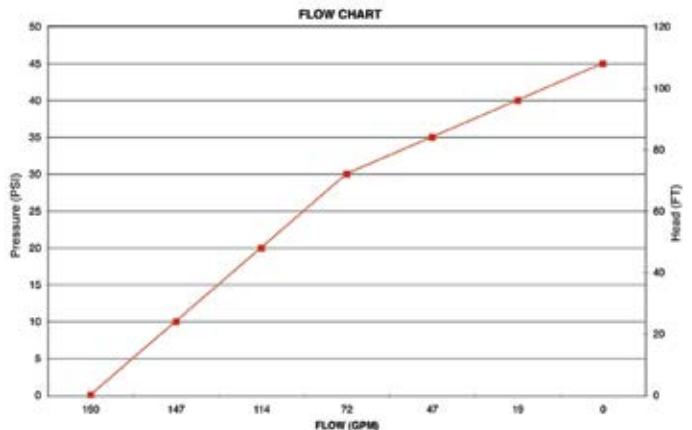
2" CAST IRON PUMP MANIFOLD FLANGES			
PART NO	DESCRIPTION	QTY	PRICE
M17000	2" Manifold Outlet Flange	1	\$28.16
M17002	2" Manifold Inlet Flange	1	\$28.16

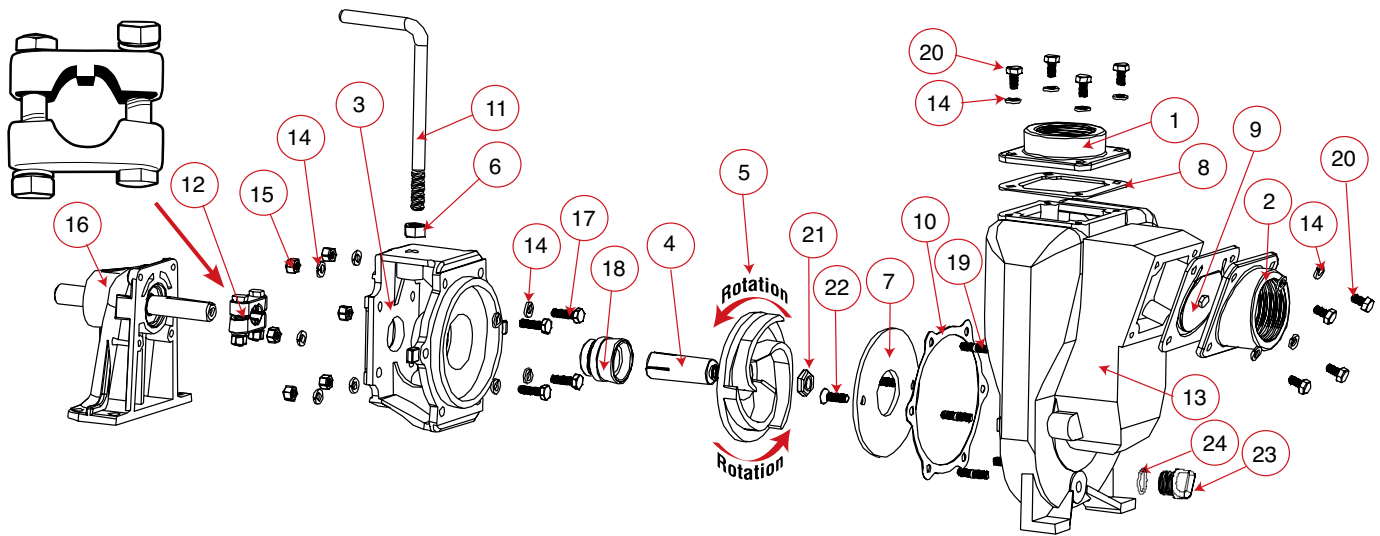
CAUTION-WARNING: Please do not run pump dry, restrict or reduce port sizes, or dead head pump. This could cause component failure to pump.

DO NOT USE WITH FLAMMABLE LIQUIDS.

NOTE: Engine warranty service available at authorized Briggs & Stratton and Honda dealers.

SHIPPING: Pumps are truck shipments only.





REPLACEMENT PARTS 2" CAST IRON PUMPS				
ITEM	PART NO	DESCRIPTION	QTY	PRICE
1	17000	Threaded Outlet Flange	1	\$24.92
1	M17000	2" Manifold Outlet Flange	1	\$28.16
2	17002	Threaded Inlet Flange	1	\$28.16
2	M17002	2" Manifold Inlet Flange	1	\$28.16
3	17004	Adapter for Gas Engine	1	\$99.43
3	17046	C-Flange Adapter	1	\$138.24
4	17005	5/8" Sleeve Drive for Electric Motor	1	\$94.03
4	17006*	3/4" Sleeve Drive	1	\$94.03
4	17007	7/8" Sleeve Drive for Electric Motor	1	\$94.03
5	17008*	5" Impeller	1	\$72.32
5	17008-4.6	4.6" Trimmed Impeller	1	\$72.32
5	17008-4.1	4.1" Trimmed Impeller	1	\$72.32
6	17010	1/2" Hex Nut	1	\$1.21
7	17011	Wear Plate	1	\$38.56
8	17013	EPDM Gasket	1	\$6.34
9	17016	Check Valve Assembly	1	\$18.49
10	17018	Gasket Adapter	1	\$6.82
11	15022	Handle	1	\$12.06
12	17023	5/8" Clamp for 3/4" Shaft Assembly (Old Style)	1	\$44.21
12	17123	5/8" Clamp for 3/4" Shaft Assembly (Keyed)	1	\$44.21
12	17024	7/8" Clamp for Shaft Assembly	1	\$44.21

REPLACEMENT PARTS 2" CAST IRON PUMPS				
ITEM	PART NO	DESCRIPTION	QTY	PRICE
13	17026	Pump Housing	1	\$245.30
14	V10118	5/16" Lock Washer	18	\$0.44
15	V10119	5/16" - 18 SS Hex Nut	6	\$0.58
N/S	12882R	Housing	1	\$105.77
N/S	12883R	Bearing Pedestal w/ 3/4" Shaft Only	1	\$104.22
N/S	12884	Internal Retaining Clip for Pedestal	1	\$3.84
N/S	12883B	Bearings	2	\$53.65
16	12882A	Complete Pedestal Assembly	1	\$222.27
17	17040	5/16" -24 x 1.00" Cap Screw	4	\$3.86
18	17028	EPDM Seal Assembly	1	\$70.73
18	17035*	FKM (viton type) Seal Assembly	1	\$70.73
18	17035SD	Severe Duty Seal	1	\$401.88
19	17042	Stud	6	\$2.02
20	17019	5/16"-18 x 3/4" Cap Screw	8	\$1.21
21	17009B	5/8" Impeller Nut	1	\$8.20
22	17130	5/16-18 x 1.00" FHSCS, 18-8 SS	2	\$2.52
23	12777	Plug	1	\$2.33
24	UV15163	O-Ring	1	\$0.46
N/S	17033	Z Rails (Pair)	1	\$28.96
N/S	17100	Repair Kit (Consists of items 4*, 5*, 7,10,18*)	1	\$243.54

SELF-PRIMING CENTRIFUGAL PUMPS

2" Cast Iron Pump Onlys & Bearing Pedestal Pumps

FEATURES

- Pump Only packs complete and ready for attachment to gasoline engine.
- Pedestal pump for long coupling to electric motor.

IMPORTANT

- Recommended horsepower, listed below, is for water only. Heavier fluids may require additional horsepower or a trimmed impeller.

CAUTION-WARNING: Please do not run pumps dry, restrict or reduce port sizes or dead head pumps. This could cause component failure to pump.

DO NOT USE WITH FLAMMABLE LIQUIDS.



2" CAST IRON PUMP ONLY				
PART NO	DESCRIPTION	HP	QTY	PRICE
200POI	2" Cast Iron Pump Only w/ 3/4" Shaft Sleeve	N/A	1	\$761.99

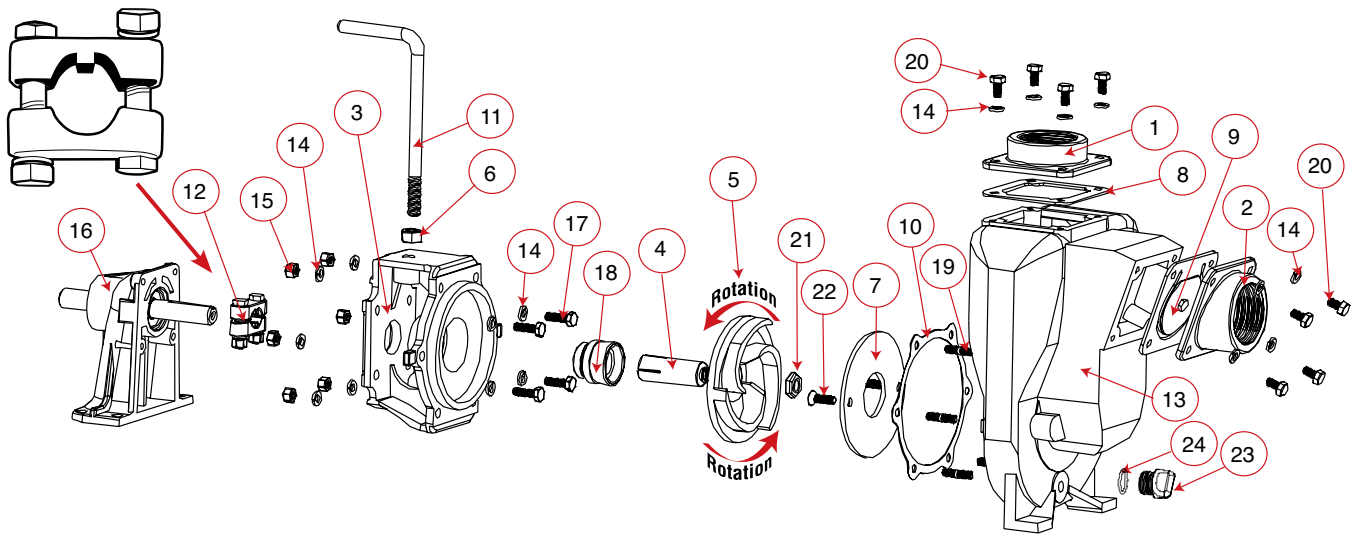
2" CAST IRON BEARING PEDESTAL				
PART NO	DESCRIPTION	HP	QTY	PRICE
200PBI	2" Cast Iron Bearing Pedestal w/ 3/4" Straight Shaft*	N/A	1	\$1,040.47

Note: *3/4" straight shaft for long coupling to electric motors

1 1/2" CAST IRON C-FLANGE PUMPS				
PART NO	DESCRIPTION	HP	QTY	PRICE
150POICF5/8	1 1/2" Cast Iron C-Flange Pump w/ 5/8" Shaft Sleeve*	N/A	1	\$844.60
150POICF5/8-4.1	1 1/2" Cast Iron C-Flange Pump w/ 5/8" Shaft Sleeve* & 4.1 Impeller	N/A	1	\$844.60
150POICF5/8-4.6	1 1/2" Cast Iron C-Flange Pump w/ 5/8" Shaft Sleeve* & 4.6 Impeller	N/A	1	\$844.60
150POICF7/8	1 1/2" Cast Iron C-Flange Pump w/ 7/8" Shaft Sleeve*	N/A	1	\$844.60
150POICF7/8-4.1	1 1/2" Cast Iron C-Flange Pump w/ 7/8" Shaft Sleeve* & 4.1 Impeller	N/A	1	\$844.60
150POICF7/8-4.6	1 1/2" Cast Iron C-Flange Pump w/ 7/8" Shaft Sleeve* & 4.6 Impeller	N/A	1	\$844.60

2" CAST IRON C-FLANGE PUMPS				
PART NO	DESCRIPTION	HP	QTY	PRICE
200POICF5/8	2" Cast Iron C-Flange Pump w/ 5/8" Shaft Sleeve*	N/A	1	\$844.60
200POICF5/8-4.1	2" Cast Iron C-Flange Pump w/ 5/8" Shaft Sleeve* & 4.1 Impeller	N/A	1	\$844.60
200POICF5/8-4.6	2" Cast Iron C-Flange Pump w/ 5/8" Shaft Sleeve* & 4.6 Impeller	N/A	1	\$844.60
200POICF7/8	2" Cast Iron C-Flange Pump w/ 7/8" Shaft Sleeve*	N/A	1	\$844.60
200POICF7/8-4.1	2" Cast Iron C-Flange Pump w/ 7/8" Shaft Sleeve* & 4.1 Impeller	N/A	1	\$844.60
200POICF7/8-4.6	2" Cast Iron C-Flange Pump w/ 7/8" Shaft Sleeve* & 4.6 Impeller	N/A	1	\$844.60

Note: * Recommendation for 5/8" Shaft: 56C Frame Size, 3 HP, 3450 RPM, & 5" Max Impeller for close coupling to electric motors.
7/8" Shaft: 145TC Frame Size, 3 HP, 3450 RPM, & 5" Max Impeller for close coupling to electric motors.



REPLACEMENT PARTS 2" CAST IRON PUMPS

ITEM	PART NO	DESCRIPTION	QTY	PRICE
1	17000	Threaded Outlet Flange	1	\$24.92
1	M17000	2" Manifold Outlet Flange	1	\$28.16
2	17002	Threaded Inlet Flange	1	\$28.16
2	M17002	2" Manifold Inlet Flange	1	\$28.16
3	17004	Adapter for Gas Engine	1	\$99.43
3	17046	C-Flange Adapter	1	\$138.24
4	17005	5/8" Sleeve Drive for Electric Motor	1	\$94.03
4	17006*	3/4" Sleeve Drive	1	\$94.03
4	17007	7/8" Sleeve Drive for Electric Motor	1	\$94.03
5	17008*	5" Impeller	1	\$72.32
5	17008-4.6	4.6" Trimmed Impeller	1	\$72.32
5	17008-4.1	4.1" Trimmed Impeller	1	\$72.32
6	17010	1/2" Hex Nut	1	\$1.21
7	17011	Wear Plate	1	\$38.56
8	17013	EPDM Gasket	1	\$6.34
9	17016	Check Valve Assembly	1	\$18.49
10	17018	Gasket Adapter	1	\$6.82
11	15022	Handle	1	\$12.06
12	17023	5/8" Clamp for 3/4" Shaft Assembly (Old Style)	1	\$44.21
12	17123	5/8" Clamp for 3/4" Shaft Assembly (Keyed)	1	\$44.21
12	17024	7/8" Clamp for Shaft Assembly	1	\$44.21

REPLACEMENT PARTS 2" CAST IRON PUMPS

ITEM	PART NO	DESCRIPTION	QTY	PRICE
13	17026	Pump Housing	1	\$245.30
14	V10118	5/16" Lock Washer	18	\$0.44
15	V10119	5/16" - 18 SS Hex Nut	6	\$0.58
N/S	12882R	Housing	1	\$105.77
N/S	12883R	Bearing Pedestal w/ 3/4" Shaft Only	1	\$104.22
N/S	12884	Internal Retaining Clip for Pedestal	1	\$3.84
N/S	12883B	Bearings	2	\$53.65
16	12882A	Complete Pedestal Assembly	1	\$222.27
17	17040	5/16" -24 x 1.00" Cap Screw	4	\$3.86
18	17028	EPDM Seal Assembly	1	\$70.73
18	17035*	FKM (viton type) Seal Assembly	1	\$70.73
18	17035SD	Severe Duty Seal	1	\$401.88
19	17042	Stud	6	\$2.02
20	17019	5/16"-18 x 3/4" Cap Screw	8	\$1.21
21	17009B	5/8" Impeller Nut	1	\$8.20
22	17130	5/16-18 x 1.00" FHSCS, 18-8 SS	2	\$2.52
23	12777	Plug	1	\$2.33
24	UV15163	O-Ring	1	\$0.46
N/S	17033	Z Rails (Pair)	1	\$28.96
N/S	17100	Repair Kit (Consists of items 4*, 5*, 7,10,18*)	1	\$243.54



UNIVERSAL BASE PLATE ASSEMBLY

PART NO	DESCRIPTION	QTY	PRICE
18700	Base Plate Assembly for 1 1/2", 2" & 3" Cast Iron or Poly Pump (Plate, Coupling Guard, Bolt Bag & Shims)	1	\$464.78
18702	Replacement Coupling Guard	1	\$33.74

SELF-PRIMING CENTRIFUGAL PUMPS

2" Wet Seal Cast Iron Pump

FEATURES

- Run Dry Capability!
- FKM (viton type) double seal contained in ethylene glycol reservoir.
- Dynamically balanced impeller.
- All stainless steel hardware.
- Available in cast iron or 316 stainless steel, with bearing pedestal, gas engine or pump only.

Pump Seal & Engine Protection

Run Dry Capability!



Seal reservoir double seals!

*See page 183 for available base plate.

2" CAST IRON WET SEAL PUMPS W/GAS ENGINES				
PART NO	DESCRIPTION	HP	QTY	PRICE
201PIH5W	2" Cast Iron Wet Seal Pump w/5.5 HP Honda® Engine	5.5	1	\$2,794.98
201PI6PROW	2" Cast Iron Wet Seal Pump w/6.5 HP Briggs & Stratton® Engine Pro Series	6.5	1	\$2,254.10

Truck shipments only.



Bearing Pedestal
3/4" shaft for electric motors



Pump Only
for gas engine

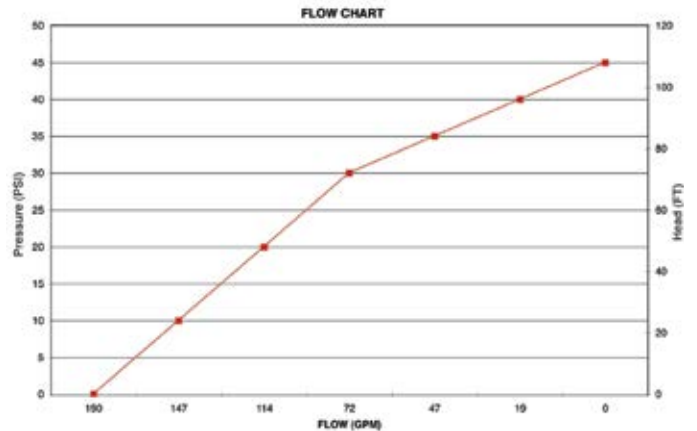
POLYETHYLENE SUCTION BASKET STRAINER				
PART NO	DESCRIPTION	QTY	PRICE	
150SBS	1 1/2" Female Thread Poly Basket	1	\$15.77	
200SBS	2" Female Thread Poly Basket	1	\$15.77	
300SBS	3" Female Thread Poly Basket	1	\$35.57	

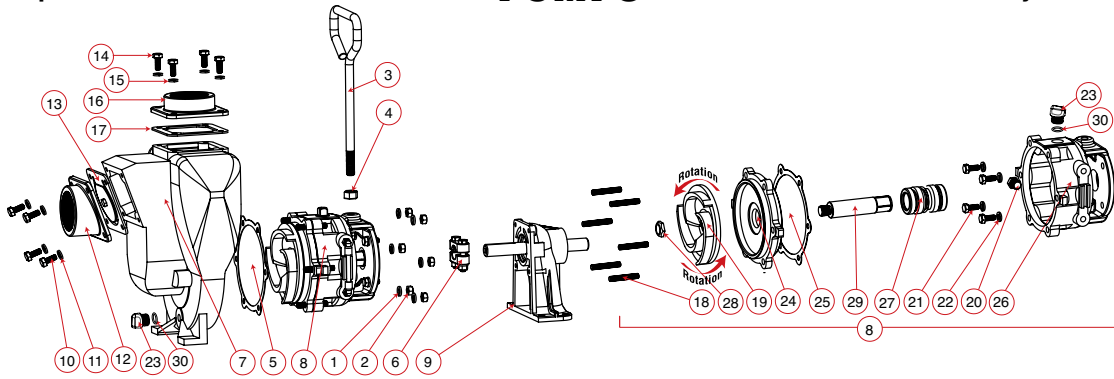


2" CAST IRON WET SEAL BEARING PEDESTALS				
PART NO	DESCRIPTION	HP	QTY	PRICE
201PBIW	2" Cast Iron Wet Seal Pump w/Bearing Pedestal	N/A	1	\$1,473.19

2" CAST IRON WET SEAL PUMP ONLYS				
PART NO	DESCRIPTION	HP	QTY	PRICE
201POIW	2" Cast Iron Wet Seal Pump Only	N/A	1	\$1,251.93

DO NOT USE WITH FLAMMABLE LIQUIDS.



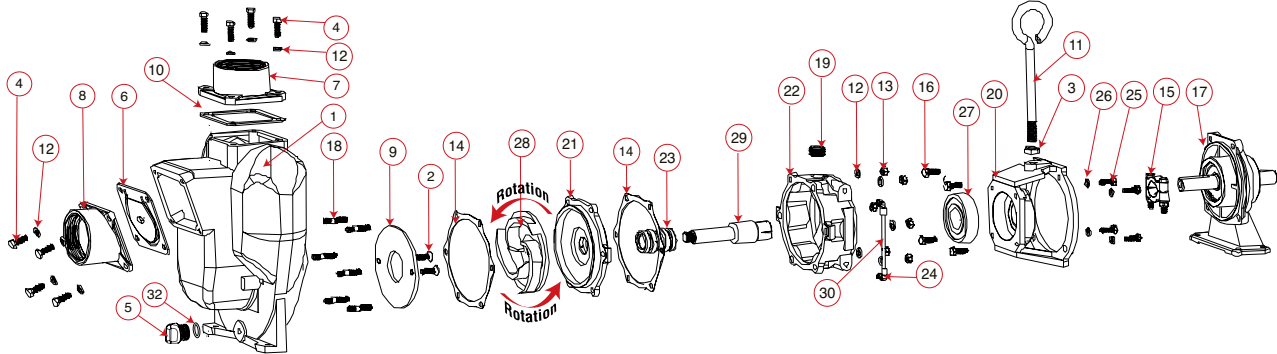


REPLACEMENT PARTS 2" CAST IRON WET SEAL PUMPS (NEW STYLE)

ITEM	PART NO	DESCRIPTION	QTY	PRICE
1	V10118	5/16" Lock Washer	6	\$0.44
2	V10119	5/16" -18 Hex Nut	6	\$0.58
3	15022	Handle	1	\$12.06
4	17010	1/2" Hex Nut	1	\$1.21
5	17018	Gasket Adapter	1	\$6.82
6	17123	5/8" Clamp, 3/4" Shaft Assembly Keyed	1	\$44.21
7	17226	Pump Housing	1	\$245.30
8	17200A	Wet Seal Assembly	1	\$1,035.20
9	12882A	Bearing Pedestal	1	\$222.27
10	17019	5/16"-18 x 3/4" HHCS	4	\$1.21
11	V10118	5/16" Lock Washer	4	\$0.44
12	17002	Inlet Flange	1	\$28.16
13	17016	EPDM Check Valve Gasket Assembly	1	\$18.49
14	17019	5/16" -18 x 3/4" HHCS	4	\$1.21
15	V10118	5/16" Lock Washer	4	\$0.44

REPLACEMENT PARTS 2" CAST IRON WET SEAL PUMPS (NEW STYLE)

ITEM	PART NO	DESCRIPTION	QTY	PRICE
16	17000	Outlet Flange	1	\$24.92
17	17013	EPDM Outlet Gasket	1	\$6.34
18	17242	Housing Stud	6	\$6.04
19	17208	Impeller	1	\$76.35
20	17032	Pipe Plug	1	\$2.17
21	17019	5/16"-18 x 3/4" Cap Screw	4	\$1.21
22	V10118	5/16" Lock Washer	4	\$0.44
23	12777	Fill Plug	2	\$2.33
24	17202	Cover Plate	1	\$70.73
25	17018	Gasket Adapter	1	\$6.82
26	17201A	Reservoir	1	\$113.33
27	17235	FKM (viton type) Mechanical Seal Assembly	1	\$157.53
28	17009B	5/8" Impeller Nut	1	\$8.20
29	17206A	Adapter Shaft	1	\$81.99
30	UV15163	O-Ring	2	\$0.46



REPLACEMENT PARTS 2" CAST IRON WET SEAL PUMPS (OLD STYLE)

ITEM	PART NO	DESCRIPTION	QTY	PRICE
1	17026	Pump Housing	1	\$245.30
2	17130	5/16-18 x 1.00" FHSCS, 18-8 SS	2	\$2.52
3	17010	1/2" Hex Nut	1	\$1.21
4	17019	5/16" Cap Screw	8	\$1.21
5	12777	Drain Plug	1	\$2.33
6	17016	EPDM Gasket	1	\$18.49
7	17000	2" Outlet Flange	1	\$24.92
8	17002	2" Inlet Flange	1	\$28.16
9	17011	Wear Plate	1	\$38.56
10	17013	EPDM Outlet Gasket	1	\$6.34
11	15022	Handle	1	\$12.06
12	V10118	5/16" Lock Washer	18	\$0.44
13	V10119	5/16" -18 SS Hex Nut	8	\$0.58
14	17018	Gasket Adapter	2	\$6.82
15	17023	5/8" Clamp for 3/4" Shaft Assembly	1	\$44.21
15	17123	5/8" Clamp for 3/4" Shaft Assembly Keyed	1	\$44.21
15	17024	7/8" Clamp Shaft Assembly	1	\$44.21

REPLACEMENT PARTS 2" CAST IRON WET SEAL PUMPS (OLD STYLE)

ITEM	PART NO	DESCRIPTION	QTY	PRICE
16	17040	5/16" -24 x 1" HHCS	4	\$3.86
17	12882A	Bearing Pedestal	1	\$222.27
18	17242	Housing Stud	6	\$6.04
19	17210	1/2" Fill Plug	1	\$2.91
20	17203A	Wet Seal Adapter	1	\$70.91
21	17202	Cover Plate	1	\$70.73
22	17201	Reservoir	1	\$113.33
23	17235	FKM (viton type) Seal Assembly	1	\$157.53
24	17211	3/16" Legris Male Elbow	2	\$18.49
25	17019	5/16" - 18 x 3/4" Bolt	4	\$1.21
26	V10118	5/16" Lock Washer	4	\$0.44
27	12213A	Bearing	1	\$207.27
28	17208	Impeller	1	\$76.35
29	17206	3/4" Sleeve Drive	1	\$81.99
30	17212	Liquid Level Tube	1	\$1.94
32	UV15163	O-Ring	1	\$0.46
N/S	17100W	Pump Repair Kit(Consist of 2, 9, 23, 28-30)	1	\$398.68

2" Cast Iron Pumps with Electric Motors

FEATURES

- Cast iron construction for rugged dependable service.
- Stainless steel shaft sleeve to protect engine shaft.
- Carbon ceramic seal with stainless steel cup and spring with FKM (viton type) rubber.
- Replaceable inlet and outlet flanges.
- Dynamically balanced impeller.

CAUTION-WARNING: Please do not run pumps dry, restrict or reduce port sizes or dead head pumps. This could cause component failure to pump.

DO NOT USE WITH FLAMMABLE LIQUIDS.



2" CAST IRON PUMPS W/ELECTRIC MOTORS				
PART NO	DESCRIPTION	HP	QTY	PRICE
234PIE3	2" Cast Iron Pump w/3.0 HP Three Phase Electric Motor	3.0	1	\$2,451.61
234PIE5	2" Cast Iron Pump w/5.0 HP Three Phase Electric Motor	5.0	1	\$2,883.55
234PIE51	2" Cast Iron Pump w/5.0 HP Single Phase Electric Motor	5.0	1	\$3,673.93

2" CAST IRON PUMP ONLY				
PART NO	DESCRIPTION	HP	QTY	PRICE
234POI	2" Cast Iron Pump Only w/ 184TC Frame Adapter	N/A	1	\$1,260.80

NOTE: Truck shipments only. Motor warranty service available at authorized dealers.

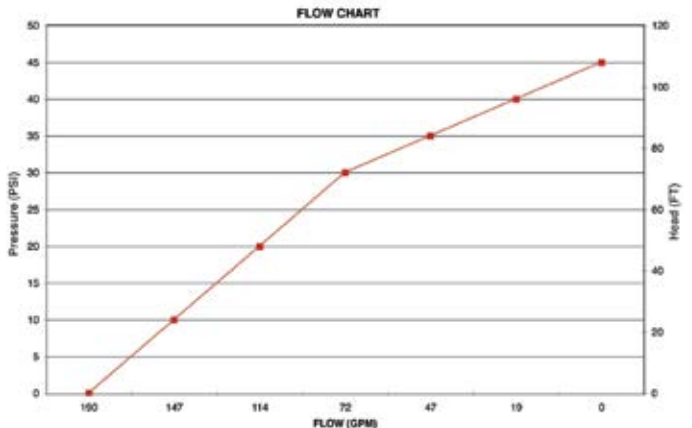
COMPLETE PUMP WITH EFFICIENT INDUSTRIAL ELECTRIC MOTORS!

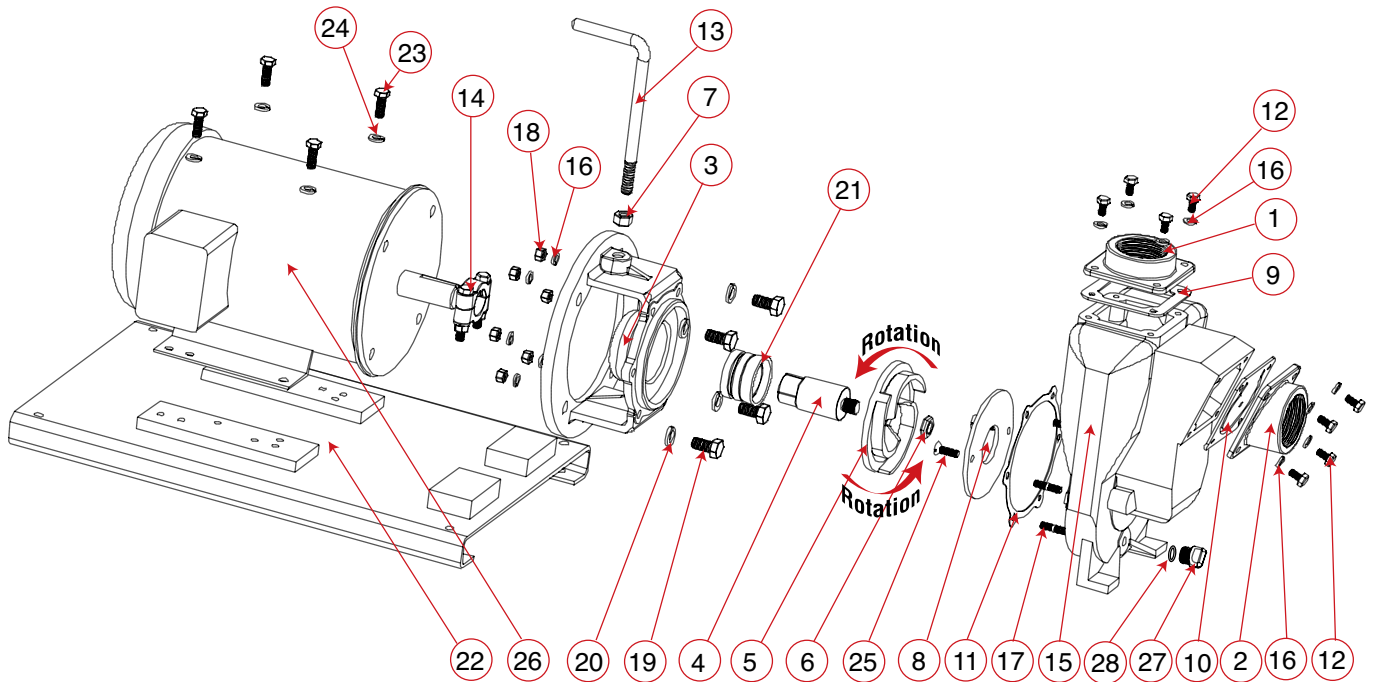
MOTOR FEATURES:

- Pressure cast aluminum end plates with ribbed design for rigidity.
- Ball bearings, locked drive end bearing.
- Heavy gauge steel frame.
- Motors wound with inverter spike resistance magnet wire.
- Mounted complete on heavy duty cast iron base plate.
- 230 V Motors.



POLYETHYLENE SUCTION BASKET STRAINER				
PART NO	DESCRIPTION	QTY	PRICE	
150SBS	1 1/2" Female Thread Poly Basket	1	\$15.77	
200SBS	2" Female Thread Poly Basket	1	\$15.77	
300SBS	3" Female Thread Poly Basket	1	\$35.57	





SELF-PRIMING CENTRIFUGAL PUMPS

REPLACEMENT PARTS 234PIE3				
ITEM	PART NO	DESCRIPTION	QTY	PRICE
1	17000	Outlet Flange	1	\$24.92
2	17002	Inlet Flange	1	\$28.16
3	17046	C-Flange Adapter	1	\$138.24
4	17007	Impeller Shaft	1	\$94.03
5	17008	Impeller	1	\$72.32
6	17009B	5/8" Impeller Nut	1	\$8.20
7	17010	1/2" Hex Nut	1	\$1.21
8	17011	Wear Plate	1	\$38.56
9	17013	Outlet Gasket	1	\$6.34
10	17016	Gasket & Check Valve	1	\$18.49
11	17018	Gasket Adapter	1	\$6.82
12	17019	Bolt	8	\$1.21
13	15022	Handle	1	\$12.06
14	17024	Clamp Assembly w/Key	1	\$44.21
15	17026	Pump Housing	1	\$245.30
16	V10118	5/16" Lock Washer	20	\$0.44
17	17042	Housing Stud	6	\$2.02
18	V10119	Hex Nut	8	\$0.58
19	17449	Bolt	4	\$3.20
20	18058	Washer	4	\$0.73
21	17035	Seal Assembly	1	\$70.73
22	17701	Base Plate Assembly	1	\$289.35
23	17704	Bolt	4	\$3.20
24	V20018	3/8" Lock Washer	4	\$0.44
25	17130	5/16-18 x 1.00" FHSCS, 18-8 SS	2	\$2.52
26	BEM3	Electric Motor	1	\$1,302.08
27	12777	Drain Plug	1	\$2.33
28	UV15163	O-Ring for Drain Plug	1	\$0.46

REPLACEMENT PARTS 234PIE5 & 234PIE51				
ITEM	PART NO	DESCRIPTION	QTY	PRICE
1	17000	Outlet Flange	1	\$24.92
2	17002	Inlet Flange	1	\$28.16
3	17446	C-Flange Adapter	1	\$208.99
4	17406	Impeller Shaft	1	\$136.66
5	17408	Impeller	1	\$138.24
6	17009B	5/8" Impeller Nut	1	\$8.20
7	17010	1/2" Hex Nut	1	\$1.21
8	17011	Wear Plate	1	\$38.56
9	17013	Outlet Gasket	1	\$6.34
10	17016	Gasket & Check Valve	1	\$18.49
11	17018	Gasket Adapter	1	\$6.82
12	17019	Bolt	8	\$1.21
13	15022	Handle	1	\$12.06
14	18129	Clamp Assembly w/Key	1	\$51.45
15	17026	Pump Housing	1	\$245.30
16	V10118	5/16" Lock Washer	20	\$0.44
17	17042	Housing Stud	6	\$2.02
18	V10119	Hex Nut	8	\$0.58
19	17449	Bolt	4	\$3.20
20	18058	Washer	4	\$0.73
21	18025	Seal Assembly	1	\$116.54
22	17701	Base Plate Assembly	1	\$289.35
23	17704	Bolt	4	\$3.20
24	V20018	3/8" Lock Washer	4	\$0.44
25	17130	5/16-18 x 1.00" FHSCS, 18-8 SS	2	\$2.52
26	BEM5	Electric Motor	1	\$1,575.35
26	BEM51	Electric Motor	1	\$2,250.51
27	12777	Drain Plug	1	\$2.33
28	UV15163	O-Ring for Drain Plug	1	\$0.46

1½" & 2" Cast Iron Pumps with Hydraulic Motors

PUMP FEATURES

- Rugged construction for dependable service.
- Carbon ceramic seal with stainless steel cup and spring with FKM (viton type) rubber.
- Replaceable inlet and outlet flanges.
- Dynamically balanced impeller.

HYDRAULIC MOTOR FEATURES

- Hydraulic fluid capacity
Minimum 6 Gallons / Maximum 10 Gallons.
- 12 H.P. Motor.
- Open or closed system.
- Minimum 500 P.S.I. / Maximum 2000 P.S.I.

CAUTION-WARNING: Please do not run pumps dry, restrict or reduce port sizes or dead head pumps. This could cause component failure to pump.

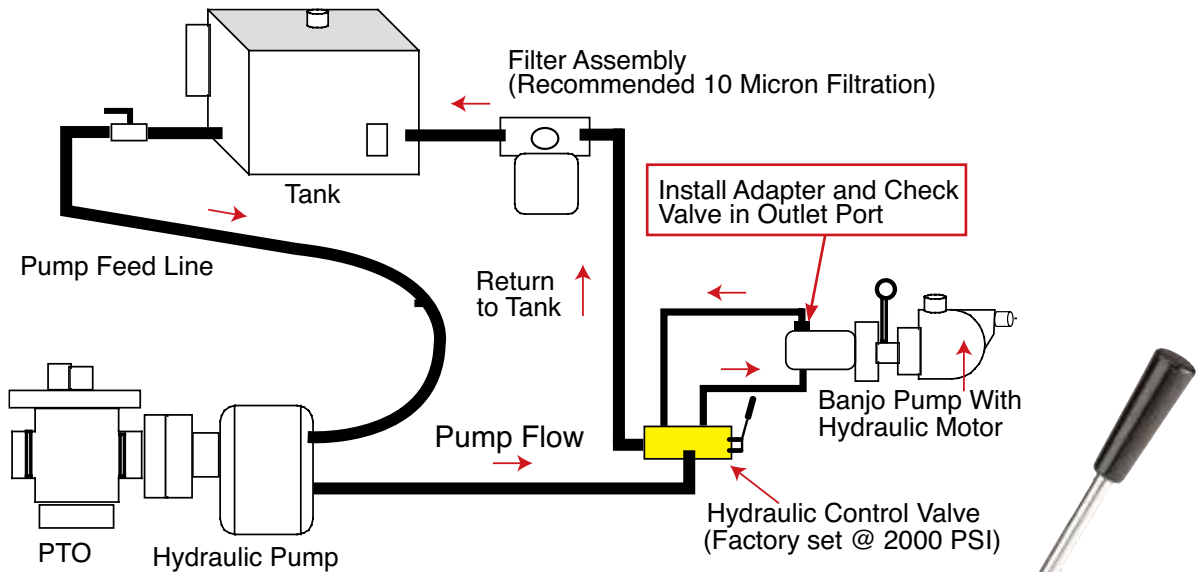
DO NOT USE WITH FLAMMABLE LIQUIDS.



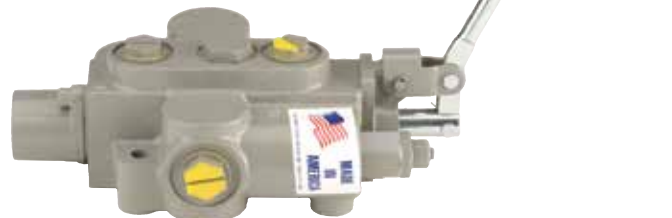
1½" CAST IRON HYDRAULIC PUMPS				
PART NO	DESCRIPTION	HP	QTY	PRICE
150PIHY	1½" Cast Iron Pump w/12 HP Hydraulic Motor	12	1	\$2,490.94

2" CAST IRON HYDRAULIC PUMPS				
PART NO	DESCRIPTION	HP	QTY	PRICE
200PIHY	2" Cast Iron Pump w/12 HP Hydraulic Motor	12	1	\$2,490.94
200PIHA	2" Cast Iron Pump Only without Motor	N/A	1	\$948.43

SPOOL VALVE ASSEMBLY DIAGRAM

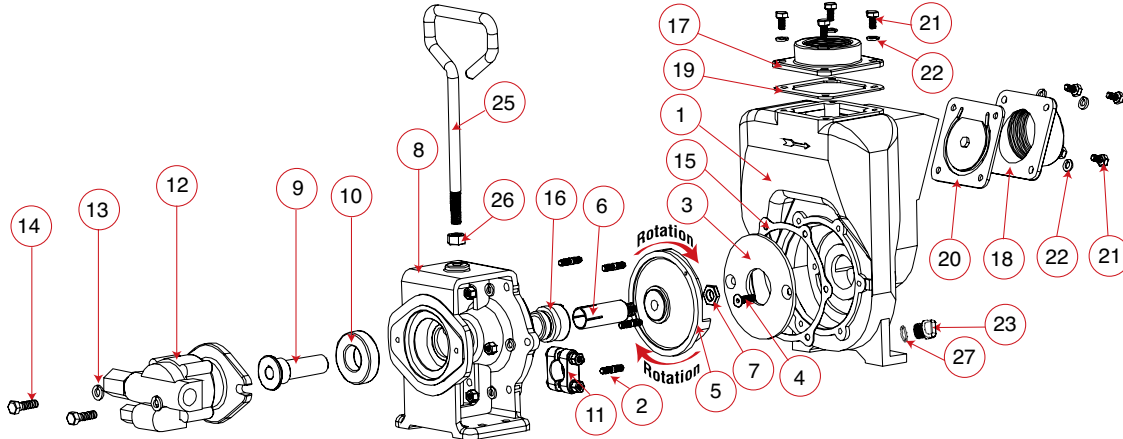


Recommendation:
We recommend using the motor spool control valve or a suitable equivalent. The lack of such a valve in this circuit may cause failure to the hydraulic motor.



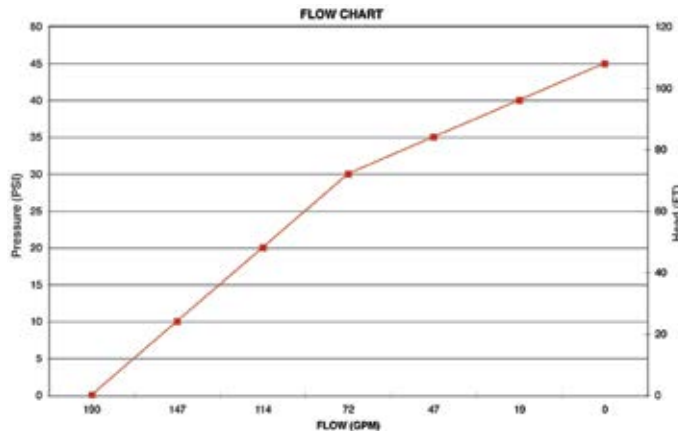
HYDRAULIC MOTOR SPOOL VALVE				
PART NO	DESCRIPTION	HP	QTY	PRICE
HSV1000	Hydraulic Motor Spool Valve	N/A	1	\$675.45



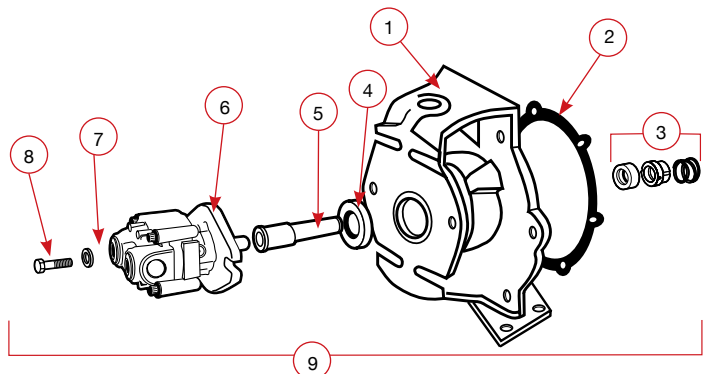


HYDRAULIC MOTOR DATA	
U.S. Gallons/Rev.	0.0025
Cubic Inches/Rev.	0.580
Liters/Rev.	0.0097
Max Hydraulic Pressure	2000 PSI
Min Hydraulic Pressure	200 PSI
Inlet Port	SAE 10 (7/8-14 UNF-2B)
Outlet Port	SAE 10 (7/8-14 UNF-2B)
Minimum GPM Required	6 GPM 2400 RPM
Maximum GPM Required	10 GPM 4000 RPM
Ideal GPM Required	9 GPM 3600 RPM
CONNECTION INFORMATION	
Inlet	"A" Port
Outlet	"B" Port
Supplied check valve is to ensure proper rotation of the Banjo pump. Place check valve in outlet port (marked "B") for proper right hand rotation.	
SPOOL VALVE INFORMATION	
Required Outlet Flow	Min 8 GPM / Max 13 GPM
Required System Pressure	Min 600 PSI / Max 3000 PSI

REPLACEMENT PARTS 1½" & 2" CAST IRON PUMPS				
ITEM	PART NO	DESCRIPTION	QTY	PRICE
1	17026	Pump Housing	1	\$245.30
2	17042	Pump Housing Stud	6	\$2.02
3	17011	Wear Plate	1	\$38.56
4	17130	5/16-18 x 1.00" FHSCS, 18-8 SS	2	\$2.52
5	17008	5" Impeller	1	\$72.32
6	17007	7/8" Sleeve Drive for Hydraulic Motor	1	\$94.03
7	17009B	5/8" Impeller Nut	1	\$8.20
8	17049A	Hydraulic Adapter	1	\$295.15
9	17055A	Hydraulic Adapter Shaft	1	\$124.62
10	17056	SKF 6206-2RS1 Bearing	1	\$43.41
11	17024	7/8" Clamp, no key	1	\$44.21
12	HY1013	MGG@0025BC1D3 Hydraulic Motor Assembly	1	\$1,315.58
13	V20018	3/8" Lock Washer	2	\$0.44
14	18010SS	3/8"-16 x 1.25" HHHCS	2	\$1.94
15	17018	Gasket Adapter	1	\$6.82
16	17028	EPDM Seal Assembly	1	\$70.73
16	17035	FKM (viton type) Seal Assembly	1	\$70.73
16	17035SD	Severe Duty Seal Assembly	1	\$401.88
17	17000	2" Outlet Flange	1	\$24.92
17	17001	1½" Outlet Flange	1	\$24.92
18	17002	2" Inlet Flange	1	\$28.16
18	17003	1½" Inlet Flange	1	\$28.16
19	17013	EPDM Gasket	1	\$6.34
20	17016	Gasket Check Valve Assembly	1	\$18.49
21	17019	5/16" -18 x 0.75" Cap Screw	8	\$1.21
22	V10118	5/16" Split Lock Washer	14	\$0.44
23	12777	Plug	1	\$2.33
24	V10119	5/16"-18 Hex Nut	6	\$0.58
25	15022	Handle	1	\$12.06
26	17010	½" Hex Nut - 13UNF-RH	1	\$1.21
27	UV15163	O-Ring	1	\$0.46



REPLACEMENT PARTS 1½" & 2" HYDRAULIC ADAPTER				
ITEM	PART NO	DESCRIPTION	QTY	PRICE
1	17049A	Hydraulic Motor Adapter	1	\$295.15
2	17018	Gasket Adapter	1	\$6.82
3	17035	Seal Assembly	1	\$70.73
N/S	17007	7/8" SS Shaft Sleeve	1	\$94.03
N/S	12214A	Shim	1	\$9.04
4	17056	SKF 6206-2RS1 Bearing	1	\$43.41
5	17055A	Hydraulic Adapter Shaft	1	\$124.62
6	HY1013	Gresen® Hydraulic Motor	1	\$1,315.58
7	V20018	Lock Washer	2	\$0.44
8	18010SS	Bolt	2	\$1.94
9	17600A	Hydraulic Motor Conversion Assembly	1	\$1,749.50
N/S	HY1003	Seal Kit	1	\$274.19



SELF-PRIMING CENTRIFUGAL PUMPS

2" 222 Series Cast Iron Pumps with Gas Engines

PUMP FEATURES

- Cast iron construction for rugged dependable service.
- Carbon ceramic seal with stainless steel cup and spring with FKM (viton type) rubber.
- Replaceable inlet and outlet flanges.
- Dynamically balanced impeller.
- Pump end separated from engine.
- Heavy duty slinger seal on motor shaft.
- Large weep holes between pump end and engine.
- "V" Shaped for quicker priming.



6.5 BRIGGS & STRATTON INTEK MOTOR FEATURES (RIGHT)

- Cast iron cylinder sleeve.
- Heavy duty flywheel.
- Overhead valve.
- High oil fill
- Oil Guard® low oil sensor.
- Breather through air cleaner.

HONDA ENGINE FEATURES (BELOW)

- GX Series commercial grade.
- Legendary reliability/durability.
- Powerful Overhead Valve (OHV).
- 2-year commercial and homeowner warranty.
- Industrial 2-stage air filter.
- Quiet, easy starting.
- Oil alert.



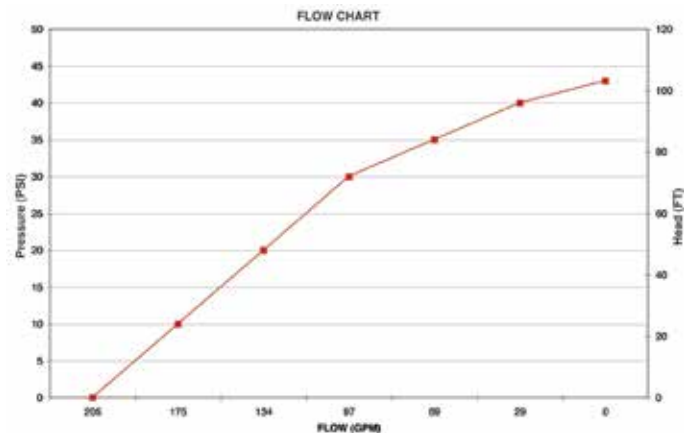
222 SERIES CAST IRON PUMPS W/GAS ENGINES				
PART NO	DESCRIPTION	HP	QTY	PRICE
222PIH5	2" Cast Iron Pump w/5.5 HP Honda® Engine	5.5	1	\$2,446.60
222PIH6	2" Cast Iron Pump w/6.5 HP Honda® Engine	6.5	1	\$2,628.24
222PIH5E	2" Cast Iron Pump w/5.5 HP Honda® Engine w/ Electric Start	5.5	1	\$3,054.90
222PI6PRO	2" Cast Iron Pump w/6.5 HP Briggs & Stratton® Engine Pro Series	6.5	1	\$1,522.41

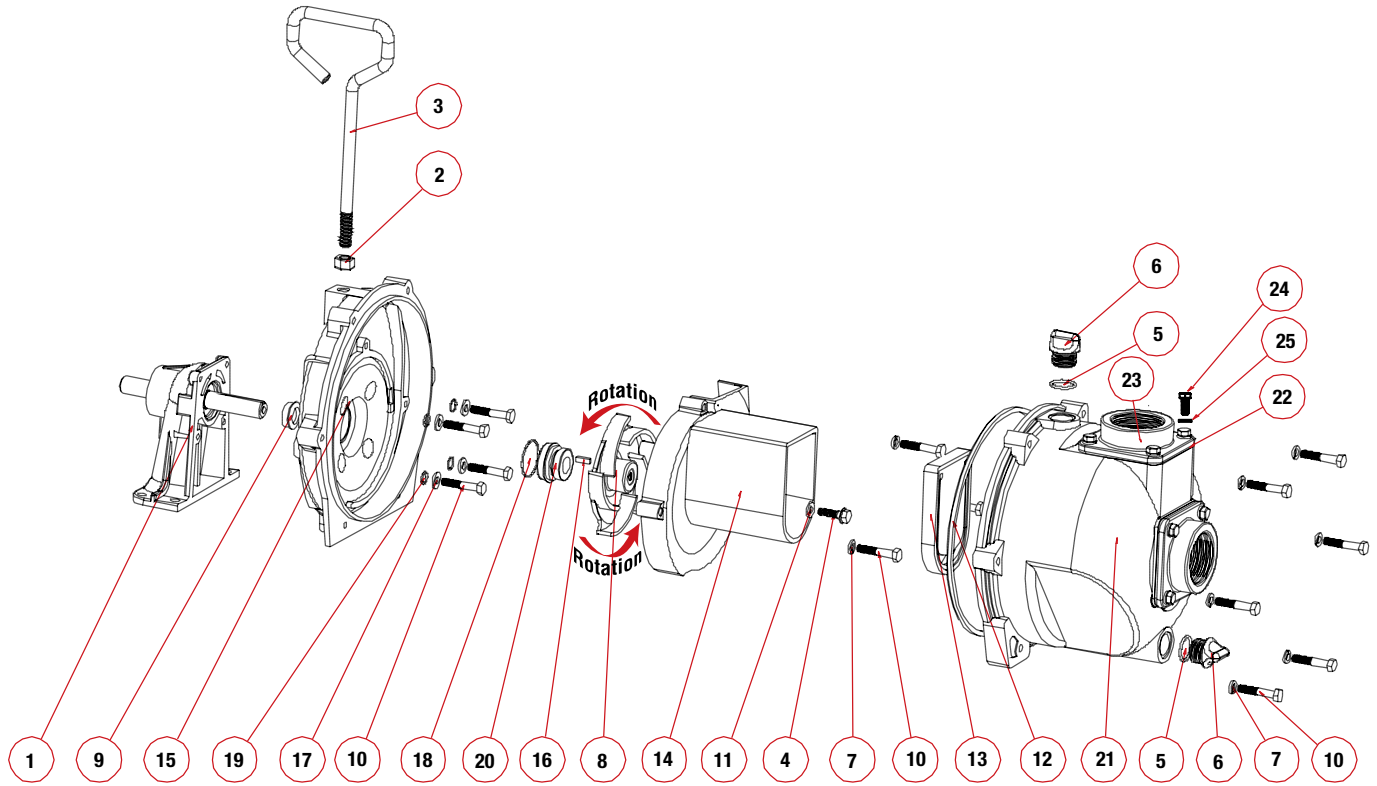
CAUTION-WARNING: Please do not run pump dry, restrict or reduce port sizes, or dead head pump. This could cause component failure to pump.

DO NOT USE WITH FLAMMABLE LIQUIDS.

NOTE: Engine warranty service available at authorized Briggs & Stratton and Honda dealers.

SHIPPING: Truck shipments only.





REPLACEMENT PARTS 222 CAST IRON PUMPS W/GAS ENGINES				
ITEM	PART NO	DESCRIPTION	QTY	PRICE
1	12882A	Bearing Pedestal Assembly	1	\$222.27
1	12600B	Hydraulic Pedestal Assembly	1	\$1,454.02
2	17010	1/2" Jam Nut	1	\$1.21
3	15022	Handle	1	\$12.06
4	12765A	5/16" - 24 x 1.12 Impeller Bolt	1	\$17.26
5	13778	O-Ring	2	\$1.94
6	13777	Prime/Drain Plug	2	\$3.07
7	V10118	5/16" Lock Washer	9	\$0.44
8	15772	5 Vane Impeller	1	\$67.51
9	12716	Pump Slinger	1	\$5.36
10	12715A	5/16" - 24 x 1.75 HHCS	13	\$3.84
11	12774VA	Impeller Bolt Gasket	1	\$1.45
12	12719A	Body O-Ring	1	\$13.80
13	12705	Check Valve	1	\$15.77
14	15702	Volute	1	\$103.68
15	15703	Rear Bracket	1	\$121.37
16	12902A	3/16" sq x 5/8" Key	1	\$1.61
17	12901	5/16" Flat Washer	4	\$0.46
18	12710	O-Ring	1	\$3.37

REPLACEMENT PARTS 222 CAST IRON PUMPS W/GAS ENGINES				
ITEM	PART NO	DESCRIPTION	QTY	PRICE
19	12717	O-Ring	4	\$0.68
20	12713V	Seal Assembly	1	\$73.57
20	12713SD	Severe Duty Seal	1	\$373.95
21	15712	Body	1	\$208.99
22	17013	Flange Gasket	2	\$6.34
23	17000	Threaded Flange	2	\$24.92
24	17019	5/16" - 18 x 0.75 HHCS	8	\$1.21
25	V10118	5/16" Lock Washer	8	\$0.44
N/S	12099	7/16"-14 x 1.25" HHCS	1	\$3.07
N/S	15751	Bracket Shim	1	\$3.20
N/S	15752	Impeller Shim	1	\$1.61
N/S	17033	Z-Rails	1pr	\$28.96
N/S	17034	5/16" - 18 x 1 3/4" Zinc Plated	4	\$0.80
N/S	V10119	5/16" -18 Hex Nut	4	\$0.58
N/S	V10118	5/16" Lock Washer	4	\$0.44
N/S	15000	Repair Kit (Items 5, 8, 11-12, 18-20, 12099, 15751 & 15752)	1	\$143.08
N/S	15000V	FKM (viton type) Repair Kit	1	\$257.20
N/S	15999	Seal Kit (Items 5, 11-12, 18-20, 12099, 15751 & 15752)	1	\$84.41
N/S	15999V	FKM (viton type) Seal Kit	1	\$114.10

NOTE: EPDM gaskets, seals and o-rings used in the following assemblies unless otherwise noted: 222PBI, 222PIHY, 222PI5, 222PIH5, 222POI. Pumps equipped with FKM (viton type) also available.

2" 222 Series Cast Iron Pedestal Pumps & Pump Onlys

FEATURES

- Cast iron construction for rugged dependable service.
- Carbon ceramic seal with stainless steel cup and spring with FKM (viton type) rubber.
- Replaceable inlet and outlet flanges.
- Dynamically balanced impeller.

2" CAST IRON PEDESTAL PUMP

- Easily adaptable to electric motor (flexible coupling not included).
- 3/4" straight keyed shaft.



2" CAST IRON PUMP ONLY

- Comes complete and ready for attachment to gasoline engine (3/4" straight keyed shaft required).



222 CAST IRON BEARING PEDESTAL FOR ELECTRIC MOTORS

PART NO	DESCRIPTION	HP	QTY	PRICE
222PBI	2" Cast Iron Bearing Pedestal w/ 3/4" Shaft Straight Keyed	N/A	1	\$1,089.40

* Recommended for use with 5 h.p. electric motor @ 3600 RPM.

222 CAST IRON PUMP ONLYS FOR GAS ENGINES

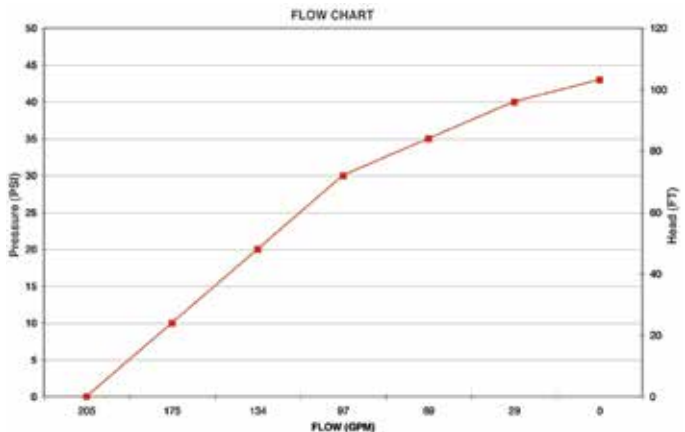
PART NO	DESCRIPTION	HP	QTY	PRICE
222POI	2" Cast Iron Pump Only w/ Full Impeller	N/A	1	\$761.99
225POI*	2" Cast Iron Pump Only w/ Trimmed Impeller	N/A	1	\$763.51

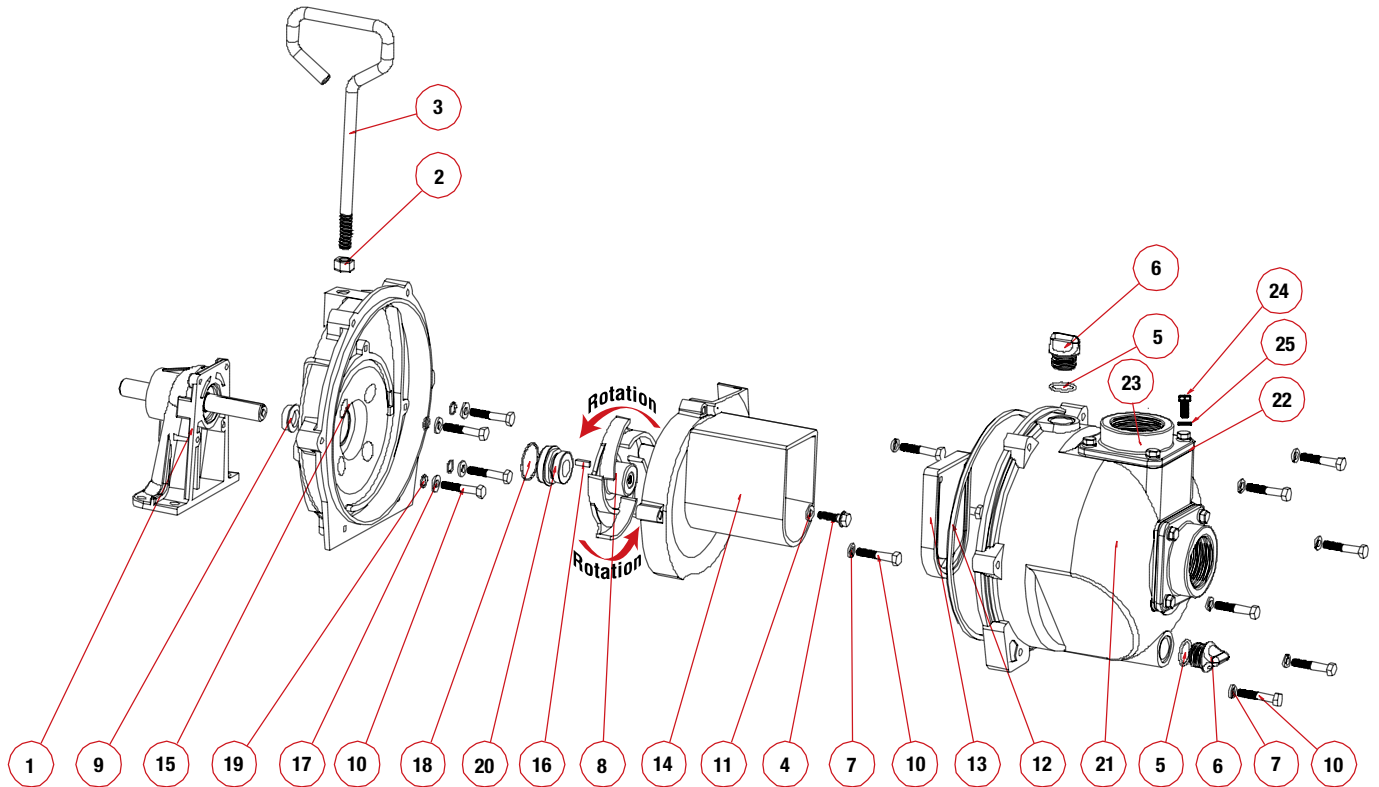
* 225POI Recommended for use with 10 pound per gallon material or more.

CAUTION-WARNING: Please do not run pump dry, restrict or reduce port sizes, or dead head pump. This could cause component failure to pump.

DO NOT USE WITH FLAMMABLE LIQUIDS.

*See page 188 for recommended hydraulic spool valve.





SELF-PRIMING CENTRIFUGAL PUMPS

REPLACEMENT PARTS 222 SERIES CAST IRON PUMPS

ITEM	PART NO	DESCRIPTION	QTY	PRICE
1	12882A	Bearing Pedestal Assembly	1	\$222.27
1	12600B	Hydraulic Pedestal Assembly	1	\$1,454.02
2	17010	1/2" Jam Nut	1	\$1.21
3	15022	Handle	1	\$12.06
4	12765A	5/16" - 24 x 1.12 Impeller Bolt	1	\$17.26
5	13778	O-Ring	2	\$1.94
6	13777	Prime/Drain Plug	2	\$3.07
7	V10118	5/16" Lock Washer	9	\$0.44
8	15772	5 Vane Impeller	1	\$67.51
9	12716	Pump Slinger	1	\$5.36
10	12715A	5/16" - 24 x 1.75 HHCS	13	\$3.84
11	12774VA	Impeller Bolt Gasket	1	\$1.45
12	12719A	Body O-Ring	1	\$13.80
13	12705	Check Valve	1	\$15.77
14	15702	Volute	1	\$103.68
15	15703	Rear Bracket	1	\$121.37
16	12902A	3/16" sq x 5/8" Impeller Key	1	\$1.61
17	12901	5/16" Flat Washer	4	\$0.46

REPLACEMENT PARTS 222 SERIES CAST IRON PUMPS

ITEM	PART NO	DESCRIPTION	QTY	PRICE
18	12710	O-Ring	1	\$3.37
19	12717	O-Ring	4	\$0.68
20	12713V	Seal Assembly	1	\$73.57
20	12713SD	Severe Duty Seal	1	\$373.95
21	15712	Body	1	\$208.99
22	17013	Flange Outlet Gasket	2	\$6.34
23	17000	Threaded Flange	1	\$24.92
N/S	12099	7/16"-14 x 1.25" HHCS	1	\$3.07
N/S	15751	Bracket Shim	1	\$3.20
N/S	15752	Impeller Shim	1	\$1.61
N/S	17033	Z-Rails	1pr	\$28.96
N/S	17034	5/16" - 18 x 1 3/4" Zinc Plated	4	\$0.80
N/S	V10119	5/16" -18 Hex Nut	4	\$0.58
N/S	V10118	5/16" Lock Washer	4	\$0.44
N/S	15000	Repair Kit (Items 5, 8, 11-13, 18-20, 12099, 15751 & 15752)	1	\$143.08
N/S	15000V	FKM (viton type) Repair Kit	1	\$257.20
N/S	15999	Seal Kit Seal Kit (Items 5, 11-13, 18-20, 12099, 15751 & 15752)	1	\$84.41
N/S	15999V	FKM (viton type) Seal Kit	1	\$114.10

NOTE: EPDM gaskets, seals and o-rings used in the following assemblies unless otherwise noted: 222PBI, 222PIHY, 222PI5, 222PIH5, 222POI. Pumps equipped with FKM (viton type) also available.

2" 222 Series Cast Iron Pumps with Electric Motors

FEATURES

- Cast iron construction for rugged dependable service.
- Stainless steel shaft sleeve to protect engine shaft.
- Carbon ceramic seal with stainless steel cup and spring with FKM (viton type) rubber.
- Replaceable inlet and outlet flanges.
- Dynamically balanced impeller.
- Pump end separated from engine.
- Heavy duty slinger seal on motor shaft.
- Large weep holes between pump end and engine.
- "V" shaped for quicker priming.

CAUTION-WARNING: Please do not run pumps dry, restrict or reduce port sizes or dead head pumps. This could cause component failure to pump. No Flammables.

DO NOT USE WITH FLAMMABLE LIQUIDS.

NOTE: Truck shipments only. Motor warranty service available at authorized dealers.



222 SERIES CAST IRON PUMPS W/ELECTRIC MOTORS				
PART NO	DESCRIPTION	HP	QTY	PRICE
222PIE5	2" Cast Iron Pump w/5.0 HP Three Phase Electric Motor	5.0	1	\$2,883.55
222PIE51	2" Cast Iron Pump w/5.0 HP Single Phase Electric Motor	5.0	1	\$3,514.46

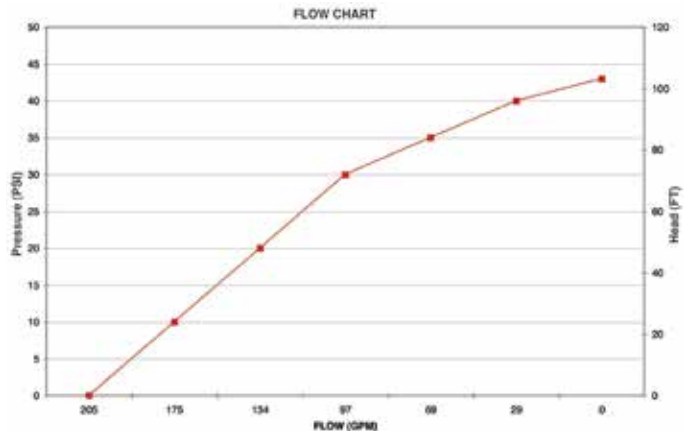
COMPLETE PUMP WITH EFFICIENT INDUSTRIAL ELECTRIC MOTORS!

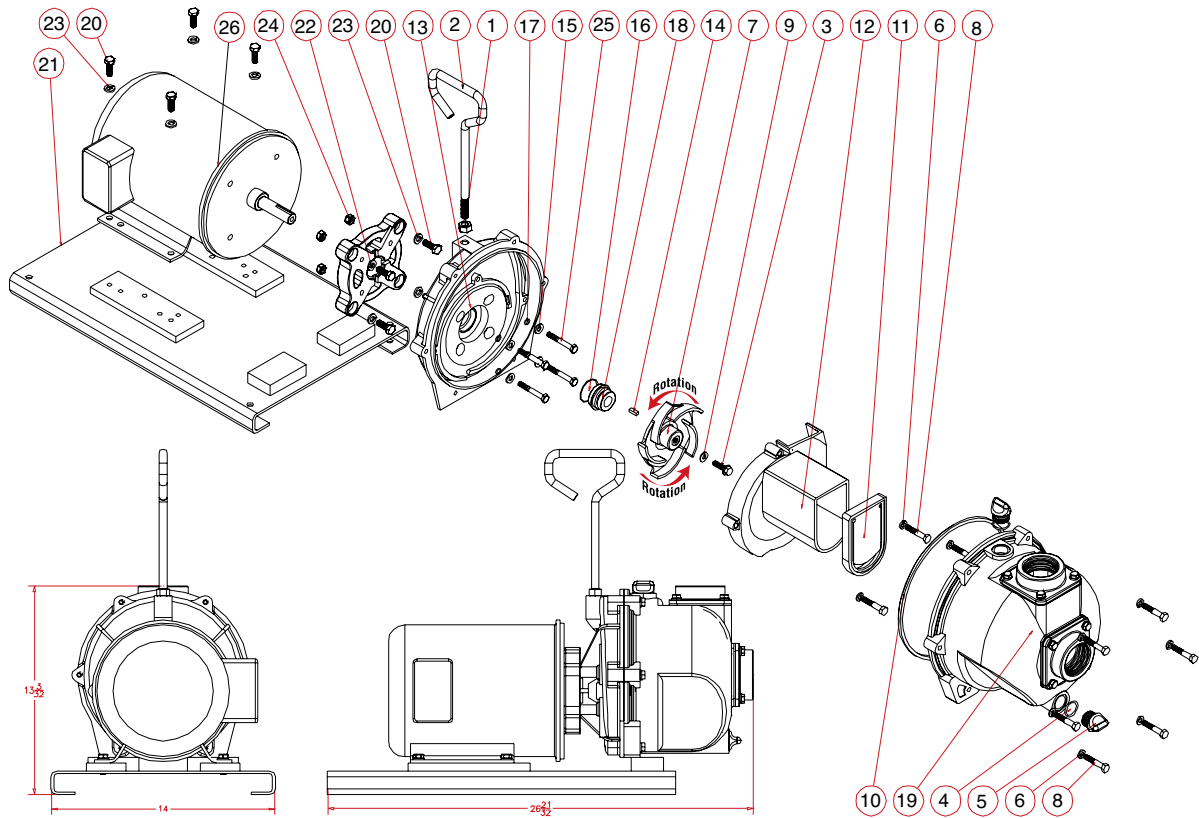
MOTOR FEATURES:

- Pressure cast aluminum end plates with ribbed design for rigidity.
- Ball bearings, locked drive end bearing.
- Heavy gauge steel frame.
- Motors wound with inverter spike resistance magnet wire.
- Mounted complete on heavy duty cast iron base plate.
- 230 V Motors.



POLYETHYLENE SUCTION BASKET STRAINER			
PART NO	DESCRIPTION	QTY	PRICE
150SBS	1 1/2" Female Thread Poly Basket	1	\$15.77
200SBS	2" Female Thread Poly Basket	1	\$15.77
300SBS	3" Female Thread Poly Basket	1	\$35.57





SELF-PRIMING CENTRIFUGAL PUMPS

REPLACEMENT PARTS 222 CAST IRON PUMPS W/ELECTRIC MOTORS

ITEM	PART NO	DESCRIPTION	QTY	PRICE
1	17010	1/2" Jam Nut	1	\$1.21
2	15022	Handle	1	\$12.06
6	12765A	5/16" - 24 x 1.12 Impeller Bolt	1	\$17.26
4	13778	O-Ring	2	\$1.94
5	13777	Prime/Drain Plug	2	\$3.07
7	V10118	5/16" Lock Washer	9	\$0.44
7	15772	5 Vane Impeller	1	\$67.51
8	12715A	5/16" - 24 x 1.75 HHCS	13	\$3.84
9	12774VA	Impeller Bolt Gasket	1	\$1.45
10	12719A	Body O-Ring	1	\$13.80
11	12705	Check Valve	1	\$15.77
12	15702	Volute	1	\$103.68
13	15703	Rear Bracket	1	\$121.37
14	12902A	3/16" SQ. x 5/8" Key	1	\$1.61
15	12901	5/16" Flat Washer	4	\$0.46
16	12710	O-Ring	1	\$3.37
17	12717	O-Ring	4	\$0.68
18	12713V	Seal Assembly	1	\$73.57

REPLACEMENT PARTS 222 CAST IRON PUMPS W/ELECTRIC MOTORS

ITEM	PART NO	DESCRIPTION	QTY	PRICE
18	12713SD	Severe Duty Seal	1	\$373.95
19	15712	Body	1	\$208.99
20	17704	3/16" - 16 x 1.25 HHCS Bolt	8	\$3.20
21	17701	C-Faced Base Plate	1	\$289.35
22	12046	56C Adapter	1	\$30.63
23	V20018	3/8" Lock Washer	8	\$0.44
24	V20019	3/8" 16 SS Hex Nut	4	\$1.07
25	BF107	5/16" - 18 x 2 1/4" HHCS Bolt	4	\$1.49
26	BEM5-182CZ	5 HP 3450 RPM Three Phase Motor	1	\$1,545.31
26	BEM51-182CZ	5 HP 3450 RPM Single Phase Motor	1	\$2,188.82
N/S	12099	7/16"-14 x 1.25" HHCS	1	\$3.07
N/S	15751	Bracket Shim	1	\$3.20
N/S	15752	Impeller Shim	1	\$1.61
N/S	15000	Repair Kit (Items 4,7,9-11,14,16-18,12099,15751 & 15752)	1	\$143.08
N/S	15000V	FKM (viton type) Repair Kit	1	\$257.20
N/S	15999	Seal Kit (Items 4, 9-11, 14,16-18,12099,15751 & 15752)	1	\$84.41
N/S	15999V	FKM (viton type) Seal Kit	1	\$114.10

NOTE: EPDM gaskets, seals and o-rings used in the following assemblies unless otherwise noted: 222PBI, 222PIHY, 222PI5, 222PIH5, 222POI. Pumps equipped with FKM (viton type) also available.

2" 222 Series Cast Iron Pumps with Hydraulic Motors

FEATURES

- Cast iron construction for rugged dependable service.
- Carbon ceramic seal with stainless steel cup and spring with FKM (viton type) rubber.
- Replaceable inlet and outlet flanges.
- Dynamically balanced impeller.

HYDRAULIC MOTOR:

- Hydraulic fluid capacity
Minimum 6 Gallons /
Maximum 10 Gallons.
- 12 H.P. Motor.
- Open or closed system.
- Minimum 500 P.S.I. /
Maximum 2,000 P.S.I.

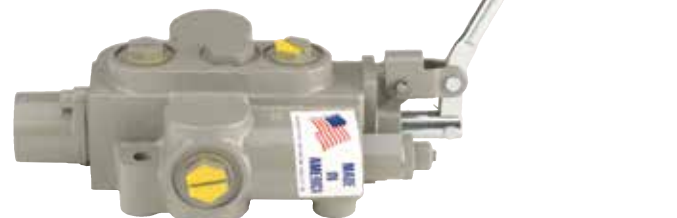
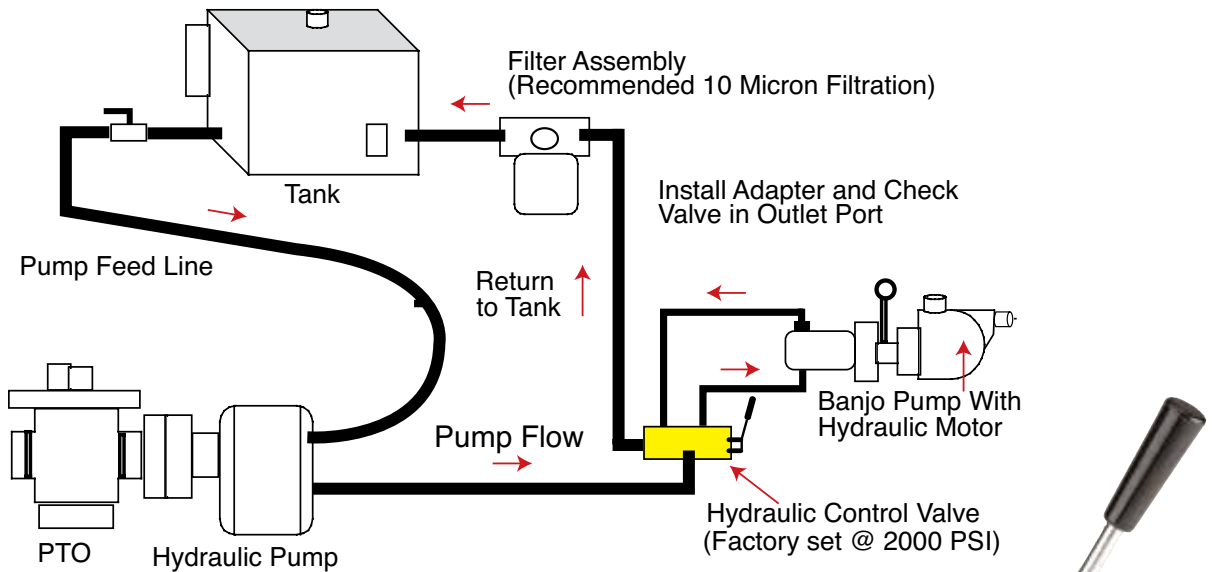
CAUTION-WARNING: Please do not run pump dry, restrict or reduce port sizes, or dead head pump. This could cause component failure to pump.

DO NOT USE WITH FLAMMABLE LIQUIDS.



222 CAST IRON HYDRAULIC PUMPS				
PART NO	DESCRIPTION	HP	QTY	PRICE
222PIHY	2" Cast Iron Pump w/12 HP Hydraulic Motor	12	1	\$2,304.15

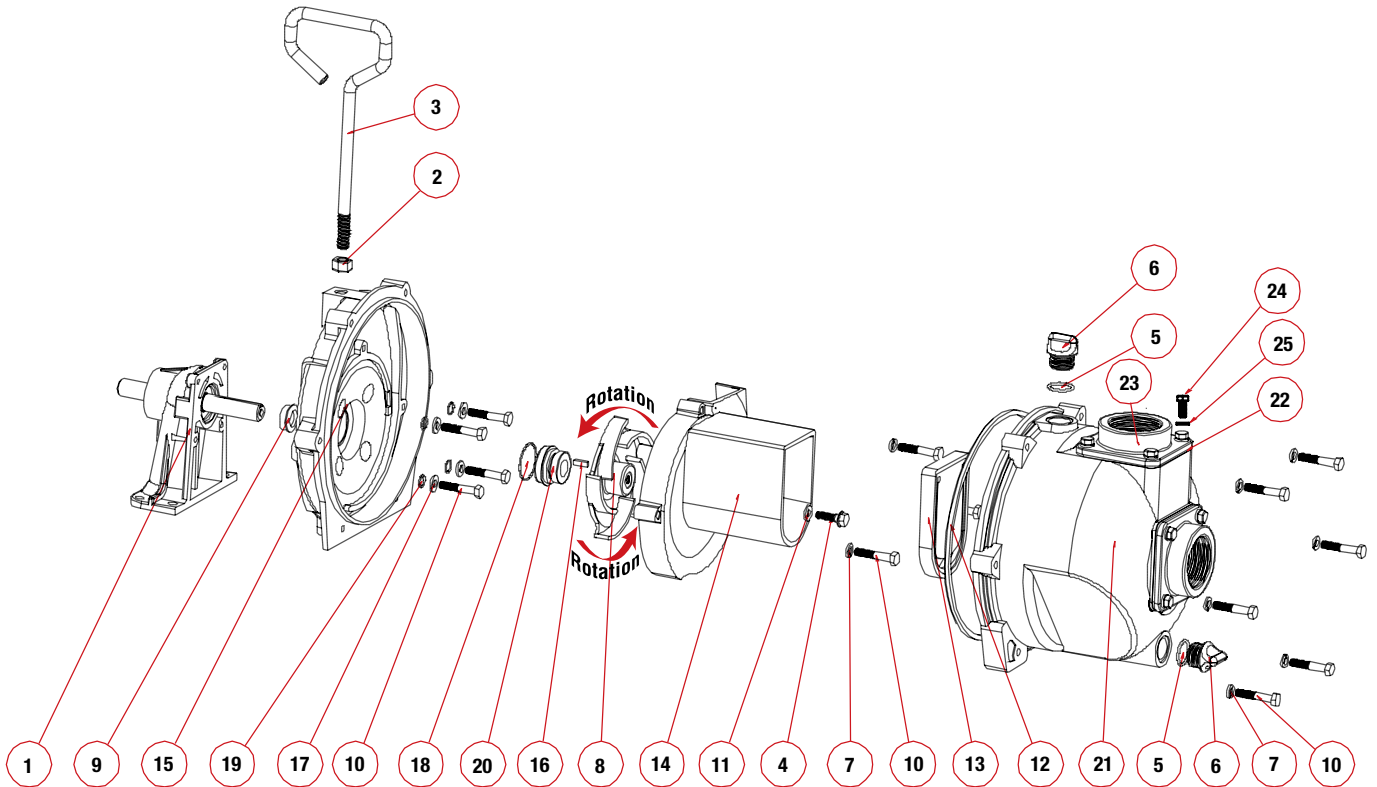
SPOOL VALVE ASSEMBLY DIAGRAM



HYDRAULIC MOTOR SPOOL VALVE				
PART NO	DESCRIPTION	HP	QTY	PRICE
HSV1000	Hydraulic Motor Spool Valve	N/A	1	\$675.45

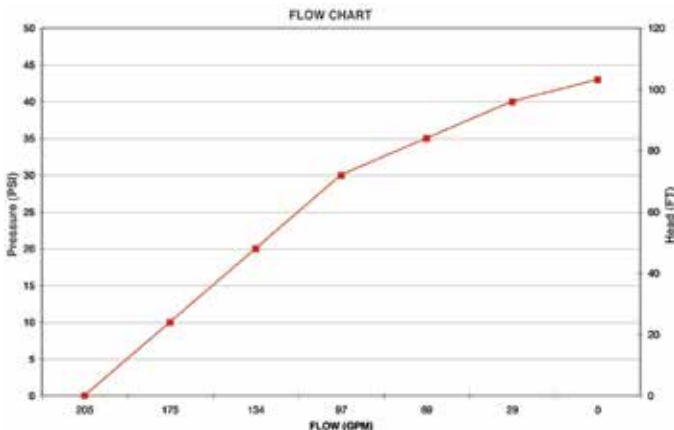
PUMPS





REPLACEMENT PARTS 222 SERIES CAST IRON PUMPS				
ITEM	PART NO	DESCRIPTION	QTY	PRICE
1	12882A	Bearing Pedestal Assembly	1	\$222.27
1	12600B	Hydraulic Pedestal Assembly	1	\$1,454.02
2	17010	1/2" Jam Nut	1	\$1.21
3	15022	Handle	1	\$12.06
4	12765A	5/16" - 24 x 1.12 Impeller Bolt	1	\$17.26
5	13778	O-Ring	2	\$1.94
6	13777	Prime/Drain Plug	2	\$3.07
7	V10118	5/16" Lock Washer	9	\$0.44
8	15772	5 Vane Impeller	1	\$67.51
9	12716	Pump Slinger	1	\$5.36
10	12715A	5/16" - 24 x 1.75 HHCS	13	\$3.84
11	12774VA	Impeller Bolt Gasket	1	\$1.45
12	12719A	Body O-Ring	1	\$13.80
13	12705	Check Valve	1	\$15.77
14	15702	Volute	1	\$103.68
15	15703	Rear Bracket	1	\$121.37
16	12902A	3/16" sq x 5/8" Impeller Key	1	\$1.61
17	12901	5/16" Flat Washer	4	\$0.46

REPLACEMENT PARTS 222 SERIES CAST IRON PUMPS				
ITEM	PART NO	DESCRIPTION	QTY	PRICE
18	12710	O-Ring	1	\$3.37
19	12717	O-Ring	4	\$0.68
20	12713V	Seal Assembly	1	\$73.57
20	12713SD	Severe Duty Seal	1	\$373.95
21	15712	Body	1	\$208.99
22	17013	Flange Outlet Gasket	2	\$6.34
23	17000	Threaded Flange	1	\$24.92
N/S	12099	7/16"-14 x 1.25" HHCS	1	\$3.07
N/S	15751	Bracket Shim	1	\$3.20
N/S	15752	Impeller Shim	1	\$1.61
N/S	17033	Z-Rails	1pr	\$28.96
N/S	17034	5/16" - 18 x 1 3/4" Zinc Plated	4	\$0.80
N/S	V10119	5/16" -18 Hex Nut	4	\$0.58
N/S	V10118	5/16" Lock Washer	4	\$0.44
N/S	15000	Repair Kit (Items 5, 8, 11-13, 18-20, 12099, 15751 & 15752)	1	\$143.08
N/S	15000V	FKM (viton type) Repair Kit	1	\$257.20
N/S	15999	Seal Kit Seal Kit (Items 5, 11-13, 18-20, 12099, 15751 & 15752)	1	\$84.41
N/S	15999V	FKM (viton type) Seal Kit	1	\$114.10



NOTE: EPDM gaskets, seals and o-rings used in the following assemblies unless otherwise noted: 222PBI, 222PIHY, 222PI5, 222PIH5, 222POI. Pumps equipped with FKM (viton type) also available.

2" M222 Series Cast Iron Manifold Wet Seal Pumps

FEATURES

- Durable cast iron construction.
- Dynamically balanced impeller.
- Carbon ceramic seal with stainless steel cup and spring with FKM (viton type) rubber.
- Pump end separated from engine.
- Large weep holes between pump end and engine or motor.
- "V" Shaped for quicker priming.



DO NOT USE WITH FLAMMABLE LIQUIDS.

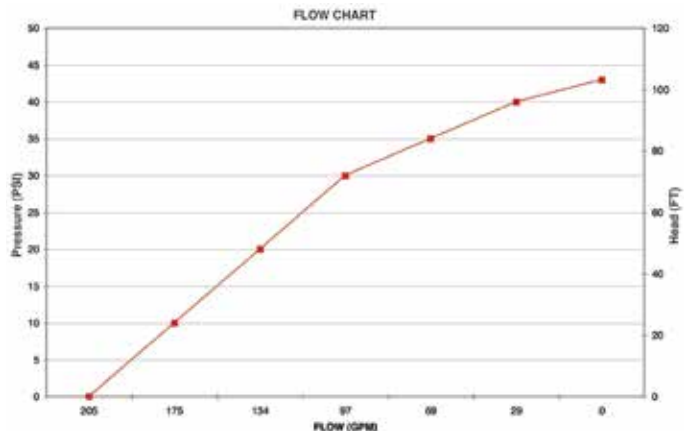


2" MANIFOLD WET SEAL CI PUMPS W/GAS ENGINES				
PART NO	DESCRIPTION	HP	QTY	PRICE
M222PI6PROW	2" Manifold Cast Iron Wet Seal Pump w/6.5 HP Briggs & Stratton® Pro Series Engine	6.5	1	\$1,928.71
M222PIH6W	2" Manifold Cast Iron Wet Seal Pump w/6.5 HP Honda® Engine	6.5	1	\$2,458.55



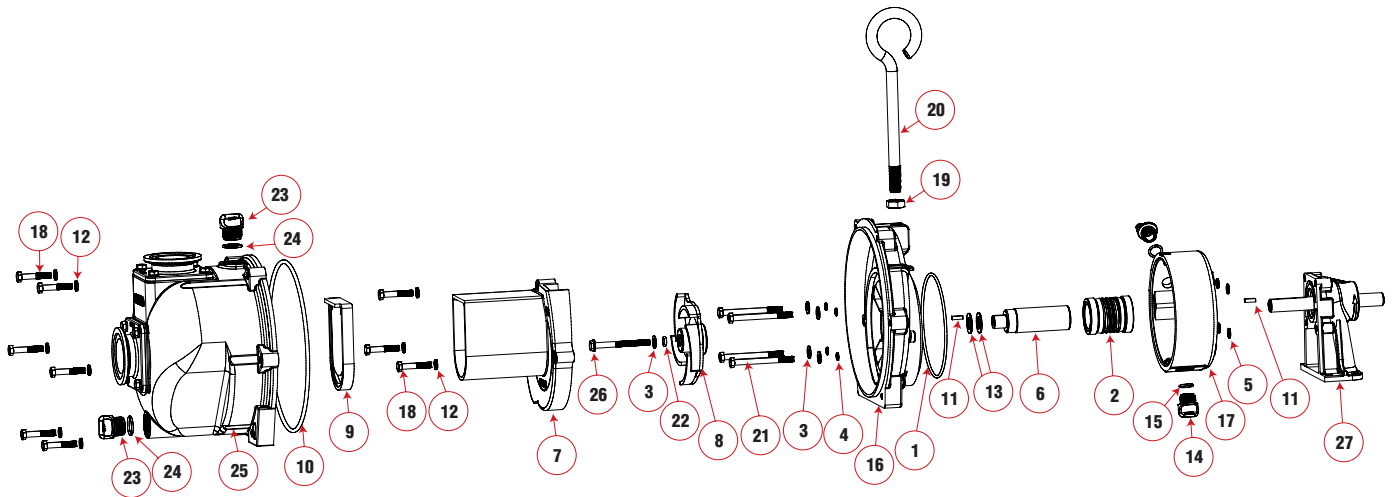
2" MANIFOLD WET SEAL CI PUMPS W/ELECTRIC MOTORS				
PART NO	DESCRIPTION	HP	QTY	PRICE
M222PIE5W	2" Manifold Cast Iron Wet Seal Pump w/ 5HP Three Phase Electric Motor	5	1	\$3,268.42
M222PIE51W	2" Manifold Cast Iron Wet Seal Pump w/ 5HP Single Phase Electric Motor	5	1	\$3,847.08

2" MANIFOLD WET SEAL CI PUMPS W/BEARING PEDESTAL				
PART NO	DESCRIPTION	HP	QTY	PRICE
M222PBIW	2" Manifold Cast Iron Wet Seal Pump w/ Bearing Pedestal w/3/4" Shaft	N/A	1	\$1,559.19



PUMPS





REPLACEMENT PARTS M222 WET SEAL CAST IRON PUMPS				
ITEM	PART NO	DESCRIPTION	QTY	PRICE
1	13719	O-Ring	1	\$2.74
2	15035E	EPDM Mechanical Seal Assembly	1	\$231.11
3	12901	5/16" Flat Washer	4	\$0.46
4	12717	O-Ring for Bracket Screw	4	\$0.68
5	12709	O-Ring	4	\$0.72
6	15055	Adapter Shaft	1	\$114.13
7	15702	Volute	1	\$103.68
8	15772	5 Vane Impeller	1	\$67.51
9	12705	Check Valve	1	\$15.77
10	12719A	Body O-Ring	1	\$13.80
11	12902A	Impeller Key	2	\$1.61
12	V10118	5/16" Lock Washer	9	\$0.44
13	CV10175	Gasket	2	\$1.36
14	12777	Prime/Drain Plug	2	\$2.33

REPLACEMENT PARTS M222 WET SEAL CAST IRON PUMPS				
ITEM	PART NO	DESCRIPTION	QTY	PRICE
15	UV15163	O-Ring	2	\$0.46
16	15703W	Rear Bracket	1	\$172.53
17	15201W	Wet Seal Reservoir	1	\$114.13
18	12715A	5/16" - 24 x 1 3/4" HHCS	9	\$3.84
19	18034	5/8"-11 Jam Nut	1	\$3.28
20	18033	Pump Handle	1	\$18.89
21	V10117	5/16" - 18 x 3 1/2" HFS	4	\$1.44
22	A203V	O-Ring	1	\$1.61
23	13777	3/4" Drain Plug	2	\$3.07
24	13778	O-Ring	2	\$1.94
25	M15712	Pump Body	1	\$208.97
26	12766	5/16" - 24 x 3 1/4" HFS	1	\$6.73
27	12882A	Bearing Pedestal	1	\$222.27

SELF-PRIMING CENTRIFUGAL PUMPS

2" M222 Series Cast Iron Manifold Wet Seal Pumps with Hydraulic Motors

FEATURES

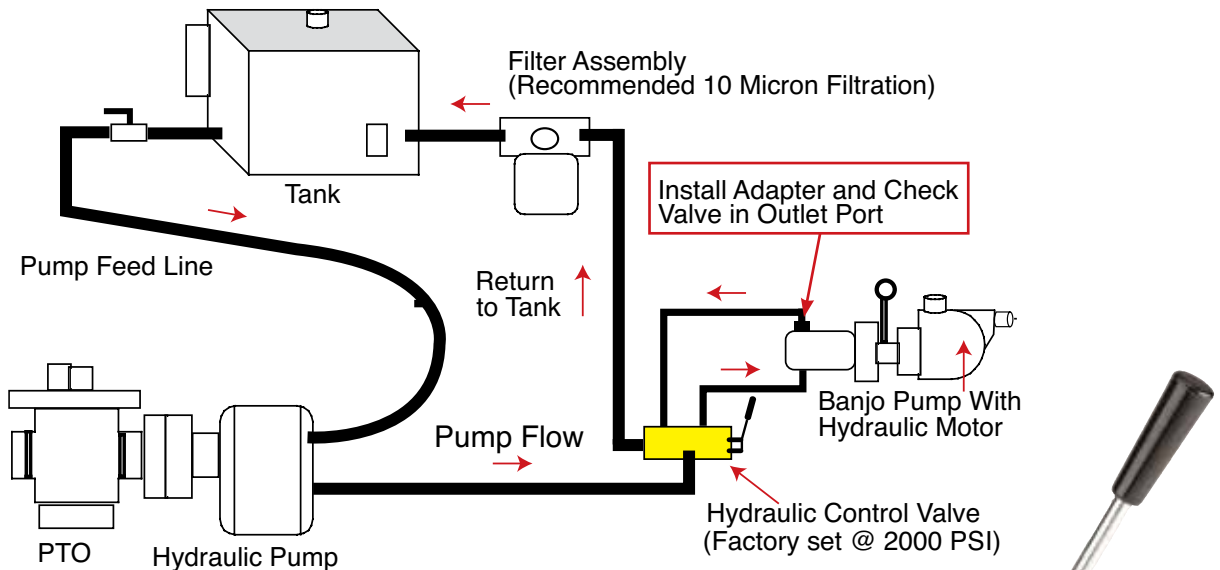
- Durable cast iron construction.
- Dynamically balanced impeller.
- Carbon ceramic seal with stainless steel cup and spring with FKM (viton type) rubber.
- Pump end separated from engine.
- Large weep holes between pump end and motor.
- "V" Shaped for quicker priming.

DO NOT USE WITH FLAMMABLE LIQUIDS.

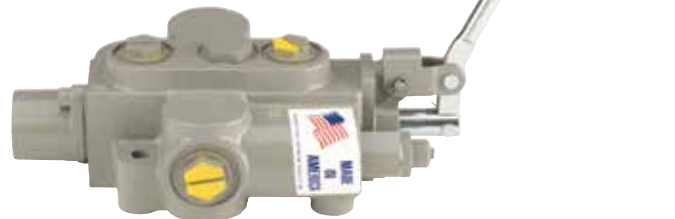


2" MANIFOLD WET SEAL CI HYDRAULIC PUMP				
PART NO	DESCRIPTION	HP	QTY	PRICE
M222PIHYW	2" Manifold Cast Iron Wet Seal Pump w/12 HP Hydraulic Motor	12	1	\$2,759.41

SPOOL VALVE ASSEMBLY DIAGRAM

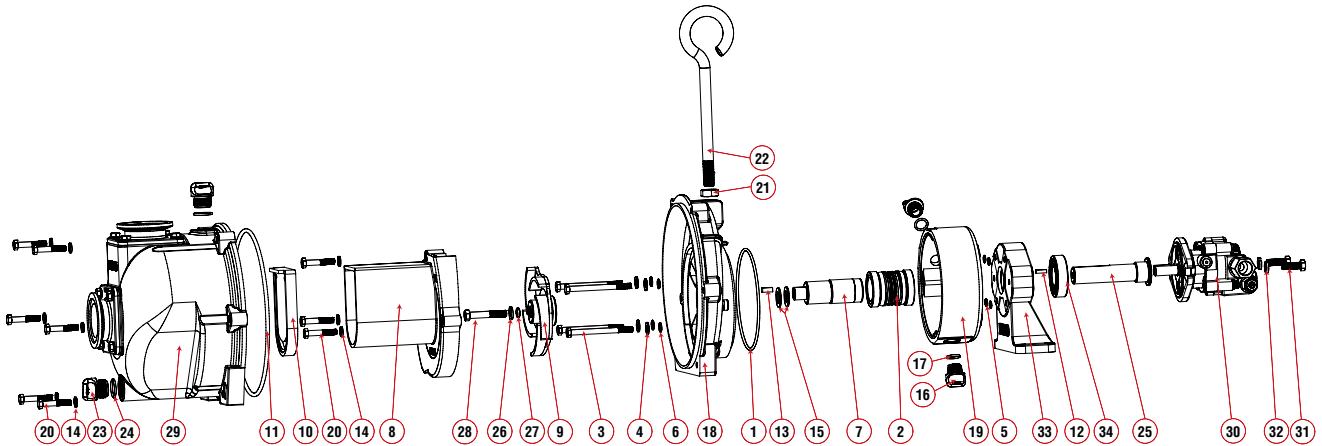


Recommendation:
We recommend using the motor spool control valve or a suitable equivalent. The lack of such a valve in this circuit may cause failure to the hydraulic motor.



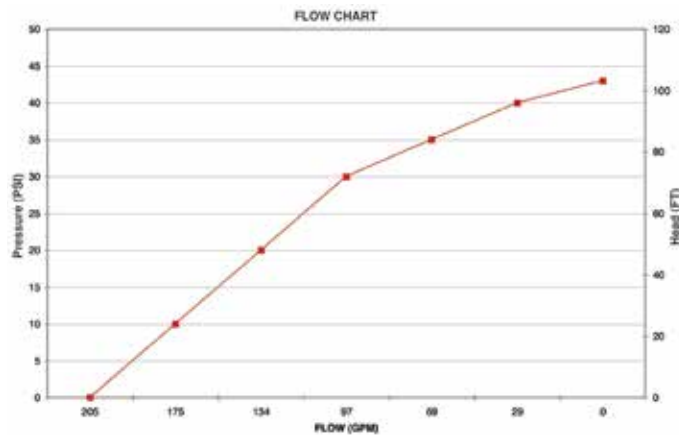
HYDRAULIC MOTOR SPOOL VALVE				
PART NO	DESCRIPTION	HP	QTY	PRICE
HSV1000	Hydraulic Motor Spool Valve	N/A	1	\$675.45





HYDRAULIC MOTOR DATA	
U.S. Gallons/Rev.	0.0025
Cubic Inches/Rev.	0.580
Liters/Rev.	0.0097
Max Hydraulic Pressure	2000 PSI
Min Hydraulic Pressure	200 PSI
Inlet Port	SAE 10 (7/8-14 UNF-2B)
Outlet Port	SAE 10 (7/8-14 UNF-2B)
Minimum GPM Required	6 GPM 2400 RPM
Maximum GPM Required	10 GPM 4000 RPM
Ideal GPM Required	9 GPM 3600 RPM
CONNECTION INFORMATION	
Inlet	"A" Port
Outlet	"B" Port
Supplied check valve is to ensure proper rotation of the Banjo pump. Place check valve in outlet port (marked "B") for proper right hand rotation.	
SPOOL VALVE INFORMATION	
Required Outlet Flow	Min 8 GPM / Max 13 GPM
Required System Pressure	Min 600 PSI / Max 3000 PSI

REPLACEMENT PARTS M222 WET SEAL HYRAULIC PUMP				
ITEM	PART NO	DESCRIPTION	QTY	PRICE
1	13719	O-Ring	1	\$2.74
2	15035E	EPDM Mechanical Seal Assembly	1	\$231.11
3	12034	5/16" -24 x 3 3/4" HHCS	4	\$8.86
4	12901	SS Rear Bracket Washer	4	\$0.46
5	12717	O-Ring for Screw Head	4	\$0.68
6	12709	O-Ring	4	\$0.72
7	13055	Adapter Shaft	1	\$114.13
8	15702	Volute	1	\$103.68
9	15772	5 Vane Impeller	1	\$67.51
10	12705	Check Valve	1	\$15.77
11	12719A	Body O-Ring	1	\$13.80
12	12902A	Impeller Key	1	\$1.61
13	16901	1/4" SQ. 3/4" Key Stock	1	\$3.20
14	V10118	5/16" SS Lock Washer	9	\$0.44
15	CV10175	Gasket	2	\$1.36
16	12777	Prime/Drain Plug	2	\$2.33
17	UV15163	Prime/Drain Plug O-Ring	2	\$0.46
18	15703W	Rear Bracket	1	\$172.53
19	15201W	Wet Seal Reservoir	1	\$114.13
20	12715A	SS Bracket Screws	9	\$3.84
21	18034	5/8" SS Jam Nut	1	\$3.28
22	18033	Handle	1	\$18.89
23	13777	Prime/Drain Plug	2	\$3.07
24	13778	Prime/Drain Plug O-Ring	2	\$1.94
25	15055H	Hydraulic Motor Adapter Shaft	1	\$108.52
26	19766	3/8" Flat Washer	1	\$0.70
27	A203V	O-Ring	1	\$1.61
28	BF207	3/8" - 16 x 2 1/4" HHCS	1	\$2.20
29	M15712	Pump Body	1	\$208.97
30	HY1013	Gresen® Hydraulic Motor	1	\$1,315.58
31	18010SS	Bolt	2	\$1.94
32	V20018	Lock Washer	2	\$0.44
33	12049B	Hydraulic Pedestal Housing	1	\$156.35
34	17056	SKF 6206-2RS1 Bearing	1	\$43.41



SELF-PRIMING CENTRIFUGAL PUMPS

3" Cast Iron Pumps with Gas Engines

FEATURES

- Cast iron construction for rugged dependable service.
- Stainless steel shaft sleeve to protect engine shaft.
- Carbon ceramic seal with stainless steel cup and spring with FKM (viton type) rubber.
- Replaceable inlet and outlet flanges.
- Dynamically balanced impeller.

CAUTION-WARNING: Please do not run pumps dry, restrict or reduce port sizes or dead head pumps. This could cause component failure to pump.

DO NOT USE WITH FLAMMABLE LIQUIDS.



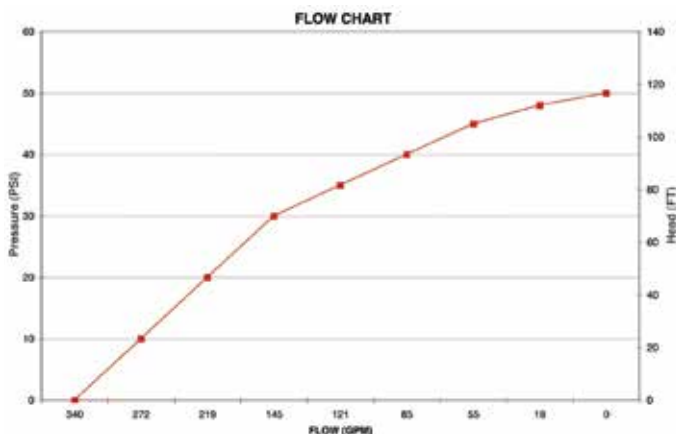
3" CAST IRON PUMPS W/GAS ENGINES				
PART NO	DESCRIPTION	HP	QTY	PRICE
300PIH-8	3" Cast Iron Pump w/8 HP Honda® Engine w/Electric Start & Pull Rope	8	1	\$4,277.82
300PI11PRO	3" Cast Iron Pump w/11 HP Briggs & Stratton® Engine Pro Series w/Electric Start & Pull Rope	11	1	\$3,317.22
300PIH-11	3" Cast Iron Pump w/11 HP Honda® Engine w/Electric Start & Pull Rope	11	1	\$4,667.07
300PIH13	3" Cast Iron Pump w/13 HP Honda® Engine w/Electric Start & Pull Rope	13	1	\$4,872.40

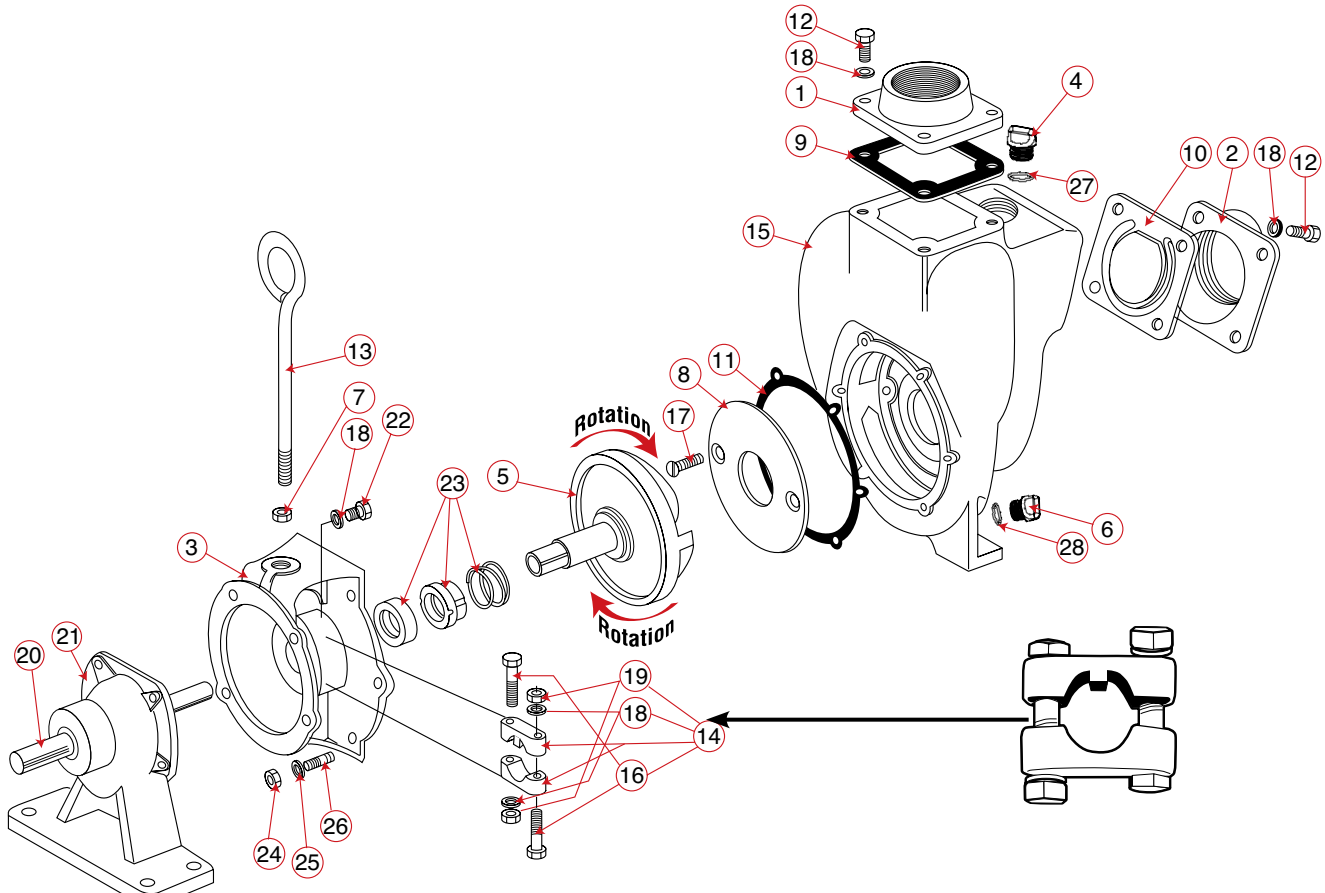
NOTE: Engine warranty service available at authorized Briggs & Stratton and Honda dealers.

***SHIPPING:** Truck shipments only.



3" CAST IRON PUMP MANIFOLD FLANGES			
PART NO	DESCRIPTION	QTY	PRICE
M18008	3" Manifold Outlet Flange	1	\$52.24
M18012	3" Manifold Inlet Flange	1	\$52.24





SELF-PRIMING CENTRIFUGAL PUMPS

REPLACEMENT PARTS 3" CAST IRON PUMPS				
ITEM	PART NO	DESCRIPTION	QTY	PRICE
1	18008	NPT Outlet Flange	1	\$48.95
1	M18008	3" Manifold Outlet Flange	1	\$52.24
2	18012	NPT Inlet Flange	1	\$52.24
2	M18012	3" Manifold Inlet Flange	1	\$52.24
3	18026	Adapter for Gas Engine & Bearing Pedestal	1	\$157.83
3	18048	C-Flange Adapter	1	\$237.89
3	18049	Hydraulic Motor Adapter	1	\$316.69
N/S	18055	Hydraulic Adapter Shaft	1	\$45.81
4	13777	Plug	1	\$3.07
5	18023	1" Impeller & Drive Shaft for Gas Engine	1	\$282.93
5	18023-1.125	1 1/8" Impeller & Drive Shaft for Electric Motor	1	\$282.93
6	12777	Plug	1	\$2.33
7	18034	5/8" SS Jam Nut	1	\$3.28
8	18004	Wear Plate	1	\$62.70
9	18009	EPDM Outlet Gasket	1	\$9.83
10	18013	Gasket Check Valve Assembly	1	\$48.06
11	18021	Adapter Gasket	1	\$7.64
12	18010SS	3/8" - 16 x 1 1/8" SS Cap Screw HXHD	8	\$1.94
13	18033	Handle	1	\$18.89

REPLACEMENT PARTS 3" CAST IRON PUMPS				
ITEM	PART NO	DESCRIPTION	QTY	PRICE
14	18029	Clamp Assembly (Old Style)	1	\$51.45
14	18129	Clamp Assembly (New Style)	1	\$51.45
15	18001	Pump Housing	1	\$639.78
16	18030	3/8" -24 x 2 1/4" Bolt	2	\$4.57
17	18106	Wear Plate Flat Head Screw	2	\$2.52
18	V20018	3/8" Lock Washer	8	\$0.44
19	18032	3/8" x 24 SS Hex Nut	2	\$0.80
20	18504	1" Shaft	1	\$63.65
21	18500	Bearing Pedestal	1	\$458.15
N/S	18502	Bearing SKF 66306-2RS1/C3	2	\$139.83
22	17704	Bolt	4	\$3.20
23	18025	FKM (viton type) Seal Assembly	1	\$116.54
23	18025SD	Severe Duty Seal	1	\$450.09
24	V20019	3/8" 16 SS Hex Nut	6	\$1.07
25	V20018	3/8" SS Lock Washer	6	\$0.44
26	18218	3/8" -16 x 24 x 2 1/8" SS Stud	6	\$18.20
27	13778	O-Ring	1	\$1.94
28	UV15163	O-Ring	1	\$0.46
N/S	18035	Z-Rail Mounting Bracket (Pair)	1	\$45.49
N/S	18100	Repair Kit (Consist of items 5, 8,11,17, 23)	1	\$372.93

3" Cast Iron Pump Onlys & Bearing Pedestal Pumps

FEATURES

- Pump Only packs complete and ready for attachment to gasoline engine.
- Pedestal pump for long coupling to electric motor.

IMPORTANT

- Banjo Pumps will not self-prime if a 1750 RPM motor is used.
- Recommended horsepower, listed below, is for water only. Heavier fluids may require additional horsepower or a trimmed impeller.

CAUTION-WARNING: Please do not run pumps dry, restrict or reduce port sizes or dead head pumps. This could cause component failure to pump.

DO NOT USE WITH FLAMMABLE LIQUIDS.



3" CAST IRON PUMP ONLY				
PART NO	DESCRIPTION	HP	QTY	PRICE
300POI	3" Cast Iron Pump Only for 1" Shaft	N/A	1	\$1,750.40

*Truck shipments only

3" CAST IRON BEARING PEDESTAL				
PART NO	DESCRIPTION	HP	QTY	PRICE
300PBI	3" Cast Iron Bearing Pedestal w/1" Shaft	N/A	1	\$2,039.60

*Truck shipments only

3" CAST IRON C-FLANGE PUMPS				
PART NO	DESCRIPTION	HP	QTY	PRICE
300POICF*	3" Cast Iron C-Flange Pump w/1 1/8" Shaft Sleeve*	N/A	1	\$2,039.60

*Truck shipments only

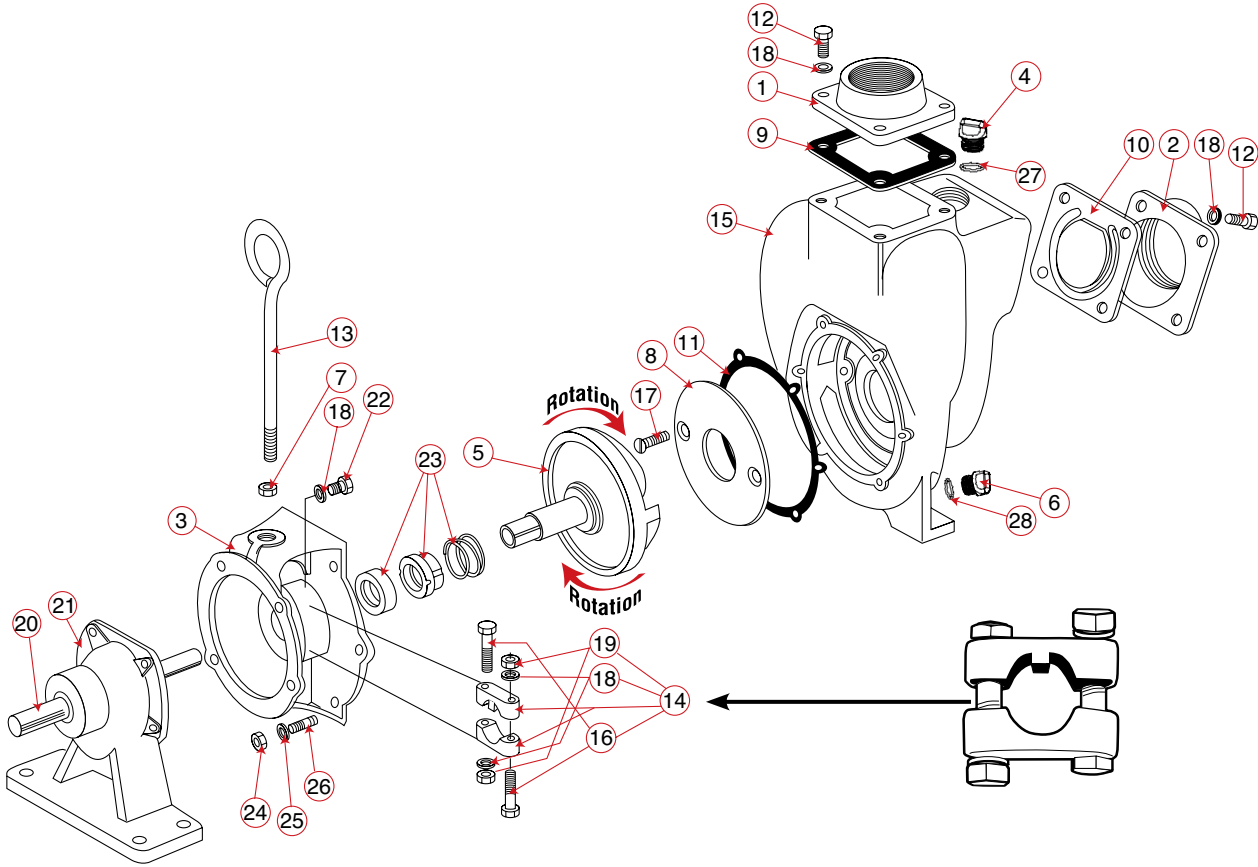
Note: * Recommend: 7 1/2 HP, 3450 RPM, 184TC Frame Size for close coupling to electric motors.



UNIVERSAL BASE PLATE ASSEMBLY				
PART NO	DESCRIPTION	QTY	PRICE	
18700	Base Plate Assembly for 1 1/2", 2" & 3" Cast Iron or Poly Pump (Plate, Coupling Guard, Bolt Bag & Shims)	1	\$464.78	
18702	Replacement Coupling Guard	1	\$33.74	

3" CAST IRON PUMP MANIFOLD FLANGES				
PART NO	DESCRIPTION	QTY	PRICE	
M18008	3" Manifold Outlet Flange	1	\$52.24	
M18012	3" Manifold Inlet Flange	1	\$52.24	





REPLACEMENT PARTS 3" CAST IRON PUMPS				
ITEM	PART NO	DESCRIPTION	QTY	PRICE
1	18008	NPT Outlet Flange	1	\$48.95
1	M18008	3" Manifold Outlet Flange	1	\$52.24
2	18012	NPT Inlet Flange	1	\$52.24
2	M18012	3" Manifold Inlet Flange	1	\$52.24
3	18026	Adapter for Gas Engine & Bearing Pedestal	1	\$157.83
3	18048	C-Flange Adapter	1	\$237.89
3	18049	Hydraulic Motor Adapter	1	\$316.69
N/S	18055	Hydraulic Adapter Shaft	1	\$45.81
4	13777	Plug	1	\$3.07
5	18023	1" Impeller & Drive Shaft for Gas Engine	1	\$282.93
5	18023-1.125	1 1/8" Impeller & Drive Shaft for Electric Motor	1	\$282.93
6	12777	Plug	1	\$2.33
7	18034	5/8" SS Jam Nut	1	\$3.28
8	18004	Wear Plate	1	\$62.70
9	18009	EPDM Outlet Gasket	1	\$9.83
10	18013	Gasket Check Valve Assembly	1	\$48.06
11	18021	Adapter Gasket	1	\$7.64
12	18010SS	3/8" - 16 x 1 1/8" SS Cap Screw HXHD	8	\$1.94
13	18033	Handle	1	\$18.89

REPLACEMENT PARTS 3" CAST IRON PUMPS				
ITEM	PART NO	DESCRIPTION	QTY	PRICE
14	18029	Clamp Assembly (Old Style)	1	\$51.45
14	18129	Clamp Assembly (New Style)	1	\$51.45
15	18001	Pump Housing	1	\$639.78
16	18030	3/8" -24 x 2 1/4" Bolt	2	\$4.57
17	18106	Wear Plate Flat Head Screw	2	\$2.52
18	V20018	3/8" Lock Washer	8	\$0.44
19	18032	3/8" x 24 SS Hex Nut	2	\$0.80
20	18504	1" Shaft	1	\$63.65
21	18500	Bearing Pedestal	1	\$458.15
N/S	18502	Bearing SKF 66306-2RS1/C3	2	\$139.83
22	17704	Bolt	4	\$3.20
23	18025	FKM (viton type) Seal Assembly	1	\$116.54
23	18025SD	Severe Duty Seal	1	\$450.09
24	V20019	3/8" 16 SS Hex Nut	6	\$1.07
25	V20018	3/8" SS Lock Washer	6	\$0.44
26	18218	3/8" -16 x 24 x 2 1/8" SS Stud	6	\$18.20
27	13778	O-Ring	1	\$1.94
28	UV15163	O-Ring	1	\$0.46
N/S	18035	Z-Rail Mounting Bracket (Pair)	1	\$45.49
N/S	18506	Retaining (Snap) Ring	1	\$14.31
N/S	18100	Repair Kit (Consist of items 5, 8,11,17)	1	\$372.93



POLYETHYLENE SUCTION BASKET STRAINER			
PART NO	DESCRIPTION	QTY	PRICE
150SBS	1 1/2" Female Thread Poly Basket	1	\$15.77
200SBS	2" Female Thread Poly Basket	1	\$15.77
300SBS	3" Female Thread Poly Basket	1	\$35.57

3" Cast Iron Wet Seal Pumps

FEATURES

- New compact design!
- Run Dry Capability!
- Durable cast iron construction.
- Dynamically balanced impeller.
- Replaceable inlet & outlet flanges.
- Graphite loaded silicon carbide seal with stainless steel cup and spring with FKM (viton type) rubber.
- Pump end separated from engine.
- Double seal contained in ethylene glycol reservoir.
- 350 gallons per minute.
- 63 P.S.I. maximum pressure.



Seal reservoir
Double Seals!



3" CAST IRON WET SEAL PUMPS W/GAS ENGINES				
PART NO	DESCRIPTION	HP	QTY	PRICE
301PIH13W	3" Cast Iron Wet Seal Pump w/13 HP Honda® Engine w/ Electric Start & Pull Rope	13	1	\$5,463.24

*Truck shipments only.

DO NOT USE WITH FLAMMABLE LIQUIDS.

*See page 204 for available base plate.



Bearing Pedestal
1" shaft for electric motors

Pump Only
for gas engine

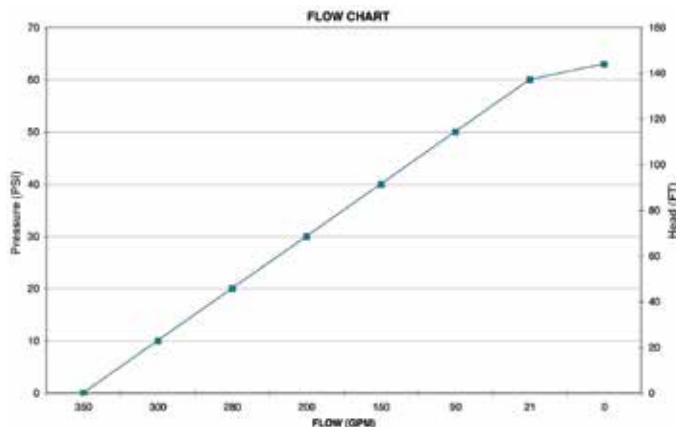
3" CAST IRON WET SEAL BEARING PEDESTALS				
PART NO	DESCRIPTION	HP	QTY	PRICE
301PBIW	3" Cast Iron Wet Seal Pump w/Bearing Pedestal	N/A	1	\$2,805.87

3" CAST IRON WET SEAL PUMP ONLYS				
PART NO	DESCRIPTION	HP	QTY	PRICE
301POIW	3" Cast Iron Wet Seal Pump Only	N/A	1	\$2,652.00

*Truck shipments only.

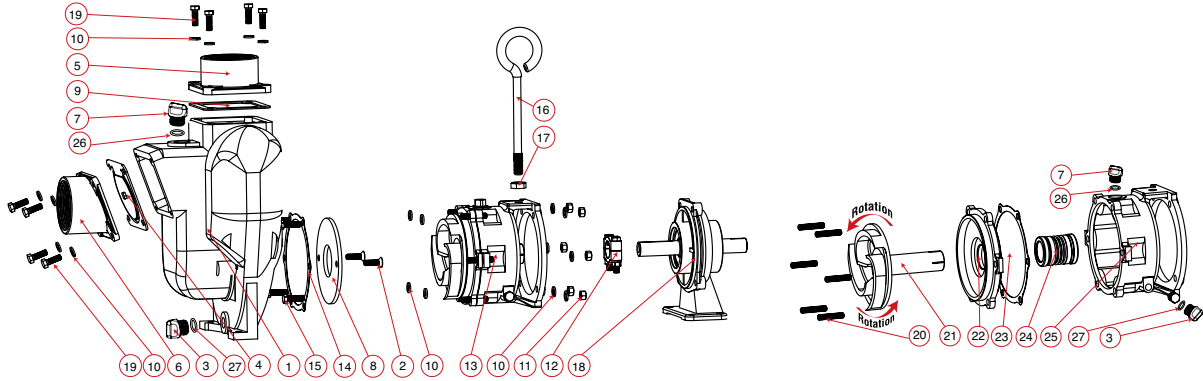


POLYETHYLENE SUCTION BASKET STRAINER			
PART NO	DESCRIPTION	QTY	PRICE
150SBS	1½" Female Thread Poly Basket	1	\$15.77
200SBS	2" Female Thread Poly Basket	1	\$15.77
300SBS	3" Female Thread Poly Basket	1	\$35.57



PUMPS



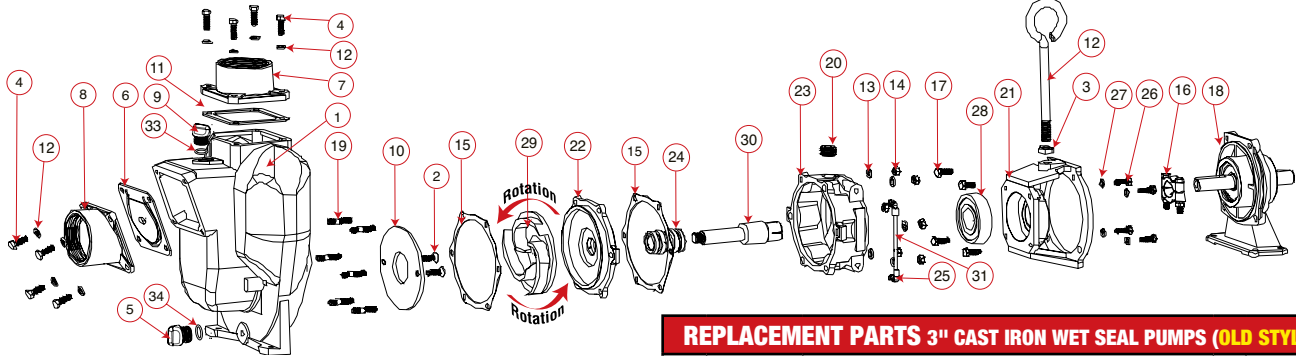


REPLACEMENT PARTS 3" CAST IRON WET SEAL PUMPS (NEW STYLE)

ITEM	PART NO	DESCRIPTION	QTY	PRICE
1	18001	Pump Housing	1	\$639.78
2	18106	Flat Head Socket Cap Screw	2	\$2.52
3	12777	Fill Plug	2	\$2.33
4	18013	Inlet/Check EPDM Gasket	1	\$48.06
5	18008	NPT Outlet Flange	1	\$48.95
6	18012	NPT Inlet Flange	1	\$52.24
7	13777	Plug	2	\$3.07
8	18004	Wear Plate	1	\$62.70
9	18009	EPDM Outlet Gasket	1	\$9.83
10	V20018	3/8" Lock Washer	18	\$0.44
11	V20019	3/8" 16 SS Hex Nut	6	\$1.07
12	18129	Clamp Assembly Keyed	1	\$51.45
13	18200A	Wet Seal Assembly	1	\$1,430.66

REPLACEMENT PARTS 3" CAST IRON WET SEAL PUMPS (NEW STYLE)

ITEM	PART NO	DESCRIPTION	QTY	PRICE
14	18021	Adapter Gasket	1	\$7.64
15	17704	3/8" -16 x 1/4" HHCS	4	\$3.20
16	18033	Handle	1	\$18.89
17	18034	5/8" -11 Jam Nut	1	\$3.28
18	18500	Bearing Pedestal	1	\$458.15
19	18010SS	3/8" -16 x 1 1/8" HHCS	8	\$1.94
20	18218	3/8" -16 x 24 x 2 1/8" SS Stud	6	\$18.20
21	18206	Impeller	1	\$337.69
22	18202A	Cover Plate	1	\$143.30
23	18021	Adapter Gasket	1	\$7.64
24	15035E	EPDM Mechanical Seal Assembly	1	\$231.11
25	18203A	Wet Seal Reservoir	1	\$199.37
26	13778	O-Ring	2	\$1.94
27	UV15163	O-Ring	2	\$0.46



REPLACEMENT PARTS 3" CAST IRON WET SEAL PUMPS (OLD STYLE)

ITEM	PART NO	DESCRIPTION	QTY	PRICE
1	18001	Pump Housing	1	\$639.78
2	18106	Flat Head Socket Cap Screw	2	\$2.52
3	18034	5/8" -11 Jam Nut	1	\$3.28
4	18010SS	3/8" -16 x 1 1/8" HHCS	8	\$1.94
5	12777	Plug	1	\$2.33
6	18013	Inlet/Check EPDM Gasket	1	\$48.06
7	18008	NPT Outlet Flange	1	\$48.95
8	18012	NPT Inlet Flange	1	\$52.24
9	13777	Plug	1	\$3.07
10	18004	Wear Plate	1	\$62.70
11	18009	EPDM Outlet Gasket	1	\$9.83
12	18033	Handle	1	\$18.89
13	V20018	3/8" Lock Washer	18	\$0.44
14	V20019	3/8" 16 SS Hex Nut	6	\$1.07
15	18021	Adapter Gasket	1	\$7.64
16	18029	Clamp Assembly	1	\$51.45
16	18129	Clamp Assembly Keyed	1	\$51.45

REPLACEMENT PARTS 3" CAST IRON WET SEAL PUMPS (OLD STYLE)

ITEM	PART NO	DESCRIPTION	QTY	PRICE
17	17704	3/8" -16 x 1/4" HHCS	4	\$3.20
18	18500	Bearing Pedestal	1	\$458.15
19	18218	3/8" -16 x 24 x 2 1/8" SS Stud	6	\$18.20
20	18205	3/4" Fill Plug	1	\$2.91
21	18203	Wet Seal Adapter	1	\$160.35
22	18202	Cover Plate	1	\$137.84
23	18201	Reservoir	1	\$234.28
24	17235	FKM (viton type) Seal Assembly	1	\$157.53
25	17211	3/16" Legris Male Elbow	2	\$18.49
26	17040	5/16" -24 x 3/4" Bolt	4	\$3.86
27	V10118	5/16" Lock Washer	4	\$0.44
28	18204	Bearing	1	\$191.30
29	18223	Impeller	1	\$337.57
30	18222	Shaft	1	\$212.97
31	17212	Liquid Level Tube	1	\$1.94
33	13778	O-Ring	2	\$1.94
34	UV15163	O-Ring	2	\$0.46
N/S	18100W	Pump Repair Kit (Consist of 2, 10, 15, 25, 29-31)	1	\$517.62

3" Cast Iron Pumps with Hydraulic Motors

PUMP FEATURES

- Rugged construction for dependable service.
- Carbon ceramic seal with stainless steel cup and spring with FKM (viton type) rubber.
- Replaceable inlet and outlet flanges.
- Dynamically balanced impeller.

HYDRAULIC MOTOR

- Hydraulic fluid capacity
Minimum 9 Gallons / Maximum 13 Gallons.
- 21 H.P. Motor.
- Open system.
- Minimum 600 P.S.I. / Maximum 3000 P.S.I.

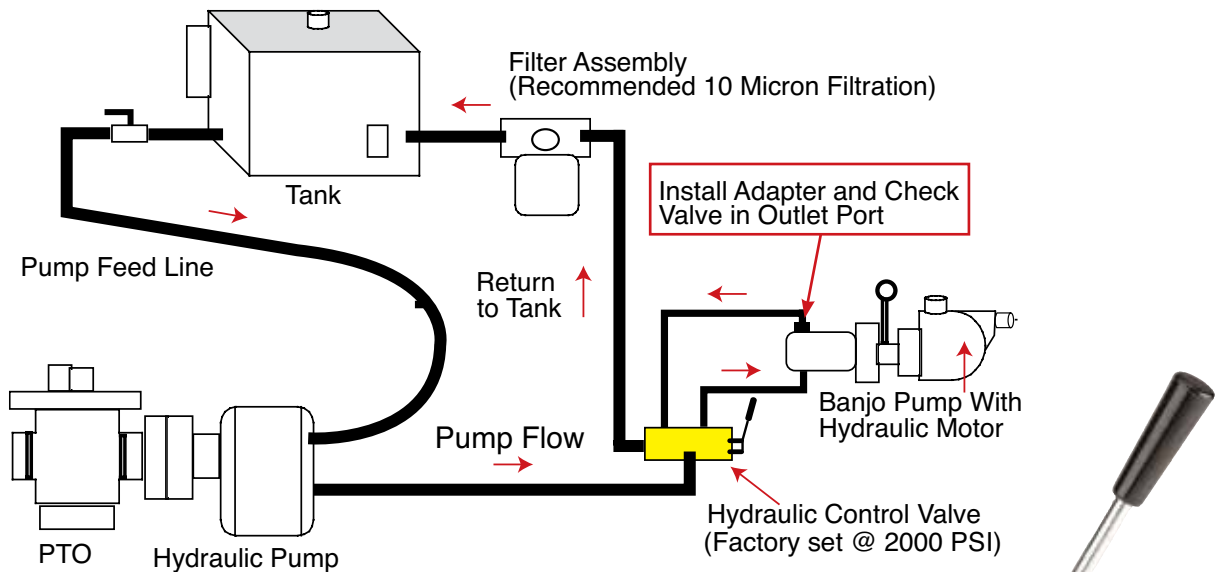
CAUTION-WARNING: Please do not run pumps dry, restrict or reduce port sizes or dead head pumps. This could cause component failure to pump.

DO NOT USE WITH FLAMMABLE LIQUIDS.



3" CAST IRON HYDRAULIC PUMPS				
PART NO	DESCRIPTION	HP	QTY	PRICE
300PIHY	3" Cast Iron Pump w/21 HP Hydraulic Motor	21	1	\$5,057.68

SPOOL VALVE ASSEMBLY DIAGRAM

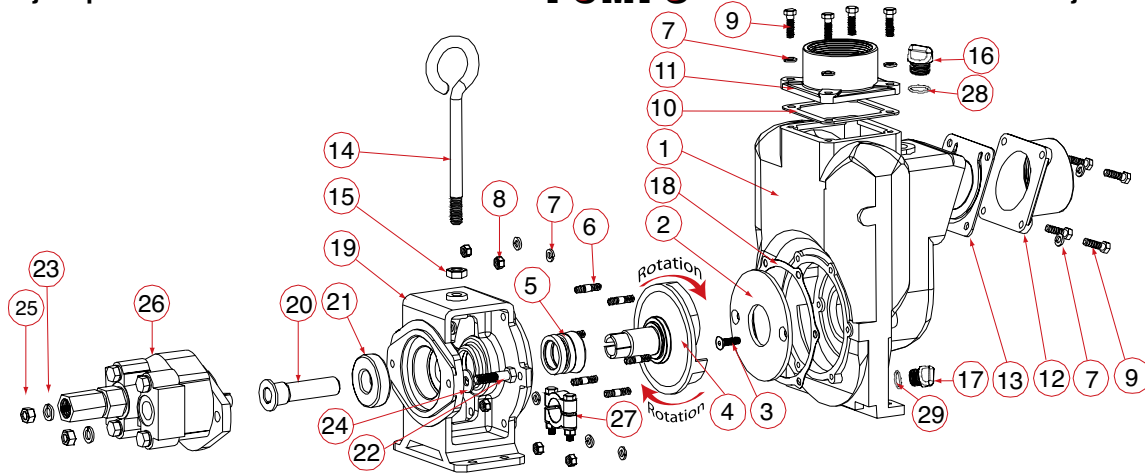


Recommendation:
We recommend using the motor spool control valve or a suitable equivalent. The lack of such a valve in this circuit may cause failure to the hydraulic motor.



HYDRAULIC MOTOR SPOOL VALVE				
PART NO	DESCRIPTION	HP	QTY	PRICE
HSV1000	Hydraulic Motor Spool Valve	N/A	1	\$675.45

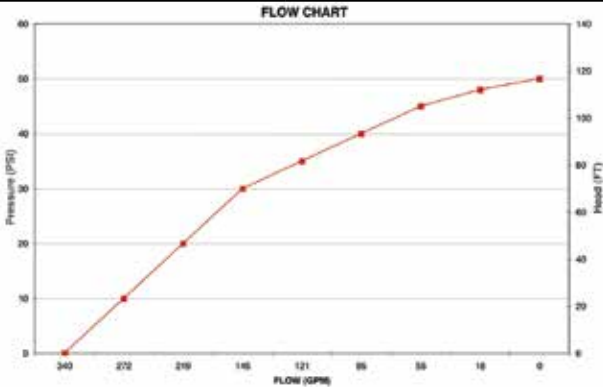




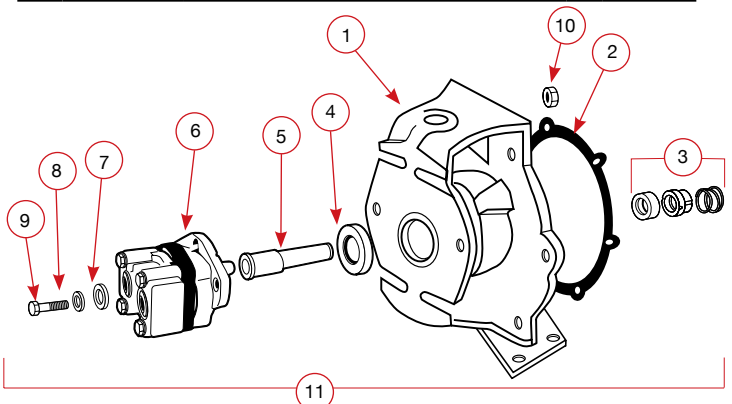
HYDRAULIC MOTOR DATA	
U.S. Gallons/Rev.	0.0038
Cubic Inches/Rev.	0.878
Liters/Rev.	0.0144
Max Hydraulic Pressure	3000 PSI
Min Hydraulic Pressure	600 PSI
Inlet Port	1-1/16-12UN-2B
Outlet Port	1-5/16-12UN-2B
Minimum GPM Required	9 GPM 2370 RPM
Maximum GPM Required	13 GPM 3450 RPM
Ideal GPM Required	9 GPM 3600 RPM
CONNECTION INFORMATION	
Inlet	"A" Port
Outlet	"B" Port
Supplied check valve is to ensure proper rotation of the Banjo pump. Place check valve in outlet port (marked "B") for proper right hand rotation. It is recommended that a minimum 3/4" inlet line & a minimum 1" outlet line be used. The outlet port must be connected directly back to the hydraulic fluid reservoir & not to any valving, regulators or flow diverters. The outlet port/return line back pressure must not exceed 250 PSI.	
SPOOL VALVE INFORMATION	
Required Outlet Flow	Min 9 GPM / Max 13 GPM
Required System Pressure	Min 600 PSI / Max 3000 PSI

REPLACEMENT PARTS 3" CAST IRON HYDRAULIC PUMPS				
ITEM	PART NO	DESCRIPTION	QTY	PRICE
1	18001	Pump Housing	1	\$639.78
2	18004	Wear Plate	1	\$62.70
3	18106	3/8" - 16 x 1.25" HHCS	2	\$2.52
4	18023	Impeller & Drive Shaft	1	\$282.93
5	18025	FKM (viton type) Mechanical Seal	1	\$116.54
5	18025SD	Severe Duty Seal	1	\$450.09
6	18218	3/8" - 16 x 24 x 2 1/8" SS Stud	6	\$18.20
7	V20018	3/8" Lock Washer	14	\$0.44
8	V20019	3/8" 16 SS Hex Nut	6	\$1.07
9	18010SS	3/8" - 16 x 1.25" HHCS	8	\$1.94
10	18009	EPDM Outlet Gasket	1	\$9.83
11	18008	NPT Outlet Flange	1	\$48.95
12	18012	NPT Inlet Flange	1	\$52.24
13	18013	Inlet/Check EPDM Gasket	1	\$48.06
14	18033	Handle	1	\$18.89
15	18034	5/8" - 11 Hex Nut	1	\$3.28
16	13777	Plug	1	\$3.07
17	12777	Plug	1	\$2.33
18	18021	Adapter Gasket	1	\$7.64
19	18049	Hydraulic Motor Adapter	1	\$316.69
20	18055	Hydraulic Adapter Shaft	1	\$45.81
21	18502	Bearing SKF 66306-2RS1/C3	1	\$139.83
22	18056	1/2" - 13 x 2" HHCS	2	\$4.79
23	18058	1/2" Split Washer	2	\$0.73
24	18059	1/2" Flat Washer	2	\$2.09
25	17010	1/2" - 13 Hex Nut	2	\$1.21
26	HY1012	UM16-45A-HX Hydraulic Motor Assembly	1	\$1,510.07
27	18029	Clamp Assembly Unkeyed	1	\$51.45
28	13778	O-Ring	1	\$1.94
29	UV15163	O-Ring	1	\$0.46
N/S	18100	Repair Kit (Consist of 2, 3, 4, 5, 18)	1	\$372.93

SELF-PRIMING CENTRIFUGAL PUMPS



REPLACEMENT PARTS 3" HYDRAULIC ADAPTER				
ITEM	PART NO	DESCRIPTION	QTY	PRICE
1	18049	C-Flange Hydraulic Motor Adapter	1	\$316.69
2	18021	Gasket Adapter	1	\$7.64
3	18025	Seal Assembly	1	\$116.54
4	18502	SKF 66306-2RS1/C3 Bearing	1	\$139.83
5	18055	Hydraulic Adapter Shaft Sleeve	1	\$45.81
6	HY1012	Tyrone® UM16 Hydraulic Motor	1	\$1,510.07
7	18059	1/2" Flat Washer	2	\$2.09
8	18058	1/2" Split Lock Washer	2	\$0.73
9	18056	1/2" - 13" x 2" HHCS Bolt	2	\$4.79
10	17010	1/2" Hex Nut	2	\$1.21
11	18600	Hydraulic Motor Adapter Assembly	1	\$2,042.35
N/S	HY1001	Repair Kit	1	\$221.04



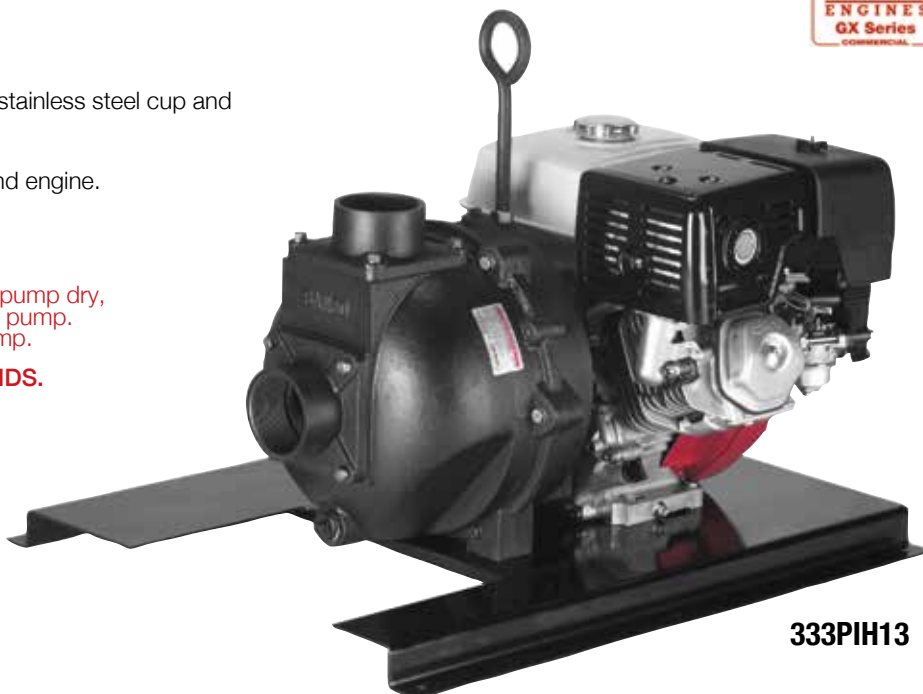
3" 333 Series Cast Iron Pumps

FEATURES

- Durable cast iron construction.
- Dynamically balanced impeller.
- Replaceable inlet and outlet flanges.
- Graphite loaded silicon carbide seal with stainless steel cup and spring with FKM (viton type) rubber.
- Pump end separated from engine.
- Large weep holes between pump end and engine.
- "V" Shaped for quicker priming.

CAUTION-WARNING: Please do not run pump dry, restrict or reduce port sizes, or dead head pump. This could cause component failure to pump.

DO NOT USE WITH FLAMMABLE LIQUIDS.



333PIH13

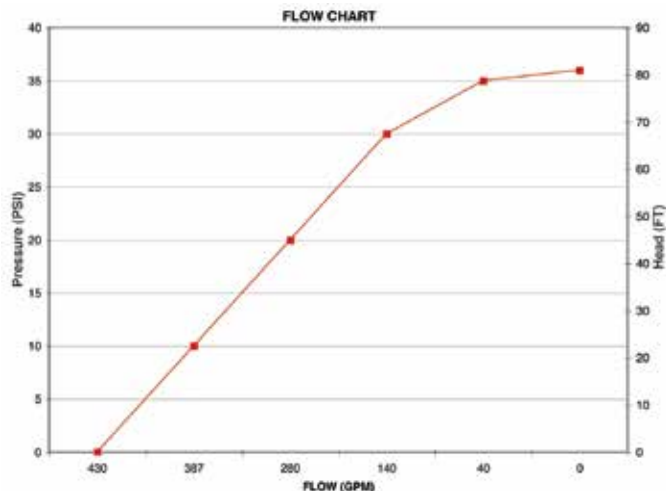
333 SERIES CAST IRON PUMPS W/GAS ENGINES				
PART NO	DESCRIPTION	HP	QTY	PRICE
333PIH13	3" Cast Iron Pump w/13 HP Honda® Engine w/ Electric Start & Pull Rope	13	1	\$6,075.31

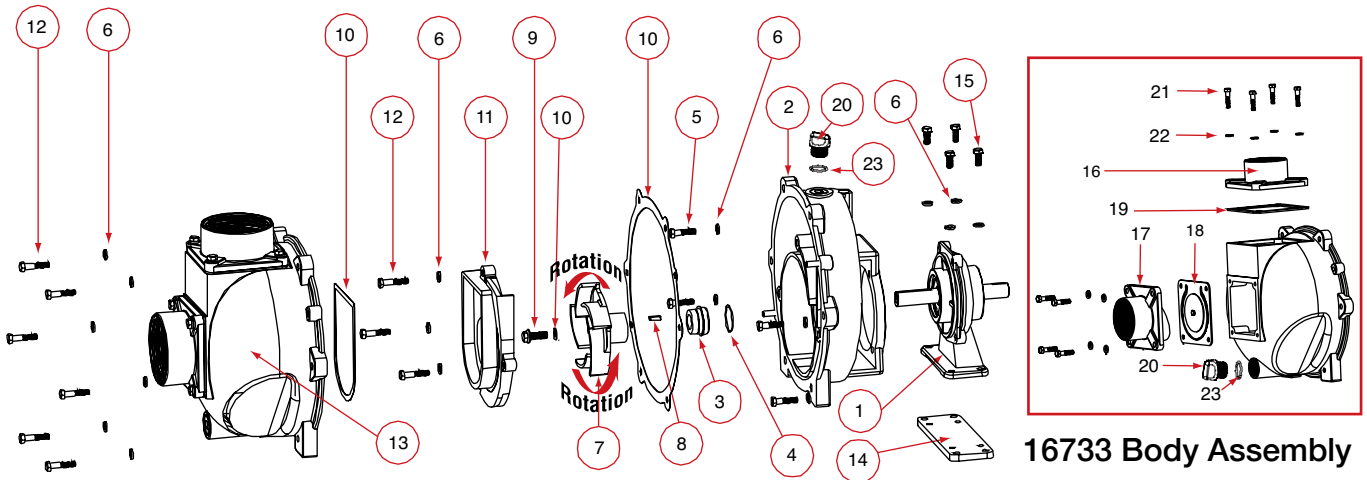
333 SERIES CAST IRON BEARING PEDESTAL				
PART NO	DESCRIPTION	HP	QTY	PRICE
333PBI	3" Cast Iron Bearing Pedestal w/1" Shaft	N/A	1	\$3,550.53

333 SERIES CAST IRON PUMP ONLY				
PART NO	DESCRIPTION	HP	QTY	PRICE
333POI	3" Cast Iron Pump Only w/1" x 3 5/8" Shaft & 5 Vane Impeller Unassembled	N/A	1	\$2,680.65

NOTE: Engine warranty service available at authorized Honda and Briggs & Stratton dealers.

SHIPPING: Truck shipments only.





REPLACEMENT PARTS 333PIH13 & 333PBI				
ITEM	PART NO	DESCRIPTION	QTY	PRICE
N/S	16099	Impeller Removal Bolt	1	\$3.99
1	18500	Bearing Pedestal (333PBI)	1	\$458.15
2	16704	Rear Bracket	1	\$500.30
3	16713	Mechanical Seal	1	\$527.27
4	16710	O-Ring	1	\$2.25
5	17704	3/8" - 16 x 1.25" SS Cap Screw (333PBI)	4	\$3.20
6	V20018	3/8" SS Lock Washer	17	\$0.44
7	16773	3" Impeller (333PBI)	1	\$78.16
7	16774	3" Impeller (333PIH13 & 333POI)	1	\$188.55
8	16901	1/4" SQ. 3/4" Key Stock	1	\$3.20
9	16765	Impeller Bolt (333PBI)	1	\$24.32
9	13765	Impeller Bolt (333PIH13)	1	\$17.26
10	16019	Gasket Set	1	\$15.44
11	16702	Volute	1	\$183.25
12	V20011SS	3/8" - 16 x 1.75" SS Bolt	9	\$1.07
13	16733	Body	1	\$758.50
14	18511	Adapter Plate (333PBI)	1	\$110.75
15	18512	3/8" - 16 x 0.875" SS HHCS (333PBI)	4	\$1.62
N/S	16751	Bracket Shim Set	1	\$3.20
N/S	16752	Impeller Shim	1	\$3.08
N/S	18033	Handle	1	\$18.89
N/S	18034	5/8" SS Jam Nut	1	\$3.28
16	16001	Outlet Flange	1	\$52.35
17	16003	Inlet Flange	1	\$63.00
18	16706	FKM (viton type) Inlet Gasket w/ Check	1	\$109.07
19	16011	FKM (viton type) Outlet Gasket	1	\$27.41
20	13777	Plug	2	\$3.07
21	18027	3/8" - 16 x 1.50" HHCS (333PIH13)	8	\$1.94
22	V20018	3/8" SS Lock Washer	8	\$0.44
23	13778	O-Ring	2	\$1.94

REPLACEMENT PARTS 333PIE15				
ITEM	PART NO	DESCRIPTION	QTY	PRICE
N/S	16099	Impeller Removal Bolt	1	\$3.99
2	16704A	Rear Bracket w/C-Face Adapter	1	\$499.61
3	15025	Mechanical Seal	1	\$227.10
6	V20018	3/8" SS Lock Washer	8	\$0.44
7	16773A	3" Impeller - 5 Vane	1	\$84.43
8	17901	1/4" SQ. 3/4" Key Stock	1	\$3.20
9	16765	7/16-20 1 1/4" HFS	1	\$24.32
10	16019	Gasket Set	1	\$15.44
11	16702	Volute	1	\$183.25
12	V20011SS	3/8" - 16 x 1.75" SS Bolt	9	\$1.07
13	16733	Body	1	\$758.50
N/S	16751	Bracket Shim Set	1	\$3.20
N/S	16752	Impeller Shim	1	\$3.08
N/S	18033	Handle	1	\$18.89
N/S	18034	5/8" SS Jam Nut	1	\$3.28
16	16001	Outlet Flange	1	\$52.35
17	16003	Inlet Flange	1	\$63.00
18	16706	FKM (viton type) Inlet Gasket w/ Check	1	\$109.07
19	16011	FKM (viton type) Outlet Gasket	1	\$27.41
20	13777	Plug	2	\$3.07
21	18027	3/8" - 16 x 1.50" HHCS	8	\$1.94
22	V20018	3/8" SS Lock Washer	4	\$0.44
23	13778	O-Ring	2	\$1.94

3" 333 Series Cast Iron Pumps with Electric Motors

FEATURES

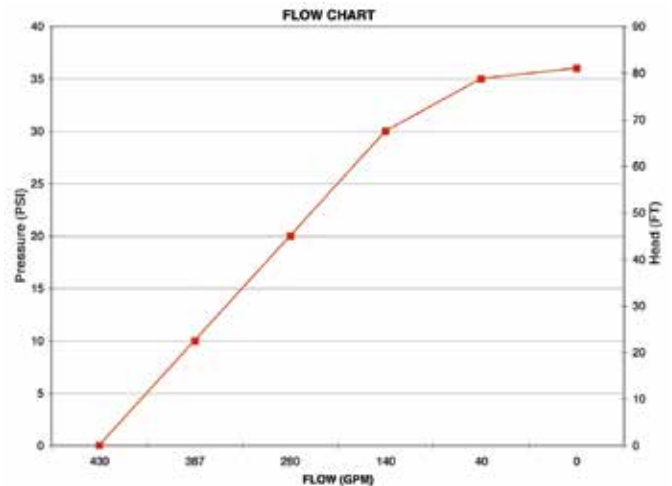
- Durable cast iron construction.
- Dynamically balanced impeller.
- Replaceable inlet and outlet flanges.
- Graphite loaded silicon carbide seal with stainless steel cup and spring with FKM (viton type) rubber.
- Pump end separated from engine.
- Large weep holes between pump end and engine.
- "V" Shaped for quicker priming.

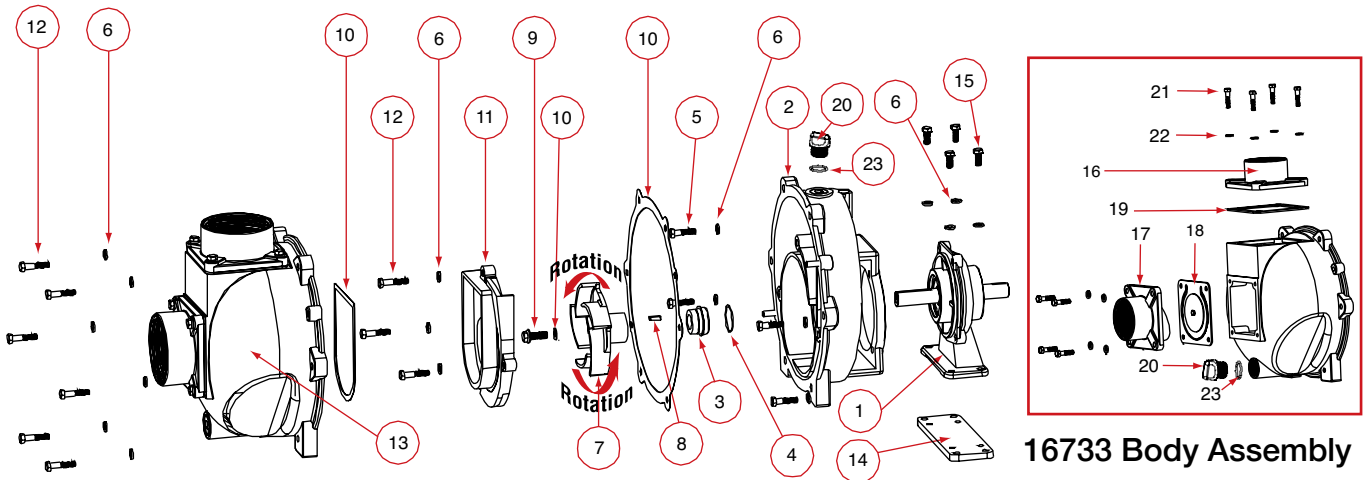
CAUTION-WARNING: Please do not run pump dry, restrict or reduce port sizes, or dead head pump. This could cause component failure to pump.

DO NOT USE WITH FLAMMABLE LIQUIDS.



333 SERIES CAST IRON PUMPS W/ELECTRIC MOTORS				
PART NO	DESCRIPTION	HP	QTY	PRICE
333PIE15	3" Cast Iron Pump w/15 HP Three Phase Electric Motor	15	1	\$6,783.64





16733 Body Assembly

REPLACEMENT PARTS 333PIH13 & 333PBI				
ITEM	PART NO	DESCRIPTION	QTY	PRICE
N/S	16099	Impeller Removal Bolt	1	\$3.99
1	18500	Bearing Pedestal (333PBI)	1	\$458.15
2	16704	Rear Bracket	1	\$500.30
3	16713	Mechanical Seal	1	\$527.27
4	16710	O-Ring	1	\$2.25
5	17704	3/8" - 16 x 1.25" SS Cap Screw (333PBI)	4	\$3.20
6	V20018	3/8" SS Lock Washer	17	\$0.44
7	16773	3" Impeller (333PBI)	1	\$78.16
7	16774	3" Impeller (333PIH13 & 333POI)	1	\$188.55
8	16901	1/4" SQ. 3/4" Key Stock	1	\$3.20
9	16765	Impeller Bolt (333PBI)	1	\$24.32
9	13765	Impeller Bolt (333PIH13)	1	\$17.26
10	16019	Gasket Set	1	\$15.44
11	16702	Volute	1	\$183.25
12	V20011SS	3/8" - 16 x 1.75" SS Bolt	9	\$1.07
13	16733	Body	1	\$758.50
14	18511	Adapter Plate (333PBI)	1	\$110.75
15	18512	3/8" - 16 x 0.875" SS HHCS (333PBI)	4	\$1.62
N/S	16751	Bracket Shim Set	1	\$3.20
N/S	16752	Impeller Shim	1	\$3.08
N/S	18033	Handle	1	\$18.89
N/S	18034	5/8" SS Jam Nut	1	\$3.28
16	16001	Outlet Flange	1	\$52.35
17	16003	Inlet Flange	1	\$63.00
18	16706	FKM (viton type) Inlet Gasket w/ Check	1	\$109.07
19	16011	FKM (viton type) Outlet Gasket	1	\$27.41
20	13777	Plug	2	\$3.07
21	18027	3/8" - 16 x 1.50" HHCS (333PIH13)	8	\$1.94
22	V20018	3/8" SS Lock Washer	8	\$0.44
23	13778	O-Ring	2	\$1.94

REPLACEMENT PARTS 333PIE15				
ITEM	PART NO	DESCRIPTION	QTY	PRICE
N/S	16099	Impeller Removal Bolt	1	\$3.99
2	16704A	Rear Bracket w/C-Face Adapter	1	\$499.61
3	15025	Mechanical Seal	1	\$227.10
6	V20018	3/8" SS Lock Washer	8	\$0.44
7	16773A	3" Impeller - 5 Vane	1	\$84.43
8	17901	1/4" SQ. 3/4" Key Stock	1	\$3.20
9	16765	7/16-20 1 1/4" HFS	1	\$24.32
10	16019	Gasket Set	1	\$15.44
11	16702	Volute	1	\$183.25
12	V20011SS	3/8" - 16 x 1.75" SS Bolt	9	\$1.07
13	16733	Body	1	\$758.50
N/S	16751	Bracket Shim Set	1	\$3.20
N/S	16752	Impeller Shim	1	\$3.08
N/S	18033	Handle	1	\$18.89
N/S	18034	5/8" SS Jam Nut	1	\$3.28
16	16001	Outlet Flange	1	\$52.35
17	16003	Inlet Flange	1	\$63.00
18	16706	FKM (viton type) Inlet Gasket w/ Check	1	\$109.07
19	16011	FKM (viton type) Outlet Gasket	1	\$27.41
20	13777	Plug	2	\$3.07
21	18027	3/8" - 16 x 1.50" HHCS	8	\$1.94
22	V20018	3/8" SS Lock Washer	4	\$0.44
23	13778	O-Ring	2	\$1.94

SELF-PRIMING CENTRIFUGAL PUMPS

3" M332 Series Cast Iron Manifold Wet Seal Pumps

FEATURES

- Durable cast iron construction.
- Dynamically balanced impeller.
- Carbon ceramic seal with stainless steel cup and spring with FKM (viton type) rubber.
- Pump end separated from engine.
- Large weep holes between pump end and engine or motor.
- "V" Shaped for quicker priming.

DO NOT USE WITH FLAMMABLE LIQUIDS.

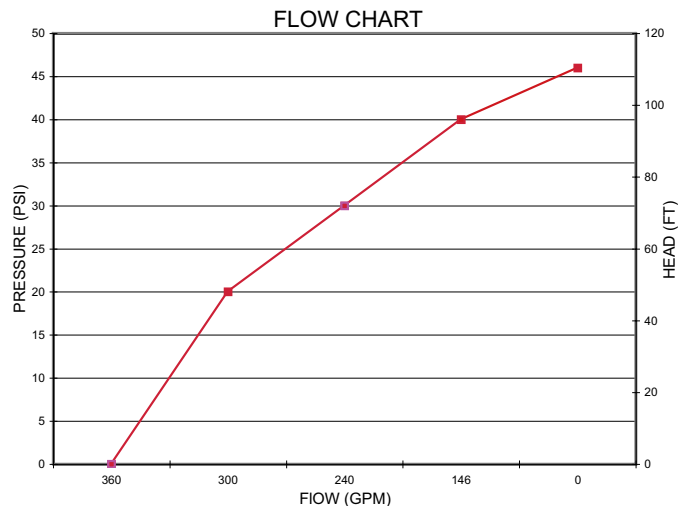


3" MANIFOLD WET SEAL CI PUMPS W/GAS ENGINES				
PART NO	DESCRIPTION	HP	QTY	PRICE
M332PIH13W	3" Manifold Cast Iron Wet Seal Pump w/13 HP Honda® Engine w/Electric Start & Pull Rope	13	1	\$4,658.30

3" MANIFOLD WET SEAL CI PUMPS W/ELECTRIC MOTORS				
PART NO	DESCRIPTION	HP	QTY	PRICE
M332PIE10W	3" Manifold Cast Iron Wet Seal Pump w/10HP Three Phase Electric Motor	10	1	\$4,658.30
M332PIE101W	3" Manifold Cast Iron Wet Seal Pump w/10HP Single Phase Electric Motor	10	1	\$6,230.47

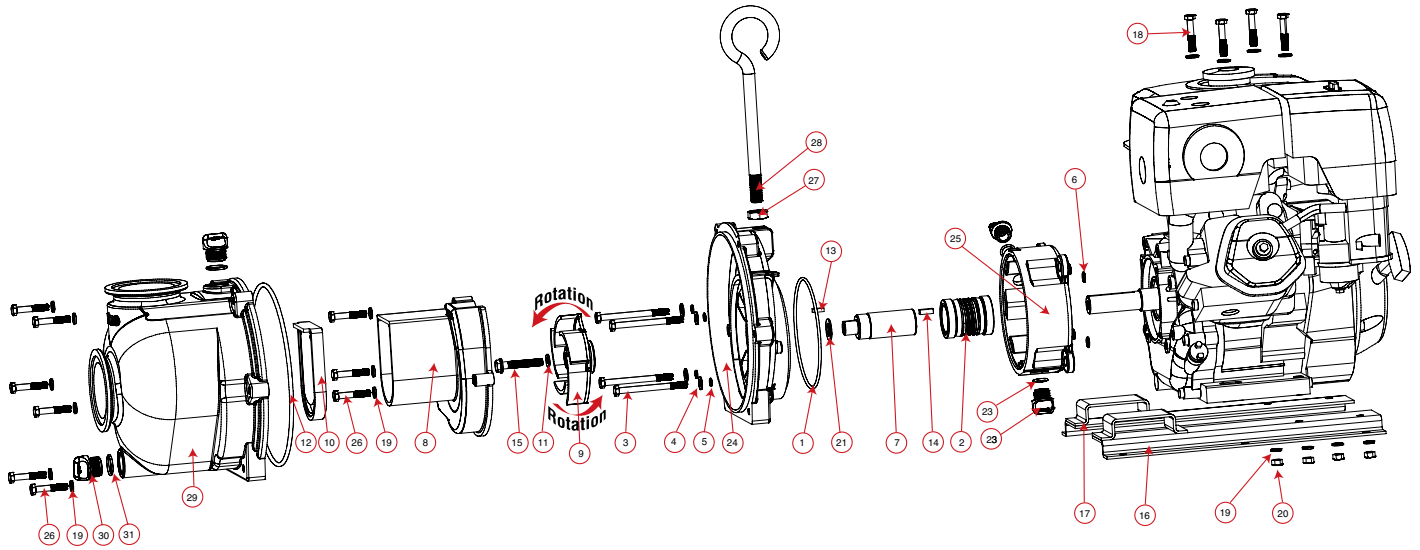
3" MANIFOLD WET SEAL CAST IRON PUMP ONLY				
PART NO	DESCRIPTION	HP	QTY	PRICE
M332POIW	3" Manifold Cast Iron Wet Seal Pump Only w/ " x " Shaft & Vane Impeller	N/A	1	\$2,060.40

3" MANIFOLD WET SEAL CAST IRON BEARING PEDESTAL				
PART NO	DESCRIPTION	HP	QTY	PRICE
M332PBIW	3" Manifold Cast Iron Wet Seal Bearing Pedestal w/ " Shaft	N/A	1	\$2,601.00



PUMPS





REPLACEMENT PARTS M332 WET SEAL CAST IRON PUMPS				
ITEM	PART NO	DESCRIPTION	QTY	PRICE
1	13719	O-Ring	1	\$2.74
2	15035E	EPDM Mechanical Seal Assembly	1	\$231.11
3	12034	5/16" - 24 x 3/4" HHCS	4	\$8.86
4	12901	5/16" Flat Washer	8	\$0.46
5	12717	O-Ring for Bracket Screw	4	\$0.68
6	12709	O-Ring	4	\$0.72
7	13055	Adapter Shaft	1	\$114.13
8	19702	Volute	1	\$105.76
9	19772	5 Vane Impeller	1	\$70.33
10	12705	Check Valve	1	\$15.77
11	12774VA	Impeller Bolt Gasket	1	\$1.45
12	12719A	Body O-Ring	1	\$13.80
13	12902A	Impeller Key	1	\$1.61
14	16901	1/4" sq x 3/4" Key Stock	1	\$3.20
15	13766	3/8" - 24 x 2 1/4" HFS	1	\$3.78

REPLACEMENT PARTS M332 WET SEAL CAST IRON PUMPS				
ITEM	PART NO	DESCRIPTION	QTY	PRICE
16	18135B	Z-Rail	1	\$22.76
17	18135A	Z-Rail	1	\$22.76
18	17029	5/16" - 18 x 1 3/4" HHCS	4	\$1.21
19	V10118	5/16" Lock Washer	13	\$0.44
20	V10119	5/16" Hex Nut	4	\$0.58
21	CV10175	Gasket	2	\$1.36
22	12777	Prime/Drain Plug	2	\$2.33
23	UV15163	O-Ring	2	\$0.46
24	19703W	Rear Bracket	1	\$136.15
25	19201W	Wet Seal Reservoir	1	\$102.40
26	12715A	5/16" - 24 x 1 3/4" HHCS	9	\$3.84
27	18034	5/8"-11 Jam Nut	1	\$3.28
28	18033	Pump Handle	1	\$18.89
29	M19712X	Pump Body	1	\$216.04
30	13777	3/4" Drain Plug	2	\$3.07
31	13778	O-Ring	2	\$1.94

3" M332 Series Cast Iron Manifold Wet Seal Pumps with Hydraulic Motors

FEATURES

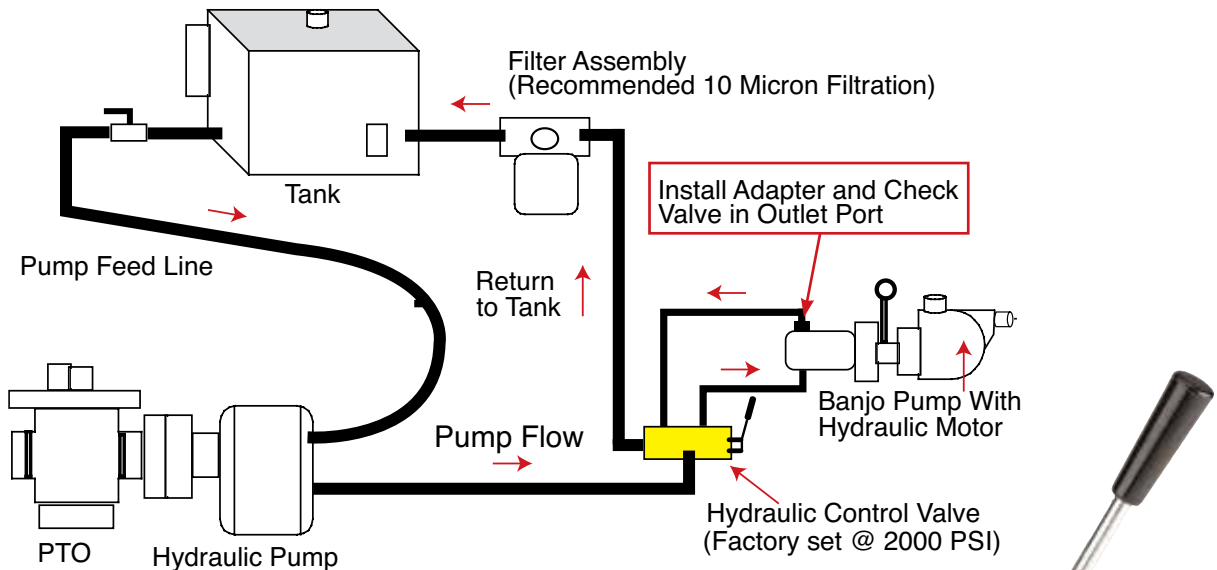
- Durable cast iron construction.
- Dynamically balanced impeller.
- Carbon ceramic seal with stainless steel cup and spring with FKM (viton type) rubber.
- Pump end separated from engine.
- Large weep holes between pump end and motor.
- "V" Shaped for quicker priming.

DO NOT USE WITH FLAMMABLE LIQUIDS.



3" MANIFOLD WET SEAL CI HYDRAULIC PUMP				
PART NO	DESCRIPTION	HP	QTY	PRICE
M332PIHYW	3" Manifold Cast Iron Wet Seal Pump w/21 HP Hydraulic Motor	21	1	\$3,831.02

SPOOL VALVE ASSEMBLY DIAGRAM

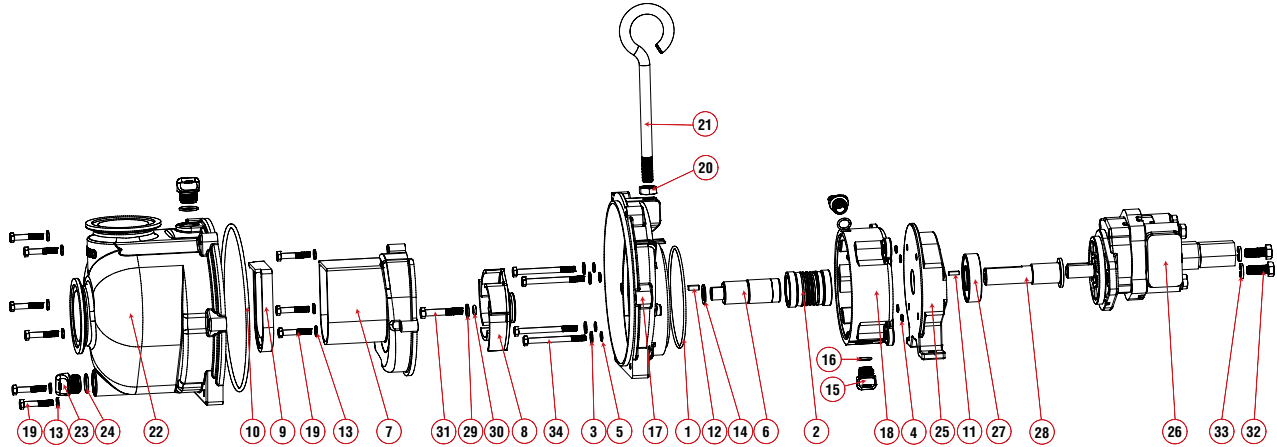


Recommendation:
We recommend using the motor spool control valve or a suitable equivalent. The lack of such a valve in this circuit may cause failure to the hydraulic motor.



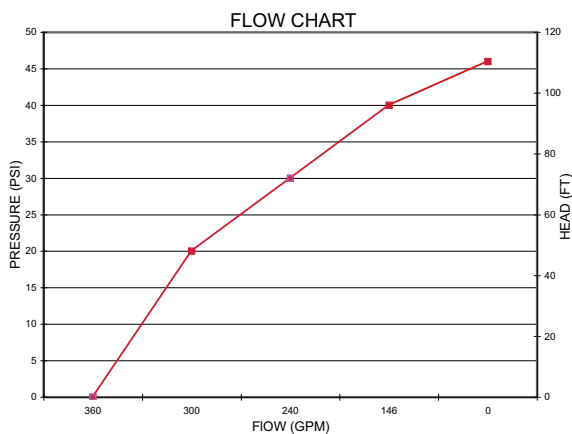
HYDRAULIC MOTOR SPOOL VALVE				
PART NO	DESCRIPTION	HP	QTY	PRICE
HSV1000	Hydraulic Motor Spool Valve	N/A	1	\$675.45





HYDRAULIC MOTOR DATA	
U.S. Gallons/Rev.	0.0038
Cubic Inches/Rev.	0.878
Liters/Rev.	0.0144
Max Hydraulic Pressure	3000 PSI
Min Hydraulic Pressure	600 PSI
Inlet Port	1-1/16-12UN-2B
Outlet Port	1-5/16-12UN-2B
Minimum GPM Required	9 GPM 2370 RPM
Maximum GPM Required	13 GPM 3450 RPM
Ideal GPM Required	9 GPM 3600 RPM
CONNECTION INFORMATION	
Inlet	"A" Port
Outlet	"B" Port
Supplied check valve is to ensure proper rotation of the Banjo pump. Place check valve in outlet port (marked "B") for proper right hand rotation. It is recommended that a minimum 3/4" inlet line & a minimum 1" outlet line be used. The outlet port must be connected directly back to the hydraulic fluid reservoir & not to any valving, regulators or flow diverters. The outlet port/return line back pressure must not exceed 250 PSI.	
SPOOL VALVE INFORMATION	
Required Outlet Flow	Min 9 GPM / Max 13 GPM
Required System Pressure	Min 600 PSI / Max 3000 PSI

REPLACEMENT PARTS M332 WET SEAL HYDRAULIC PUMP				
ITEM	PART NO	DESCRIPTION	QTY	PRICE
1	13719	O-Ring	1	\$2.74
2	15035E	EPDM Mechanical Seal Assembly	1	\$231.11
3	12901	SS Rear Bracket Washer	4	\$0.46
4	12717	O-Ring for Screw Head	4	\$0.68
5	12709	O-Ring	4	\$0.72
6	13055	Adapter Shaft	1	\$114.13
7	19702	Volute	1	\$105.76
8	19772	5 Vane Impeller	1	\$70.33
9	12705	Check Valve	1	\$15.77
10	12719A	Body O-Ring	1	\$13.80
11	12902A	Impeller Key	1	\$1.61
12	16901	1/4" SQ. 3/4" Key Stock	1	\$3.20
13	V10118	5/16" SS Lock Washer	9	\$0.44
14	CV10175	Gasket	2	\$1.36
15	12777	Prime/Drain Plug	2	\$2.33
16	UV15163	Prime/Drain Plug O-Ring	2	\$0.46
17	19703W	Rear Bracket	1	\$136.15
18	19201W	Wet Seal Reservoir	1	\$102.40
19	12715A	SS Bracket Screws	9	\$3.84
20	18034	5/8" SS Jam Nut	1	\$3.28
21	18033	Handle	1	\$18.89
22	M19712X	Pump Body	1	\$216.04
23	13777	Prime/Drain Plug	2	\$3.07
24	13778	Prime/Drain Plug O-Ring	2	\$1.94
25	19001H	Reservoir Backing Plate	1	\$124.60
26	HY1012	Tyrone® UM16 Hydraulic Motor	1	\$1,510.07
27	18502	SKF 63306-2RS1/C3 Bearing	1	\$139.83
28	18055H	Hydraulic Motor Adapter Shaft	1	\$128.17
29	19766	3/8" Flat Washer	1	\$0.70
30	A203V	O-Ring	1	\$1.61
31	BF207	3/8" - 16 x 2 1/4" HHCS	1	\$2.20
32	17449	Bolt	2	\$3.20
33	18058	1/2" Split Lock Washer	2	\$0.73
34	V10117	5/16" x 3 1/2" SS Body Bolt	4	\$1.44



SELF-PRIMING CENTRIFUGAL PUMPS

4" 444 Series Cast Iron Pumps

FEATURES

- Durable cast iron construction.
- Dynamically balanced impeller.
- Replaceable inlet and outlet flanges.
- Graphite loaded silicon carbide seal with stainless steel cup and spring with FKM (viton type) rubber.
- Pump end separated from engine.
- Large weep holes between pump end and engine.
- "V" Shaped for quicker priming.

CAUTION-WARNING: Please do not run pump dry, restrict or reduce port sizes, or dead head pump. This could cause component failure to pump.

DO NOT USE WITH FLAMMABLE LIQUIDS.



444 SERIES CAST IRON PUMPS W/GAS ENGINES				
PART NO	DESCRIPTION	HP	QTY	PRICE
444PI23	4" Cast Iron Pump w/23 HP Briggs & Stratton® Vanguard® Engine	23	1	\$7,983.51
444PIH24	4" Cast Iron Pump w/24 HP Honda® Engine	24	1	\$9,950.38

444 SERIES CAST IRON BEARING PEDESTAL				
PART NO	DESCRIPTION	HP	QTY	PRICE
444PBI	4" Cast Iron Bearing Pedestal w/1" Shaft	N/A	1	\$3,550.53
433PBI	4" Cast Iron Bearing Pedestal w/1" Shaft w/4" Inlet & 3" Outlet	N/A	1	\$3,550.53

444 SERIES CAST IRON PUMP ONLY				
PART NO	DESCRIPTION	HP	QTY	PRICE
444POI	4" Cast Iron Pump Only w/ 1 1/8" x 3 1/2" Shaft & 6 Vane Impeller Unassembled	N/A	1	\$3,148.74

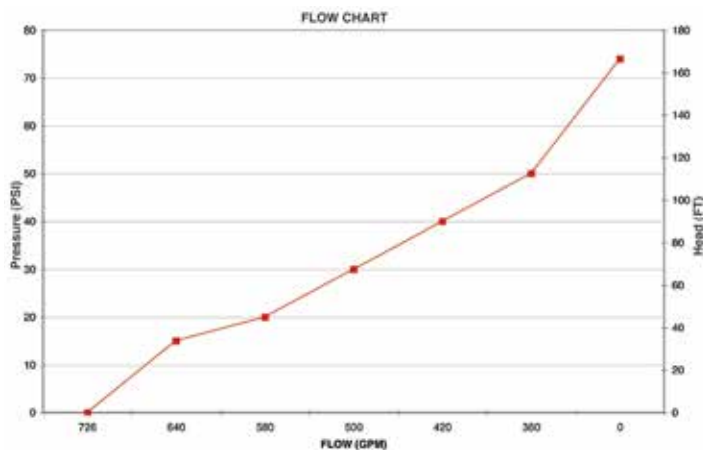


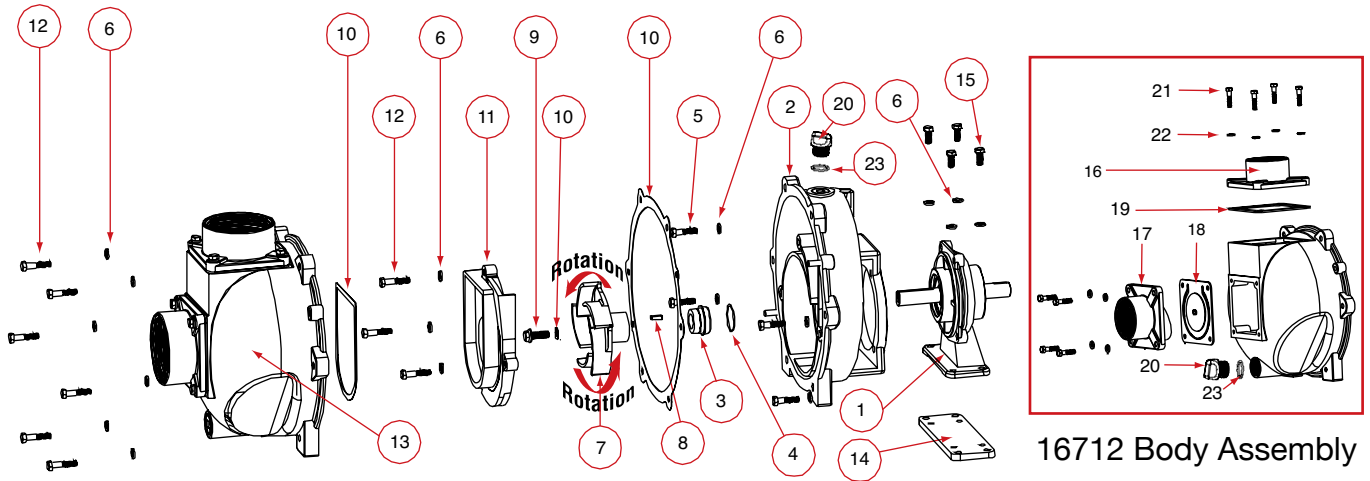
Graphite Loaded Silicon Carbide Seal for Longer Seal Life.



Better Run Dry Capabilities!

NOTE: Engine warranty service available at authorized Honda dealers.
SHIPPING: Truck shipments only.





REPLACEMENT PARTS 444PI23 & 444PIH24 & 444PO1				
ITEM	PART NO	DESCRIPTION	QTY	PRICE
N/S	16099	Impeller Removal Bolt	1	\$3.99
2	16707	Rear Bracket	1	\$500.30
3	18435	Mechanical Seal	1	\$613.31
4	V10264	O-Ring	1	\$6.07
5	17704	3/8" - 16 x 1.25" SS Cap Screw	4	\$3.20
6	V20018	3/8" SS Lock Washer	13	\$0.44
7	16775	4" Impeller	1	\$79.69
8	16901	1/4" SQ. 3/4" Key Stock	1	\$3.20
9	16765	Impeller Bolt	1	\$24.32
10	16019	Gasket Set	1	\$15.44
11	16702	Volute	1	\$183.25
12	V20011SS	3/8" - 16 x 1.75" SS Bolt	9	\$1.07
13	16712	Body	1	\$788.96
N/S	16751	Bracket Shim Set	1	\$3.20
N/S	16752	Impeller Shim	1	\$3.08
N/S	18033	Handle	1	\$18.89
N/S	18034	5/8" SS Jam Nut	1	\$3.28
16	16000	Outlet Flange	1	\$56.20
17	16002	Inlet Flange	1	\$64.56
18	16706	Inlet Gasket w/ Check	1	\$109.07
19	16011	Outlet Gasket	1	\$27.41
20	13777	Plug	2	\$3.07
21	18027	3/8" - 16 x 1.50" HHCS	8	\$1.94
22	V20018	3/8" SS Lock Washer	8	\$0.44
23	13778	O-Ring	2	\$1.94

REPLACEMENT PARTS 444PBI & 433PBI				
ITEM	PART NO	DESCRIPTION	QTY	PRICE
N/S	16099	Impeller Removal Bolt	1	\$3.99
1	18500	Bearing Pedestal	1	\$458.15
2	16703	Rear Bracket (444PBI)	1	\$523.40
2	16704	Rear Bracket (433PBI)	1	\$500.30
3	16713	Mechanical Seal	1	\$527.27
4	16710	O-Ring	1	\$2.25
5	17704	3/8" - 16 x 1.25" SS Cap Screw	4	\$3.20
6	V20018	3/8" SS Lock Washer	17	\$0.44
7	16772	4" Impeller -5 Vane (444PBI)	1	\$79.69
7	16773	3" Impeller (433PBI)	1	\$78.16
8	16901	1/4" SQ. 3/4" Key Stock	1	\$3.20
9	16765	Impeller Bolt	1	\$24.32
10	16019	Gasket Set	1	\$15.44
11	16702	Volute	1	\$183.25
12	V20011SS	3/8" - 16 x 1.75" SS Bolt	9	\$1.07
13	16712	Body (444PBI)	1	\$788.96
13	16743	Body (433PBI)	1	\$762.24
14	18511	Adapter Plate	1	\$110.75
15	18512	3/8" - 16 x 0.875" SS HHCS	4	\$1.62
N/S	16751	Bracket Shim Set	1	\$3.20
N/S	16752	Impeller Shim	1	\$3.08
N/S	18033	Handle	1	\$18.89
N/S	18034	5/8" SS Jam Nut	1	\$3.28
16	16000	4" Outlet Flange (444PBI)	1	\$56.20
16	16001	3" Outlet Flange (433PBI)	1	\$52.35
17	16002	Inlet Flange	1	\$64.56
18	16706	Inlet Gasket w/ Check	1	\$109.07
19	16011	Outlet Gasket	1	\$27.41
20	13777	Plug	2	\$3.07
21	18027	3/8" - 16 x 1.50" HHCS	8	\$1.94
22	V20018	3/8" SS Lock Washer	8	\$0.44
23	13778	O-Ring	2	\$1.94

2" 316 Stainless Steel Pumps with Gas Engines

FEATURES

- Carbon ceramic seal consists of 316 stainless steel cup and spring with FKM (viton type) Elastomer.
- All 316 stainless steel wettable internal components:
 - Impeller –Sleeve –Wear plate –Fasteners
- 316 stainless steel housing.
- Dynamically balanced impeller.

CAUTION-WARNING: Please do not run pumps dry, restrict or reduce port sizes or dead head pumps. This could cause component failure to pump.

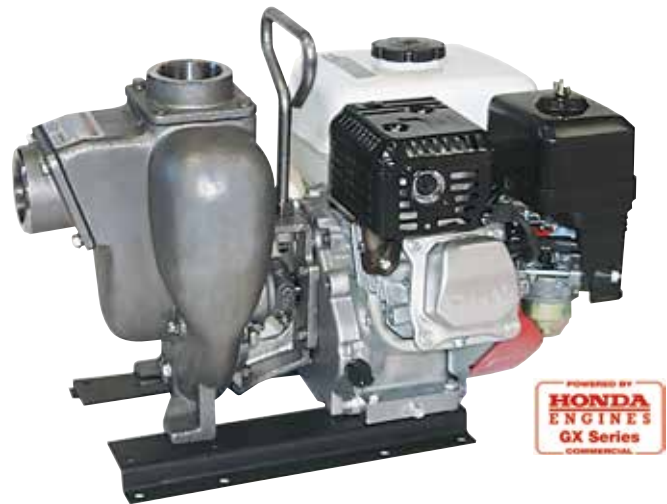
DO NOT USE WITH FLAMMABLE LIQUIDS.



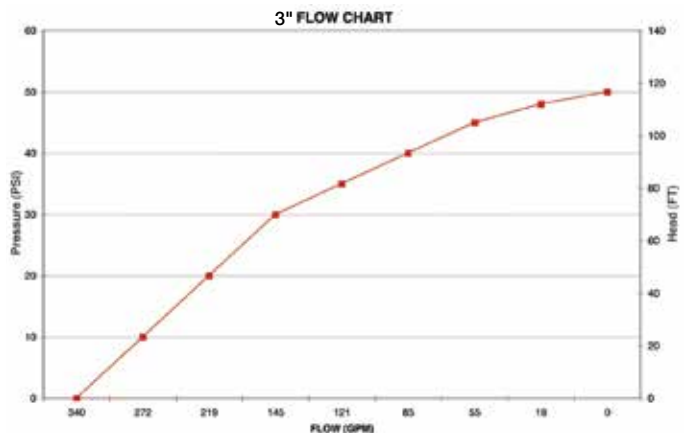
2" STAINLESS STEEL PUMPS W/GAS ENGINES				
PART NO	DESCRIPTION	HP	QTY	PRICE
200PH5-SS	2" SS Pump w/5.5 HP Honda® Engine w/ Pull Rope Only	5.5	1	\$4,797.46
200P6PROSS	2" SS Pump w/6.5 HP Briggs & Stratton® Engine Pro Series w/Pull Rope Only	6.5	1	\$4,358.87

*Truck Shipments Only with the exception of 200PH5-SS

NOTE: Engine warranty service available at authorized Honda and Briggs & Stratton dealers.

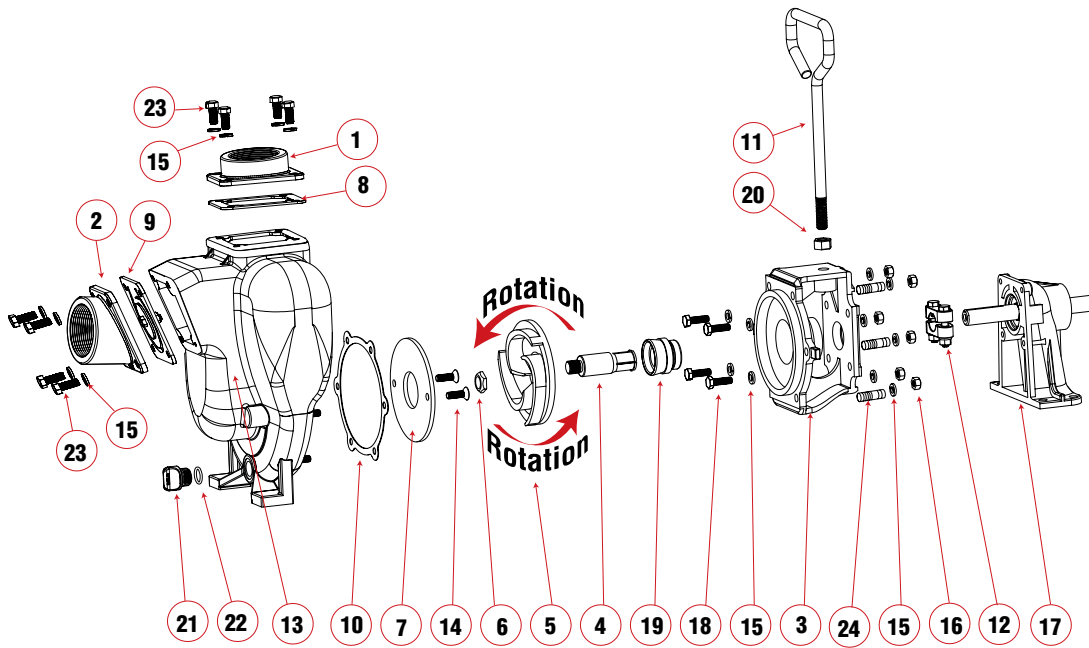


UNIVERSAL BASE PLATE ASSEMBLY				
PART NO	DESCRIPTION	QTY	PRICE	
18700	Base Plate Assembly for 1½", 2" & 3" Cast Iron or Poly Pump (Plate, Coupling Guard, Bolt Bag & Shims)	1	\$464.78	
18702	Replacement Coupling Guard	1	\$33.74	



PUMPS





REPLACEMENT PARTS 2" SS PUMPS				
ITEM	PART NO	DESCRIPTION	QTY	PRICE
1	17000SS	SS Outlet Flange	1	\$91.31
2	17002SS	SS Inlet Flange	1	\$132.16
3	17004SS	SS Adapter for Gas Engine	1	\$328.41
3	17046SS	CF Adapter for Electric Motor	1	\$423.75
4	17005	5/8" SS Sleeve Drive	1	\$94.03
4	17006*	3/4" SS Sleeve Drive	1	\$94.03
4	17007	7/8" SS Sleeve Drive	1	\$94.03
5	17008SS*	SS Impeller	1	\$266.38
5	17008-4.1SS	4.1" SS Impeller	1	\$266.38
5	17008-4.6SS	4.6" SS Impeller	1	\$266.38
6	17009B	5/8" Impeller Nut	1	\$8.20
7	17011SS*	SS Wear Plate	1	\$171.53
8	17014	FKM (viton type) Outlet Gasket	1	\$84.76
9	17017	FKM (viton type) Check Valve Assembly Gasket	1	\$160.03
10	17018	Adapter Gasket	1	\$6.82
11	15022	Handle	1	\$12.06

REPLACEMENT PARTS 2" SS PUMPS				
ITEM	PART NO	DESCRIPTION	QTY	PRICE
12	17023	5/8" Clamp, 3/4" SS Shaft (Old Style)	1	\$44.21
12	17123	5/8" Clamp, 3/4" SS Shaft (Keyed Clamp)	1	\$44.21
12	17024	7/8" Clamp, 3/4" SS Shaft	1	\$44.21
13	17026SS	SS Pump Housing	1	\$1,069.99
14	17130SS	5/16-18 x 1.00" FHSCS, 316 SS	2	\$15.12
15	V10118	5/16" Lock Washer	18	\$0.44
16	V10119	5/16" -18 SS Hex Nut	6	\$0.58
17	12882A	Bearing Pedestal Assembly w/ 3/4" Shaft	1	\$222.27
18	17040	Bolt	4	\$3.86
19	17035SS	FKM (viton type) SS Seal Assembly	1	\$181.59
20	17010	1/2" - 24 x 1" HHCS	1	\$1.21
21	12777	Drain Plug	1	\$2.33
22	UV15163	O-Ring for Drain Plug	1	\$0.46
23	17019	5/16" - 18 x 3/4" Cap Screw	8	\$1.21
24	17042	Stud	6	\$2.02
N/S	17100SS	Pump Repair Kit(Consists of 4,5,7,10,14,19)	1	\$766.77

2" Stainless Steel Pump Onlys, Pedestal Pumps & C-Flanged Pumps

FEATURES

- Bearing pedestal pump is easily adaptable to electric motor.
- Pump only packs complete and ready for attachment to gasoline engine.

CAUTION-WARNING: Please do not run pumps dry, restrict or reduce port sizes or dead head pumps. This could cause component failure to pump.

DO NOT USE WITH FLAMMABLE LIQUIDS.



2" SS BEARING PEDESTAL PUMPS				
PART NO	DESCRIPTION	HP	QTY	PRICE
200PB-SS	2" SS Bearing Pedestal w/ 3/4" Straight Shaft*	N/A	1	\$3,284.38

Note: * Straight shaft for long coupling to electric motors

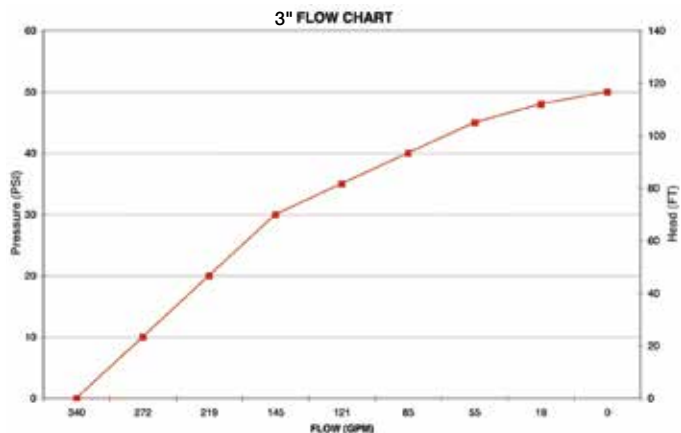
2" SS PUMP ONLYS				
PART NO	DESCRIPTION	HP	QTY	PRICE
200PO-SS	2" SS Pump Only w/ 3/4" Shaft Sleeve	N/A	1	\$2,980.48

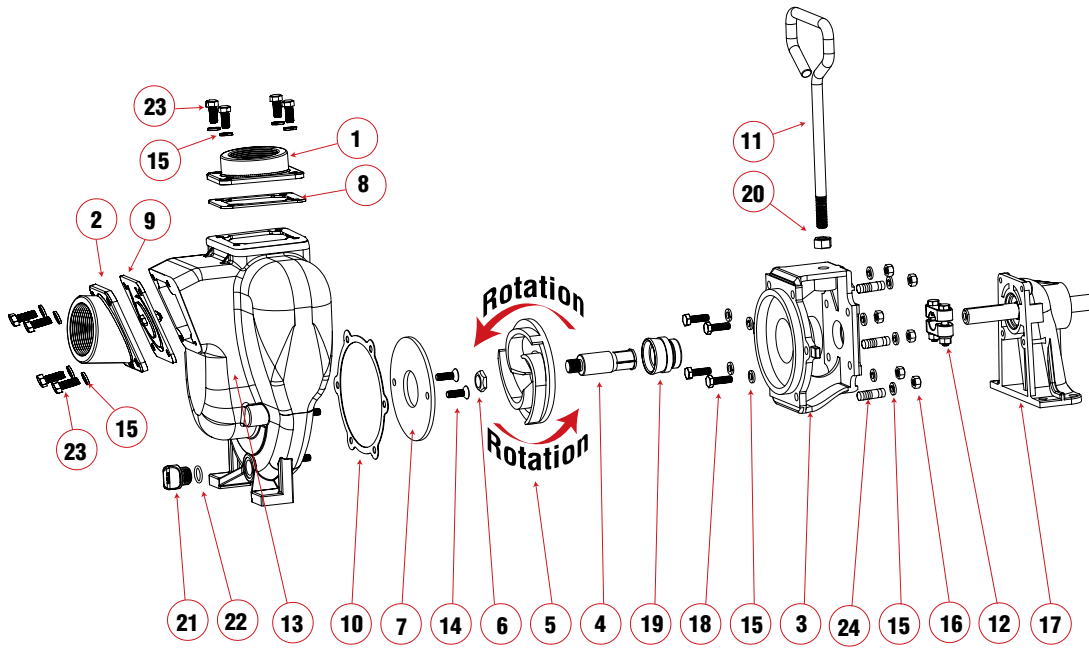
2" SS C-FLANGE PUMPS				
PART NO	DESCRIPTION	HP	QTY	PRICE
200POSSCF5/8	2" SS C-Flange Pump w/ 5/8" Shaft Sleeve	N/A	1	\$3,238.27
200POSSCF7/8	2" SS C-Flange Pump w/ 7/8" Shaft Sleeve	N/A	1	\$3,238.27

Note: Recommendation for 5/8" Shaft: 56C Frame Size, 3 HP, 3450 RPM, & 5" Max Impeller for close coupling to electric motors.

Recommendation for 7/8" Shaft: 145TC Frame Size, 3 HP, 3450 RPM, & 5" Max Impeller for close coupling to electric motors.

Note: Truck shipments recommended for 3" pumps.





REPLACEMENT PARTS 2" SS PUMPS				
ITEM	PART NO	DESCRIPTION	QTY	PRICE
1	17000SS	SS Outlet Flange	1	\$91.31
2	17002SS	SS Inlet Flange	1	\$132.16
3	17004SS	SS Adapter for Gas Engine	1	\$328.41
3	17046SS	CF Adapter for Electric Motor	1	\$423.75
4	17005	5/8" SS Sleeve Drive	1	\$94.03
4	17006*	3/4" SS Sleeve Drive	1	\$94.03
4	17007	7/8" SS Sleeve Drive	1	\$94.03
5	17008SS*	SS Impeller	1	\$266.38
5	17008-4.1SS	4.1" SS Impeller	1	\$266.38
5	17008-4.6SS	4.6" SS Impeller	1	\$266.38
6	17009B	5/8" Impeller Nut	1	\$8.20
7	17011SS*	SS Wear Plate	1	\$171.53
8	17014	FKM (viton type) Outlet Gasket	1	\$84.76
9	17017	FKM (viton type) Check Valve Assembly Gasket	1	\$160.03
10	17018	Adapter Gasket	1	\$6.82
11	15022	Handle	1	\$12.06

REPLACEMENT PARTS 2" SS PUMPS				
ITEM	PART NO	DESCRIPTION	QTY	PRICE
12	17023	5/8" Clamp, 3/4" SS Shaft (Old Style)	1	\$44.21
12	17123	5/8" Clamp, 3/4" SS Shaft (Keyed Clamp)	1	\$44.21
12	17024	7/8" Clamp, 3/4" SS Shaft	1	\$44.21
13	17026SS	SS Pump Housing	1	\$1,059.39
14	17130SS	5/16-18 x 1.00" FHSCS, 316 SS	2	\$15.12
15	V10118	5/16" Lock Washer	18	\$0.44
16	V10119	5/16" -18 SS Hex Nut	6	\$0.58
17	12882A	Bearing Pedestal Assembly w/ 3/4" Shaft	1	\$222.27
18	17040	Bolt	4	\$3.86
19	17035SS	FKM (viton type) SS Seal Assembly	1	\$181.59
20	17010	1/2" - 24 x 1" HHCS	1	\$1.21
21	12777	Drain Plug	1	\$2.33
22	UV15163	O-Ring for Drain Plug	1	\$0.46
23	17019	5/16" - 18 x 3/4" Cap Screw	8	\$1.21
24	17042	Stud	6	\$2.02
N/S	17100SS	Pump Repair Kit(Consists of 4,5,7,10,14,19)	1	\$766.77



UNIVERSAL BASE PLATE ASSEMBLY			
PART NO	DESCRIPTION	QTY	PRICE
18700	Base Plate Assembly for 1 1/2", 2" & 3" Cast Iron or Poly Pump (Plate, Coupling Guard, Bolt Bag & Shims)	1	\$464.78
18702	Replacement Coupling Guard	1	\$33.74

2" Stainless Steel Pumps with Electric Motors

FEATURES

- Stainless steel construction for rugged dependable service.
- Stainless steel shaft sleeve to protect engine shaft.
- Carbon ceramic seal with stainless steel cup and spring with FKM (viton type) rubber.
- Replaceable inlet and outlet flanges.
- Dynamically balanced impeller.

CAUTION-WARNING: Please do not run pumps dry, restrict or reduce port sizes or dead head pumps. This could cause component failure to pump.

DO NOT USE WITH FLAMMABLE LIQUIDS.



2" SS PUMPS W/ELECTRIC MOTORS				
PART NO	DESCRIPTION	HP	QTY	PRICE
234PE3SS	2" SS Pump w/3.0 HP Three Phase Electric Motor	3.0	1	\$5,656.97
234PE5SS	2" SS Pump w/5.0 HP Three Phase Electric Motor	5.0	1	\$6,080.44
234PE51SS	2" SS Pump w/5.0 HP Single Phase Electric Motor	5.0	1	\$6,853.28

NOTE: Truck shipments only. Motor warranty service available at authorized dealers.

COMPLETE PUMP WITH EFFICIENT INDUSTRIAL ELECTRIC MOTORS!

MOTOR FEATURES

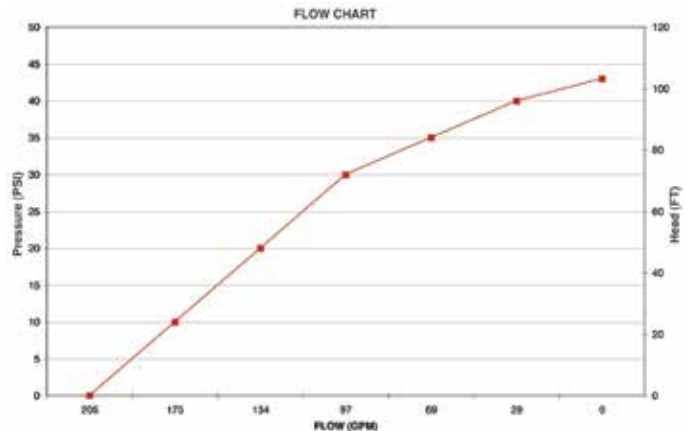
- Pressure cast aluminum end plates with ribbed design for rigidity.
- Ball bearings, locked drive end bearing.
- Heavy gauge steel frame.
- Motors wound with inverter spike resistance magnet wire.
- Mounted complete on heavy duty cast iron base plate.
- 230 V Motors.

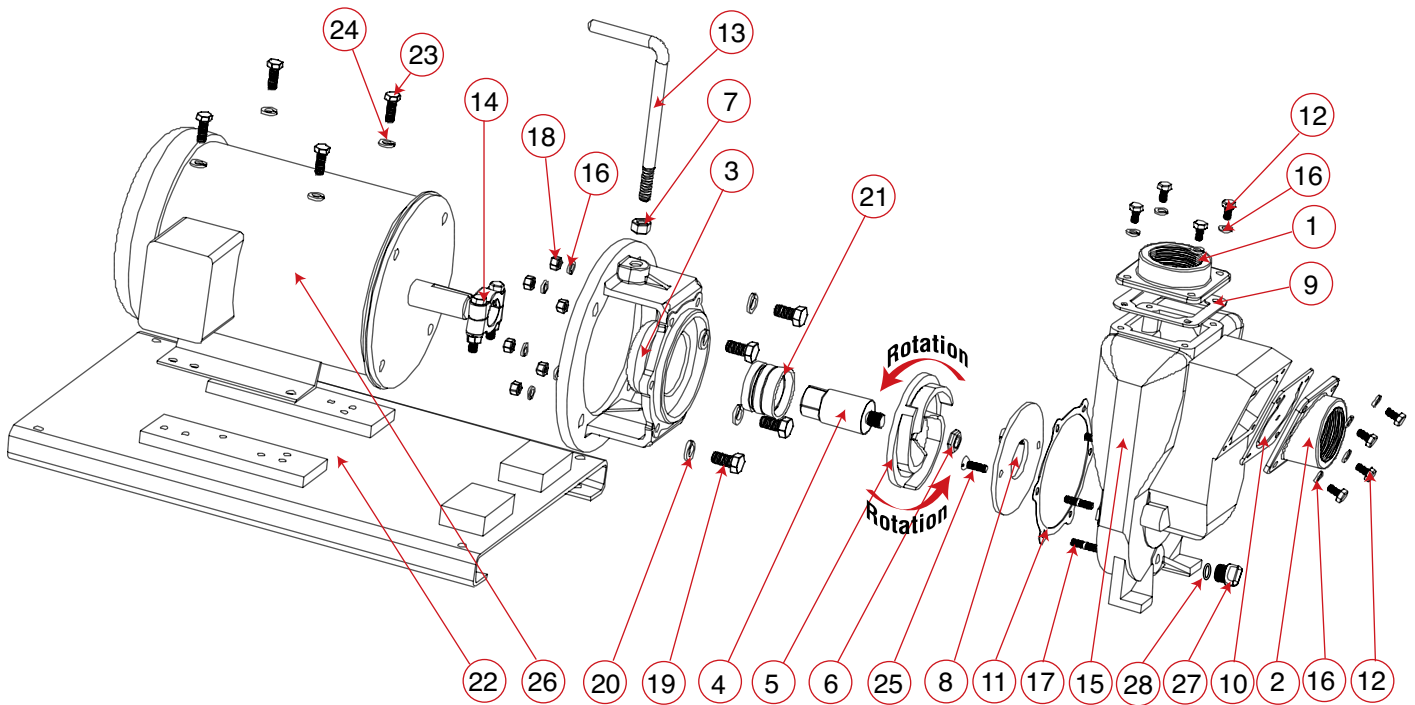


POLYETHYLENE SUCTION BASKET STRAINER



PART NO	DESCRIPTION	QTY	PRICE
150SBS	1½" Female Thread Poly Basket	1	\$15.77
200SBS	2" Female Thread Poly Basket	1	\$15.77
300SBS	3" Female Thread Poly Basket	1	\$35.57





SELF-PRIMING CENTRIFUGAL PUMPS

REPLACEMENT PARTS 234PE3SS				
ITEM	PART NO	DESCRIPTION	QTY	PRICE
1	17000SS	Outlet Flange	1	\$91.31
2	17002SS	Inlet Flange	1	\$132.16
3	17046SS	C-Flange Adapter	1	\$423.75
4	17007	Impeller Shaft	1	\$94.03
5	17008SS	Impeller	1	\$266.38
6	17009B	5/8" Impeller Nut	1	\$8.20
7	17010	1/2" Hex Nut	1	\$1.21
8	17011SS	Wear Plate	1	\$171.53
9	17014	FKM (viton type) Outlet Gasket	1	\$84.76
10	17017	FKM (viton type) Gasket & Check Valve	1	\$160.03
11	17018	Adapter Gasket	1	\$6.82
12	17019	Bolt	8	\$1.21
13	15022	Handle	1	\$12.06
14	17024	Clamp Assembly w/Key	1	\$44.21
15	17026SS	Pump Housing	1	\$1,059.39
16	V10118	5/16" Lock Washer	20	\$0.44
17	17042	Housing Stud	6	\$2.02
18	V10119	Hex Nut	8	\$0.58
19	17449	Bolt	4	\$3.20
20	18058	Washer	4	\$0.73
21	17035SS	Seal Assembly	1	\$181.59
22	17701	Base Plate Assembly	1	\$289.35
23	17704	Bolt	4	\$3.20
24	V20018	3/8" Lock Washer	4	\$0.44
25	17130SS	5/16-18 x 1.00" FHSCS, 316 SS	2	\$15.12
26	BEM3	Electric Motor	1	\$1,302.08
27	12777	Plug	1	\$2.33
28	UV15163	O-Ring	1	\$0.46

REPLACEMENT PARTS 234PE5SS & 234PE51SS				
ITEM	PART NO	DESCRIPTION	QTY	PRICE
1	17000SS	Outlet Flange	1	\$91.31
2	17002SS	Inlet Flange	1	\$132.16
3	17446SS	C-Flange Adapter	1	\$786.94
4	17406	Impeller Shaft	1	\$136.66
5	17408SS	Impeller	1	\$173.59
6	17009B	5/8" Impeller Nut	1	\$8.20
7	17010	1/2" Hex Nut	1	\$1.21
8	17011SS	Wear Plate	1	\$171.53
9	17014	FKM (viton type) Outlet Gasket	1	\$84.76
10	17017	FKM (viton type) Gasket & Check Valve	1	\$160.03
11	17018	Adapter Gasket	1	\$6.82
12	17019	Bolt	8	\$1.21
13	15022	Handle	1	\$12.06
14	18129	Clamp Assembly w/Key	1	\$51.45
15	17026SS	Pump Housing	1	\$1,059.39
16	V10118	5/16" Lock Washer	20	\$0.44
17	17042	Housing Stud	6	\$2.02
18	V10119	Hex Nut	8	\$0.58
19	17449	Bolt	4	\$3.20
20	18058	Washer	4	\$0.73
21	18025SS	Seal Assembly	1	\$322.87
22	17701	Base Plate Assembly	1	\$289.35
23	17704	Bolt	4	\$3.20
24	V20018	3/8" Lock Washer	4	\$0.44
25	17130SS	5/16-18 x 1.00" FHSCS, 316 SS	2	\$15.12
26	BEM5	Electric Motor	1	\$1,575.35
26	BEM51	Electric Motor	1	\$2,250.51
27	12777	Plug	1	\$2.33
28	UV15163	O-Ring	1	\$0.46

2" Stainless Steel Pumps with Hydraulic Motors

PUMP FEATURES

- Rugged construction for dependable service.
- Carbon ceramic seal with stainless steel cup and spring with FKM (viton type) rubber.
- Replaceable inlet and outlet flanges.
- Dynamically balanced impeller.

HYDRAULIC MOTOR FEATURES

- Hydraulic fluid capacity
Minimum 6 Gallons / Maximum 10 Gallons.
- 12 H.P. Motor.
- Open or closed system.
- Minimum 500 P.S.I. / Maximum 2000 P.S.I.

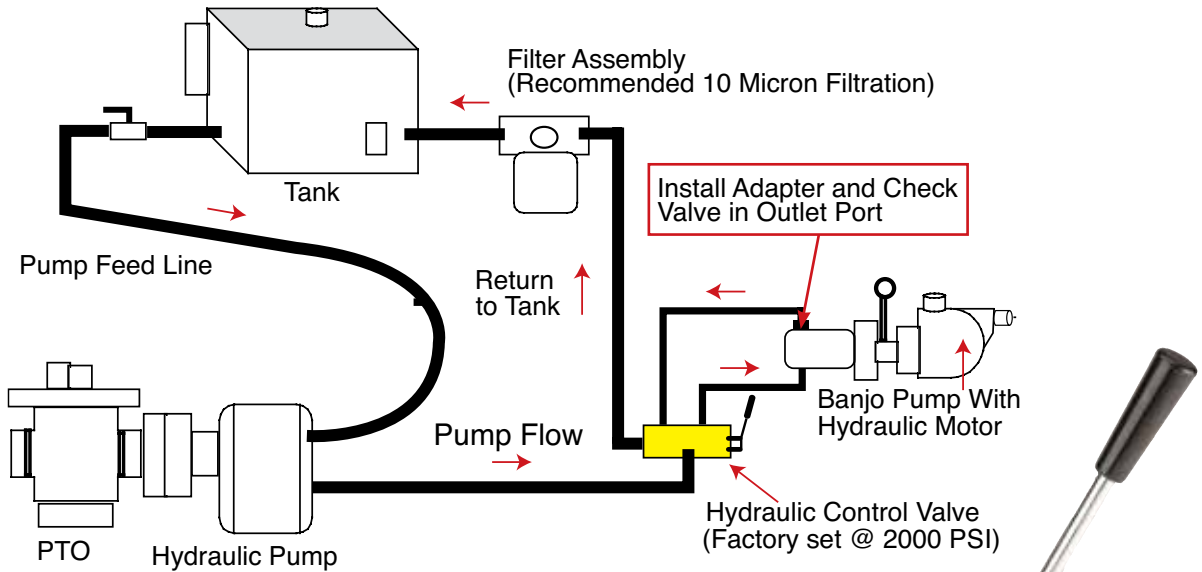
CAUTION-WARNING: Please do not run pumps dry, restrict or reduce port sizes or dead head pumps. This could cause component failure to pump.

DO NOT USE WITH FLAMMABLE LIQUIDS.

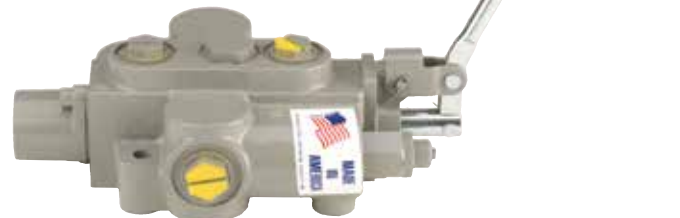


2" SS HYDRAULIC PUMPS				
PART NO	DESCRIPTION	HP	QTY	PRICE
200PHASS	2" SS Pump without Hydraulic Motor	N/A	1	\$3,758.54
200PHYSS	2" SS Pump w/12 HP Hydraulic Motor	12	1	\$5,503.72

SPOOL VALVE ASSEMBLY DIAGRAM

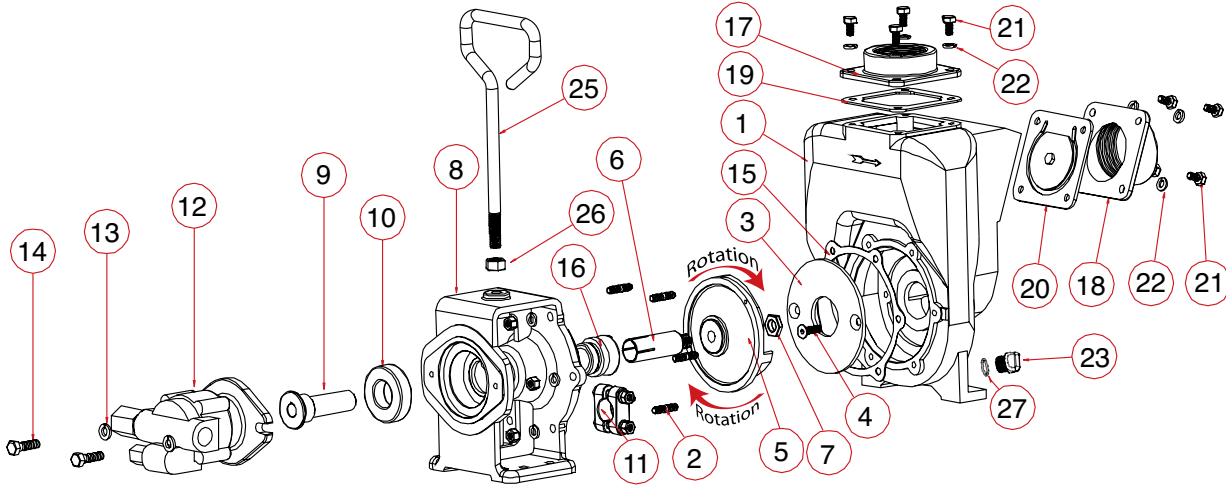


Recommendation: We recommend using the motor spool control valve or a suitable equivalent. The lack of such a valve in this circuit may cause failure to the hydraulic motor.



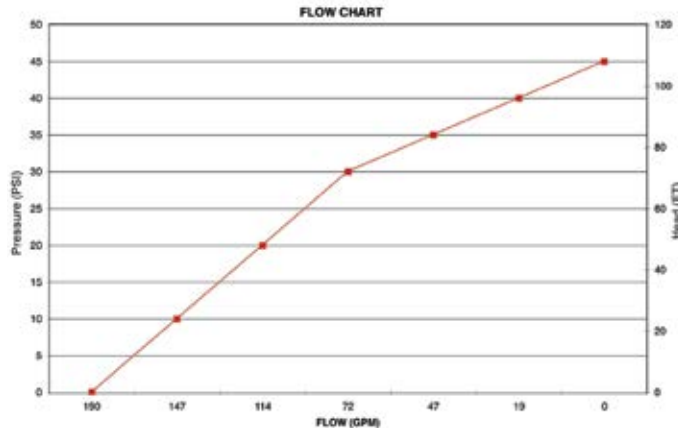
HYDRAULIC MOTOR SPOOL VALVE				
PART NO	DESCRIPTION	HP	QTY	PRICE
HSV1000	Hydraulic Motor Spool Valve	N/A	1	\$675.45



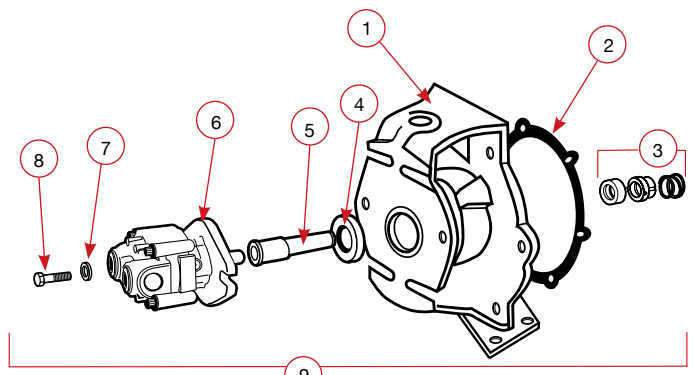


HYDRAULIC MOTOR DATA	
U.S. Gallons/Rev.	0.0025
Cubic Inches/Rev.	0.580
Liters/Rev.	0.0097
Max Hydraulic Pressure	2000 PSI
Min Hydraulic Pressure	200 PSI
Inlet Port	SAE 10 (7/8-14 UNF-2B)
Outlet Port	SAE 10 (7/8-14 UNF-2B)
Minimum GPM Required	6 GPM 2400 RPM
Maximum GPM Required	10 GPM 4000 RPM
Ideal GPM Required	9 GPM 3600 RPM
CONNECTION INFORMATION	
Inlet	"A" Port
Outlet	"B" Port
Supplied check valve is to ensure proper rotation of the Banjo pump. Place check valve in outlet port (marked "B") for proper right hand rotation.	
SPOOL VALVE INFORMATION	
Required Outlet Flow	Min 6 GPM / Max 10 GPM
Required System Pressure	Min 500 PSI / Max 2000 PSI

REPLACEMENT PARTS 2" SS PUMPS				
ITEM	PART NO	DESCRIPTION	QTY	PRICE
1	17026SS	Pump Housing	1	\$1,059.39
2	17042	Pump Housing Stud	6	\$2.02
3	17011SS	Wear Plate	1	\$171.53
4	17130SS	5/16-18 x 1.00" FHSCS, 316 SS	2	\$15.12
5	17008SS	5" Impeller	1	\$266.38
6	17007	7/8" Sleeve Drive for Electric Motor	1	\$94.03
7	17009B	5/8" Impeller Nut	1	\$8.20
8	17049ASS	Hydraulic Adapter	1	\$740.97
9	17055A	Hydraulic Adapter Shaft	1	\$124.62
10	17056	SKF 6206-2RS1 Bearing	1	\$43.41
11	17024	7/8" Clamp, no key	1	\$44.21
12	HY1013	MGG@0025BC1D3 Hydraulic Motor Assembly	1	\$1,315.58
13	V20018	3/8" Lock Washer	2	\$0.44
14	18010SS	3/8" - 16 x 1.25" HHHCS	2	\$1.94
15	17018	Gasket Adapter	1	\$6.82
16	17035SS	FKM (viton type) Seal Assembly	1	\$181.59
17	17000SS	2" Outlet Flange	1	\$91.31
18	17002SS	2" Inlet Flange	1	\$132.16
19	17014	FKM (viton type) Gasket	1	\$84.76
20	17017	Gasket Check Valve Assembly	1	\$160.03
21	17019	5/16" - 18 x 0.75" Cap Screw	8	\$1.21
22	V10118	5/16" Split Lock Washer	14	\$0.44
23	12777	Plug	1	\$2.33
24	V10119	5/16"-18 Hex Nut	6	\$0.58
25	15022	Handle	1	\$12.06
26	17010	1/2" Hex Nut -13UNF-RH	1	\$1.21
27	UV15163	O-Ring	1	\$0.46
N/S	17100SS	Repair Kit (Consists of items 3, 4, 5, 15 & 16)	1	\$766.77



REPLACEMENT PARTS 2" SS HYDRAULIC ADAPTER				
ITEM	PART NO	DESCRIPTION	QTY	PRICE
1	17049ASS	SS Hydraulic Motor Adapter	1	\$740.97
2	17018	Gasket Adapter	1	\$6.82
3	17035SS	Seal Assembly	1	\$181.59
N/S	17007	7/8" SS Shaft Sleeve	1	\$94.03
N/S	12214A	Shim	1	\$9.04
4	17056	SKF 6206-2RS1 Bearing	1	\$43.41
5	17055A	Hydraulic Adapter Shaft	1	\$124.62
6	HY1013	Gresen® Hydraulic Motor	1	\$1,315.58
7	V20018	Lock Washer	2	\$0.44
8	18010SS	Bolt	2	\$1.94
9	17600ASS	Hydraulic Motor Conversion Assembly	1	\$2,082.92



SELF-PRIMING CENTRIFUGAL PUMPS

3" 316 Stainless Steel Pumps with Gas Engines

FEATURES

- Carbon ceramic seal consists of 316 stainless steel cup and spring with FKM (viton type) Elastomer.
- All 316 stainless steel wettable internal components:
 - Impeller –Sleeve –Wear plate –Fasteners
- 316 stainless steel housing.
- Dynamically balanced impeller.



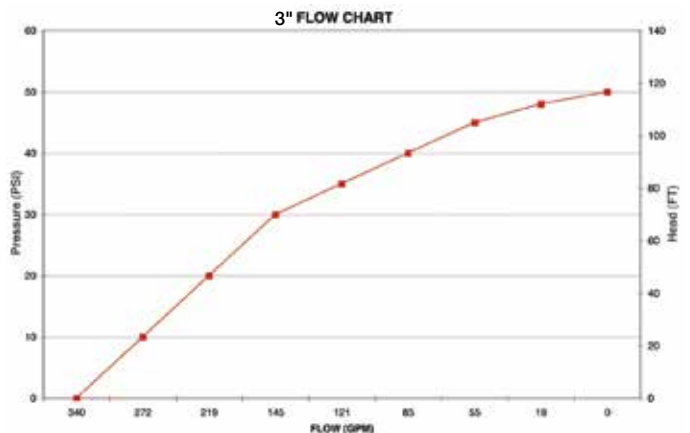
CAUTION-WARNING: Please do not run pumps dry, restrict or reduce port sizes or dead head pumps. This could cause component failure to pump.

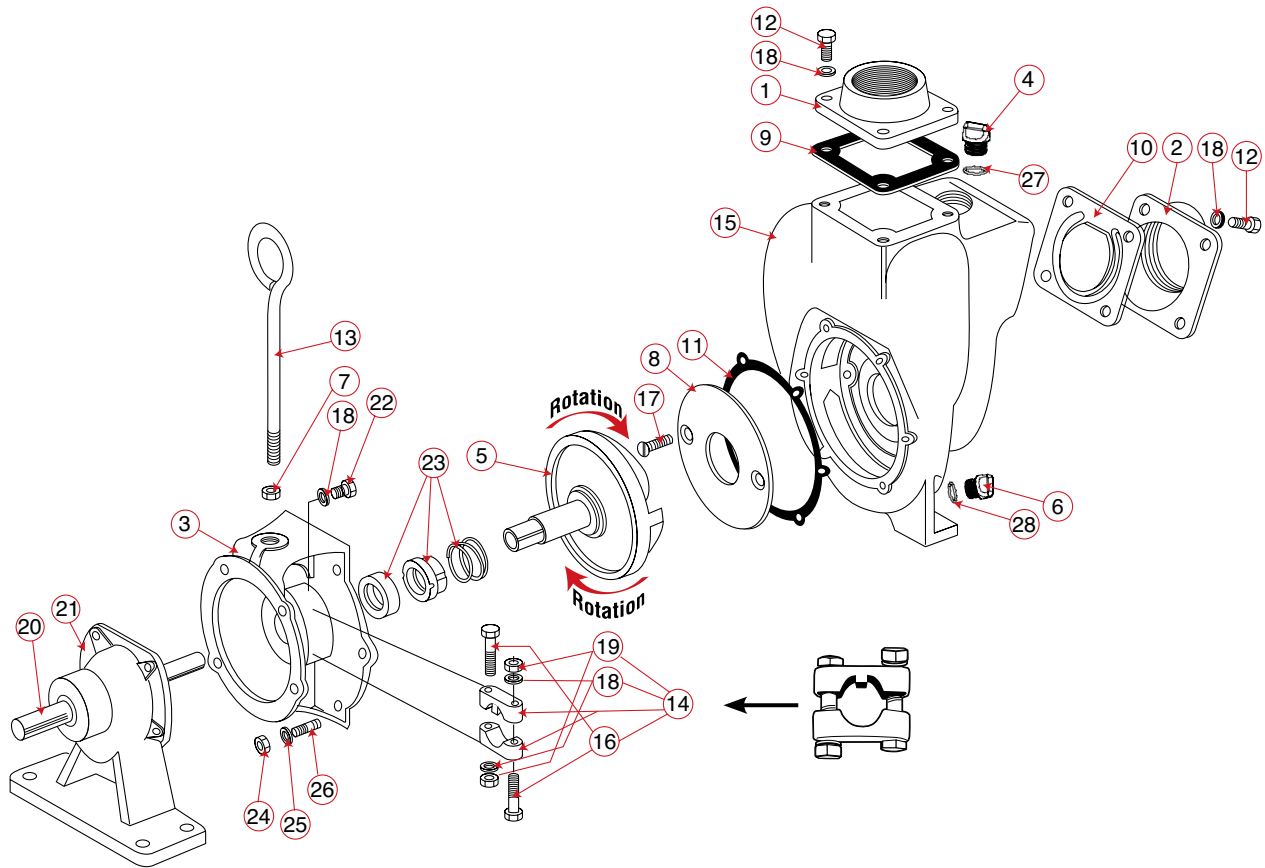
DO NOT USE WITH FLAMMABLE LIQUIDS.

3" STAINLESS STEEL PUMPS W/GAS ENGINES				
PART NO	DESCRIPTION	HP	QTY	PRICE
300PH11-SS	3" SS Pump w/11 HP Honda® Engine w/Electric Start & Pull Rope	11	1	\$9,193.26
300PH13SS	3" SS Pump w/13 HP Honda® Engine w/Electric Start & Pull Rope	13	1	\$9,811.73

*Truck Shipments Only with the exception of 200PH5-SS

NOTE: Engine warranty service available at authorized Honda and Briggs & Stratton dealers.





SELF-PRIMING CENTRIFUGAL PUMPS

REPLACEMENT PARTS 3" SS PUMPS				
ITEM	PART NO	DESCRIPTION	QTY	PRICE
1	18008SS	NPT Outlet Flange	1	\$185.66
2	18012SS	NPT Inlet Flange	1	\$258.30
3	18026SS	Adapter for Gas Engine	1	\$857.60
3	18048SS	SS C-Flange Adapter	1	\$1,664.76
4	13777	Plug	1	\$3.07
5	18023SS	1" SS Impeller & Drive Shaft for Gas Engine	1	\$797.07
5	18023-1.125SS	1 1/8" SS Impeller & Drive Shaft for Electric Motor	1	\$797.07
6	12777	Plug	1	\$2.33
7	18034	5/8" SS Jam Nut	1	\$3.28
8	18004SS	SS Wear Plate	1	\$246.16
9	18044	FKM (viton type) Outlet Gasket	1	\$128.57
10	18042	FKM (viton type) Gasket Check Valve Assembly	1	\$200.96
11	18021	Adapter Gasket	1	\$7.64
12	18010SS	3/8" - 16 x 1 1/8" SS Cap Screw HXHD	8	\$1.94
13	18033	Handle	1	\$18.89
14	18029	Clamp Assembly (Old Style)	1	\$51.45

REPLACEMENT PARTS 3" SS PUMPS				
ITEM	PART NO	DESCRIPTION	QTY	PRICE
14	18129	Clamp Assembly (New Style)	1	\$51.45
15	18001SS	SS Pump Housing	1	\$1,805.99
16	18030	3/8" -24 x 2 1/4" SS Bolt	2	\$4.57
17	18106SS	Wear Plate Flat Head Screw	2	\$15.43
18	V20018	3/8" Lock Washer	8	\$0.44
19	18032	3/8" x 24 SS Hex Nut	2	\$0.80
20	18504	1" Shaft	1	\$63.65
21	18500	Bearing Pedestal	1	\$458.15
22	18027	3/8" -16 x 1 1/2" HHCS	1	\$1.94
23	18025SS	FKM (viton type) Seal Assembly	1	\$322.87
24	V20019	3/8" 16 SS Hex Nut	6	\$1.07
25	V20018	3/8" SS Lock Washer	6	\$0.44
26	18218	3/8" -16 x 24 x 2 1/8" SS Stud	6	\$18.20
27	13778	O-Ring	1	\$1.94
28	UV15163	O-Ring	1	\$0.46
N/S	18100SS	Repair Kit(Consist of items 5, 8, 11, 17 & 23)	1	\$1,392.30

3" Stainless Steel Pump Only, Pedestal Pump & C-Flanged Pump

FEATURES

- Bearing pedestal pump is easily adaptable to electric motor.
- Pump only packs complete and ready for attachment to gasoline engine.

CAUTION-WARNING: Please do not run pumps dry, restrict or reduce port sizes or dead head pumps. This could cause component failure to pump.

DO NOT USE WITH FLAMMABLE LIQUIDS.



3" SS BEARING PEDESTAL PUMP				
PART NO	DESCRIPTION	HP	QTY	PRICE
300PB-SS	3" SS Bearing Pedestal w/ 1" Straight Shaft*	N/A	1	\$6,165.38

Note: * Straight shaft for long coupling to electric motors

3" SS PUMP ONLY				
PART NO	DESCRIPTION	HP	QTY	PRICE
300PO-SS	3" SS Pump Only w/ 1" Shaft Sleeve	N/A	1	\$5,718.09



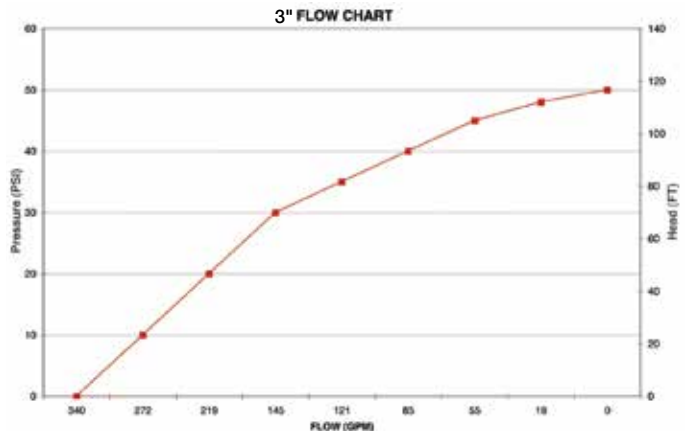
3" SS C-FLANGE PUMP				
PART NO	DESCRIPTION	HP	QTY	PRICE
300PO-SSCF	3" SS C-Flange Pump w/ 1 1/8" Shaft Sleeve	N/A	1	\$6,213.40

UNIVERSAL BASE PLATE ASSEMBLY				
PART NO	DESCRIPTION	QTY	PRICE	
18700	Base Plate Assembly for 1 1/2", 2" & 3" Cast Iron or Poly Pump (Plate, Coupling Guard, Bolt Bag & Shims)	1	\$464.78	
18702	Replacement Coupling Guard	1	\$33.74	

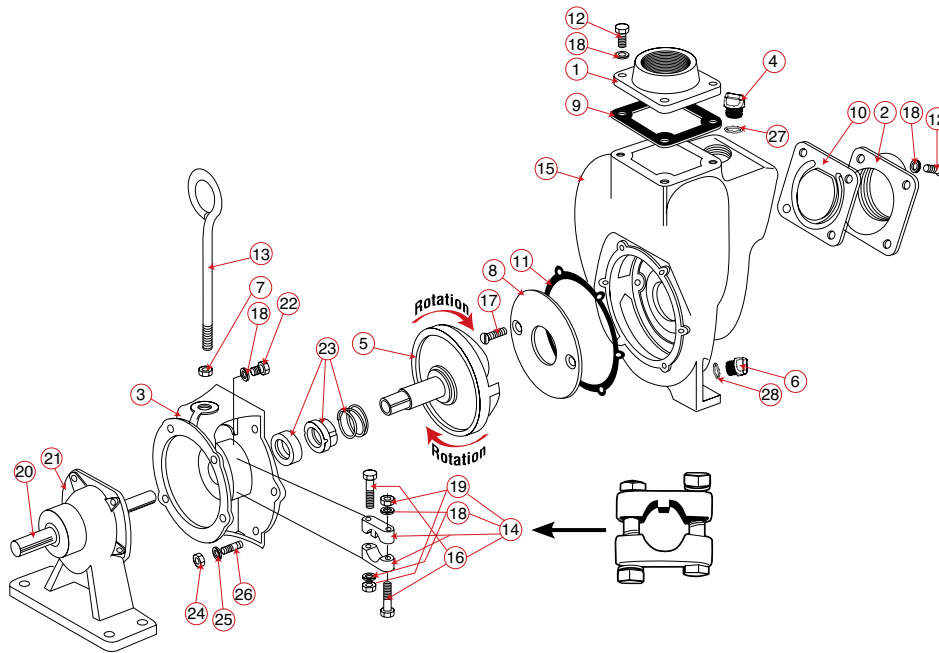
Note: Recommendation for 5/8" Shaft: 56C Frame Size, 3 HP, 3450 RPM, & 5" Max Impeller for close coupling to electric motors.

Recommendation for 7/8" Shaft: 145TC Frame Size, 3 HP, 3450 RPM, & 5" Max Impeller for close coupling to electric motors.

Note: Truck shipments recommended for 3" pumps.



***NOTE:** See page 178 for old style replacement parts.



REPLACEMENT PARTS 3" SS PUMPS				
ITEM	PART NO	DESCRIPTION	QTY	PRICE
1	18008SS	NPT Outlet Flange	1	\$185.66
2	18012SS	NPT Inlet Flange	1	\$258.30
3	18026SS	Adapter for Gas Engine	1	\$857.60
3	18048SS	SS C-Flange Adapter	1	\$1,664.76
4	13777	Plug	1	\$3.07
5	18023SS	1" SS Impeller & Drive Shaft for Gas Engine	1	\$797.07
5	18023-1.125SS	1 1/8" SS Impeller & Drive Shaft for Electric Motor	1	\$797.07
6	12777	Plug	1	\$2.33
7	18034	5/8" SS Jam Nut	1	\$3.28
8	18004SS	SS Wear Plate	1	\$246.16
9	18044	FKM (viton type) Outlet Gasket	1	\$128.57
10	18042	FKM (viton type)Gasket Check Valve Assembly	1	\$200.96
11	18021	Adapter Gasket	1	\$7.64
12	18010SS	3/8" - 16 x 1 1/8" SS Cap Screw HXHD	8	\$1.94
13	18033	Handle	1	\$18.89

REPLACEMENT PARTS 3" SS PUMPS				
ITEM	PART NO	DESCRIPTION	QTY	PRICE
15	18001SS	SS Pump Housing	1	\$1,805.99
16	18030	3/8" -24 x 2 1/4" SS Bolt	2	\$4.57
17	18106SS	Wear Plate Flat Head Screw	2	\$15.43
18	V20018	3/8" Lock Washer	8	\$0.44
19	18032	3/8" x 24 SS Hex Nut	2	\$0.80
20	18504	1" Shaft	1	\$63.65
21	18500	Bearing Pedestal	1	\$458.15
22	18027	3/8" -16 x 1 1/2" HHCS	1	\$1.94
23	18025SS	FKM (viton type) Seal Assembly	1	\$322.87
24	V20019	3/8" 16 SS Hex Nut	6	\$1.07
25	V20018	3/8" SS Lock Washer	6	\$0.44
26	18218	3/8" -16 x 24 x 2 1/8" SS Stud	6	\$18.20
27	13778	O-Ring	1	\$1.94
28	UV15163	O-Ring	1	\$0.46
N/S	18100SS	Repair Kit(Consist of items 5, 8, 11, 17 & 23)	1	\$1,392.30

3" Stainless Steel Pumps with Hydraulic Motors

PUMP FEATURES

- Rugged construction for dependable service.
- Carbon ceramic seal with stainless steel cup and spring with FKM (viton type) rubber.
- Replaceable inlet and outlet flanges.
- Dynamically balanced impeller.

HYDRAULIC MOTOR

- Hydraulic fluid capacity
Minimum 9 Gallons / Maximum 13 Gallons.
- 21 H.P. Motor.
- Open system.
- Minimum 600 P.S.I. / Maximum 3000 P.S.I.

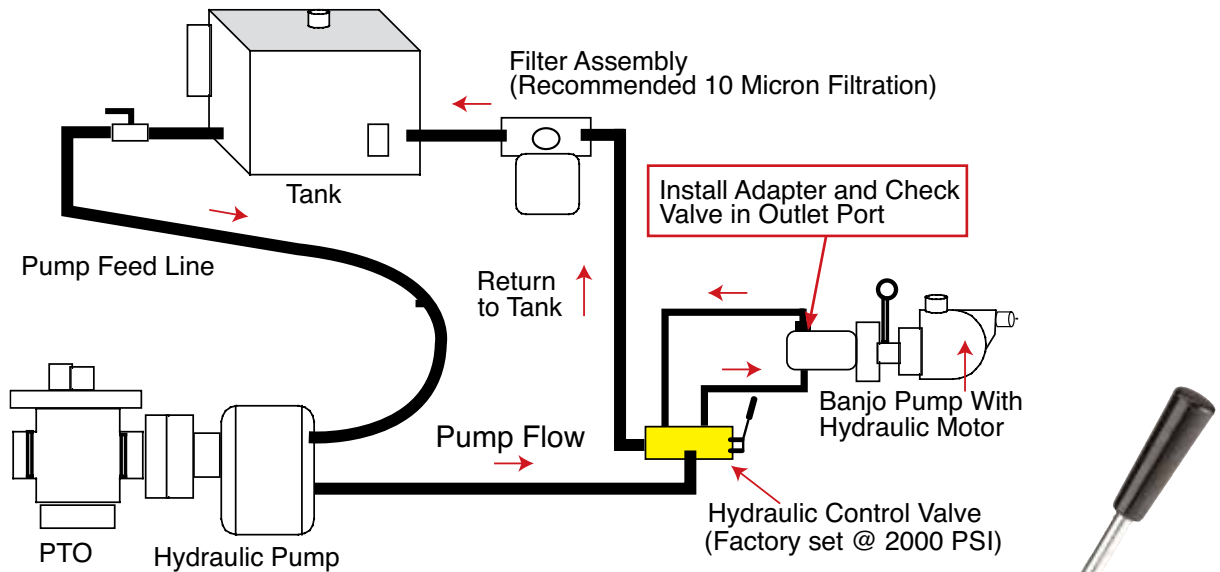
CAUTION-WARNING: Please do not run pumps dry, restrict or reduce port sizes or dead head pumps. This could cause component failure to pump.

DO NOT USE WITH FLAMMABLE LIQUIDS.

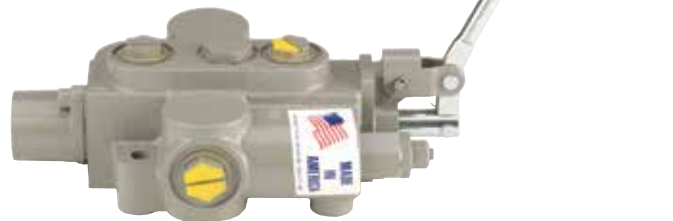


3" SS HYDRAULIC PUMPS				
PART NO	DESCRIPTION	HP	QTY	PRICE
300PHYSS	3" SS Pump w/21 HP Hydraulic Motor	21	1	\$9,165.10

SPOOL VALVE ASSEMBLY DIAGRAM

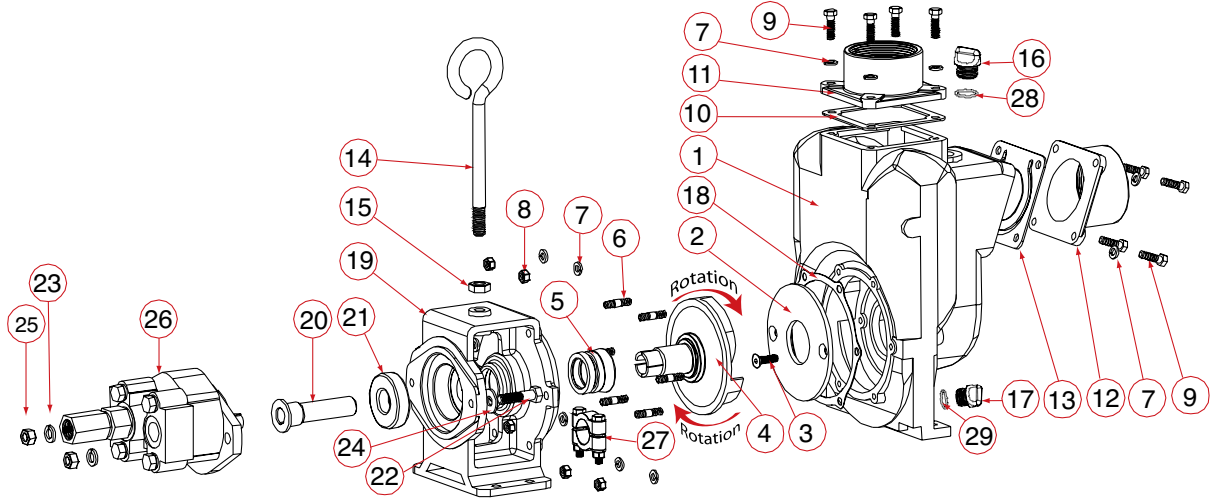


Recommendation:
We recommend using the motor spool control valve or a suitable equivalent. The lack of such a valve in this circuit may cause failure to the hydraulic motor.



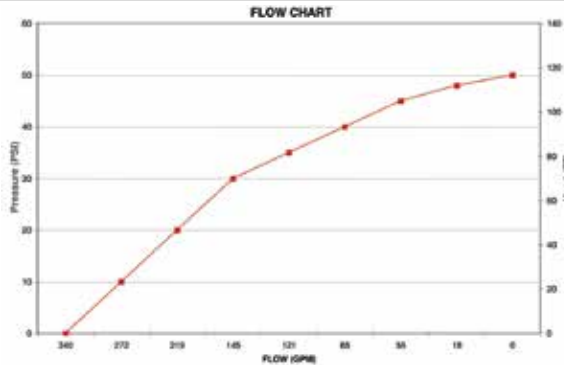
HYDRAULIC MOTOR SPOOL VALVE				
PART NO	DESCRIPTION	HP	QTY	PRICE
HSV1000	Hydraulic Motor Spool Valve	N/A	1	\$675.45



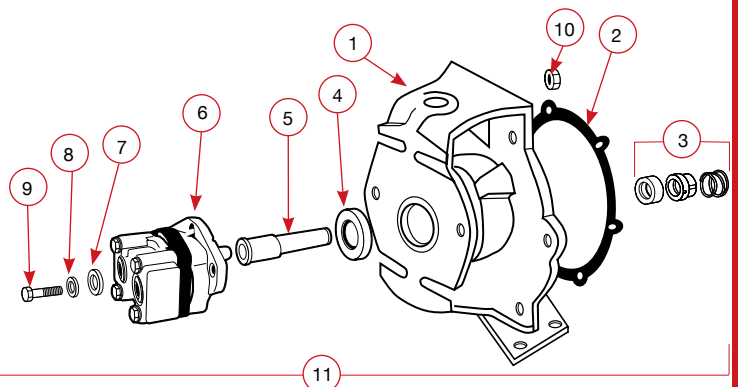


HYDRAULIC MOTOR DATA	
U.S. Gallons/Rev.	0.0038
Cubic Inches/Rev.	0.878
Liters/Rev.	0.0144
Max Hydraulic Pressure	3000 PSI
Min Hydraulic Pressure	600 PSI
Inlet Port	1-1/16-12UN-2B
Outlet Port	1-5/16-12UN-2B
Minimum GPM Required	9 GPM 2370 RPM
Maximum GPM Required	13 GPM 3450 RPM
Ideal GPM Required	9 GPM 3600 RPM
CONNECTION INFORMATION	
Inlet	"A" Port
Outlet	"B" Port
Supplied check valve is to ensure proper rotation of the Banjo pump. Place check valve in outlet port (marked "B") for proper right hand rotation. It is recommended that a minimum 3/4" inlet line & a minimum 1" outlet line be used. The outlet port must be connected directly back to the hydraulic fluid reservoir & not to any valving, regulators or flow diverters. The outlet port/return line back pressure must not exceed 250 PSI.	
SPOOL VALVE INFORMATION	
Required Outlet Flow	Min 9 GPM / Max 13 GPM
Required System Pressure	Min 600 PSI / Max 3000 PSI

REPLACEMENT PARTS 3" SS PUMPS				
ITEM	PART NO	DESCRIPTION	QTY	PRICE
1	18001SS	Pump Housing	1	\$1,805.99
2	18004SS	Wear Plate	1	\$246.16
3	18106SS	3/8"-16 x 1.25" HHCS	2	\$15.43
4	18023SS	Impeller & Drive Shaft	1	\$797.07
5	18025SS	FKM (viton type) Mechanical Seal	1	\$322.87
6	18218	3/8" -16 x 24 x 2 1/8" SS Stud	6	\$18.20
7	V20018	3/8" Split Lock Washer	14	\$0.44
8	V20019	3/8" 16 SS Hex Nut	6	\$1.07
9	18010SS	3/8" - 16 x 1.25" HHCS	8	\$1.94
10	18044	FKM (viton type) Outlet Gasket	1	\$128.57
11	18008SS	NPT Outlet Flange	1	\$185.66
12	18012SS	NPT Inlet Flange	1	\$258.30
13	18042	FKM(viton type) Gasket Check Valve Assembly	1	\$200.96
14	18033	Handle	1	\$18.89
15	18034	5/8" SS Jam Nut	1	\$3.28
16	13777	Plug	1	\$3.07
17	12777	Plug	1	\$2.33
18	18021	Adapter Gasket	1	\$7.64
19	18049SS	Hydraulic Motor Adapter	1	\$1,230.92
20	18055	Hydraulic Adapter Shaft	1	\$45.81
21	18502	Bearing	1	\$139.83
22	18056	1/2"-13 x 2" HHCS	2	\$4.79
23	18058	1/2" Split Lock Washer	2	\$0.73
24	18059	1/2" Flat Washer	2	\$2.09
25	17010	1/2" Hex Nut	2	\$1.21
26	HY1012	UM16-45A-HX Hydraulic Motor Assembly	1	\$1,510.07
27	18029	Clamp Assembly Unkeyed	1	\$51.45
28	13778	O-Ring	1	\$1.94
29	UV15163	O-Ring	1	\$0.46
N/S	18100SS	Repair Kit(Consist of items 2, 3, 4, 5 & 18)	1	\$1,392.30



REPLACEMENT PARTS 3" SS HYDRAULIC ADAPTER				
ITEM	PART NO	DESCRIPTION	QTY	PRICE
1	18049SS	C-Flange Hydraulic Motor Adapter	1	\$1,230.92
2	18021	Gasket Adapter	1	\$7.64
3	18025SS	Seal Assembly	1	\$322.87
4	18502	SKF 66306-2RS1/C3 Bearing	1	\$139.83
5	18055	Hydraulic Adapter Shaft	1	\$45.81
6	HY1012	Tyrone® Hydraulic Motor	1	\$1,510.07
7	18059	1/2" Lock Washer	2	\$2.09
8	18058	1/2" Split Lock Washer Bolt	2	\$0.73
9	18056	1/2"-13 x 2" HHCS Bolt	2	\$4.79
10	17010	1/2" Hex Nut	2	\$1.21
11	18600SS	Hydraulic Motor Adapter Assembly	1	\$3,384.95



SELF-PRIMING CENTRIFUGAL PUMPS

ENGINE REFERENCE				
BANJO PART NO	E3	E6.5PRO	E11PRO	E11PRO100
MANUFACTURER	Briggs & Stratton®	Briggs & Stratton®	Briggs & Stratton®	Briggs & Stratton®
MODEL NO	91200	122032013738C1040	2123320139B1G1032	2123320140B1G1016
RATED HP	3.5 HP @ 3600 RPM	6.5 HP @ 3600	11 HP @ 3600	11 HP @ 3600
RATED TORQUE	4.9 ft-lbs @ 2800 RPM	9 ft-lbs @ 2800 RPM	15.50 ft-lbs @ 2800 RPM	15.50 ft-lbs @ 2800 RPM
SHAFT SIZE	3/4" Diameter w/ 3/16" Keyway	3/4" Diameter w/ 3/16" Keyway	3/4" Diameter w/ 3/16" Keyway	1" Diameter w/ 1/4" Keyway
SHAFT ID THREAD	5/16"-24 UNF 2B	5/16"-24 UNF 2B	5/16"-24 UNF 2B	3/8"-24 UNF 2B
ENGINE OIL REQUIRED	Synthetic 5W30	Above 40°F: 30W Below 40°F: 5W30	Synthetic 10W30	Synthetic 10W30
ENGINE OIL CAPACITY	21 oz	20 oz	28 oz	28 oz
FUEL REQUIRED	77	77	77	77
FUEL TANK CAPACITY	.50 Gallon	1 Gallon	1 Gallon	1 Gallon
OIL ALERT	N	N	N	N
ELCTRIC START	N	N	N	N
OVER HEAD VALVE	N	N	N	N

ENGINE REFERENCE		
BANJO PART NO	E5H	E5HE
MANUFACTURER	Honda®	Honda®
MODEL NO	GX160	GX160
RATED HP	5.4 HP @ 3600	5.4 HP @ 3600
RATED TORQUE	8.0 ft-lbs @ 2500 RPM	8.0 ft-lbs @ 2500 RPM
SHAFT SIZE	3/4" Diameter w/ 3/16" Keyway	3/4" Diameter w/ 3/16" Keyway
SHAFT ID THREAD	5/16"-24 UNF 2B	5/16"-24 UNF 2B
ENGINE OIL REQUIRED	10W30	10W30
ENGINE OIL CAPACITY	.63 qt	.63 qt
FUEL REQUIRED	86	86
FUEL TANK CAPACITY	.95 Gallon	.95 Gallon
OIL ALERT	Y	Y
ELCTRIC START	N	Y
OVER HEAD VALVE	Y	Y

For Engine Warranty Service Contact:

**Briggs and Stratton: (414) 259-5262 or
www.briggsandstratton.com**



**Honda: (800) 426-7701
or www.honda.com**



ENGINE REFERENCE				
BANJO PART NO	E6H	E8H	E11H	E13H
MANUFACTURER	Honda®	Honda®	Honda®	Honda®
MODEL NO	GX200	GX240	GX340	GX390
RATED HP	6.4 HP @ 3600	8.0 HP @ 3600	11.0 HP @ 3600	13.0 HP @ 3600
RATED TORQUE	7.76 ft-lbs @ 2600 RPM	12.3 ft-lbs @ 2500 RPM	17.4 ft-lbs @ 2500 RPM	19.5 ft-lbs @ 2500 RPM
SHAFT SIZE	3/4" Diameter w/ 3/16" Keyway	1" Diameter w/ 1/4" Keyway	1" Diameter w/ 1/4" Keyway	1" Diameter w/ 1/4" Keyway
SHAFT ID THREAD	5/16"-24 UNF 2B	3/8"-24 UNF 2B	3/8"-24 UNF 2B	3/8"-24 UNF 2B
ENGINE OIL REQUIRED	10W30	10W30	10W30	10W30
ENGINE OIL CAPACITY	.63 qt	1.16 qt	1.16 qt	1.16 qt
FUEL REQUIRED	86	86	86	86
FUEL TANK CAPACITY	.95 Gallon	1.59 Gallon	1.72 Gallon	1.72 Gallon
OIL ALERT	Y	Y	Y	Y
ELCTRIC START	N	Y	Y	Y
OVER HEAD VALVE	Y	Y	Y	Y

ENGINE REFERENCE					
BANJO PART NO	BEM3	BEM5	BEM51	BEM10	BEM15
MANUFACTURER	Marathon®	Marathon®	Marathon®	Marathon®	Marathon®
MODEL NO	C236	C385	184TBF17009	C392	215TTFW14010
RATED HP	3 HP	5 HP	5 HP	10 HP	15 HP
SHAFT SIZE	7/8"	1 1/8"	1 1/8"	1 3/8"	1 3/8"
DESCRIPTION	TEFC	TEFC	TEFC	TEFC	TEFC
PHASE	3	3	1	3	3
RPM @ 60 HZ	3450	3450	3600	3450	3450
NEMA FRAME SIZE	145TC	184TC	184TC	215TC	215TC
VOLTAGE	208-230/460	208-230/460	230	208-230/460	208-230/460
EFF@FULL LOAD	85.5	87.5	88.5	88.5	88.5

TANK WALL GUIDE FOR BANJO TANK FITTINGS

PART NO	DESCRIPTION	MAX TANK WALL THICKNESS	AVAILABILITY
BF075	¾" Blind Hole Tank Flange	.250	Stock
BF075BD	¾" x 1" Bottom Drain Flange EPDM Thread	.250	Stock
BF075BDV	¾" x 1" Bottom Drain Flange FKM (viton type) Thread	.250	Stock
BF075V	¾" Bolted Tank Flange FKM (viton type) Thread	.250	Stock
BF100	1" Blind Hole Bolted Tank Flange	.250	Stock
BF100BD	1" x 1" Bottom Drain Flange EPDM Thread	.250	Stock
BF100BDV	1" x 1" Bottom Drain Flange FKM (viton type) Thread	.250	Stock
BF100V	1" Bolted Tank Flange FKM (viton type) Thread	.250	Stock
BF125	1¼" Bolted Tank Flange	.250	Stock
BF125BD	1¼" x 1" Bottom Drain Flange EPDM Thread	.270	Stock
BF125BDV	1¼" x 1" Bottom Drain Flange FKM (viton type) Thread	.270	Stock
BF150	1½" Bolted Tank Flange	.280	Stock
BF150BD	1½" x 2" Bottom Drain Flange EPDM Thread	.220	Stock
BF150BDV	1½" x 2" Bottom Drain Flange FKM (viton type) Thread	.220	Stock
BF150V	1½" Bolted Tank Flange FKM (viton type) Thread	.280	Stock
BF200	2" Blind Hole Bolted Tank Flange	.280	Stock
BF200BD	2" x 2" Bottom Drain Flange EPDM Thread	.220	Stock
BF200BDV	2" x 2" Bottom Drain Flange FKM (viton type) Thread	.220	Stock
BF205BD	2" Bottom Drain Fittings with ¾" Bolts	.750	Non-Stock (1-2 week delivery)
BF220	2" Full Port Bolted Tank Flange	.250	Stock
BF220BD	2" x 2" Full Port Bottom Drain Flange EPDM Thread	.250	Stock
BF220BDV	2" x 2" Full Port Bottom Drain Flange FKM (viton type) Thread	.250	Stock
BF220V	2" Full Port Bolted Tank Flange FKM (viton type) Thread	.250	Stock
BF222BD	2" Full Port Bolted Flange with ¾" All Thread Bolt	.750	Non-Stock (1-2 week delivery)
BF223	2" Full Port Bolted Flange with 3" Bolts	1.000	Non-Stock (1-2 week delivery)
BF223BD	2" x 2" Flange with 3" All Thread Bolt	1.060	Non-Stock (1-2 week delivery)
BF224	2" Full Port Bolted Flange with 4" Bolts	1.810	Non-Stock (1-2 week delivery)
BF230	2" Bolted Flange with 3" All Thread Bolt	1.060	Non-Stock (1-2 week delivery)
BF235	2" Bolted Flange with ½" All Thread Bolt	1.310	Non-Stock (1-2 week delivery)
BF235BD	2" Bottom Drain Flange with ½" Bolts	1.000	Non-Stock (1-2 week delivery)
BF300	3" x 3" Bolted Tank Flange	.500	Stock
BF300BD	3" x 3" Bottom Drain Flange EPDM Thread	.500	Stock
BF300BDV	3" x 3" Bottom Drain Flange FKM (viton type) Thread	.500	Stock
BF300V	3" Bolted Tank Flange with FKM (viton type) Thread	.500	Stock
BF330	3" Bolted Tank Flange with 3" All Thread Bolt	.750	Non-Stock (1-2 week delivery)
BF335	3" Bolted Tank Flange with ½" All Thread Bolt	1.250	Non-Stock (1-2 week delivery)
BF335BD	3" Bottom Drain Bolted Tank Flange with ½" All Thread Bolt	.750	Non-Stock (1-2 week delivery)
MBF100	1" Bolted Manifold Tank Flange with ¼" Bolts	.280	Stock
MBF100BD	1" Bottom Drain Manifold Bolted Tank Flange EPDM Thread	.280	Stock
MBF100BDV	1" Bottom Drain Manifold Bolted Tank Flange FKM (viton type) Thread	.280	Stock
MBF100V	1" Bolted Tank Flange Full Port with FKM (viton type) Thread	.280	Stock
MBF105	1" Bolted Manifold Tank Flange with ¾" Bolts	.750	Non-Stock (1-2 week delivery)
MBF106	1" Bolted Manifold Tank Flange with ¾" Bolts	.750	Non-Stock (1-2 week delivery)
MBF200	2" Bolted Manifold Tank Flange with ½" Bolts	.210	Stock
MBF200BD	2" Bottom Drain Manifold Tank Flange	.500	Stock
MBF200V	2" Standard Port Flange x 2" Female FKM (viton type) Thread	.210	Stock
MBF205BD	2" Bottom Drain Tank Flanged Tank Fitting with ¾" Bolt	.650	Non-Stock (1-2 week delivery)
MBF220	2" Full Port Manifold Flange with ½" Bolts	.320	Stock
MBF220BD	2" Full Port Manifold Bottom Drain Flange EPDM Thread	.550	Stock
MBF220BDV	2" Full Port Manifold Bottom Drain Flange FKM (viton type) Thread	.550	Stock
MBF222	2" Full Port Manifold Tank Flange with ¾" Bolts	1.050	Non-Stock (1-2 week delivery)
MBF222BD	2" Full Port Manifold Bottom Drain Tank Flange with ¾" Bolts	1.050	Non-Stock (1-2 week delivery)
MBF223	2" Full Port Manifold Bolted Tank Flange with 3" Bolts	.800	Non-Stock (1-2 week delivery)
MBF235	2" Manifold Tank Flange with ½" Bolts	1.320	Non-Stock (1-2 week delivery)
MBF229	2" Full Port Manifold Tank Flange with ½" Bolts	1.320	Non-Stock (1-2 week delivery)
MBF300	3" Bolted Manifold Tank Flange EPDM Thread	.500	Stock
MBF300BD	3" Bottom Drain Manifold Tank Flange EPDM Thread	.500	Stock
MBF300BDV	3" Bottom Drain Manifold Bolted Tank Flange FKM (viton type) Thread	.500	Stock
MBF335	3" Bolted Manifold Tank Flange with ½" Bolts	1.250	Non-Stock (1-2 week delivery)
MBF335BD	3" Bolted Manifold Tank Flange with ¾" Bolts	.500	Non-Stock (1-2 week delivery)

Part Number	Page(s)	Weights	Part Number	Page(s)	Weights	Part Number	Page(s)	Weights
050C	123	0.14	100P	119, 121, 124, 99	0.15	12703AW	171, 177	N/A
050D	123	0.16				12705	147, 149, 151, 153, 155, 159, 161, 163, 165, 167, 169, 171, 173, 175, 177, 191, 193, 195, 197, 199, 201, 215, 217	0.24
050E	123	0.05	100PL/SS	118	0.27			
050F	123	0.06	100RING	119, 121, 124, 99	0.12			
075ASS	118	0.27						
075BSS	118	0.49	12000A	151, 153	0.75			
075C	123	0.15	12000AV	153	0.9			
075CAP	123	0.13	12003A	147, 149, 153	0.75			
075CAP/SS	118	0.49						
075CAPFD	121	0.13	12003VAT	157	N/A			
075CFD	121	0.56	12005VAT	157	N/A	12705V	149, 153, 157, 159, 161, 169, 173	0.24
075CSS	118	0.54	12034	155, 165, 171, 177, 201, 215	N/A			
075D	123	0.15						
075D3/8	123	0.17				12707W	155, 165, 171, 177	N/A
075DFD	121	0.51	12046	157, 159, 195	N/A			
075DSS	118	0.5				12709	155, 165, 171, 177, 199, 201, 215, 217	N/A
075E	123	0.06	12048	157	0.5			
075EFD	121	0.06	12049B	173, 201	8			
075ESS	118	0.42	12049E	161	N/A	12710	147, 149, 151, 153, 161, 163, 167, 169, 173, 175, 191, 193, 195, 197	0.01
075F	123	0.06	12051	157	0.13			
075FFD	121	0.06	12052	159	N/A			
075FSS	118	0.37	12055B	173	0.5			
075GXT	124	0.01	12055E	161	N/A			
075PL/SS	118	0.17	12099	147, 149, 151, 153, 157, 159, 169, 191, 193, 195, 197	0.03			
100125CAP	123	0.27				12710V	149, 153, 157, 159, 161, 169, 173	0.01
100125CAPFD	121	0.27						
100125PL	123	0.06						
100125PLFD	121	0.29				12711A	147, 149	3.31
100A	123	0.09	12155	155, 165, 171, 177	N/A	12712A	151, 153, 155, 159, 161	3.25
100AFD	121	0.1						
100ASS	118	0.32	12201W	171, 177	N/A			
100B	123	0.29	12202W	155, 165, 171, 177	N/A	12712AV	157, 159	N/A
100BFD	121	0.25				12713	147, 149, 151, 153, 161, 163, 167, 169, 173, 175	0.11
100BSS	118	0.71	12213A	185	0.25			
100C	123	0.27	12214A	189, 227	0.03			
100CAP/SS	118	0.66	125A	123	0.1	12713SD	191, 193, 195, 197	0.1
100CFD	121	0.27	125B	123	0.3			
100CSS	118	0.73	125C	123	0.29	12713V	149, 153, 159, 169, 191, 193, 195, 197	0.12
100D	123	0.31	125CFD	121	0.29			
100DFD	121	0.31	125D	123	0.31			
100DSS	118	0.75	125DFD	121	N/A			
100E	123	0.1	125E	123	0.11	12715A	147, 149, 151, 153, 161, 163, 167, 169, 173, 175, 191, 193, 195, 197, 199, 201, 215, 217	0.04
100EFD	121	0.1	125F	123	N/A			
100ESS	118	0.58	12600B	161, 173, 191, 193, 197	14			
100F	123	0.11						
100FFD	121	0.11						
100FSS	118	0.58	12702A	147, 149, 151, 153, 155, 157, 159, 161, 163, 165	1.13	12715AT	157	0.05
100G	114, 124	0.2				12716	147, 149, 151, 153, 157, 163, 167, 169, 175, 191, 193, 197	0.02
100GB	119, 124	1.2						
100GV	114, 119, 124	0.2	12703A	147, 149, 151, 153, 157, 159, 161, 163, 167, 169, 173, 175	2.07			
100GW	121	N/A						
100GXT	124	0.01						
100K	119, 121, 124	0.13						

Part Number	Page(s)	Weights	Part Number	Page(s)	Weights	Part Number	Page(s)	Weights
12717	147, 149, 151, 153, 155, 159, 161, 163, 165, 167, 169, 171, 173, 175, 177, 191, 193, 195, 197, 199, 201, 215, 217	0.01		169, 173, 175, 191, 193, 195, 197			151, 153, 155, 159, 161, 163, 165, 167, 169, 171, 173, 175, 177	
12717V	149, 153, 157, 159, 161, 169, 173	0.01	12765AT	157	0.07	12900T	157	0.03
12719A	147, 149, 151, 153, 155, 159, 161, 163, 165, 167, 169, 171, 173, 175, 177, 191, 193, 195, 197, 199, 201, 215, 217	0.03	12766	155, 165, 171, 177, 199	N/A	12901	43, 57, 65, 147, 149, 151, 153, 155, 159, 161, 163, 165, 167, 169, 171, 173, 175, 177, 191, 193, 195, 197, 199, 201, 215, 217,	0.01
12719AV	149, 153, 157, 159, 169	0.05	12771A	147, 149, 153, 157	0.23	12901T	157	0.02
12720	147, 149, 151, 153, 155, 157, 159, 161, 165, 167, 169, 171, 173, 175, 177	0.03	12772	151, 153, 155, 157, 159, 161, 163, 165	0.2	12902A	147, 149, 151, 153, 155, 157, 159, 161, 163, 165, 167, 169, 171, 173, 175, 177, 191, 193, 195, 197, 199, 201, 215, 217	0.05
12723	141, 31	0.02	12774VA	147, 149, 151, 153, 155, 157, 159, 161, 163, 167, 169, 171, 173, 175, 177, 191, 193, 195, 197, 215	0.01			
12724	141, 31	0.01	12775A	147, 149, 151, 153, 155, 157, 159, 161, 163, 165, 167, 169, 171, 173, 175	0.03	12999A	147, 149, 151, 153	0.25
12725	147, 149, 151, 153, 155, 159, 161, 163, 165, 167, 169, 171, 173, 175, 177	0.02	12777	137, 141, 147, 149, 151, 153, 155, 157, 159, 161, 165, 171, 177, 179, 181, 183, 185, 187, 189, 199, 201, 203, 205, 207, 209, 215, 217, 221, 223, 225, 227, 229, 231, 233, 87	0.02	12999AV	149, 153	0.32
12725T	157	N/A				12999VA	157	N/A
12729VA	157	N/A	12882A	147, 149, 151, 153, 157, 169, 179, 181, 183, 185, 191, 193, 197, 199, 221, 223	7.6	13000	169	0.75
12733	159	N/A				13000V	169	0.9
12754	147, 149, 151, 153, 155, 159, 161, 163, 165, 167, 169, 171, 173, 175, 177	0.01	12882R	179, 181, 183	6.13	13055	171, 177, 201, 215, 217	161
12754V	149, 153, 157, 159, 161, 169, 173	0.01	12883B	179, 181, 183	0.2	13702	167, 169, 171, 173, 175, 177	1.38
12756	159	N/A	12883R	179, 181, 183	0.88	13712	169, 171, 173	4
12758	157	N/A	12884	179, 181, 183	0.03	13719	155, 165, 171, 177, 199, 201, 215, 217	N/A
12765A	147, 149, 151, 153, 159, 161, 163, 167,	0.05	12900	147, 149,	0.02	13765	169, 175, 211, 213	0.03

Part Number	Page(s)	Weights	Part Number	Page(s)	Weights	Part Number	Page(s)	Weights
	229, 231, 233		150D90	126	0.65	15752	191, 193, 195, 197	0.01
13778	137, 144, 169, 171, 173, 191, 193, 195, 197, 199, 201, 203, 205, 207, 209, 211, 213, 215, 217, 219, 229, 231, 233, 87, 89	0.02	150DFD	121	0.59	15772	191, 193, 195, 197, 199, 201	1.48
13778V	139, 169	N/A	150DSS	119	1.55	15999	191, 193, 195, 197	0.32
13999	169	0.25	150E	123	0.21	15999V	191, 193, 195, 197	0.32
13999V	169	0.35	150EFD	121	0.22	16000	219	5
14766	177	N/A	150ESS	119	1.23	16001	211, 213, 219	N/A
150(200)K	121, 124	0.13	150F	123	0.21	16002	219	N/A
150(200)K6	119	N/A	150F90	126	0.27	16003	211, 213	5.45
15000	191, 193, 195, 197	2.05	150FFD	121	0.22	16011	211, 213, 219	0.02
15000V	191, 193, 195, 197	N/A	150FSS	119	1.41	16019	211, 213, 219	1
150125A	123	0.19	150G	114, 124, 85	0.3	16099	211, 213, 219	N/A
150125B	123	0.26	150GB	119, 124	0.02	16702	211, 213, 219	N/A
150125C	123	0.27	150GFD	121	N/A	16703	219	N/A
150125D	123	0.31	150GV	114, 119, 124, 85	0.3	16704	211, 213, 219	N/A
150125E	123	0.16	150GXT	124	0.02	16704A	211, 213	N/A
150125F	123	0.18	150GXTV	124	0.03	16706	211, 213, 219	0.77
15022	179, 181, 183, 185, 187, 189, 191, 193, 195, 197, 221, 223, 225, 227	0.98	150P-3	146	40	16707	219	N/A
15025	211, 213	N/A	150P-3-V	148	16	16710	211, 213, 219	0.01
15035	177	0.35	150PB	148	52	16712	219	55.2
15035E	155, 165, 171, 199, 201, 207, 215, 217	N/A	150PB-V	148	16	16713	211, 213, 219	0.2
15055	199	N/A	150PBI	178	49	16733	211, 213	53.8
15055H	201	N/A	150PEO	158	81	16743	219	N/A
150A	123	0.18	150PI-3	178	81	16751	211, 213, 219	N/A
150A90	126	0.24	150PIHY	188	0.14	16752	211, 213, 219	0.02
150AFD	121	0.18	150PL	123	0.16	16765	211, 213, 219	0.07
150ASS	119	0.75	150PL/SS	119	0.76	16772	219	N/A
150B	123	0.57	150PLFD	121	9	16773	211, 213, 219	N/A
150BFD	121	1.38	150PO	148	47	16773A	211, 213	N/A
150BSS	119	1.38	150PO-V	148	9	16774	211, 213	2.75
150C	123	0.57	150POI	178	47	16775	219	0.03
150C90	126	0.62	150POICF5/8	178, 182	47	16901	155, 171, 177, 201, 211, 213, 215, 217, 219	0.03
150CAP	123	0.54	150POICF5/8-4.1	178, 182	47	17000	181, 183, 185, 187, 189, 191, 193, 197	1.47
150CAP/SS	119	1.28	150POICF5/8-4.6	178, 182	47			
150CAPFD	121	0.54	150POICF7/8	178, 182	47			
150CFD	121	1.54	150POICF7/8-4.1	178, 182	47			
150CSS	119	1.54	150POICF7/8-4.6	178, 182	47			
150D	123	0.59	150RING	119, 121, 124	0.25			
			150SBS	184, 186, 194, 205, 206, 224	0.25			
			15201W	199, 201	N/A			
			15702	191, 193, 195, 197, 199, 201	8.36			
			15703	191, 193, 195, 197	14.71			
			15703W	199, 201	N/A			
			15712	191, 193, 195, 197	27.34			
			15751	169, 191, 193, 195, 197	0.02			

Part Number	Page(s)	Weights	Part Number	Page(s)	Weights	Part Number	Page(s)	Weights
17000SS	221, 223, 225, 227	1.57		183, 185, 187, 189		17056	173, 189, 201, 227	0.43
17001	179, 189	1.38	17017	221, 223, 225, 227	0.25	17056E	161	N/A
17002	181, 183, 185, 187, 189	2.01	17018	179, 181, 183, 185, 187, 189, 221, 223, 225, 227	0.01	17100	179, 181, 183	4
17002SS	221, 223, 225, 227	2.32				17100SS	221, 223, 227	3.75
17003	179, 189	1.7	17019	179, 181, 183, 185, 187, 189, 191, 221, 223, 225, 227, 43, 57	0.02	17100W	185	5
17004	179, 181, 183	6.5				17123	179, 181, 183, 185, 221, 223	0.32
17004SS	221, 223	7				17130	179, 181, 183, 185, 187, 189	0.03
17005	179, 181, 183, 221, 223	0.35	17023	179, 181, 183, 185, 221, 223	0.32			
17006	179, 181, 183, 221, 223	0.25				17130SS	221, 223, 225, 227	0.02
17007	179, 181, 183, 187, 189, 221, 223, 225, 227	0.24	17024	179, 181, 183, 185, 187, 189, 221, 223, 225, 227	0.32	17200A	185	20.6
17008	179, 181, 183, 187, 189	2				17201	185	7.88
17008-4.1	179, 181, 183	1.81	17026	179, 181, 183, 185, 187, 189	24	17201A	185	31.6
17008-4.1SS	221, 223	N/A				17202	185	3.82
17008-4.6	179, 181, 183	1.9	17026SS	221, 223, 225, 227	32.6	17203A	185	5
17008-4.6SS	221, 223	1.88				17206	185	0.82
17008SS	221, 223, 225, 227	2	17028	179, 181, 183, 189	0.16	17206A	185	0.55
17009B	179, 181, 183, 185, 187, 189, 221, 223, 225, 227	0.02				17208	185	2
17010	179, 181, 183, 185, 187, 189, 191, 193, 195, 197, 209, 221, 223, 225, 227, 233	0.04	17029	171, 215	4.25	17210	185	0.06
17011	179, 181, 183, 185, 187, 189	0.85	17032	185	0.04	17211	185, 207	0.25
17011SS	221, 223, 225, 227	0.82	17033	179, 181, 183, 191, 193, 197	1.5	17212	185, 207	0.02
17013	179, 181, 183, 185, 187, 189, 191, 193, 197	0.03	17034	191, 193, 197	0.02	17226	185	29
17014	221, 223, 225, 227	0.03	17035	179, 181, 183, 187, 189	0.18	17235	185, 207	0.35
17016	179, 181,	0.03	17035SD	179, 181, 183, 189	0.13	17242	185	0.25
			17035SS	221, 223, 225, 227	0.18	17406	187, 225	0.38
			17040	179, 181, 183, 185, 207, 221, 223	0.03	17408	187	N/A
			17042	179, 181, 183, 187, 189, 221, 223, 225, 227	0.03	17408SS	225	2
			17046	179, 181, 183, 187	7.4	17446	187	N/A
			17046SS	221, 223, 225	8.8	17446SS	225	N/A
			17049A	189	10.85	17449	187, 217, 225	N/A
			17049ASS	227	N/A	17600A	189	17.5
			17055A	189, 227	N/A	17600ASS	227	N/A
						17701	159, 187, 195, 225	N/A
						17704	157, 159, 187, 195, 203, 205, 207, 211, 213, 219, 225	0.5
						17901	211, 213	N/A
						18001	203, 205, 207, 209	65.65
						18001SS	229, 231, 233	N/A
						18004	203, 205, 207, 209	1.53
						18004SS	229, 231, 233	1.65

Part Number	Page(s)	Weights	Part Number	Page(s)	Weights	Part Number	Page(s)	Weights
18008	203, 205, 207, 209	3.5		231, 233			229,231	
18008SS	229, 231, 233	4	18035	203, 205	2.75	18506	205	N/A
18009	203, 205, 207, 209	0.03	18042	229, 231, 233	0.5	18511	211, 213, 219	N/A
18010SS	161, 173, 189, 201, 203, 205, 207, 209, 227, 229, 231, 233	0.03	18044	229, 231, 233	0.02	18512	211, 213, 219	0.06
18012	203, 205, 207, 209	3.15	18048	203, 205	14	18600	209	N/A
18012SS	229, 231, 233	4.35	18048SS	229, 231	N/A	18600SS	233	N/A
18013	203, 205, 207, 209	0.5	18049	203, 205, 209	20.6	18700	183, 204, 220, 223,230	3
18021	203, 205, 207, 209, 229, 231, 233	0.21	18049SS	233	N/A	18702	183, 204, 220, 223,230	1.63
18023	203, 205, 209	4.35	18055	203, 205, 209, 233	0.75	19001H	217	N/A
18023-1.125	203, 205	4.07	18055H	217	N/A	19201W	215, 217	N/A
18023-1.125SS	229, 231	4.25	18056	209, 233	N/A	19702	215, 217	N/A
18023SS	229, 231, 233	4.32	18058	187, 209, 217, 225, 233	0.03	19703W	215, 217	N/A
18025	187, 203, 205, 209	0.39	18059	209, 233	0.03	19766	201, 217	N/A
18025SD	203, 205, 209	0.32	18100	203, 205, 209	7.2	19772	215, 217	N/A
18025SS	225, 229, 231, 233	0.25	18100SS	229, 231, 233	N/A	200150C	125	0.67
18026	203, 205	9.6	18100W	207	9.2	200A	123	0.3
18026SS	229, 231	10	18106	203, 205, 207, 209	0.07	200A90	126	0.45
18027	211, 213, 219, 229, 231	0.09	18106SS	229, 231, 233	0.02	200AFD	121	0.31
18029	203, 205, 207, 209, 229, 233	0.63	18129	187, 203, 205, 207, 225, 229	0.57	200ASS	119	0.99
18030	203, 205, 229, 231	0.07	18135A	171, 215	N/A	200B	123	0.64
18032	203, 205, 229, 231	0.03	18135B	171, 215	N/A	200B90	126	0.82
18033	199, 201, 203, 205, 207, 209, 211, 213, 215, 217, 219, 229, 231, 233	1.25	18200A	207	31.6	200BFD	121	0.6
18034	199, 201, 203, 205, 207, 209, 211, 213, 215, 217, 219, 229,	0.05	18201	207	10.92	200BSS	119	1.85
			18202	207	4.86	200C	123	0.69
			18202A	207	5	200C90	126	0.78
			18203	207	9.05	200CAP	111, 123	0.6
			18203A	207	13.2	200CAP/SS	119	1.69
			18204	207	1.32	200CAPFD	121	0.6
			18205	207	0.26	200CAPSH	111, 123	0.57
			18206	207	N/A	200CAPSHFD	121	0.5
			18218	203, 205, 207, 209, 229, 231, 233	0.04	200CFD	121	0.7
			18222	207	1.5	200CSS	119	2.38
			18223	207	3.59	200D	123	0.66
			18435	219	N/A	200D90	126	0.88
			18500	203, 205, 207, 211, 213, 219, 229, 231	13	200DFD	121	0.66
			18502	203, 205, 209, 217, 233	3.4	200DSS	119	1.97
			18504	203, 205,	1.82	200E	123	0.29
						200EFD	121	0.29
						200ESS	119	2.06
						200F	123	0.31
						200F45	126	0.35
						200F90	126	0.42
						200FF	124	0.35
						200FFD	121	0.29
						200FSS	119	1.55
						200G	109, 114, 124, 85	0.03
						200GB	119, 124	0.02
						200GFD	121	0.02

Part Number	Page(s)	Weights
200GV	109, 114, 119, 124,	0.03
	85	
200GXT	124	0.02
200GXTV	124	0.07
200KL	125	0.25
200P	101, 103, 119, 121, 124, 93, 95	0.17
200P-3	150	40
200P-3-V	152	40
200P6PRO	150	50
200P6PROSS	220	N/A
200P6PROV	152	51
200P6PROVA	156	N/A
200P6PROW	154	N/A
200PB	152	18
200PB-SS	222	52
200PB-V	152	18
200PB-VA	156	18
200PBI	182	56
200PBW	154	N/A
200PEO	158	N/A
200PH-5	150	50
200PH-5E	150	N/A
200PH-5V	152	N/A
200PH5-SS	220	105
200PH5VA	156	N/A
200PH5W	154	53
200PH6	150	N/A
200PHA	160	N/A
200PHASS	226	N/A
200PHY	160	25
200PHYSS	226	N/A
200PI-3	180	81
200PI6PRO	180	90
200PIH-5	180	105
200PIH5E	180	N/A
200PIHA	188	N/A
200PIHY	188	48
200PKL	125	0.06
200PL	123	0.21
200PL/SS	119	0.99
200PLFD	121	0.25
200PO	152	9
200PO-SS	222	47
200PO-V	152	N/A
200POI	182	52.5
200POICF5/8	182	47
200POICF5/8-4.1	182	47
200POICF5/8-4.6	182	47
200POICF7/8	182	47
200POICF7/8-4.1	182	47
200POICF7/8-4.6	182	47
200POSSCF5/8	222	47

Part Number	Page(s)	Weights
200POSSCF7/8	222	90
200SBS	184, 186, 194, 205, 206, 224	0.25
201B	123, 125	0.63
201CAPSH	111	0.5
201FPT	111	0.03
201PBIW	184	58
201PI6PROW	184	98
201PIH5W	184	94
201POIW	184	59
202CAP	111	0.26
205PB	152	16
205PB-V	152	16
205PB-VA	156	N/A
205PO	152	9
205PO-V	152	9
211FPT	111	0.03
220FSWP90	126	N/A
222PBI	192	70
222PI6PRO	190	107
222PIE5	194	180
222PIE51	194	190
222PIH5	190	103
222PIH5E	190	110
222PIH6	190	110
222PIHY	196	N/A
222POI	192	60
225POI	192	60
231EPA	110	0.1
231MPT	110	0.03
231MPTBN	110	N/A
234PE3SS	224	145
234PE51SS	224	180
234PE5SS	224	185
234PIE3	186	140
234PIE5	186	175
234PIE51	186	200
234POI	186	N/A
234PPE5	158	135
234PPE51	158	N/A
234PPE51V	158	145
234PPE5V	158	123
234PPE5VA	156	N/A
250CAP	123	0.68
250G	124	0.35
250PL	123	0.42
300A	124	0.48
300AFD	121	0.49
300ASS	119	1.91
300B	124	1.17
300BFD	121	1.13
300BSS	119	3.3
300C	124	1.4
300CAP	124	1.07

Part Number	Page(s)	Weights
300CAP/SS	119	3.61
300CAPFD	121	0.54
300CFD	121	1.32
300CSS	119	5.06
300D	124	1.19
300DFD	121	1.07
300DSS	119	4.54
300E	124	0.78
300EFD	121	0.78
300ESS	119	4.62
300F	124	0.57
300F200F	124	0.57
300FF	124	0.6
300FFD	121	0.57
300FSS	119	3.81
300G	114, 124, 85	0.06
300GB	119, 124	0.04
300GFD	121	0.05
300GV	114, 119, 124, 85	0.06
300GVXT	124	0.07
300GXT	124	0.04
300K	121, 124, 139	0.31
300K6	119	0.23
300MP	119	0.03
300P	121, 124, 139	0.12
300P11PRO	168	N/A
300P11PROW	170	67
300P6PROW	170	N/A
300PB	168	20
300PB-SS	230	100
300PBI	204	125
300PBW	170	26
300PH-6	168	50
300PH11-SS	228	150
300PH11W	170	N/A
300PH13SS	228	150
300PH13W	170	N/A
300PH6W	170	56
300PHY	172	26
300PHYSS	232	140
300PI11PRO	202	163
300PIH-11	202	192
300PIH-8	202	195
300PIH13	202	210
300PIHY	208	140
300PL	124	0.43
300PL/SS	119	1.98
300PLFD	121	N/A
300PO	168	N/A
300PO-SS	230	115
300PO-SSCF	230	90

Part Number	Page(s)	Weights	Part Number	Page(s)	Weights	Part Number	Page(s)	Weights
300POI	204	106	75GFD	121	N/A		195,	
300POICF	204	90	75GV	119, 124	0.1	BF125	112	0.82
300SBS	184, 186, 194, 205, 206, 224	0.25	75K	119, 121, 124	0.05	BF125BD	113	0.82
						BF125BDV	113	0.85
301PBIW	206	135	75P	119, 121, 124	0.04	BF150	112	1.17
301PIH13W	206	N/A				BF150BD	113	1.25
301POIW	206	130	75PL	123	0.05	BF150BDV	113	1.2
303B	124, 125	1.5	75PLFD	121	0.07	BF150V	112	1.2
303B200A	125	1.42	A020V	97	N/A	BF200	112	1.07
303C	124, 125	1.66	A203V	165, 199, 201, 217	N/A	BF200BD	113	1.2
333PBI	210	185				BF200BDV	113	1.2
333PIE15	212	242	A232V	65	N/A	BF200GE	112, 113	0.05
333PIH13	210	285	A238V	65	N/A	BF200GFE	113	0.02
333POI	210	N/A	AF100	117	0.3	BF200GFV	113	0.05
400A	124	1.31	AF100G	117	0.06	BF200GV	112, 113	0.05
400ASS	119	3.7	AF100GV	117	0.06	BF200V	112	1.07
400B	124	2.03	AF150	117	0.43	BF207	201, 217	N/A
400BSS	119	5.26	AF150G	117	0.08	BF220	112	1.45
400C	124	2.39	AF150GV	117	0.08	BF220BD	113	1.5
400CAP	124	1.44	AF200	117	0.62	BF220BDV	113	1.38
400CAP/SS	119	5.11	AF200G	117	0.17	BF220GE	112, 113	0.02
400CSS	119	6.74	AF200GV	117	0.17	BF220GV	112, 113	0.08
400D	124	2.07	AF300	117	1.17	BF220V	112	0.06
400DSS	119	6.96	AF300G	117	0.17	BF300	112	2.13
400E	124	2.11	AF300GV	117	0.17	BF300BD	113	2.25
400ESS	119	6.53	AF400	117	1.54	BF300BDV	113	2.25
400F	124	1.47	AF400G	117	0.45	BF300GE	112, 113	0.2
400FSS	119	6.27	AF400GV	117	0.45	BF300GFE	113	0.02
400G	124	0.06	AFB100	117	0.28	BF300GFV	113	0.02
400GB	119, 124	0.07	AFB150	117	0.47	BF300GV	112, 113	0.1
400GV	119, 124	0.19	AFB200	117	0.69	BF300V	112	2
400GXT	124	0.07	AFB300	117	1.38	BW220SWP90SS	83	0.75
400PL	124	1.11	AFB400	117	1.95	CAP025	130	0.03
400PL/SS	119	3.42	B0516650	65	N/A	CAP038	130	0.03
433PBI	218	185	BANJOMAN	112, 128	N/A	CAP050	130	0.06
444PBI	218	175	BC090	128	0.06	CAP075	130	0.05
444PI23	218	N/A	BC114	128	0.05	CAP100	130	0.09
444PIH24	218	345	BEM3	187, 225	N/A	CAP125	130	0.13
444POI	218	N/A	BEM5	187, 225	N/A	CAP150	130	0.12
60FDIN	111	0.05	BEM5-182CZ	195	N/A	CAP200	130	0.25
75A1/2	123	0.07	BEM51	187, 225	N/A	CAP300	130	0.57
75A1/2/SA	126	0.07	BEM51-182CZ	195	N/A	CPLG025	129	0.03
75A1/4	123	0.08	BF075	112	0.82	CPLG038	129	0.03
75A1/4/SA	126	0.08	BF075BD	113	0.88	CPLG050	129	0.09
75A3/4	123	0.05	BF075BDV	113	0.85	CPLG075	129	0.11
75A3/4/SA	126	0.05	BF075V	112	0.8	CPLG100	129	0.13
75A3/4FD	121	0.05	BF100	112	0.82	CPLG125	129	0.19
75A3/8	123	0.07	BF100BD	113	0.9	CPLG150	129	0.3
75A3/8/SA	126	0.07	BF100BDV	113	0.85	CPLG200	129	0.34
75B1/2	123, 126	0.14	BF100GE	112, 113	0.07	CPLG300	129	0.82
75B3/4	123, 126	0.14	BF100GRE	113	0.01	CR025	130	0.04
75BFD	121	0.14	BF100GRV	113	0.01	CR038	130	0.05
75G	124	0.1	BF100GV	112, 113	0.06	CR050	130	0.13
75GB	119, 124	0.9	BF100V	112	0.8	CR075	130	0.35
			BF107	65,159,	N/A	CR100	130	0.27

Part Number	Page(s)	Weights
CR125	130	0.73
CR150	130	0.74
CR200	130	0.75
CTS200AR	106	0.66
CTS200D	106	0.86
CV100MT	32	0.18
CV10175	155, 165, 171, 177, 199, 201, 215, 217	0.2
CV300	32	1.45
DB20153M	93, 95	N/A
DB20255	93, 95	0.13
DB20258	101, 103, 93, 95	0.05
DB20281	101, 103, 105, 93, 95	0.02
DB20288	93, 95	0.02
DB20290	93, 95	N/A
DB20294	93, 95	N/A
DM100ABSS	98	3.5
DM100ASS	98	3.5
DM100CAP	99	0.2
DM100DBSS	98	3.75
DM100DBSSE	98	3.75
DM100DBSST	98	3.75
DM100DSS	98	3.75
DM100DSSE	98	3.75
DM100DSST	98	3.75
DM100K	99	0.01
DM100PL	99	0.25
DM10151SS	99	N/A
DM10153FSS	99	0.2
DM10153MSS	99	0.25
DM10154SS	99	N/A
DM10155SS	99	N/A
DM101SS	99	0.57
DM10254FSS	99	0.7
DM10254MSS	99	N/A
DM10255SS	99	N/A
DM10256BSS	99	N/A
DM10256SS	99	N/A
DM10257BSS	99	N/A
DM10257SS	99	N/A
DM10258	99	N/A
DM10281	99	0.01
DM10288SS	99	0.02
DM10289SS	99	0.02
DM10294A	99	0.02
DM10295A	99	0.02
DM10296	99	N/A
DM102SSE	99	0.5
DM102SST	99	N/A
DM102SSV	99	0.57
DM10300	99	0.07
DM150A	92	2.2

Part Number	Page(s)	Weights
DM150AB	92	2.2
DM150ABE	92	N/A
DM150ABSS	100	N/A
DM150ABT	92	N/A
DM150AD	92	6.35
DM150AE	92	2.75
DM150ASS	100	6.35
DM150AT	92	2.2
DM150D	92	2.75
DM150DB	92	2.2
DM150DBE	92	N/A
DM150DBSS	100	6.9
DM150DBSSE	100	6.9
DM150DBSST	100	6.9
DM150DBT	92	N/A
DM150DE	92	2.82
DM150DSS	100	6.9
DM150DSSE	100	6.9
DM150DSST	100	6.9
DM150DT	92	N/A
DM15151SS	101, 103	N/A
DM15153SS	101, 103	N/A
DM15154FSS	101, 103	N/A
DM15154MSS	101, 103	N/A
DM15154SS	101, 103	N/A
DM15155SS	101, 103	N/A
DM15204SS	101, 103	N/A
DM15255FSS	101, 103	N/A
DM15255MSS	101, 103	N/A
DM15256FBSS	103	N/A
DM15256FSS	103	N/A
DM15256MBSS	103	N/A
DM15256MSS	103	N/A
DM15257FBSS	101	N/A
DM15257FSS	101	N/A
DM15257MBSS	101	N/A
DM15257MSS	101	N/A
DM15288SS	101, 103	N/A
DM15289SS	101, 103	2.25
DM200A	94	2.2
DM200AB	94	2.2
DM200ABSS	102	6.2
DM200ACAP	101, 103	N/A
DM200ACF	78	3.15
DM200AD	94	6.2
DM200AE	94	2.75
DM200APL	101, 103	0.5
DM200ASS	102	6.2
DM200AT	94	2.2
DM200CAP	93, 95	0.5
DM200D	94	2.75
DM200DB	94	2.2
DM200DBSS	102	6.9
DM200DBSSE	102	6.9
DM200DBSST	102	6.9

Part Number	Page(s)	Weights
DM200DCF	78	2.75
DM200DE	94	3
DM200DSS	102	6.9
DM200DSSE	102	6.9
DM200DSST	102	6.9
DM200DT	94	N/A
DM200KX	101, 103, 93, 95	0.2
DM200PL	93, 95	0.43
DM20153F	93, 95	0.25
DM20153M	93, 95	0.32
DM201SS	101, 103	1.24
DM20200A	93, 95	0.25
DM20200D	93, 95	0.27
DM20254	93, 95	N/A
DM20254F	93, 95	0.5
DM20254T	93, 95	N/A
DM20256	95	N/A
DM20256B	95	N/A
DM20257	93	N/A
DM20257B	93	N/A
DM20265	93, 95	N/A
DM20289	93, 95	N/A
DM20294A	101, 103, 93, 95	0.03
DM20295A	101, 103, 93, 95	0.03
DM20296	101, 103, 93, 95	N/A
DM202SSE	101, 103	1.25
DM202SST	101, 103	1.3
DM202SSV	101, 103	1.32
DM20300	101, 103, 93, 95	0.13
DM220ABSS	104	N/A
DM220ASS	104	N/A
DM220CAP	105	N/A
DM220DBSS	104	7
DM220DBSSE	104	N/A
DM220DSS	104	9.8
DM220DSSE	104	N/A
DM220DSST	104	N/A
DM220PL	105	N/A
DM221SS	105	0.45
DM222SS	105	0.47
DM25001	105	N/A
DM25002	105	N/A
DM25004	105	N/A
DM25009	105	N/A
DM25010	105	N/A
DM25010A	105	N/A
DM25018	105	N/A
DM25018A	105	N/A
DM25020	105	N/A
DM25151SS	105	N/A

Part Number	Page(s)	Weights	Part Number	Page(s)	Weights	Part Number	Page(s)	Weights
DM25153SSF	105	N/A	EL200-90	131	0.44	EVR204FP	40	7
DM25153SSM	105	N/A	EL300-90	131	1.21	EVR3100	37, 45, 55,	N/A
DM25154SS	105	N/A	EV075	36	4.94		59	
DM25155SS	105	N/A	EV075BL	44	4.96	EVR3102	37	N/A
DM25204SS	105	N/A	EV075BLXR1	45	4.2	EVR4100	39, 41, 47,	3.75
DM25254FSS	105	N/A	EV075SL	44	4.94		49, 55, 59	
DM25254MSS	105	N/A	EV075SLXR1	45	4.2	EVR4102	39, 41	N/A
DM25255SSH	105	N/A	EV075XR1	37	N/A	F-IS100	108	1
DM25255SSHF	105	N/A	EV100BL	44	4.5	F-ISO11	108	2.2
DM25256SS	105	N/A	EV100BLXR1	45	N/A	FC100	37, 39, 41,	0.25
DM25258FV1	105	N/A	EV100FP	36	4.94		45, 47, 49,	
DM25258FV2	105	N/A	EV100SL	44	4.5		55, 59, 61,	
DM25288FSS	105	N/A	EV100SLXR1	45	N/A		85	
DM25288MSS	105	N/A	EV100XR1	37	N/A	FC200	85	0.23
DM25289SS	105	N/A	EV10210	37, 45, 55,	0.25	FC220	79, 85	0.25
DM25294	105	N/A		59, 61		FC220B	85	1.37
DM25294T	105	N/A	EV125	36	4.88	FC220TB	85	0.43
DM300ABFP	96	N/A	EV125BL	44	4.88	FC300	79, 85	0.34
DM300ACF	78	N/A	EV125BLXR1	45	N/A	FC300B	85	1.76
DM300AFP	96	4.8	EV125SL	44	6.48	FC300TB	85	0.52
DM300CAP	97	N/A	EV125SLXR1	45	N/A	FM100	80	2.75
DM300DBFP	96	N/A	EV125XR1	37	N/A	GHFT075A	127	0.06
DM300DCF	78	N/A	EV150	38	6.36	GHFT075D	127	0.17
DM300DFP	96	8.4	EV150BL	46	6.36	GHFT075MPT	127	0.04
DM300PL	97	N/A	EV150BLXR1	47	N/A	GHMT075B	127	0.14
DM35006	97	N/A	EV150SL	46	6.48	GHMT075F	127	0.05
DM35009	97	N/A	EV150SLXR1	47	N/A	GHMT075FPPT	127	0.04
DM35010	97	N/A	EV150XR1	39	N/A	GHMT075MPT	127	0.04
DM35013	97	N/A	EV200	38	6.41	GHN075	127	0.6
DM35153F	97	N/A	EV200BL	46	6.41	GP038200	97	N/A
DM35153M	97	N/A	EV200BLXR1	47	N/A	GP0516300	97	N/A
DM35254F	97	N/A	EV200SL	46	8.85	HB025	132	0.01
DM35254M	97	N/A	EV200SLXR1	47	N/A	HB025-038	132	0.01
DM35255	97	N/A	EV200XR1	39	N/A	HB025-038SS	132	0.07
DM35258	97	N/A	EV20210	39, 47, 55,	0.3	HB025-050	132	0.01
DM35281	97	N/A		59, 61		HB025-050SS	132	0.07
DM35288F	97	N/A	EV204BLFP	48	8.06	HB025-90	132	0.01
DM35288M	97	N/A	EV204BLXR1	49	N/A	HB025/038-90	132	0.01
DM35289	97	N/A	EV204FP	40	8.85	HB025/050-90	132	0.02
DM35294	97	N/A	EV204SLFP	48	4.5	HB025SS	132	0.04
DMMT201A	94	2.5	EV204SLXR1	49	N/A	HB038	132	0.01
DMMT201AE	94	2.5	EV204XR1	41	N/A	HB038-025	132	0.02
DMMT20256	95	N/A	EV25210	41, 49, 55,	0.45	HB038-050	132	0.02
DP02063	97	N/A		59, 61		HB038-050SS	132	0.1
DPCF100	91	0.5	EV300FP	42	12	HB038-90	132	0.02
DPCM100	91	0.25	EV3100	37, 45, 55,	2.5	HB038SS	132	0.09
DPCMT100	91	0.27		59, 61		HB050	132	0.03
EL025-90	131	0.03	EV4100	39, 41, 47,	3	HB050-025	132	N/A
EL038-90	131	0.04		49, 55, 59,		HB050-038	132	0.02
EL050-90	131	0.07		61		HB050-058SS	132	0.14
EL075-90	131	0.1	EVR075	36	4.5	HB050-075	132	0.03
EL100-45	131	0.14	EVR100FP	36	4.5	HB050-075SS	132	0.2
EL100-90	131	0.15	EVR125	36	6.48	HB050-90	132	0.03
EL125-90	131	0.23	EVR150	38	6.48	HB050/038-90	132	0.02
EL150-90	131	0.33	EVR200	38	5.75	HB050/075-90	132	0.04
						HB050SS	132	0.13

Part Number	Page(s)	Weights	Part Number	Page(s)	Weights	Part Number	Page(s)	Weights
HB075	132	0.04	HBT075	133	0.05	LS075-GV	141	0.02
HB075-038	132	0.03	HBT075-050	133	0.04	LS075B/C1	141	0.28
HB075-050	132	0.03	HBT075-100	133	0.06	LS100-20	140	0.91
HB075-050SS	132	0.2	HBT100	133	0.07	LS100-40	140	0.9
HB075-058	132	0.04	HBT100-075	133	0.06	LS100-80	140	0.96
HB075-100	132	0.05	HBT100-100	133	0.08	LS100-B	141	0.5
HB075-100SS	132	0.25	HBT150-100	133	0.21	LS100-C1	141, 87	0.88
HB075-90	132	0.05	HBT150-150	133	0.23	LS100-G	141, 87	0.02
HB075/050-90	132	0.04	HBT200	133	0.4	LS100-GV	141	0.02
HB075/100-90	132	0.05	HBT300	133	1.15	LS100B/C1	141	0.88
HB075SS	132	0.2	HM025	133	0.03	LS120	141, 87	0.07
HB100	132	0.06	HM038	133	0.03	LS125-20	140	0.86
HB100-075	132	0.06	HM050	133	0.01	LS125-40	140	0.84
HB100-075SS	132	0.3	HM075	133	0.02	LS125-80	140	0.9
HB100-125	132	0.08	HM100	133	0.04	LS125-B	141	0.59
HB100-90	132	0.07	HM125	133	0.07	LS125B/C1	141	0.25
HB100/075-90	132	0.06	HM150	133	0.08	LS125G	141, 87	0.05
HB100/125-90	132	0.1	HM200	133	0.22	LS140	141, 87	0.07
HB100SS	132	0.3	HM300	133	0.73	LS141G	143, 87	0.06
HB125	132	0.1	HSV1000	160, 172, 188, 196, 200, 208, 216, 226, 232	11	LS150	87	0.07
HB125-075	132	0.08				LS150-06	142	2.42
HB125-100	132	0.09				LS150-12	142	2.42
HB125-150	132	0.1				LS150-120	142	2.5
HB125-90	132	0.11	HV150	78	0.45	LS150-12P	142	2.27
HB125/100-90	132	0.09	HV200	78	0.58	LS150-20	142	2.42
HB125/150-90	132	0.09	HY1001	209	N/A	LS150-20P	142	2
HB125SS	132	0.5	HY1003	161, 189	N/A	LS150-30	142	2.5
HB150	132	0.13	HY1012	209, 217, 233	13.2	LS150-50	142	2.5
HB150-100	132	0.09				LS150-50P	142	1.99
HB150-125	132	0.1	HY1013	161, 173, 189, 201, 227	4.5	LS150-80	142	2.5
HB150-200	132	0.19				LS150-B	143	1.4
HB150-90	132	0.23				LS150-C	143, 87	0.57
HB150/125-90	132	0.16	L150B	125	0.58	LS150-G	143, 87	0.03
HB150SS	132	0.75	L150C	125	0.58	LS150-GV	143, 87	0.03
HB200	132	0.2	L150CAP	125	0.55	LS150B/C	143	1.91
HB200-150	132	0.27	L150D	125	0.6	LS180	141, 87	2.12
HB200-90	132	0.33	L200B	125	0.64	LS200-06	142	2.5
HB200/150-90	132	0.22	L200C	125	0.7	LS200-100	142	2
HB200SS	132	1.13	L200CAP	125	0.62	LS200-12	142	2.33
HB300	132	0.7	L200D	125	0.67	LS200-120	142	2
HB300-90	132	1.05	LEV038	2, 34	0.55	LS200-12P	142	2.2
HB300SS	132	3.55	LEV050	2, 34	0.6	LS200-20	142	2.33
HB400	132	1.6	LS050-20	140	0.35	LS200-20P	142	2.25
HBB20012590	131	0.25	LS050-40	140	0.35	LS200-30	142	2.42
HBC050075	130	0.05	LS050-60	140	N/A	LS200-50	142	2.42
HBEL100-90	131	0.05	LS050-80	140	0.37	LS200-50P	142	1.91
HBEL150/100-90	131	0.19	LS050-B	141	0.22	LS200-80	142	2.42
HBFO75	132	0.06	LS050B/C1	141	0.98	LS200-B	143	1.3
HBFO75-100	132	0.07	LS075-20	140	0.3	LS200B/C	143	2
HBFO100	132	0.09	LS075-40	140	0.33	LS206	139, 143, 87	0.3
HBT025	133	0.03	LS075-60	140	N/A			
HBT038	133	0.03	LS075-80	140	0.35	LS2100	143, 87	0.09
HBT050	133	N/A	LS075-B	141	0.23	LS212	139, 143, 87	0.29
HBT050-038	133	0.02	LS075-C1	141	0.29			
HBT050-075	133	0.03	LS075-G	141	0.02			

Part Number	Page(s)	Weights	Part Number	Page(s)	Weights	Part Number	Page(s)	Weights
LS2120	139, 143, 87	0.08	LSQ200R1	139	0.02	LST150-GV	137, 87	0.03
LS212P	143	0.08	LSS300-B	144	21.48	LST150-H	137	1.11
LS2150	139, 143, 87	0.11	LSS300-BC	144	24.26	LST150-HB	137	0.26
LS220	139, 143, 87	0.2	LSS300-C	144	3	LST15100	137, 87	0.27
LS220P	143	0.17	LSS300-G	144	N/A	LST1516	137, 87	0.2
LS230	139, 143, 87	0.17	LSS300-GV	144	0.07	LST1530	137, 87	0.17
LS250	139, 143, 87	0.13	LSS300-H	144	0.05	LST1550	137, 87	0.15
LS250P	143	0.13	LSS300-S	144	0.01	LST1580	137, 87	0.1
LS280	139, 143, 87	0.1	LSS300-SV	144	0.01	LST180	137, 87	0.07
LS300EC	144, 89	0.64	LSS306	144	0.3	LST200-04SS	138	16
LS304	144, 89	1.05	LSS308	144	0.38	LST200-06SS	138	16
LS308	144, 89	0.92	LSS312	144	0.35	LST200-08SS	138	16
LS312	144, 89	4.31	LSS320	144	0.8	LST200-100SS	138	16
LS320	144, 89	1.03	LSS330	144	0.79	LST200-10SS	138	16
LS350	144, 89	0.92	LSS350	144	0.83	LST200-16SS	138	16
LS720	141	0.04	LST034G	137, 87	0.02	LST200-30SS	138	16
LS740	141	0.04	LST050B	135	0.07	LST200-50SS	138	16
LS760	141	N/A	LST050BC	135	0.07	LST200-80SS	138	16
LS780	141	0.04	LST050H	135	0.2	LST200-B	139	1.95
LSM300-04	144	8	LST075-100	136	0.83	LST200-GV	139	0.04
LSM300-08	144	8	LST075-16	136	0.78	LST200-HBSS	139	0.35
LSM300-12	144	8	LST075-30	136	0.84	LST200-HSS	139	0.32
LSM300-20	144	8	LST075-50	136	0.84	LST204SS	139, 89	0.31
LSM300-50	144	N/A	LST075-80	136	0.83	LST206SS	139, 89	0.27
LSQ150-06	138	4.17	LST075-H	137	0.51	LST208SS	139, 89	0.49
LSQ150-12	138	4.17	LST075-HB	137	0.78	LST2100SS	139, 89	0.45
LSQ150-120	138	4.17	LST075H2	135	0.2	LST210SS	139, 89	0.48
LSQ150-20	138	4.17	LST100-100	136	0.76	LST216SS	139, 89	0.27
LSQ150-30	138	4.17	LST100-16	136	0.75	LST230SS	139, 89	0.49
LSQ150-50	138	4.17	LST100-30	136	0.79	LST250SS	139, 89	0.49
LSQ150-80	138	4.17	LST100-50	136	0.81	LST280SS	139, 89	0.48
LSQ150-B	139	1.89	LST100-80	136	0.78	LST5100	135	0.05
LSQ200-06	138	4.17	LST100-B	137, 87	2.17	LST530	135	0.05
LSQ200-12	138	4.17	LST100-G	137, 87	0.02	LST550	135	0.05
LSQ200-120	138	4.17	LST100-GV	137, 87	0.02	LST580	135	0.05
LSQ200-20	138	4.17	LST100-H	137	0.47	LSTM050-100	134	0.76
LSQ200-30	138	4.17	LST100-HB	137	2.25	LSTM050-100C	134	0.76
LSQ200-50	138	4.17	LST1100	137, 87	0.07	LSTM050-30	134	0.76
LSQ200-80	138	4.17	LST116	137, 87	0.07	LSTM050-30C	134	0.76
LSQ200-B	139	1.75	LST125-100	136	2.26	LSTM050-50	134	0.3
LSQ200-C	139	0.26	LST125-16	136	2.12	LSTM050-50C	134	0.76
LSQ200-G	139	0.05	LST125-30	136	2.22	LSTM050-80	134	0.76
LSQ200-GV	139	0.05	LST125-50	136	2.24	LSTM050-80C	134	0.76
LSQ200-PL	137, 139, 143, 87, 89	0.04	LST125-80	136	2.18	LSTM050G	135	0.02
LSQ200-R	137, 143, 87, 89	0.002	LST125-H	137	1.15	LSTM075-100	134	0.76
LSQ200-RV	137, 139, 143	0.02	LST125-HB	137	2.19	LSTM075-100C	134	0.76
			LST130	137, 87	0.07	LSTM075-30	134	0.76
			LST150	137, 87	0.07	LSTM075-30C	134	0.76
			LST150-100	136	1.9	LSTM075-50	134	0.76
			LST150-16	136	2.07	LSTM075-50C	134	0.76
			LST150-30	136	2.12	LSTM075-80	134	0.76
			LST150-50	136	2.15	LSTM075-80C	134	0.76
			LST150-80	136	2.13	LV025MTV	11	0.06
			LST150-B	137, 87	0.22	LV025V	11	0.06
			LST150-G	137, 87	0.03	LV038050MTV	11, 136,	0.06

Part Number	Page(s)	Weights
	138, 140, 142	
LV038MTV	11	0.07
LV038V	11	0.07
LV050100MTV	11, 136, 138, 140, 142	0.11
LV050MTV	11	0.06
LV050SLV	11	N/A
LV050V	11	0.07
LVHB025V	11	0.05
LVHB038050MTV	11, 136, 138, 140, 142	0.07
LVHB038V	11	0.06
LVHB050V	11	0.07
LVHB075100MTV	11, 136, 138, 140, 142	0.13
LVHB075MTV	11	N/A
LVHB075V	11	0.08
M100050FPT	84	0.6
M100075BRB	84	0.06
M100075BRB90	85	0.06
M100075FPT	84	0.05
M100075MPT	84	0.05
M100100HBT	85	0.09
M100125BRB	84	0.08
M100125BRB90	85	0.11
M100125BRBSWP90	81	0.15
M100125BRBSWPG90	81	0.15
M100125HBT	85	N/A
M100125MPT	84	0.11
M100150BRB90	85	0.17
M100A	84	0.07
M100BRB	84	0.06
M100BRB45	85	0.07
M100BRB90	85	0.08
M100BRBSWP90	81	0.15
M100BRBSWPG90	81	0.15
M100BSP	84	0.07
M100CPG	83	0.09
M100CPG45	83	0.09
M100CPG90	83	0.14
M100CR	85	0.24
M100FPT	84	0.09
M100G	85	0.02
M100GV	85	0.02
M100MPT	84	0.08
M100MPTSS	84	0.34
M100PA	82	0.25
M100PAC	82	0.32
M100PAT	82	0.65
M100PLG	84	0.05
M100PLG025	84	0.04

Part Number	Page(s)	Weights
M100PLG050	84	N/A
M100SWFSS	82	0.35
M100SWP90	81	0.13
M100SWPG90	81	0.13
M100TEE	83	0.2
M101G	85	N/A
M101GSA	82	0.07
M101TEE	83	0.23
M104SWFSS	82	0.7
M12712		N/A
M13712	175, 177	
M15712	199, 201	
M17000	180, 181, 183	
M17002	180, 181, 183	
M18008	202, 203, 204, 205	
M18012	202, 203, 204, 205	
M19712X	215, 217	
M200100BRB	84	0.15
M200100BRB90	85	0.16
M200100CPG	83	0.16
M200100TEE	83	0.52
M200100TEEB	51, 83	0.7
M200125BRB	84	0.16
M200125BRB90	85	0.21
M200125MPT	84	0.2
M200125MPTSS	84	0.2
M200150BRB	84	0.17
M200150BRB45	85	
M200150BRB90	85	0.21
M200150MPT	84	0.23
M200150MPTSS	84	0.23
M200A	84	0.24
M200BRB	84	0.24
M200BRB45	85	0.26
M200BRB90	85	0.34
M200BSP	84	0.26
M200CPG	83	0.43
M200CPG45	83	0.31
M200CPG90	83	0.62
M200CPG90SH	83	0.44
M200CR	85	0.69
M200FPT	84	0.29
M200MPT	84	0.26
M200MPTSS	84	0.81
M200PLG	84	0.12
M200PLG018	84	0.08
M200PLG025	84	0.09
M200PLG038	84	0.09
M200PLG050	84	0.09
M200PLG075	84	0.1
M200PLG100	84	0.11

Part Number	Page(s)	Weights
M200SWFSS	82	0.7
M200SWP90	81	0.38
M200TEE	83	0.6
M200YG45	83	N/A
M201G	85	0.05
M220100BRB	84	N/A
M220100CPG	83	N/A
M220100TEE	83	0.4
M220125BRB	84	0.16
M220150BRB	84	0.16
M220150BRB90	85	0.21
M220150MPTSS	84	0.65
M220200CPG	83	0.19
M220200HBT	85	0.4
M220200SWP90	81	0.37
M220200TEE	83	N/A
M220250BRB	84	N/A
M220375SWFSS	82	N/A
M220A	84	0.2
M220ASWP90	81	0.4
M220BRB	84	0.19
M220BRB45	85	0.22
M220BRB90	85	0.3
M220BRBSWP90	81	0.4
M220BSP	84	0.2
M220BWASS	83	0.5
M220CPG	83	0.21
M220CPG45	79, 83	0.24
M220CPG6	79, 83	0.27
M220CPG90	83	0.34
M220CR	85	0.58
M220CRSS	85	4.38
M220D	84	0.4
M220FPT	84	0.26
M220MPT	84	0.21
M220MPTSS	84	0.62
M220MPTSWP90	81	0.3
M220P6PRO	162	N/A
M220P6PROW	164, 5	47.4
M220PBW	164, 5	19
M220PH5	162	N/A
M220PH5E	162, 4	N/A
M220PH5EW	164, 5	N/A
M220PH5W	164, 5	N/A
M220PH6	162, 4	N/A
M220PLG	84	0.12
M220PLG075	84	0.11
M220SWFSS	82	0.59
M220SWP90	81	0.2
M220SWP90SS	81	1.64
M220TEE	83	0.52
M220Y45	79, 83	1.32
M220YG45	79, 83	1.34
M221G	79, 85	0.03
M221GSA	82	0.25

Part Number	Page(s)	Weights	Part Number	Page(s)	Weights	Part Number	Page(s)	Weights
M222PBIW	198	N/A	M303D	84	1.5	MEV200SLXR1	59	N/A
M222PI6PROW	198	N/A	M332PBIW	214	N/A	MEV200XR1	55	N/A
M222PIE51W	198	N/A	M332PIE101W	214	N/A	MEV20254A	39, 55	0.25
M222PIE5W	198	N/A	M332PIE10W	214	N/A	MEV20354AB	47, 61	N/A
M222PIH6W	198	N/A	M332PIH13W	214	155	MEV20354AS	47, 59	N/A
M222PIHYW	200	80.2	M332PIHYW	216	N/A	MEV220BLCF	60	8.05
M225PB	162, 4	15.6	M332POIW	214	N/A	MEV220BLXR1	61	N/A
M225PO	162, 4	N/A	MBF100	90	0.9	MEV220CF	54	7
M230P11PRO	166	N/A	MBF100BD	90	1	MEV220SLCF	58	8.13
M230P6PRO	166	N/A	MBF100BDV	90	1	MEV220SLXR1	59	N/A
M230PH6	166	N/A	MBF100V	90	1	MEV220XR1	55	N/A
M300200CPG	83	0.25	MBF150200BD	90	1.39	MEV25101	39, 41, 47, 49, 55, 59, 61	0.34
M300220BRB	84	0.27	MBF150200BDV	90	1.39			
M300220BRB90	85	0.4	MBF200	90	1.37			
M300220CPG	79, 83	0.24	MBF200BD	90	1.39	MEV25102A	39, 41, 47, 49, 55, 59, 61	0.31
M300220MPTSS	84	1.25	MBF200BDV	90	1.39			
M300300HBT	85	1.03	MBF200V	90	1.37			
M300375SWFSS	82	N/A	MBF220	90	1.62	MEV25151	41, 49, 55, 59, 61	N/A
M300A	84	0.35	MBF220BD	90	1.62			
M300ASWP90	81	0.8	MBF220BDV	90	1.62	MEV25254A	41, 55	0.35
M300ASWPG90	81	0.85	MBF220V	90	1.62	MEV25354AB	49, 61	N/A
M300BRB	84	0.49	MBF300	90	2.25	MEV25354AS	49, 59	N/A
M300BRB45	85	0.51	MBF300BD	90	2.32	MEV300CF	56	14
M300BRB90	85	0.78	MBF300BDV	90	2.4	MEVR100CF	54	4.45
M300BRBSWP90	81	1.24	MBF300V	90	2.25	MEVR100SLCF	58	4.75
M300BSP	84	0.41	MBP200	108	0.03	MEVR200CF	54	6.48
M300CPG	83	0.41	MCV100	82	0.13	MEVR200SLCF	58	N/A
M300CPG45	79, 83	0.49	MCV200	82	0.45	MEVR220CF	54	8.06
M300CPG7	79, 83	0.57	MCV221	82	0.5	MEVR220SLCF	58	N/A
M300CPG90	83	0.75	MCV300	82	1.2	MFM100	80	2.75
M300CR	85	1.18	MEV100BLCF	60	5	MFM220	80	2.75
M300FPT	84	0.5	MEV100BLXR1	61	1.75	MFM300	80	5.4
M300MPT	84	0.44	MEV100CF	54	4.57	MHV200	78	0.57
M300MPTSS	84	1.85	MEV100SLCF	58	5	MHV220A	78, 79	0.75
M300MPTSWP90	81	0.63	MEV100SLXR1	59	2.85	MIS220	79	N/A
M300MPTSWPG90	81	0.68	MEV100XR1	55	N/A	MIS300	79	N/A
M300P11PRO	174, 6	N/A	MEV10101	37, 45, 55, 59, 61	0.36	MLEV100	2, 52	0.65
M300P11PROW	176, 7	N/A				MLS100-20	86	0.82
M300P6PRO	174, 6	N/A	MEV10102A	37, 45, 55, 59, 61	N/A	MLS100-40	86	1
M300PB	174, 6	N/A				MLS100-50	86	0.87
M300PBW	176, 7	N/A	MEV10151	37, 39, 45, 47, 55, 59, 61	N/A	MLS100-80	86	0.88
M300PH11W	176, 7	N/A				MLS100B	87	0.66
M300PH6	174, 6	45.4				MLS100BC	87	0.89
M300PH6W	176, 7	49	MEV10254A	37, 55	N/A	MLS200-06	86	2.25
M300PLG	84	0.25	MEV102CF	51	11.16	MLS200-100	86	2.2
M300PLG075	84	0.23	MEV10354AB	45, 61	N/A	MLS200-12	86	2.5
M300PLG100	84	0.2	MEV10354AS	45, 59	N/A	MLS200-120	86	2.15
M300SWFSS	82	1.5	MEV103CF	51	17.16	MLS200-20	86	2.15
M300SWP90	81	0.7	MEV103MB	51	N/A	MLS200-30	86	2.15
M300SWPG90	81	0.75	MEV104CF	51	22.32	MLS200-50	86	3.9
M300TEE	83	1.15	MEV105CF	51	27.9	MLS200-50M	3, 86	2.4
M300Y45	79, 83	3.38	MEV200BLCF	60	6.5	MLS200-80	86	2.15
M300YG45	79, 83	3.13	MEV200BLXR1	61	N/A	MLS200B	87	1.5
M301G	79, 85	N/A	MEV200CF	54	5.75	MLS200BC	87	2.07
M301GSA	82	0.5	MEV200SLCF	58	6.5	MLS2100SS	89	0.54

Part Number	Page(s)	Weights	Part Number	Page(s)	Weights	Part Number	Page(s)	Weights
MLS220C1	89	0.82	MTF300BD	90	2.1	MVSF220SS	68	7.15
MLS220G1	89	0.02	MV100BL	74	1.2	MVSF300	70	3.25
MLS220R1	89	0.45	MV100CF	62	0.75	MVSF300FP	70	4
MLS222-04	88	3.82	MV100SL	76	1.13	MVSF300HSFP	72	6.69
MLS222-06	88	3.82	MV10354B	75	N/A	MVSMT220FP	66	1.75
MLS222-08	88	3.82	MV10354S	77	N/A	MVSMT220HSFP	68	2.9
MLS222-10	88	3.5	MV200BL	74	2	MVSMT220SS	68	7.34
MLS222-100	88	3.7	MV200CF	62	1.92	MVSMT300	70	3
MLS222-16	88	3.7	MV200SL	76	2	MVSMT300HSFP	72	6.73
MLS222-30	88	3.75	MV20354B	75	N/A	MVT220SL	76	2.69
MLS222-50	88	3.75	MV20354S	77	N/A	NIP025-SH	129	0.01
MLS222-80	88	3.7	MV220BL	74	4.63	NIP038-SH	129	0.01
MLS222B	89	1.25	MV220CF	62	3..25	NIP050-3	129	0.04
MLS222BC	89	3.25	MV220SL	76	2.75	NIP050-SH	129	0.02
MLS234G	105	N/A	MV225CF	64	7.3	NIP075-4	129	0.07
MLS234GV	105	N/A	MV25254	67, 69	N/A	NIP075-6	129	0.12
MLS250SS	89	0.6	MV25354B	75	N/A	NIP075-SH	129	0.03
MLS280SS	89	0.57	MV25354S	77	N/A	NIP100-4	129	0.09
MLS300-04	88	8.44	MV300	62	3.9	NIP100-6	129	0.15
MLS300-08	88	8	MV300BL	74	6.6	NIP100-SH	129	0.04
MLS300-12	88	8	MV300CF	62	6	NIP125-4	129	0.13
MLS300-20	88	8	MV301CF	79	N/A	NIP125-6	129	0.21
MLS300-50	88	8.44	MV30264	63	N/A	NIP125-SH	129	0.06
MLS300B	89	5.04	MV35254BL	75	N/A	NIP150-3	129	0.15
MLS300B1	144	4.78	MV35278	75	N/A	NIP150-4	129	0.22
MLS300CAP	144, 89	1.36	MVE002	37, 39, 41, 45, 47, 49, 55, 59, 61	N/A	NIP150-5	129	0.26
MLS300ECG	144, 89	0.03				NIP150-6	129	0.34
MLS300ECGV	144, 89	0.04				NIP150-SH	129	0.12
MLS300G	144, 89	0.03	MVE004	37, 39, 41, 45, 47, 49, 55, 59, 61	N/A	NIP200-4	129	0.25
MLS300GV	144, 89	0.05				NIP200-6	129	0.38
MLST100-100	86	0.75				NIP200-SH	129	0.14
MLST100-16	86	0.75	MVE007	37, 39, 41, 45, 47, 49, 55, 59, 61	N/A	NIP2101	108	0.3
MLST100-30	86	0.75				NIP300-4	129	0.43
MLST100-50	86	0.75				NIP300-6	129	0.7
MLST100-80	86	0.75	MVE104	37, 39, 41, 45, 47, 49, 55, 59, 61	N/A	NIP300-SH	129	0.3
MLST100-H	87	0.45				NIP400-SH	129	1.55
MLST100-HB	87	0.63				PIP0716	65	N/A
MLST150-100	86	2	MVE105	37, 45	N/A	PLUG025	130	0.03
MLST150-16	86	2	MVE106	37, 39, 41, 45, 47, 49, 55, 59, 61	N/A	PLUG038	130	0.03
MLST150-30	86	2				PLUG050	130	0.02
MLST150-50	86	2				PLUG075	130, 79	0.04
MLST150-80	86	2	MVE107	39, 41, 47, 49, 55, 59, 61	N/A	PLUG075S	139	0.02
MLST150-H	87	1.15				PLUG100	130	0.06
MLST150-HB	87	1.75				PLUG125	130	0.09
MLV100V	11	0.13	MVS220CF	66, 79	1.85	PLUG150	130	0.1
MPRV100-050	60	1.45	MVS220FP	66	1.7	PLUG200	130	0.15
MPRV100-075	60	1.45	MVS220HSFP	68	2.85	PLUG300	130	0.44
MPRV100-100	60	1.5	MVS220SS	68	6.63	PV07256	31	0.2
MPRV100-125	60	1.53	MVS300CF	70	3	PV07257	31	0.07
MPRV100-150	60	1.45	MVS300CFPP	70	3.75	PV07257B	31	0.52
MSUV100FP	3, 30	0.5	MVS300HSFP	72	6.32	PV075	31	0.53
MSW220	82	0.38	MVS30254	71	N/A	PV075V	31	0.57
MTF220	90	N/A	MVS35254	71, 73	N/A	PV100	31	0.52
MTF220BD	90	0.75	MVSF220FP	66	1.8	PV100-075	31	0.64
MTF300	90	2.15	MVSF220HSFP	68	2	PV100-075B	31	0.63

Part Number	Page(s)	Weights	Part Number	Page(s)	Weights	Part Number	Page(s)	Weights
PV100-075BV	31	0.24	SL050-90	131	0.06	TEG100	130	0.21
PV100-075V	31	0.35	SL075-45	131	0.07	TF038SS	114	0.25
PV100V	31	0.4	SL075-90	131	0.08	TF050	114	0.25
PV10254	31	0.24	SL100-45	131	0.1	TF050SS	114	0.8
PV10265	31	0.07	SL100-90	131	0.13	TF050V	114	0.22
PV10265V	31	0.2	SL125-45	131	N/A	TF073	114	0.07
RB038-025	129	0.01	SL125-90	131	N/A	TF075	114	0.2
RB050-018	129	N/A	SL150-45	131	0.25	TF075SS	114	1.15
RB050-025	129	0.02	SL150-90	131	0.25	TF075V	114	0.22
RB050-038	129	0.01	SL200-45	131	0.34	TF100	114	0.35
RB075-018	129	0.04	SL200-90	131	0.41	TF100AV	115	0.32
RB075-025	129	0.04	SL300-45	131	0.85	TF100SS	114	2.85
RB075-038	129	0.03	SL300-90	131	1.05	TF100V	114	0.4
RB075-050	129	0.03	ST200	116	0.77	TF103	114	0.09
RB100-018	129	0.07	ST300	116	1.27	TF125	114	0.35
RB100-025	129	0.07	SUV050FP	30	N/A	TF125AV	115	0.68
RB100-050	129	0.05	SUV075FP	30	N/A	TF125SS	114	1.92
RB100-075	129	0.04	SUV100FP	30	0.4	TF125V	114	0.66
RB125-038	129	0.11	SUV125FP	30	0.88	TF138GV	114	N/A
RB125-075	129	0.09	SUV150FP	30	0.88	TF150	114	0.63
RB125-100	129	0.07	SUV200FP	30	1.45	TF150AV	115	0.68
RB150-075	129	0.12	SW100	133	0.09	TF150SS	114	4.38
RB150-100	129	0.1	SW150	133	0.2	TF150V	114	0.55
RB150-125	129	0.1	SW200	133	0.31	TF153	114	N/A
RB200-075	129	0.18	SW220	133	0.5	TF200	114	0.55
RB200-100	129	0.17	TA283	111	0.14	TF200AV	115	0.6
RB200-125	129	0.14	TA283QD	111	0.14	TF200BSP	114	N/A
RB200-150	129	0.12	TC120	128	0.1	TF200SS	114	3.6
RB300-150	129	0.51	TC130	128	0.1	TF200V	114	0.56
RB300-200	129	0.5	TC150	128	0.11	TF220	114	0.82
RB400-300	129	1	TC162	128	0.12	TF220G	114	0.03
RC100-075	129	0.15	TC181	128	0.12	TF220GV	114	0.05
RC150-100	129	0.2	TC193	128	0.12	TF220SS	114	5.27
RC150-125	129	0.2	TC206	128	0.12	TF220V	114	0.82
RC200-050	129	0.25	TC218	128	0.13	TF223	114	0.2
RC200-100	129	0.26	TC224	128	0.14	TF300	114	2
RC200-125	129	0.26	TC231	128	0.15	TF300BSP	114	N/A
RC200-150	129	0.26	TC250	128	0.16	TF300G	114	0.07
RC300-200	129	0.62	TC287	128	0.17	TF300GV	114	0.1
RN050-038	129	0.02	TC312	128	0.17	TF300SS	114	7.9
RN075-050	129	0.03	TC331	128	0.17	TF300V	114	2
RN100-050	129	0.04	TC343	128	0.17	TF303	114	N/A
RN100-075	129	0.06	TC425	128	0.18	TF400	114	4.5
RN125-075	129	0.08	TC438	128	0.36	TF400G	114	N/A
RN125-100	129	0.08	TC456	128	0.37	TF400GV	114	0.7
RN150-100	129	0.12	TEE025	130	0.04	TF400V	114	N/A
RN150-125	129	0.14	TEE038	130	0.05	TF403	114	N/A
RN200-125	129	0.17	TEE050	130	0.1	TL101	116	1.7
RN200-150	129	0.17	TEE075	130	0.14	TL600	110	0.45
RN300-200	129	0.36	TEE100	130	0.21	TL600C	110	0.5
RS21	133	0.91	TEE125	130	0.32	TL650E	110	0.5
RSTB	133	0.87	TEE150	130	0.45	TL650S	110	0.5
RSTB-2	133	0.1	TEE200	130	0.6	TL651E	110	0.57
SL025-90	131	0.03	TEE300	130	1.58	TL651S	110	0.7
SL038-90	131	0.03	TEG075	130	0.2	TL652E	110	0.5

Part Number	Page(s)	Weights	Part Number	Page(s)	Weights	Part Number	Page(s)	Weights
TL652EPA	110	0.65		165, 167,			183, 185,	
TL652S	110	0.63		169, 171,			187, 189,	
TL6531	110	0.07		173, 175,			191, 193,	
TLA10	116	2.58	V07019	13, 147,	0.03		197, 215,	
TLV1	116	0.04		149, 151,			221, 223,	
TLV10R	116	1.5		153, 155,		V10151A	13, 27, 63,	
TLV2	116	0.02		157, 159,			75, 77	
TLVA10	116	2.25		161, 163,		V10153138	12	0.14
TM075/050	133	0.28		165, 167,		V10153138BL	12	0.14
TR10	116	0.92		169, 171,		V10153A	13, 27, 29,	0.06
TR10R1	116	0.81		173, 175,			63	
UB100	83	0.25	V07021A	13, 29, 63,	0.01	V10155	13, 63	0.07
UB202	83	0.26		75, 77		V10159	13, 27, 63,	0.01
UB220	83	0.32	V07060	13, 29	0.01		75, 77	
UV050FP	30	0.25	V07151A	13, 29	0.02	V10161	29	0.18
UV075FP	30	0.25	V07155	13, 29	0.04	V10163	13, 27, 63,	0.01
UV100FP	30	0.4	V07159	13, 29	0.01		75, 77	
UV10150	29	0.04	V07163	13, 29	0.01	V10200	13, 63	0.12
UV10151	29	0.01	V07200	13, 29	0.07	V10254	13, 63	0.16
UV10153	29	0.01	V07254	13, 29	0.13	V10256	13	0.19
UV10163	29	0.01	V07256	13, 29	0.07	V10257	13, 27	0.22
UV10254	29	0.16	V07257	13	0.07	V10258	27	0.03
UV10255	29	0.02	V07258A	13, 29	0.02	V10258A	13, 63	0.04
UV10256	29	0.02	V07264	13, 29	0.01	V10264	13, 219, 27,	0.02
UV10258	29	0.01	V07354B	27	N/A		63	
UV10264	29	0.01	V07354S	27	0.33	V10270	12, 13	0.1
UV10264V	135	0.02	V07357	27	N/A	V10271	12, 13	0.13
UV125FP	30	1	V075	12	0.75	V10278	63	0.25
UV150FP	30	N/A	V075BL	26	1.35	V10353TB	27, 75	0.09
UV15163	137, 141, 147, 149, 151, 153, 155, 161, 165, 171, 177, 179, 181, 183, 185, 187, 189, 199, 201, 203, 205, 207, 209, 215, 217, 221, 223, 225, 227, 229, 231, 233, 87	0.01	V075SL	26	1.35	V10353TS	27, 77	0.07
			V100	12	0.7	V10354B	27	0.25
			V10020A	13, 29, 63, 75, 77	0.02	V10354S	27	0.25
			V10060	13, 27, 63, 75, 77	0.01	V10355B	27, 75	0.07
			V100BL	26	1.25	V10355S	27, 77	0.06
			V100FP	12	1.16	V125	12	1.25
			V100SL	26	1.31	V125BL	26	2.25
			V10117	13, 199, 217, 37, 45, 55, 59, 61, 63, 75, 77	N/A	V125FP	12	1.91
						V125SL	26	2.07
			V10118	13, 171, 179, 181, 183, 185, 187, 189, 191, 193, 195, 197, 199, 201, 207, 215, 217, 221, 223, 225, 227, 37, 43, 45, 55, 57, 59, 61, 63, 65, 75, 77	0.01	V150	12	1.87
						V150BL	26	2
						V150SL	26	2
						V200	12	1.88
						V20010	17	N/A
UV15163V	137, 141, 149, 153, 157, 159	0.01				V20010SS	19, 21, 23, 25, 67, 69, 71, 73, 93, 95, 97	0.07
UV200FP	30	N/A				V20011SS	211, 213, 219	0.04
UV204FPFD	108	1.5						
UVA100FP	28	0.54				V20017	13, 29, 39, 47, 55, 59, 61, 63, 75, 77	0.13
V050	12	0.75						
V05256	13	0.13				V20018	13, 15, 17, 23, 25, 29, 39, 41, 43, 47, 49, 55, 57, 59, 61,	0.02
V07017	13, 29	N/A	V10119	13, 37, 43, 45, 55, 57, 59, 63, 65, 75, 77, 157, 159, 171, 179, 181,	0.01			
V07018	13, 147, 149, 151, 153, 155, 157, 159, 161, 163,	0.02						

Part Number	Page(s)	Weights	Part Number	Page(s)	Weights	Part Number	Page(s)	Weights
	63, 67, 69, 71, 73, 75, 77, 93, 95, 97, 157, 159, 161, 173, 187, 189, 19, 195, 201, 203, 205, 207, 209, 21, 211, 213, 219, 225, 227, 229, 231, 233,		V20258A	13, 29, 63, 93, 95	0.04		65, 71, 73, 75, 77	
V20019	13, 15, 17, 19, 195, 203, 205, 207, 209, 21, 229, 23, 231, 233, 25, 29, 39, 41, 43, 47, 49, 55, 57, 59, 61, 63, 67, 69, 71, 73, 75, 77, 93, 95, 97	0.01	V20261	29	0.7	V25165	29	0.34
V20020	13, 19, 21, 29, 63, 67, 75, 77, 93, 95	0.02	V20262	29	0.75	V25200	15, 29, 63	0.43
V20021	13, 19, 21, 29, 63, 67, 75, 77, 93, 95	0.02	V20264	13, 27, 29, 63	0.02	V25214V	21, 67, 69	0.02
V20060	13, 19, 21, 27, 29, 63, 67, 69, 75, 77, 93, 95	0.01	V20267	13, 27	0.3	V25245	17	N/A
V200BL	26	2.8	V20291	95	N/A	V25254	15, 17, 29, 63	0.35
V200FP	14	3.25	V20294	63, 95	0.32	V25255A	15, 17, 29, 63	0.25
V200SL	26	2.75	V20344B	27	0.4	V25256	15, 29	0.45
V20151M	13, 27, 29, 63, 75, 77	0.07	V20344S	27	N/A	V25258	27, 75, 77	0.03
V20152	29	0.14	V20353C	13, 75, 77, 93, 95	0.03	V25258A	15, 17, 29, 63	0.05
V20153	13, 27, 63	0.2	V20353T	13	0.2	V25261	29	0.95
V20153138	12	0.22	V20353TB	27, 75	0.07	V25264	15, 17, 27, 29, 41, 49, 55, 59, 61, 63, 75, 77	0.02
V20153138BL	12	0.23	V20353TS	27	N/A	V25270	12, 14, 15	0.25
V20153SH	77	0.2	V20354B	27	N/A	V25271	12, 14, 15	0.4
V20159	13, 27, 29, 63, 75, 77	0.02	V20354S	27	0.32	V25353B	27, 75	0.25
V20163	13, 27, 29, 63, 75, 77	0.01	V20355B	27, 75	0.2	V25353TB	27, 75	0.13
V20166	29	0.27	V20355S	27, 77	0.1	V25353TS	27, 77	0.2
V20200	13, 29, 63	0.22	V20394	75, 77	N/A	V25354B	27	N/A
V20207	101, 103, 111, 121, 124, 99	0.06	V204FP	16	2.71	V25354S	27	0.5
V20207A	93, 95	0.02	V21204	19, 67, 93, 95	0.02	V25355B	27, 75	0.32
V20254	13, 29, 63	0.23	V21204V	93, 95	0.02	V25355S	27, 77	0.38
V20255A	13, 29, 63	0.16	V25017	15, 17, 29, 41, 49, 55, 59, 61, 75, 77	0.13	V25356	27	0.35
V20256	13, 29	0.25	V25020	15, 17, 23, 25, 29, 63, 65, 71, 75, 77, 97	0.03	V25378	75, 77	N/A
V20257	13, 27, 29	0.25	V25060	15, 17, 25, 27, 29, 43, 57, 63, 65, 73, 75, 77, 97	0.01	V25456	17	0.45
V20257B	93	N/A	V25121	15, 17, 23, 25, 29, 63, 65, 71, 75, 77, 97	0.03	V25478	63	N/A
V20258	101, 103	0.05	V25151B	15, 17, 27, 29, 63, 65, 75, 77	0.07	V25502	65, 97	N/A
			V25152	29	0.28	V25503	65	N/A
			V25153	15, 17, 23, 25, 63, 71	0.28	V25508	65	N/A
			V25153138	12	0.16	V25553AX	65	N/A
			V25153138BL	12	0.16	V25554AX	65	N/A
			V25153SH	15, 17, 27, 77	N/A	V25555	65	N/A
			V25160	15, 17, 23, 25, 27, 29, 43, 57, 63, 65, 71, 73, 75, 77	0.02	V25558D	65	N/A
			V25163	15, 17, 23, 25, 27, 29, 43, 57, 63,	0.01	V25578AX	65	N/A
						V300	14	3.75
						V30017	15, 63	0.23
						V300FP	14	5.33
						V30151	15	N/A
						V30151B	71	N/A
						V30200	15, 63	0.59
						V30254	15, 63	0.59
						V30255	15, 63	0.48
						V30258A	15, 63	0.01
						V30264	15	0.62
						V30265	15, 23, 63, 71	0.01
						V35017	15, 43, 57, 63	0.63
						V35018	43, 57, 75	N/A

Part Number	Page(s)	Weights	Part Number	Page(s)	Weights	Part Number	Page(s)	Weights
V35200	15, 63	1.42	VE20255SSH	39, 55	N/A	VN10270	29	N/A
V35254	15, 43, 57, 63	1.42	VE20256A	39, 47	N/A	VN10271	29	N/A
V35255A	15, 25, 43, 57, 63, 71, 97	0.8	VE20257A	39, 47	N/A	VN10273	29	N/A
V35255ASS	25, 73	N/A	VE20258A	101, 103, 27, 39, 47, 55, 59, 61, 75, 77	0.05	VN10274	29	N/A
V35255BL	75	N/A	VE20264	39, 47, 55, 59, 61, 75, 77	0.02	VRH200K	12	0.17
V35258A	15, 63, 75, 97	0.07	VE20294A	55, 59, 61	N/A	VRH220K	14	0.18
V35264	15, 43, 97	2.58	VE20355	47, 59, 61	N/A	VS20021	21, 69	N/A
V35264BL	75	N/A	VE25255SSH	41, 55	N/A	VS20101SS	21, 69	N/A
V35265	15, 25, 43, 57, 63, 71, 73, 97	0.02	VE25258A	41, 49, 55, 59, 61	N/A	VS20102SS	21, 69	N/A
V35278	57, 63	1	VE25355	49, 59, 61	N/A	VS20151	19, 21, 67, 93, 95	0.04
V400	14	8.5	VE25356A	41, 49	N/A	VS20151SS	21, 69	N/A
V40017	15	N/A	VE25378A	55, 59, 61	N/A	VS20152SH	19, 67	0.08
V40200	15	4.2	VE30022	43, 57	N/A	VS20163	21, 69	N/A
V40254	15	2	VE30121	43, 57	N/A	VS20200	109, 19, 67	1.29
V40255	15	1.8	VE30151SS	43, 57	N/A	VS20209	108	N/A
V40264	15	1.2	VE35188	43, 57	N/A	VS20255	19, 67	0.2
V40265	15	0.03	VE35189	43, 57	N/A	VS20256	19	0.25
VA100	28	0.8	VE35258A	43, 57	N/A	VS20258A	19, 67	0.02
VA150	28	2.58	VE4983	37, 55, 59	N/A	VS20294	67	N/A
VA200	28	0.25	VE4984	37, 45, 55, 59, 61	N/A	VS204FP	20	1.73
VA200/150	28	N/A	VE4987	39, 41, 47, 49, 55, 59, 61	N/A	VS25151B	17, 23, 25, 71	N/A
VA200FP	28	3.83	VE4988	39, 41, 55, 59	N/A	VS25151C	97	N/A
VC200	115	0.17	VE5630	43, 55, 57	N/A	VS25153	21, 67	0.2
VC230	115	0.26	VF20254	19, 67	N/A	VS25153SS	21, 69	N/A
VC300	115	0.68	VF25254	21, 67, 69	N/A	VS25255	21, 67	N/A
VC330	115	0.68	VF25256	15, 17	0.57	VS25255SS	21, 69	N/A
VE07357A	37, 45	N/A	VF25356	17	0.5	VS25258AR1	21, 67, 69	N/A
VE10155SSH	37, 55	0.2	VFB201	109	2.38	VS25356	21	N/A
VE10256A	37, 45	N/A	VFMT200FP	14	2.9	VS25378	67, 69	N/A
VE10257A	37, 45	N/A	VFMT200FPPH	14	3.17	VS30021	25, 73	N/A
VE10258A	37, 45, 55, 59, 61, 75, 77	0.05	VFMT204FP	16	3.33	VS30101SS	25, 73	N/A
VE10264	37, 45, 55, 59, 61, 75, 77	0.02	VFT25254	21, 67	N/A	VS30102SS	25, 73	N/A
VE10278A	55, 59, 61, 75, 77	N/A	VL20153	12	0.35	VS30151SS	25, 73	N/A
VE10355	45, 59, 61	N/A	VL25153	14	0.41	VS30254	23	N/A
VE107B	37, 39, 41, 45, 47, 49, 55, 59, 61	0.02	VMT20254	19, 67	N/A	VS30255	23, 71	N/A
VE109E	37, 39, 41, 45, 47, 49, 55, 59, 61	N/A	VMT25256	15, 17	0.5	VS30258	23, 71	N/A
VE15220	37, 39, 41, 45, 47, 49, 55, 59, 61	N/A	VMT25356	17	N/A	VS30278	71	N/A
			VN100	28	0.72	VS35258	25, 71, 73	N/A
			VN10200	29	0.06	VS35278	71, 73	N/A
			VN10253	29	N/A	VSF200	18	1.25
			VN10254	29	N/A	VSF200CF	66	1.5
			VN10263	29	N/A	VSF200PPAF	16	3.05
			VN10264	29	N/A	VSF202MR	108	1.7
			VN10265	29	N/A	VSF204FP	20	1.75
			VN10269	29	N/A	VSF300	22	3.5
						VSF30264	23, 71	N/A
						VSF35254	25, 71, 73	N/A
						VSF201	109	1.75
						VSFHB200	18	1.45
						VSFMT200	109, 18	1.45
						VSFMT204FP	20	1.85
						VSFMT204HSFP	20	2

BRITISH PIPE THREAD

PART NO	DESCRIPTION	PAGE NO.
DM100ABSS	1" Stainless Steel Male Dry Mate with British Standard Pipe Thread & All PTFE Seals	98
DM100DBSS	1" Stainless Steel Female Dry Mate with British Standard Pipe Thread & FKM (viton type) Face Seal	98
DM100DBSSE	1" Stainless Steel Female Dry Mate with British Standard Pipe Thread & EPDM Face Seal	98
DM100DBSST	1" Stainless Steel Female Dry Mate with British Standard Pipe Thread & Kalrez Face Seal	98
DM150AB	1½" Poly Male Dry Mate with British Standard Pipe Thread & FKM(viton type) Face Seal	92
DM150ABSS	1½" Stainless Steel Male Dry Mate with British Standard Pipe Thread & All PTFE Seals	100
DM150DB	1½" Poly Female Dry Mate with British Standard Pipe Thread	92
DM150DBSS	1½" Stainless Steel Female Dry Mate with British Standard Pipe Thread & FKM (viton type) Face Seal	100
DM150DBSSE	1½" Stainless Steel Female Dry Mate with British Standard Pipe Thread & EPDM Face Seal	100
DM150DBSST	1½" Stainless Steel Female Dry Mate with British Standard Pipe Thread & Kalrez Face Seal	100
DM200AB	2" Poly Male Dry Mate with British Standard Pipe Threads & FKM (viton type) Face Seal	94
DM200ABSS	2" Stainless Steel Male Dry Mate with British Standard Pipe Thread	102
DM200DB	2" Poly Female Dry Mate with British Standard Pipe Threads & FKM (viton type) Face Seal	102
DM200DBSS	2" Stainless Steel Female Dry Mate with British Standard Pipe Thread & FKM (viton type) Face Seal	102
DM200DBSSE	2" Stainless Steel Female Dry Mate with British Standard Pipe Thread & EPDM Face Seal	102
DM200DBSST	2" Stainless Steel Female Dry Mate with British Standard Pipe Thread & Kalrez Face Seal	102
DM220ABSS	2" Male x BSP Threads w/PTFE Seals	104
DM220DBSS	2" FP Female x BSP Threads	104
DM220DBSSE	2" FP Female x BSP Threads w/EPDM Seals	104
DM220DBSSTS	2" FP Female x BSP Threads w/ TFE Encap O-Ring/ TFE Encap O-Ring	104
M100BSP	1" Manifold Flange x 1" Male British Standard Pipe Thread	84
M200BSP	2" Manifold Flange x 2" Male British Standard Pipe Thread	84
M220BSP	2" Full Port Manifold Flange x 2" Male British Standard Pipe Thread	84
M300BSP	3" Full Port Manifold Flange x 3" Male British Standard Pipe Thread	84
NIP2101	2" NPT x British Standard Pipe Thread-White	108
TF200BSP	2" Poly Bulkhead British Standard Pipe Thread Tank Fitting	114
TF300BSP	3" Poly Bulkhead British Standard Pipe Thread Tank Fitting	114





Banjo Corporation
150 Banjo Drive
Crawfordsville, Indiana 47933 USA
ph: 765-362-7367
fax: 800-458-0232 or 765-362-0744
banjoorders@idexcorp.com
banjosales@idexcorp.com
www.banjocorp.com



*Scan this QR code
with your smart phone
to go to our website
for more info & videos!*

